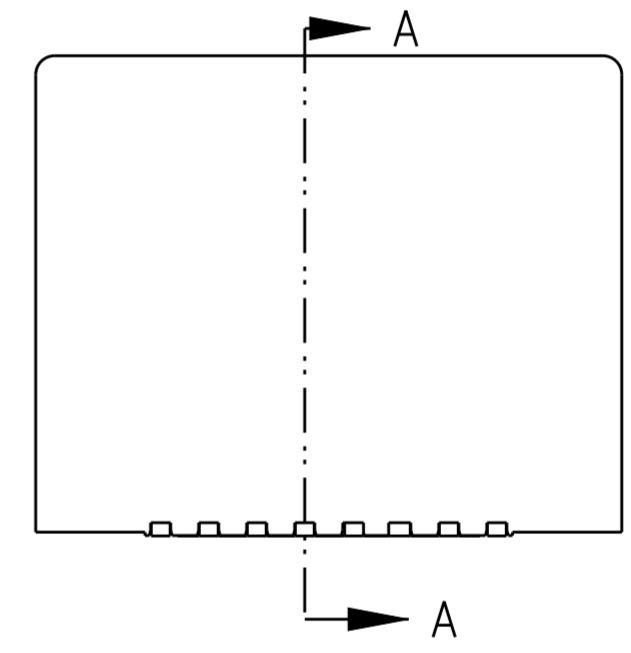
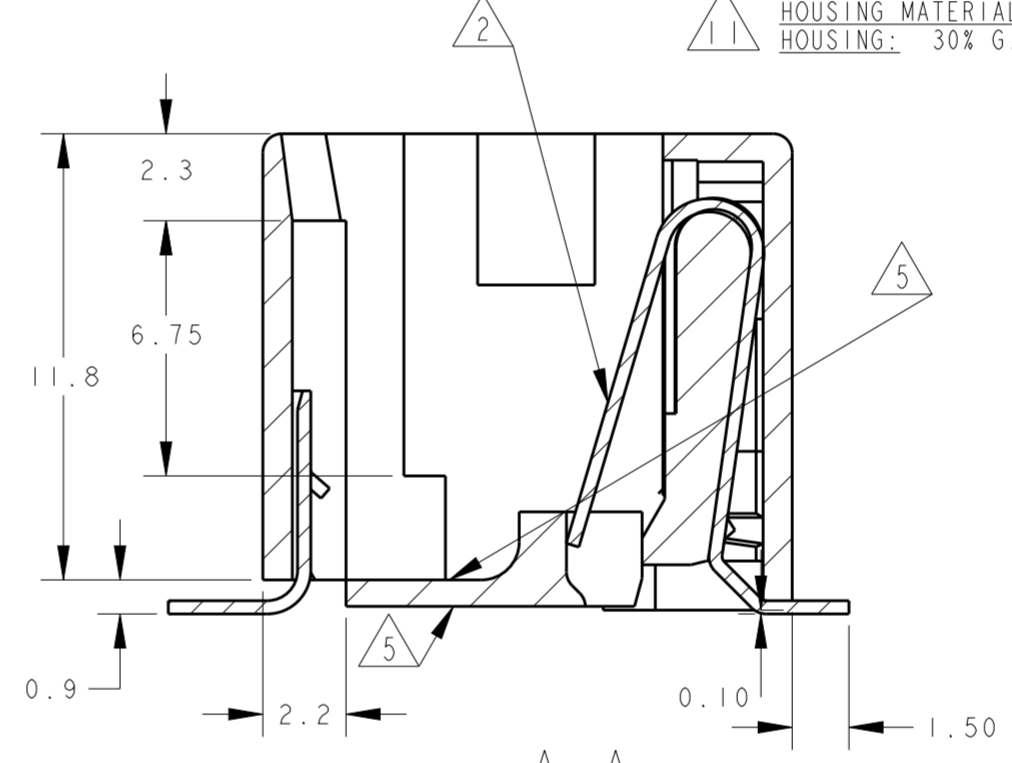
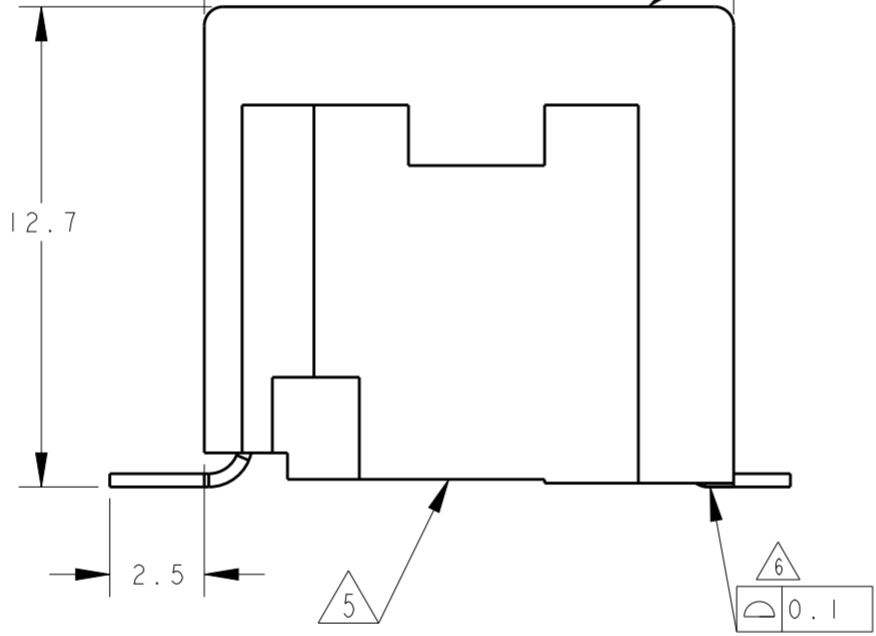
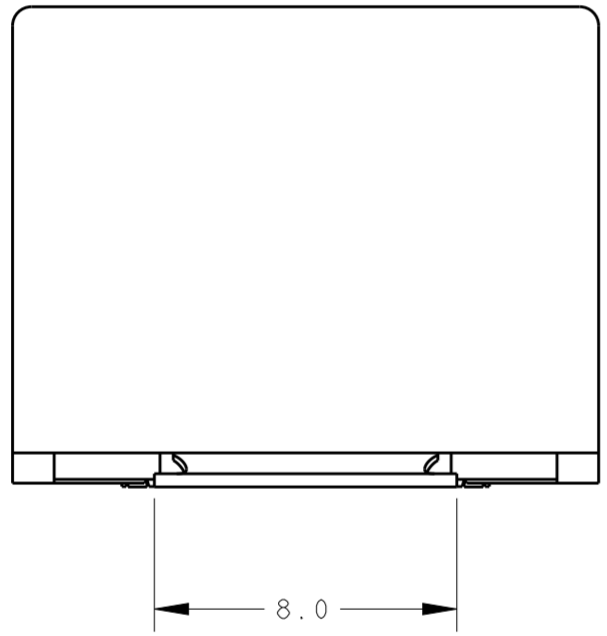
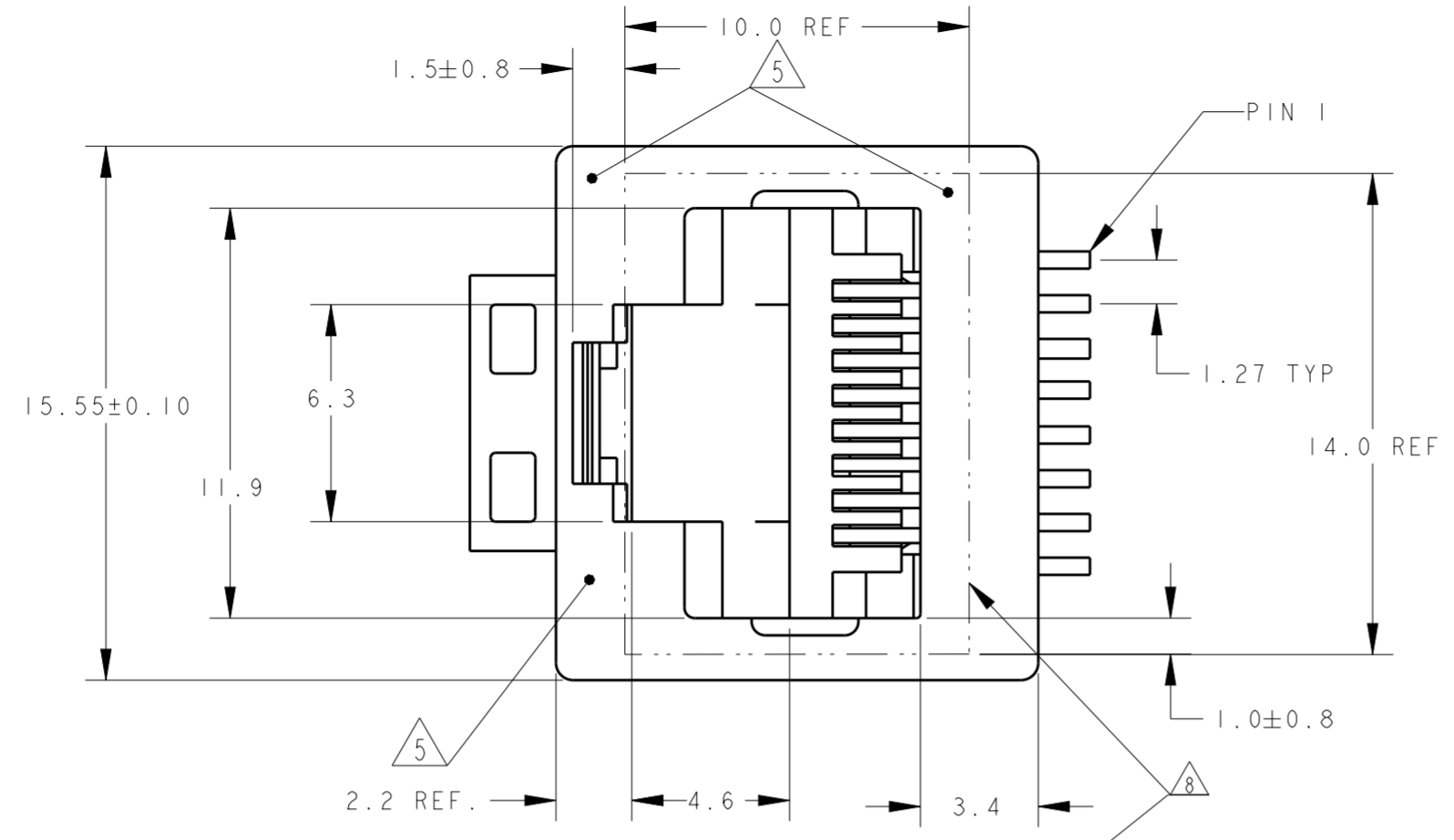
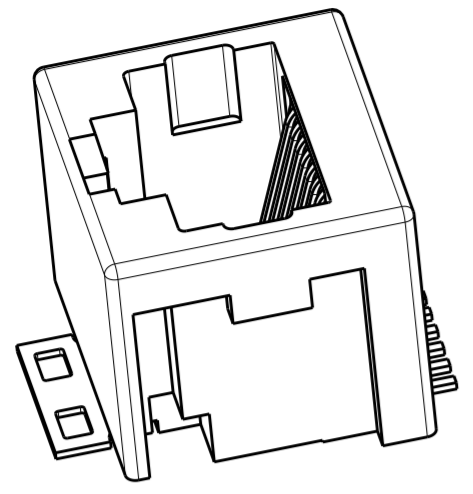


THIS DRAWING IS UNPUBLISHED. RELEASED FOR PUBLICATION  
 © COPYRIGHT - TE CONNECTIVITY ALL RIGHTS RESERVED.

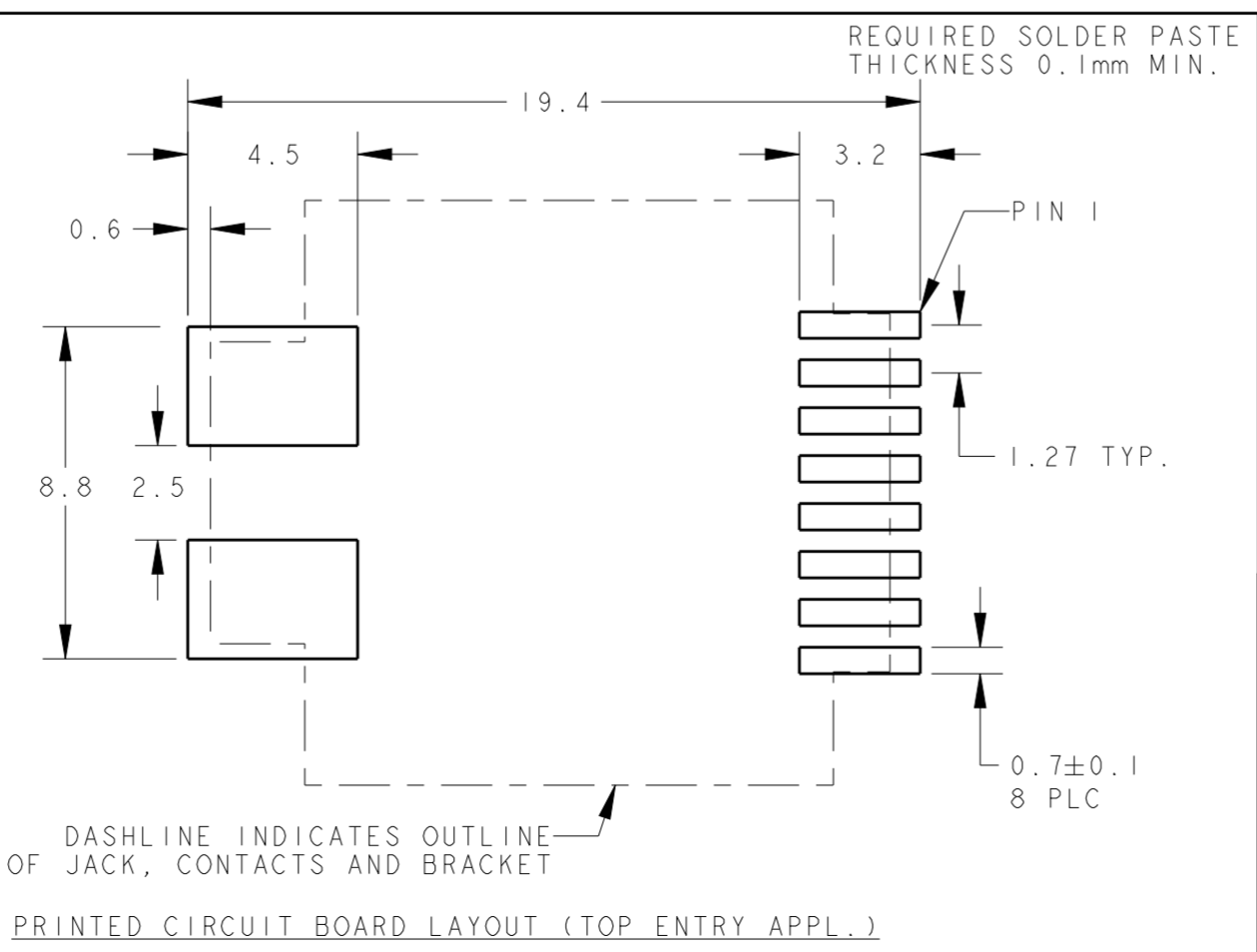
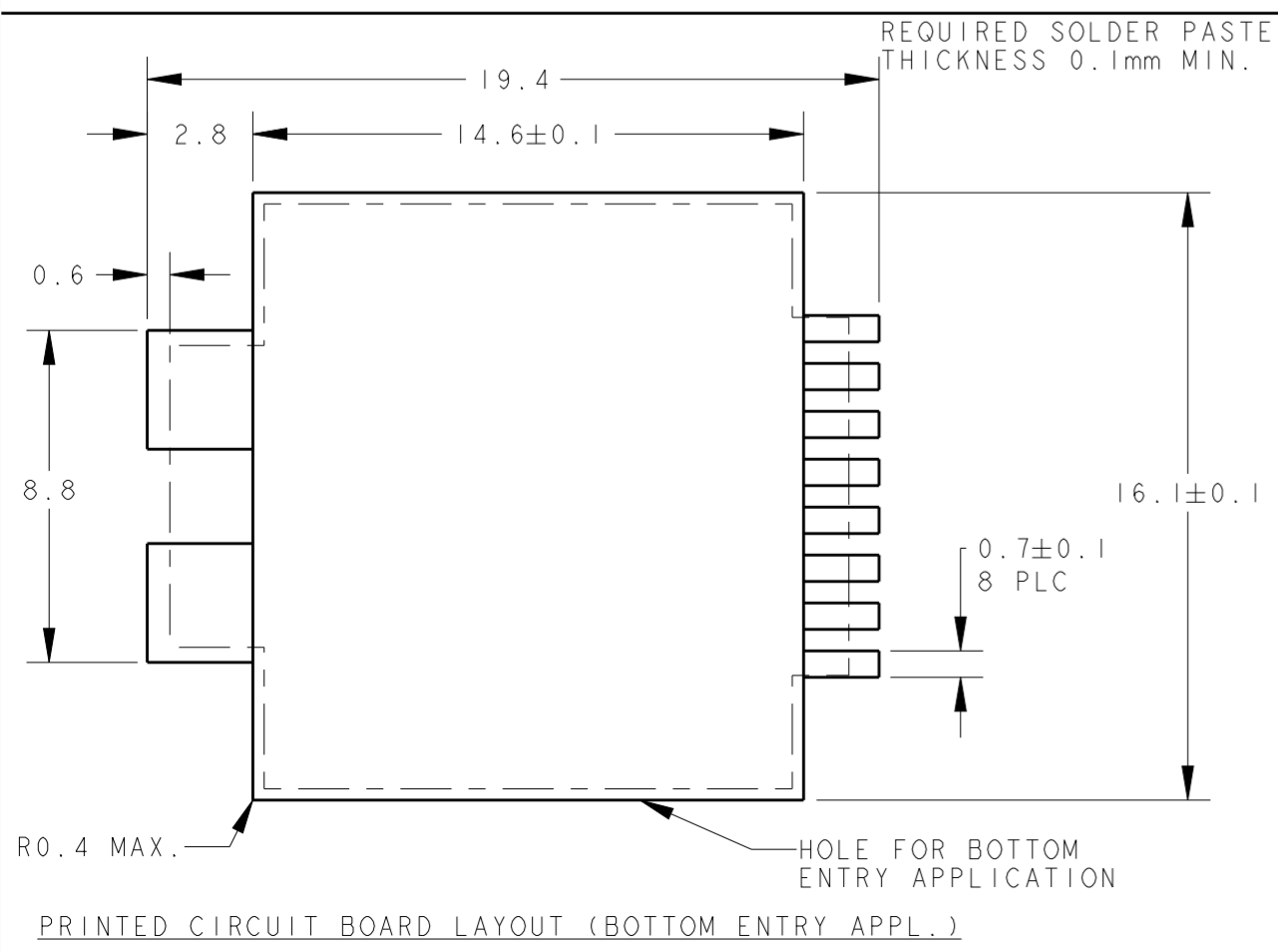
LOC		DIST		REVISIONS			
P	LTR	DESCRIPTION	DATE	DWN	APVD		
	Y	ECO-11-025237	06JAN2012	PS	RRP		
	Y1	E-14-013001	01SEP2014	CW	SH		
	Y2	ECO-16-001320	13JUN2016	AD	SH		



- NOTES:
- TOLERANCES UNLESS OTHERWISE SPECIFIED: ±0.15.
  - CONTACT PLATING:  
OVERALL: Ni 1.27µm MIN. ALL OVER THE CONTACTS  
SOLDER ZONE: Sn 3.5-5.0µm ON THE SOLDER ZONE OF THE CONTACT  
MATING ZONE: PLATING CONFIRMS TO PRODUCT REQUIREMENTS AS PER SPECIFICATION 108-19117
  - CONTACT AND BRACKET MATERIAL:  
CONTACTS: PHOSPHOR BRONZE  
SOLDER BRACKET: TINPLATED BRASS WITH NICKEL UNDERLAYER.
  - THIS JACK CAN ALSO BE APPLIED HANGING THROUGH A HOLE, IN A PRINTED CIRCUIT BOARD. SEE LEFT PCB LAYOUT.
  - SURFACE CAN BE USED FOR PICKING THE MODULAR JACK WITH, TYPE 11 SMD MACHINE.
  - MEASURED AT HEEL OF CONTACTS, COPLANARITY AT TIPS MAX. 0.18mm.
  - TAPE AND REEL PACKAGING ACCORDING TO EIA 481-3 SPECIFICATIONS.
  - INCLUDES KAPTON TAPE (10mm x 14mm) ON TOP SURFACE FOR PICK AND PLACE UNIT
  - OBSOLETE
  - HOUSING MATERIAL:  
HOUSING: 30% G.F. PA4T(HALOGEN FREE), COLOR BLACK, UL 94V-0.
  - HOUSING MATERIAL:  
HOUSING: 30% G.F. LCP(HALOGEN FREE), COLOR BLACK, UL 94V-0.

SECTION A - A

REMARKS	PACKAGING	PART NUMBER
8 POSN./8 CONTACT 250PCS ON Ø360mm OD REEL TOP ENTRY ORIENTATION PER DETAIL B1 WITH KAPTON TAPE FOR PICK AND PLACING	△11	4-338088-3
8 POSN./8 CONTACT 250 PCS ON Ø360mm OD REEL TOP ENTRY ORIENTATION PER DETAIL B1	△11	3-338088-3
8 POS./8 CONTACT 250PCS ON Ø360mm OD REEL TOP ENTRY ORIENTATION PER DETAIL B1 WITH KAPTON TAPE FOR PICK AND PLACING	△11	1-338088-6
8 POSN./8 CONTACT 250 PCS ON Ø360mm OD REEL BOTTOM ENTRY ORIENTATION PER DETAIL B2	△9	1-338088-5
8 POSN./8 CONTACT 500 PCS ON Ø560mm OD REEL TOP ENTRY ORIENTATION PER DETAIL B1	△11	2-338088-3
8 POSN./8 CONTACT 250 PCS ON Ø360mm OD REEL TOP ENTRY ORIENTATION PER DETAIL B1	△11	1-338088-3



THIS DRAWING IS A CONTROLLED DOCUMENT.

DWN: E.v.FLJK 30-Sep-96  
 CHK: E. STELLINGA Dec-96  
 APVD: R. SMEETS  
 PRODUCT SPEC: 108-19117  
 APPLICATION SPEC: 114-19041  
 MATERIAL: SEE NOTE 3-  
 FINISH: SEE NOTE 2-  
 WEIGHT: 2.1 gr  
 CUSTOMER DRAWING

**STE** TE Connectivity

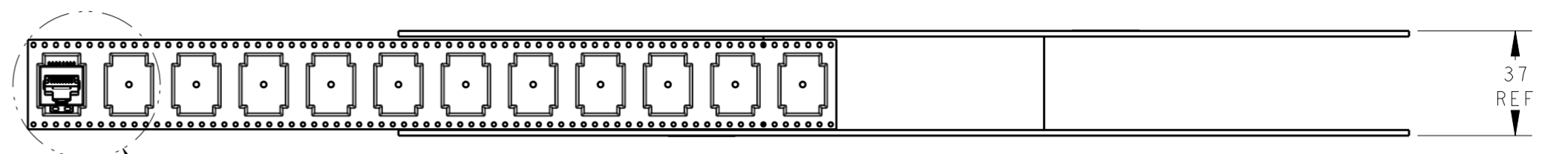
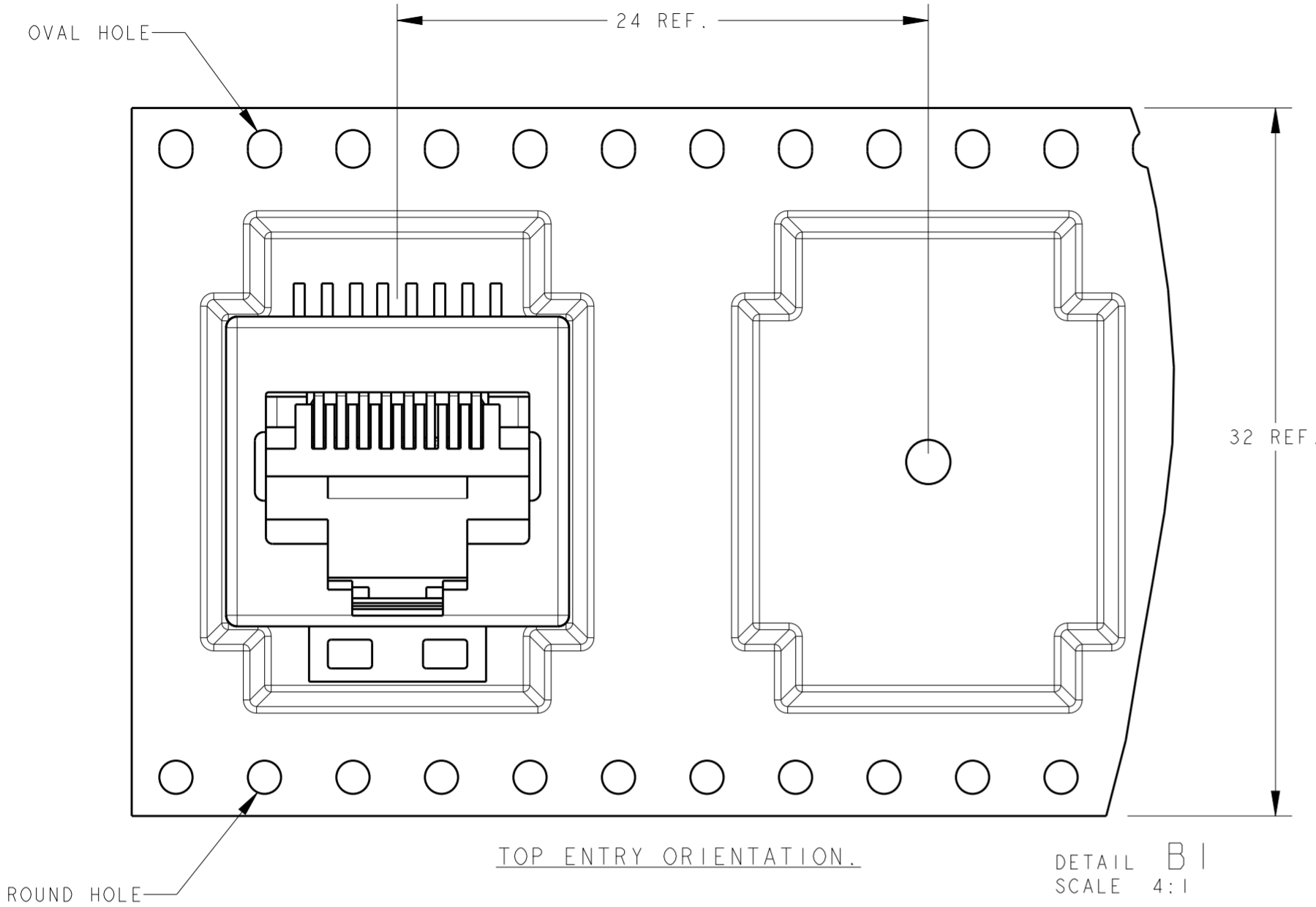
NAME: INVERTIBLE MODULAR JACK, 8 POSITION SURFACE MOUNT APPLICATION

SIZE: A2 CAGE CODE: 0779 DRAWING NO: C-338088 RESTRICTED TO: -

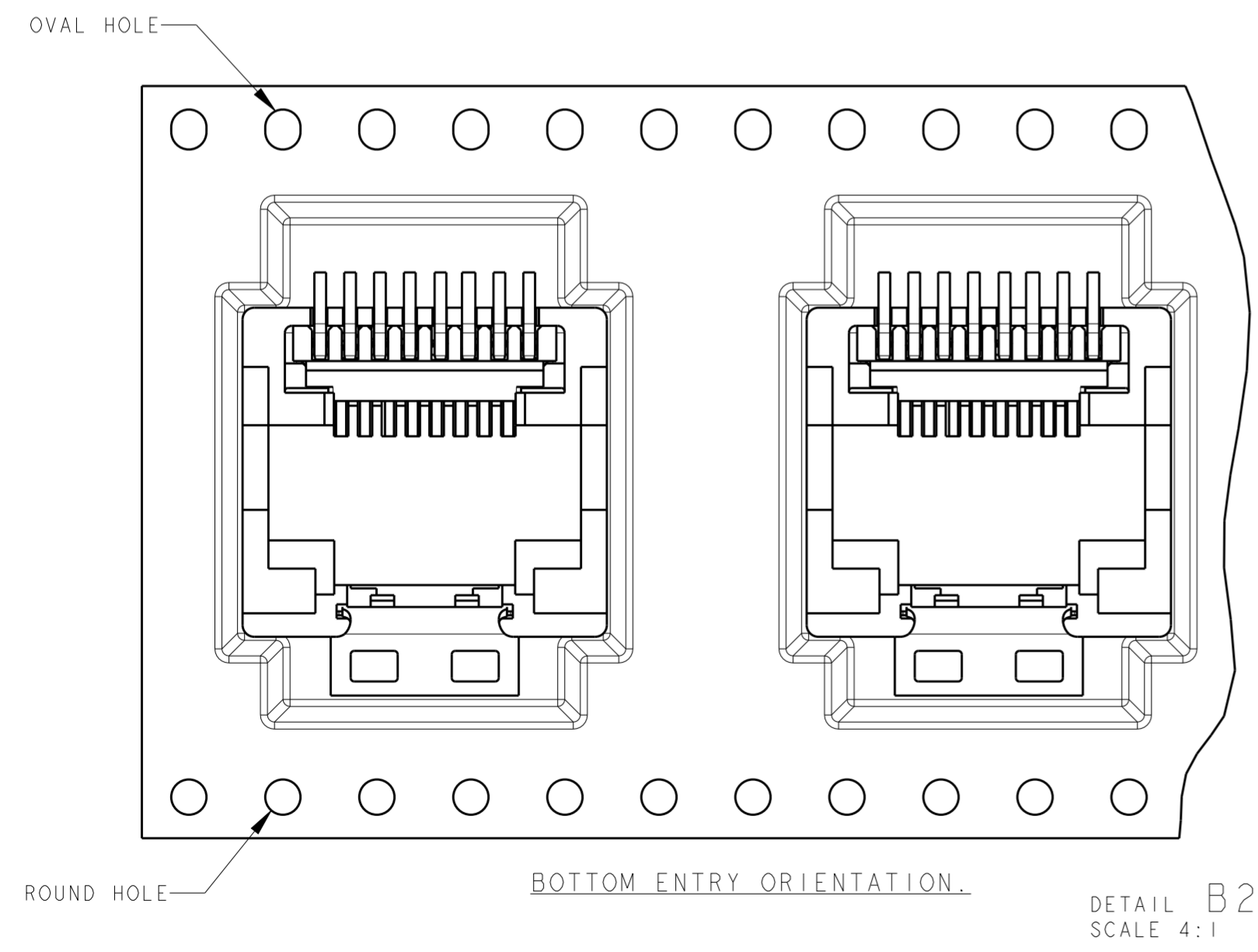
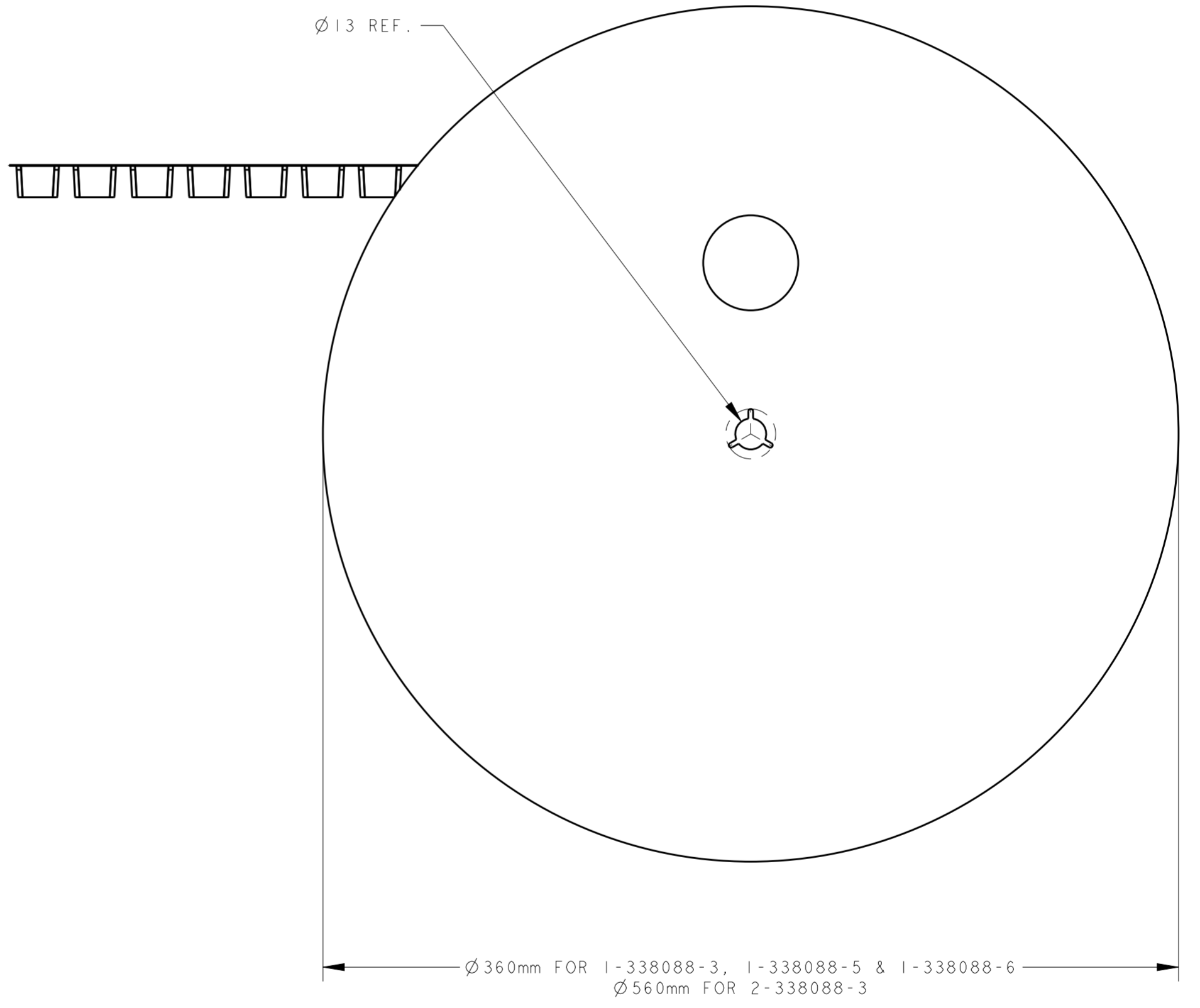
SCALE: 5:1 SHEET 1 OF 2 REV Y2

THIS DRAWING IS UNPUBLISHED. RELEASED FOR PUBLICATION  
 © COPYRIGHT - TE CONNECTIVITY ALL RIGHTS RESERVED.

LOC	DIST	REVISIONS			
P	LTR	DESCRIPTION	DATE	DWN	APVD
IR	-	SEE SHEET 1	-	-	-



SEE DETAIL B1 & B2



THIS DRAWING IS A CONTROLLED DOCUMENT.		DWN E.v.EIJK 30-Sep-96	TE Connectivity	
		CHK E. STELLINGA Dec-96		
DIMENSIONS: mm		APVD R. SMEETS	NAME INVERTIBLE MODULAR JACK, 8 POSITION SURFACE MOUNT APPLICATION	
TOLERANCES UNLESS OTHERWISE SPECIFIED:		PRODUCT SPEC 108-19117	SIZE 114-19041	
0 PLC ±		APPLICATION SPEC 114-19041	CAGE CODE A20779	
1 PLC ±		WEIGHT 2.1 gr	DRAWING NO C-338088	
2 PLC ±		RESTRICTED TO		
3 PLC ±		CUSTOMER DRAWING		
4 PLC ±		SCALE 5:1 SHEET 2 OF 2 REV Y2		
ANGLES ±				
FINISH				

## X-ON Electronics

Largest Supplier of Electrical and Electronic Components

*Click to view similar products for [Modular Connectors / Ethernet Connectors](#) category:*

*Click to view products by [TE Connectivity](#) manufacturer:*

Other Similar products are found below :

[8949-H88/06BLKA/SN](#) [74441-0010/BKN](#) [MP1010RX-1000](#) [MP44RX-1000](#) [PHJ-4P4C-1-V-4](#) [PHP-6P6C-5](#) [GAX-3-66](#) [GAX-8-62](#) [GDCX-PA-66-50](#) [GDCX-PN-64](#) [GDCX-PN-66](#) [GDCX-PN-66-50](#) [GDLX-A-66](#) [GDLX-N-66](#) [GDLX-S-66](#) [GDLX-S-88K](#) [GDTX-S-88-50](#) [GDX-PA-1010](#) [GLX-N-1010M-BLK](#) [GLX-S-88M-BLK](#) [GMX-N-1010](#) [GMX-S-1010](#) [GMX-S-66](#) [GMX-SMT4-N-88](#) [GPX-2-64](#) [GSGX-N-2-88](#) [GSGX-N-4-88](#) [GSX-NS2-88-3.05](#) [GSX-NS2-88-3.05-50](#) [GSX-NS-88-3.05-50](#) [PT-108A-8C-UL](#) [PT-J951-8C](#) [PTS-J531-8CS-50UL](#) [1-1775629-2](#) [A-2014-0-4](#) [GWLX-S-88-GR](#) [GWLX-S9-88-YG](#) [DC-1021-8-WH-6](#) [1300530003](#) [1324640-4](#) [RJ11FTVC2G](#) [RJ11FTVC2N](#) [RJFTVX2SA1G](#) [132764-001](#) [1413235](#) [MP88X-1000](#) [MPS88RX-5000](#) [E5288-S000K3-L](#) [E5908-15A242-L](#) [155302-001](#)