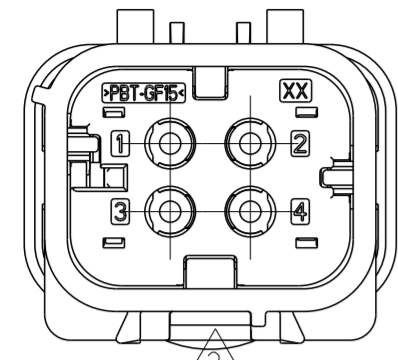
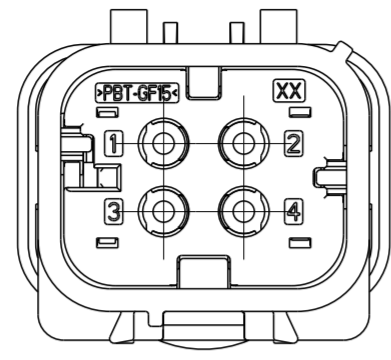


THIS DRAWING IS UNPUBLISHED. RELEASED FOR PUBLICATION
 © COPYRIGHT copyright.d8Te- ALL RIGHTS RESERVED.

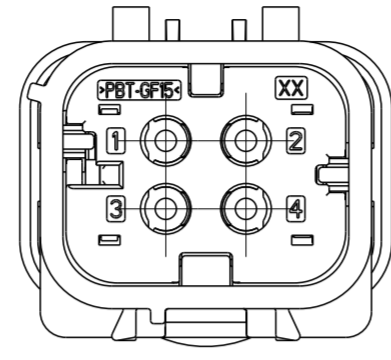
REVISIONS				
P	LTR	DESCRIPTION	DATE	APVD
A		RELEASE PER ECO-20-015428	29OCT2020	DFS JB



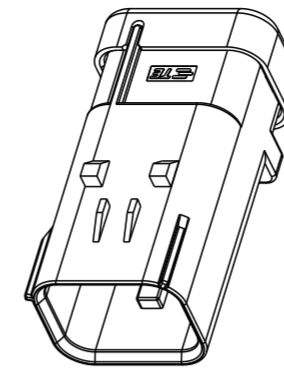
2338211-2
SCALE 2:1



2338211-3
SCALE 2:1



2338211-4
SCALE 2:1



ISOMETRIC VIEW SHOWN
FOR REFERENCE ONLY
SCALE 1:1

NOTES:

1. MATERIALS:

CAP HOUSING:
GENERIC TYPE = 15% GF PBT
COLOR = SEE TABLE

CAP TPA:
GENERIC TYPE = 15% GF PBT
COLOR = BLACK

CAP COVER:
GENERIC TYPE = 15% GF PBT
COLOR = BLACK

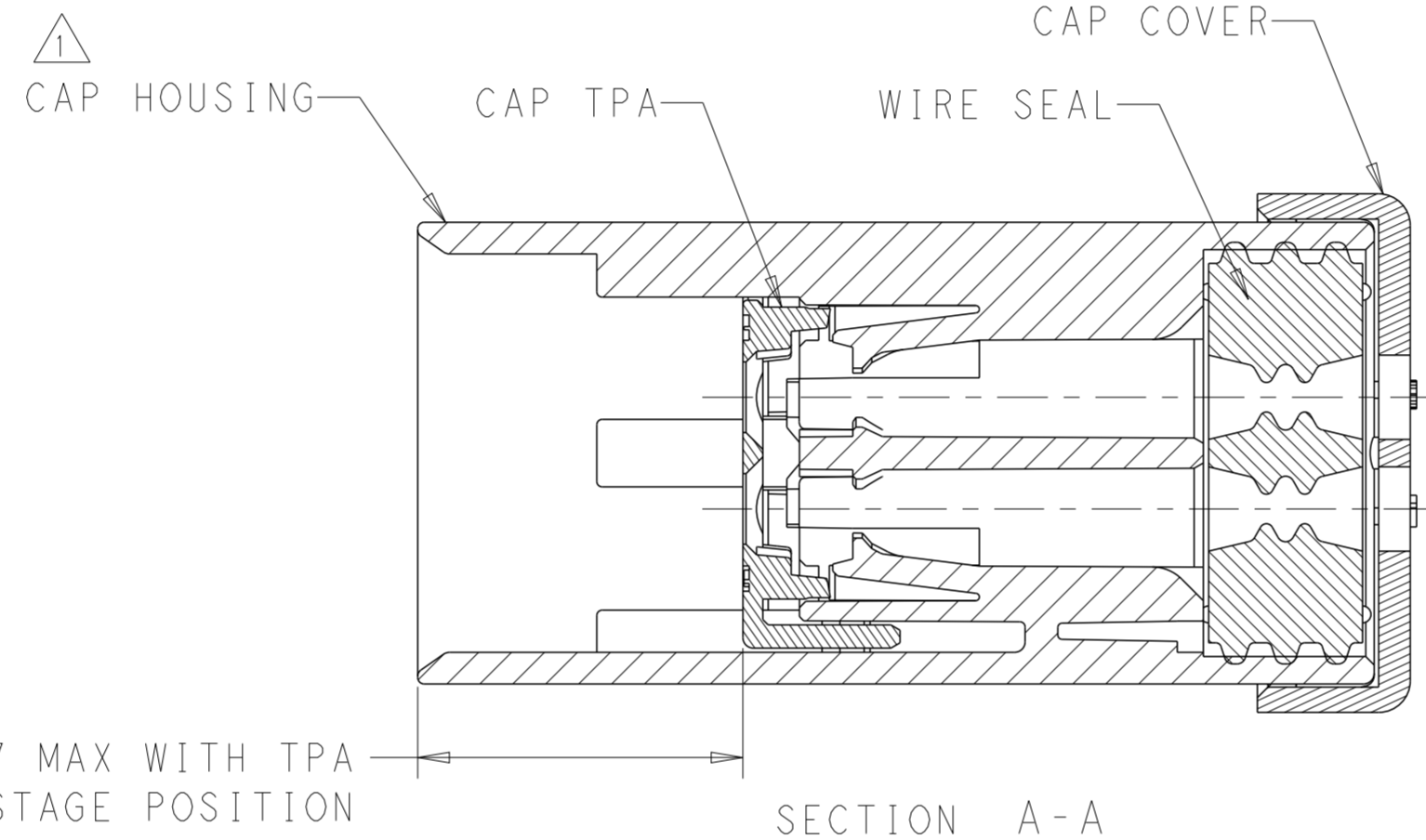
WIRE SEAL:
GENERIC TYPE = SILICONE RUBBER
COLOR = GREEN

△ NOT TOOLED FOR PRODUCTION.

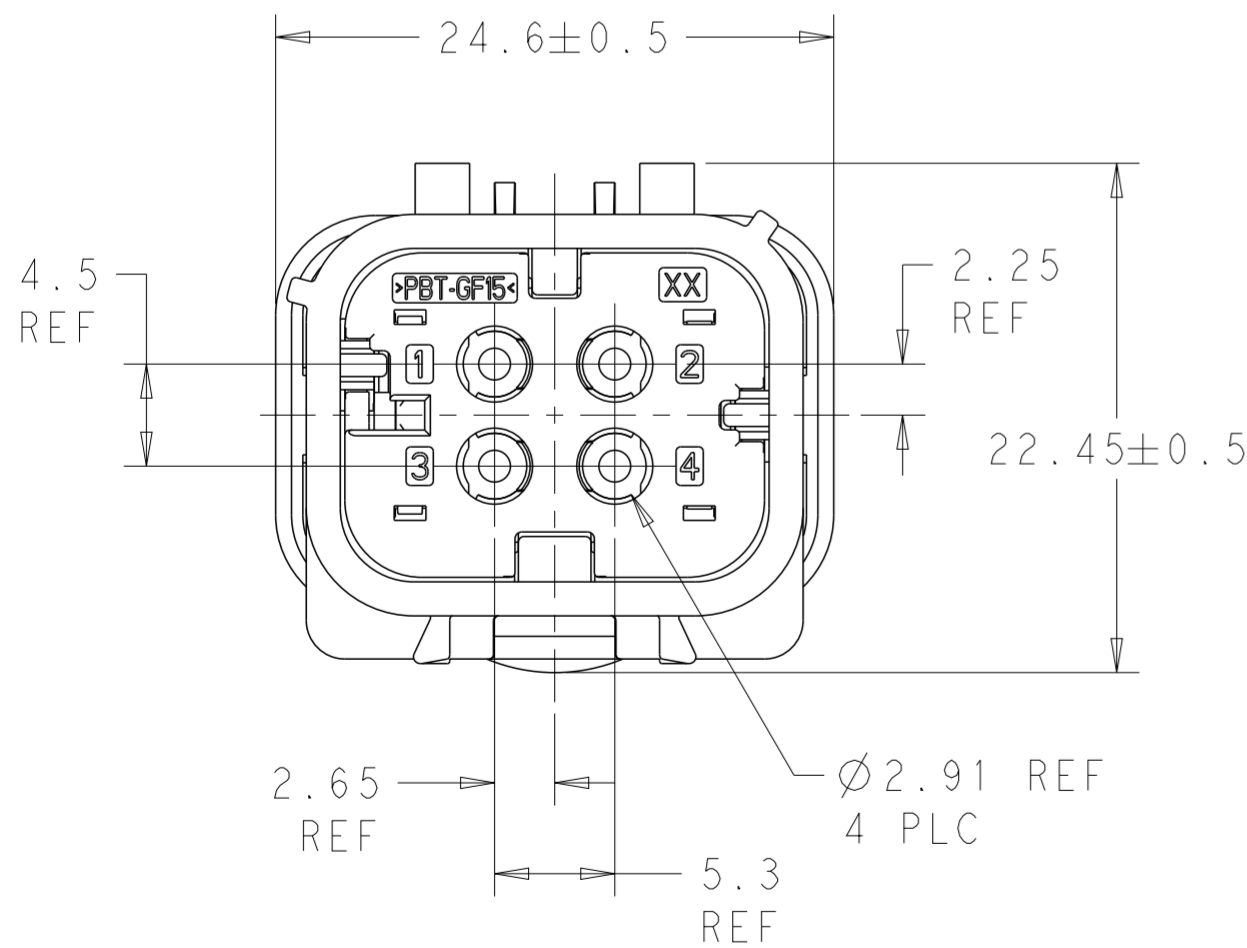
3. TPA SHOWN IN THE PRE-STAGED (AS SHIPPED) POSITION.

4. MATTE SEAL TO ACCOMODATE WIRE INSULATION O.D. RANGE OF 2.18MM TO 3.81MM

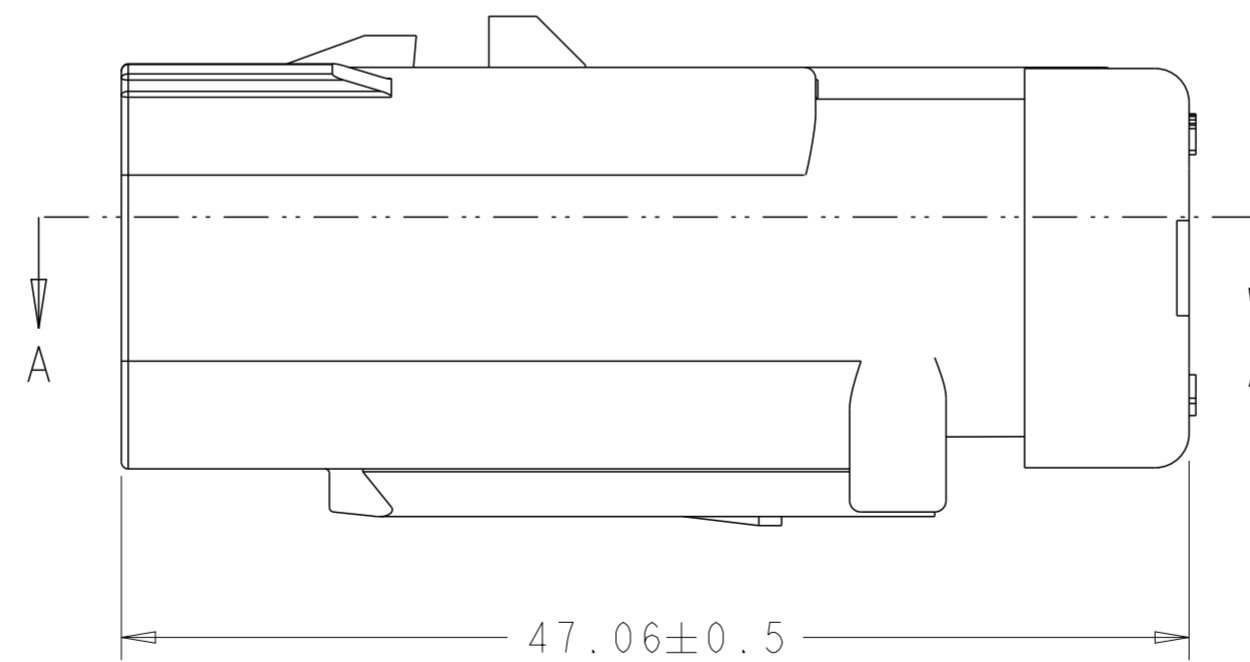
5. REFER TO AS16 COAX PRODUCT GROUP DRAWING: 2381263 FOR INFORMATION REGARDING MATING COMPONENTS, ACCESSORIES, AND APPLICATION TOOLING.



15.417 MAX WITH TPA
IN PRE-STAGE POSITION



2338211-1 AS SHOWN



BEIGE	2338211-4
SIGNAL BLUE	2338211-3
CLARET VIOLET	2338211-2
WATER BLUE	2338211-1
HOUSING COLOR	PART NUMBER

THIS DRAWING IS A CONTROLLED DOCUMENT.		DWN	02-Nov-20	TE Connectivity	
DIMENSIONS:		CHK	J. LOCONDRO		
mm		CHK	K.A. DEBOCK		
TOLERANCES UNLESS OTHERWISE SPECIFIED:		APVD	J. BARTH		
0 PLC	±	PRODUCT SPEC	108-94799	NAME	CAP PIN ASSY, 4P, W2W, SEALED COAX AS16 COAX
1 PLC	±	APPLICATION SPEC	114-94667	SIZE	A2
2 PLC	±	WEIGHT	12.9 g	CAGE CODE	-
3 PLC	±	CUSTOMER DRAWING		DRAWING NO	2338211_C
4 PLC	±	SCALE	3:1	SHEET	1 OF 1
ANGLES	±			REV	A
FINISH	-				
SEE NOTES	-				

X-ON Electronics

Largest Supplier of Electrical and Electronic Components

Click to view similar products for [Crimpers / Crimping Tools](#) category:

Click to view products by [TE Connectivity](#) manufacturer:

Other Similar products are found below :

[010-0096](#) [CT150-2-D02](#) [CT150-6-RH07](#) [622-6441LF](#) [63484-3701](#) [63800-8355](#) [63819-1875](#) [63819-2875](#) [63819-4475](#) [63827-5375](#) [64005-0175](#) [662903-2](#) [690602-6](#) [7-23471-1](#) [734611-1](#) [762637-1](#) [811242-5](#) [91362-1](#) [1-21002-3](#) [1-21002-7](#) [12118040](#) [12085270](#) [12387119-6](#) [1-22548-4](#) [125442-1](#) [DCE.91.073.BVC](#) [DCE.91.090.3MVM](#) [DCE.91.162.BVCM](#) [DCE.91.202.BVCM](#) [1310G2](#) [1333249-1](#) [1-354003-0](#) [1338301-1](#) [DF62/RE-MD](#) [142321](#) [AP105-DF11-2428S\(64\)](#) [1456088-1](#) [1-45804-6](#) [15397700](#) [AX100749](#) [1-59619-7](#) [1596970-1](#) [1-59619-8](#) [1901238-2](#) [2119581-1](#) [K761](#) [KTH-1079](#) [KTH-2022](#) [KTH-2260](#) [904139-1](#)