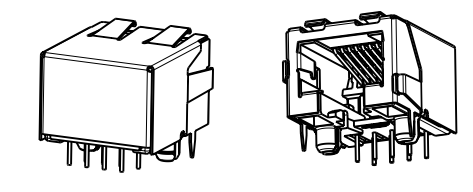
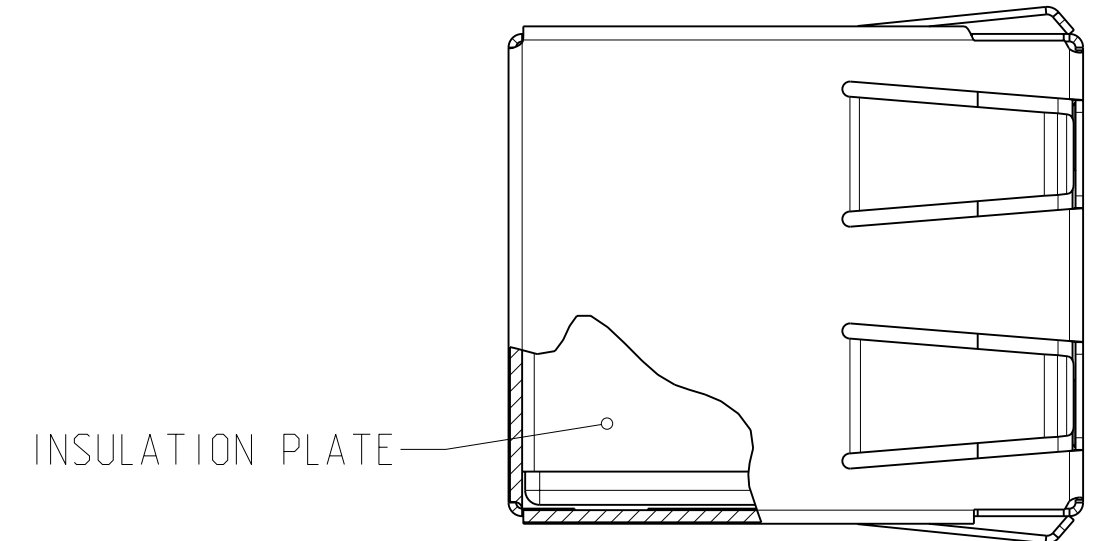
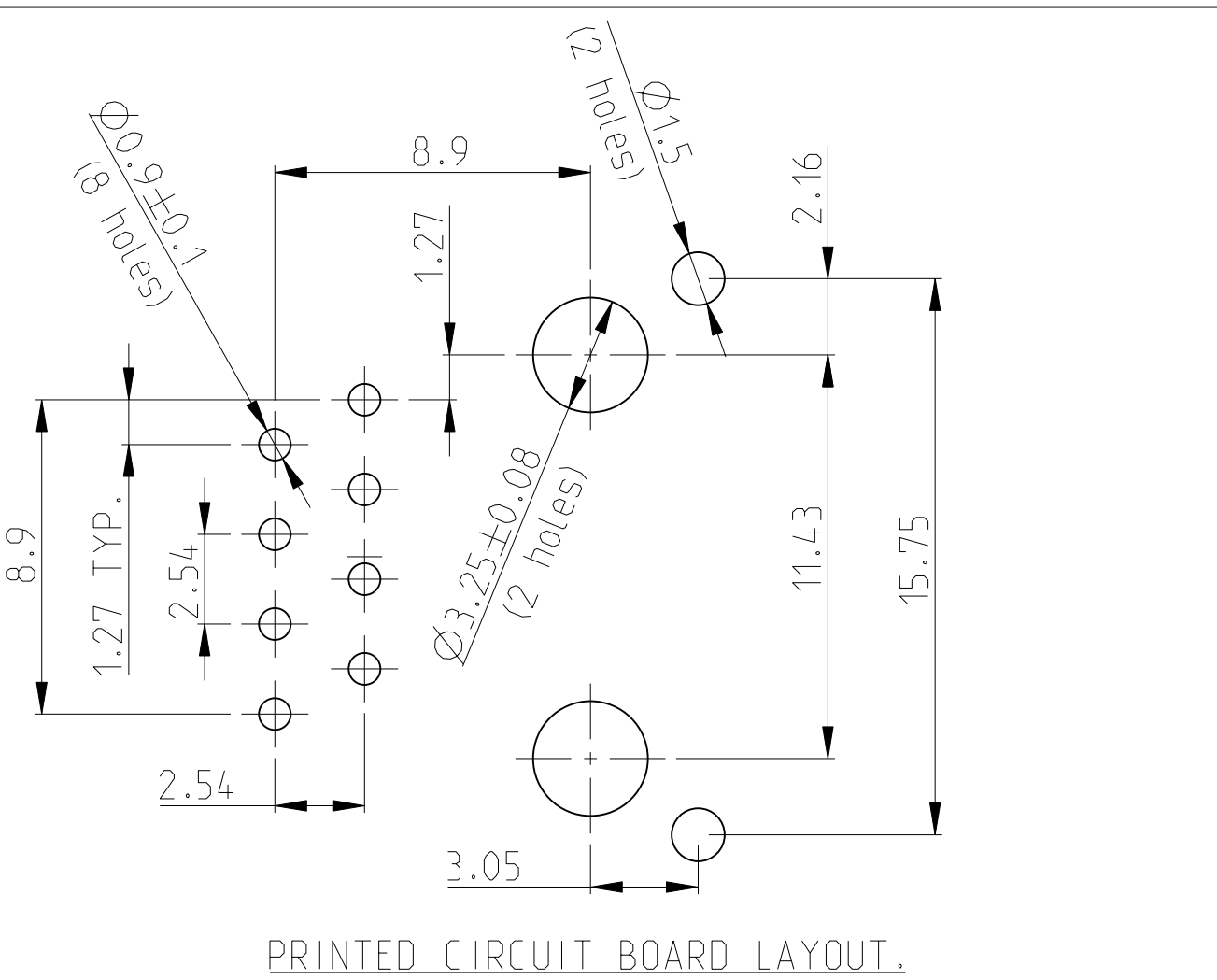
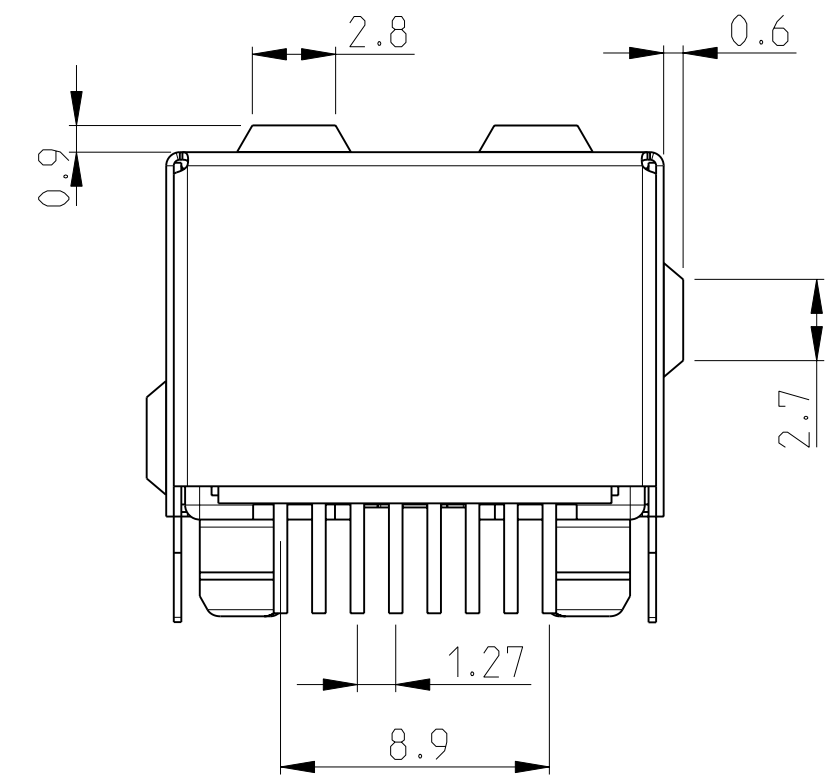
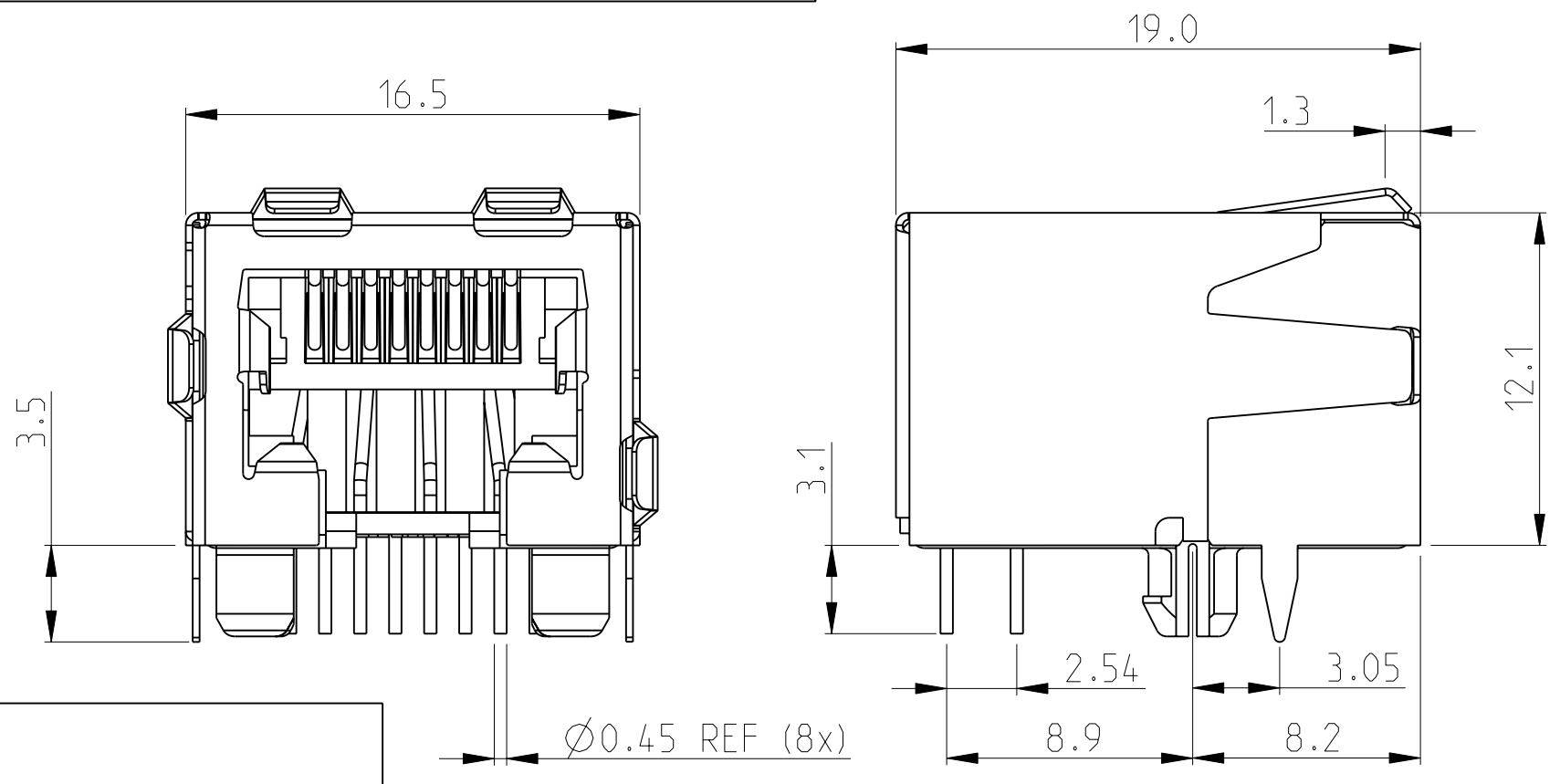
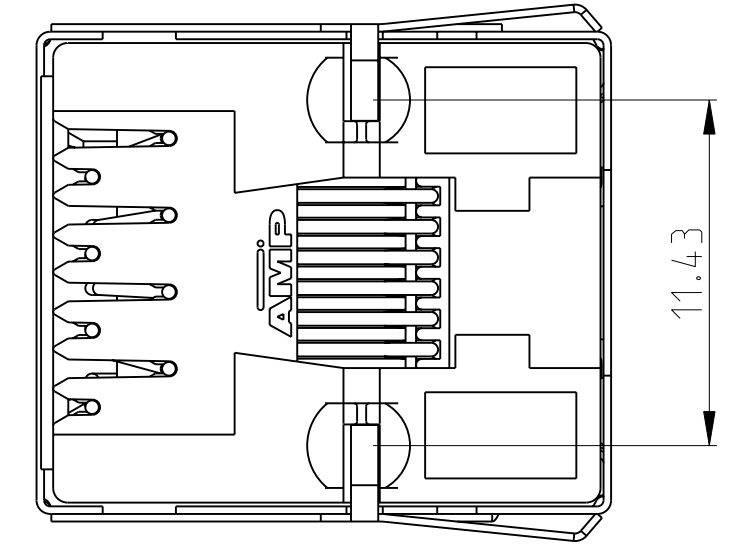
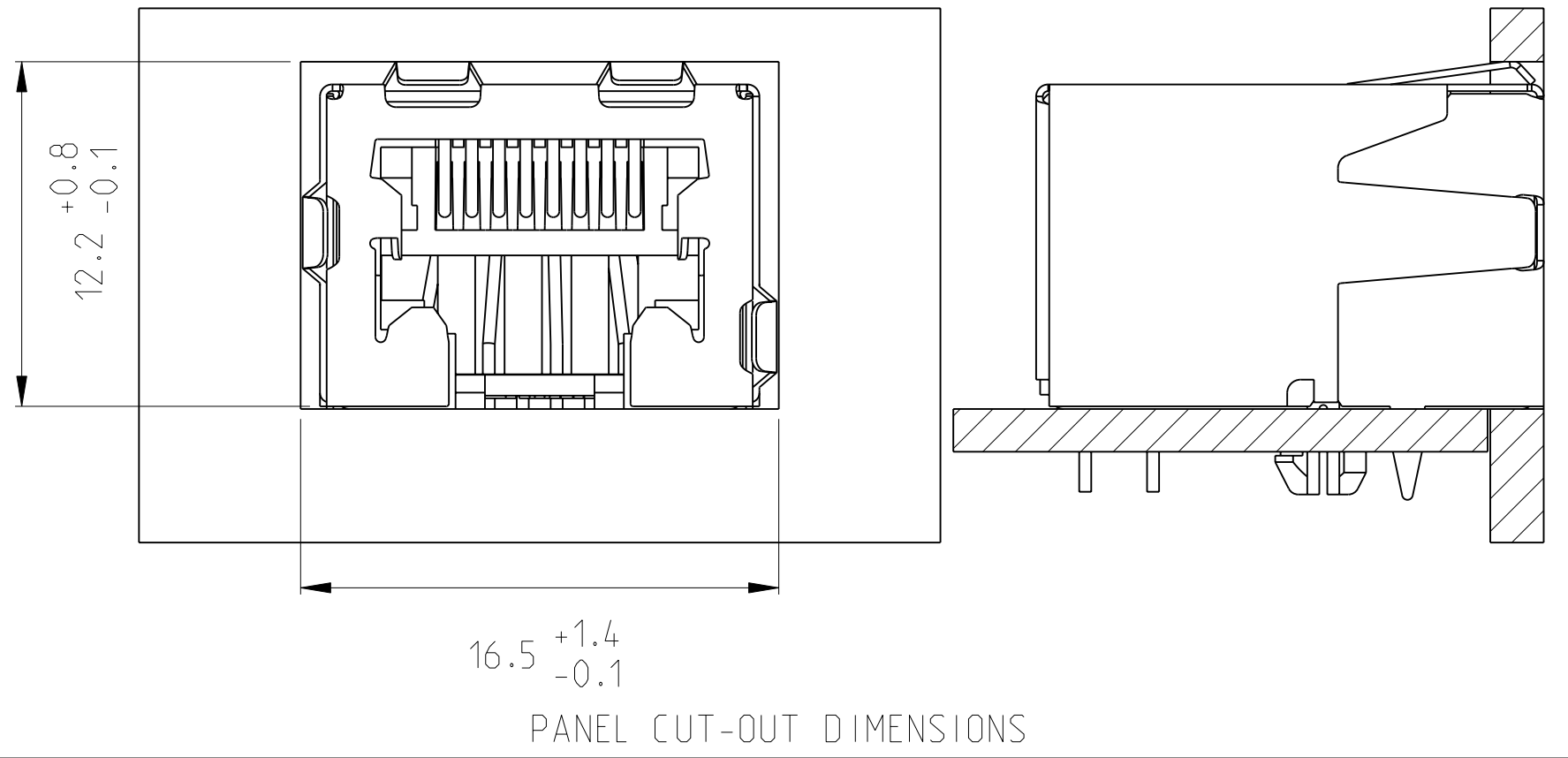


THIS DRAWING IS UNPUBLISHED. RELEASED FOR PUBLICATION 2000  
 © COPYRIGHT 2000 ALL RIGHTS RESERVED.

LOC		DIST		REVISIONS			
P	LTR	DESCRIPTION	DATE	DWN	APVD		
J		ECR-10-020218	21JUN2011	PS	RRP		
K		SHIELD RAW MATERIAL CHANGE TO BRASS	08MAR2012	PS	RRP		



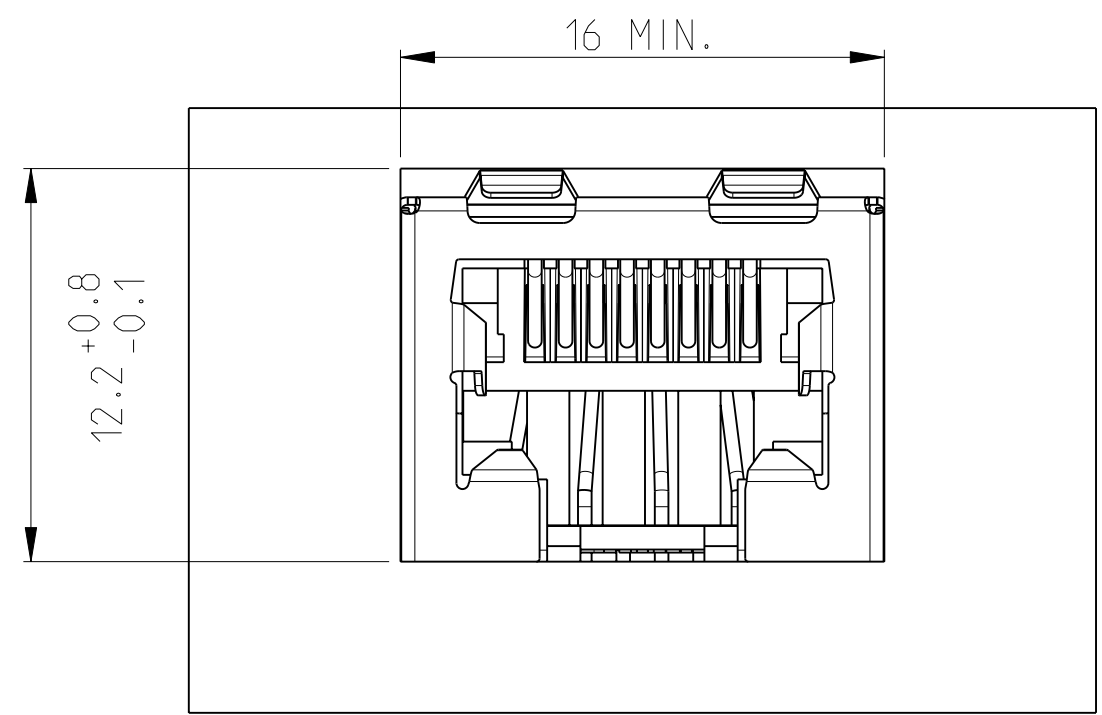
SCALE: 1:1

PACKAGING	REMARKS	DESCRIPTION	MATERIAL	P/N
PACKAGED 190 PIECES IN A TRAY	8 POS. 8 CONT.	OVERALL: Ni 1.27 μm MIN. ALL OVER THE CONTACTS  SOLDER ZONE: Sn 2.5 μm MIN. ON THE SOLDER ZONE OF THE CONTACT  MATING ZONE: PLATING CONFIRMS TO PRODUCT REQUIREMENTS AS PER SPECIFICATION 108-19064	HOUSING: PBT UL 94 V-0 BLACK  CONTACTS: PHOSPHOR BRONZE  SHIELD: BRASS PRE-PLATED (BRIGHT TIN)	2-338556-1

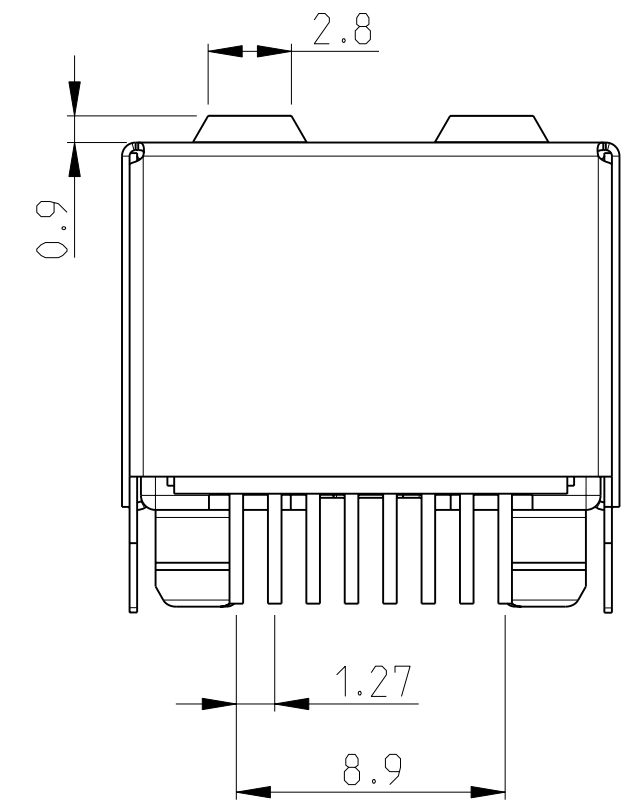
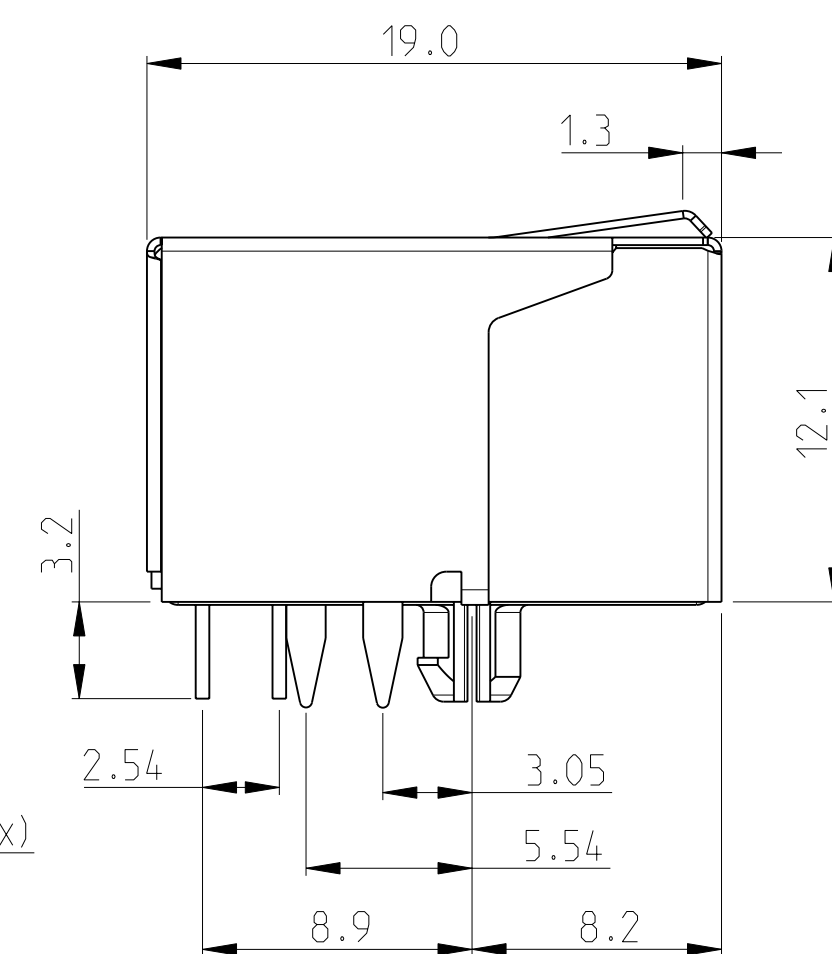
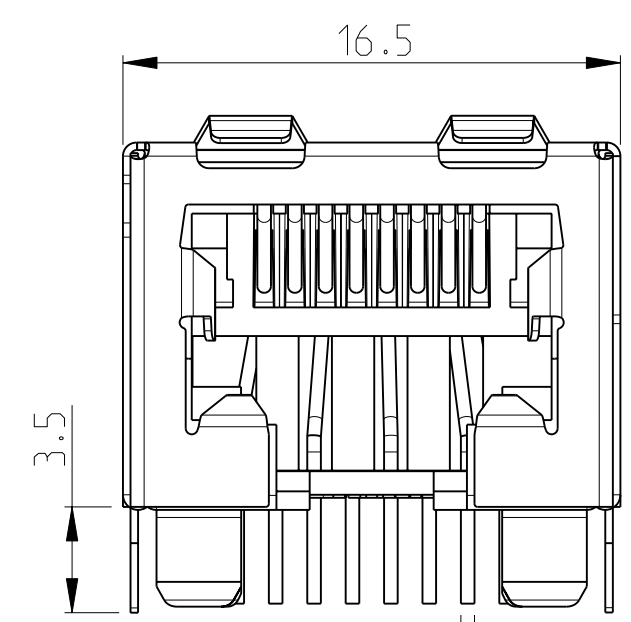
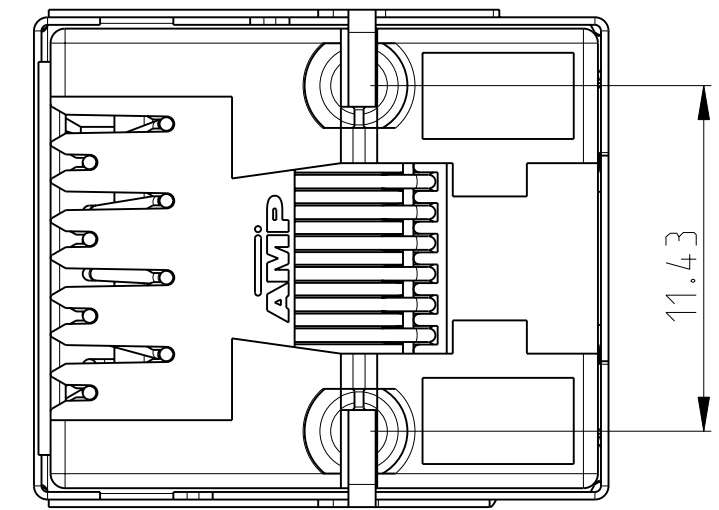
THIS DRAWING IS A CONTROLLED DOCUMENT.		DWN	-	TE Connectivity	
		CHK	-		
		APVD	-		
		NAME	-		
DIMENSIONS:		TOLERANCES UNLESS OTHERWISE SPECIFIED:		NAME	
mm		0 PLC ±0.15		8 pos. Modular Jack Side Entry	
		1 PLC ±0.15		fully shielded with insulation plate	
		2 PLC ±0.15		-	
		3 PLC ±0.15		-	
		4 PLC ±0.15		-	
		ANGLES		SIZE	
		FINISH		CAGE CODE	
		±0°30'		DRAWING NO	
MATERIAL		WEIGHT		RESTRICTED TO	
-		-		-	
		CUSTOMER DRAWING		SCALE	
		-		4:1	
				SHEET	
				1 OF 2	
				REV	
				K	

THIS DRAWING IS UNPUBLISHED. RELEASED FOR PUBLICATION 2000  
 © COPYRIGHT 2000 ALL RIGHTS RESERVED.

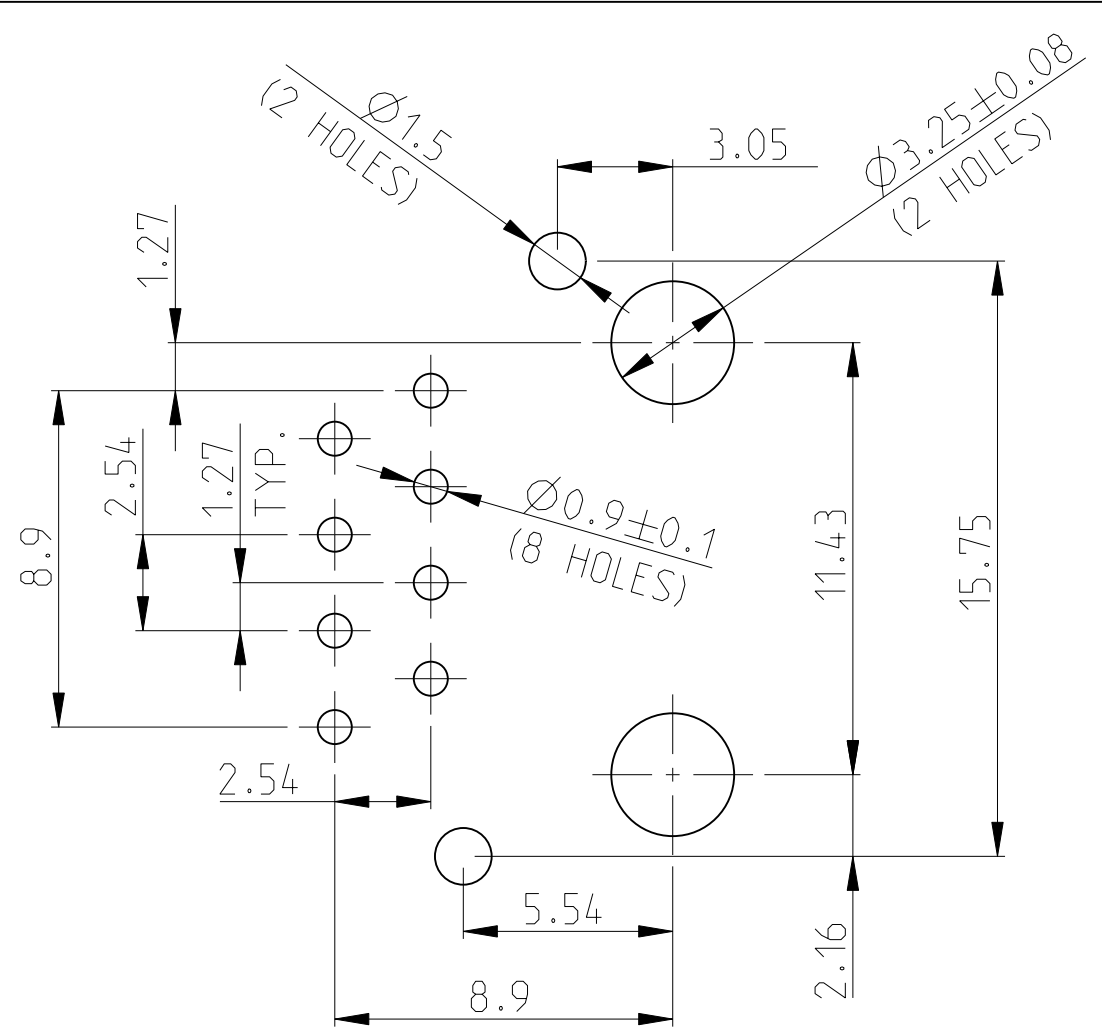
LOC	DIST	REVISIONS				
P	LTR	DESCRIPTION	DATE	DWN	APVD	
IR	-	SEE SHEET 1	-	-	-	



PANEL CUT-OUT DIMENSIONS

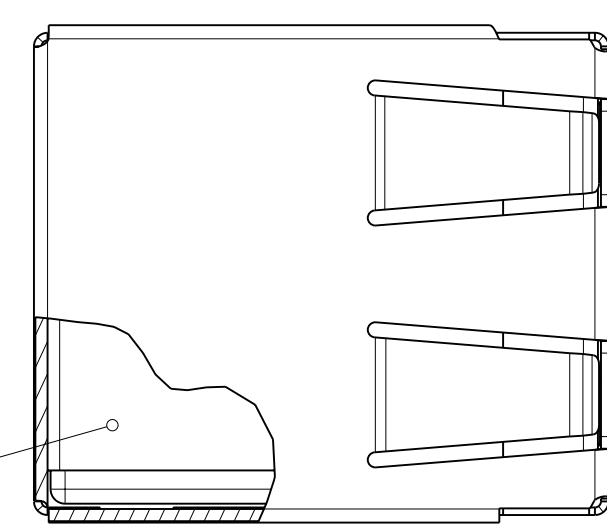


Ø0.45 REF (8x)



PRINTED CIRCUIT BOARD LAYOUT.

(VIEW SHOWN IS CIRCUIT (NONCOMPONENT) SIDE OF BOARD.)  
 PRINTED CIRCUIT BOARD THICKNESS: 1.6 mm NOMINAL.  
 TOLERANCE UNLESS OTHERWISE SPECIFIED: ± 0.15 mm.



INSULATION PLATE

PACKAGED 190 PIECES IN A TRAY	8 POS. 8 CONT.	OVERALL: Ni 1.27 µm MIN. ALL OVER THE CONTACTS  SOLDER ZONE: Sn 2.5 µm MIN. ON THE SOLDER ZONE OF THE CONTACT  MATING ZONE: PLATING CONFIRMS TO PRODUCT REQUIREMENTS AS PER SPECIFICATION 108-19064	HOUSING: PBT UL 94V-0 BLACK  CONTACTS: PHOSPHOR BRONZE  SHIELD: BRASS PRE-PLATED BRIGHT TIN	3-338556-1
PACKAGING	REMARKS	DESCRIPTION	MATERIAL	P/N
THIS DRAWING IS A CONTROLLED DOCUMENT.		DWN E.v.EIJK	TE Connectivity 8 pos. Modular Jack Side Entry fully shielded with insulation plate	
DIMENSIONS: mm		CHK M.v.ESSSEN		
TOLERANCES UNLESS OTHERWISE SPECIFIED:		APVD R.SMEETS		
0 PLC ±0.15 1 PLC ±0.15 2 PLC ±0.15 3 PLC ±0.15 4 PLC ±0.15 ANGLES ±0.30° FINISH		PRODUCT SPEC 108-19064 APPLICATION SPEC 114-19019 WEIGHT -		
MATERIAL	-	CUSTOMER DRAWING	SIZE A2	CAGE CODE 00779
			DRAWING NO 338556	RESTRICTED TO -
			SCALE 4:1	SHEET 2 OF 2
			REV K	

## X-ON Electronics

Largest Supplier of Electrical and Electronic Components

*Click to view similar products for [Modular Connectors / Ethernet Connectors](#) category:*

*Click to view products by [TE Connectivity](#) manufacturer:*

Other Similar products are found below :

[8949-H88/06BLKA/SN](#) [74441-0010/BKN](#) [MP1010RX-1000](#) [MP44RX-1000](#) [PHJ-4P4C-1-V-4](#) [PHP-6P6C-5](#) [GAX-3-66](#) [GAX-8-62](#) [GDCX-PA-66-50](#) [GDCX-PN-64](#) [GDCX-PN-66](#) [GDCX-PN-66-50](#) [GDLX-A-66](#) [GDLX-N-66](#) [GDLX-S-66](#) [GDLX-S-88K](#) [GDLX-SMT-S-88](#) [GDTX-S-88-50](#) [GDX-PA-1010](#) [GLX-N-1010M-BLK](#) [GLX-S-88M-BLK](#) [GMX-N-1010](#) [GMX-S-1010](#) [GMX-S-66](#) [GMX-SMT4-N-88](#) [GPX-2-64](#) [GSGX-N-2-88](#) [GSGX-N-4-88](#) [GSX-NS2-88-3.05](#) [GSX-NS2-88-3.05-50](#) [GSX-NS-88-3.05-50](#) [PT-108A-8C-UL](#) [PT-J951-8C](#) [PTS-J531-8CS-50UL](#) [1-1775629-2](#) [A-2014-0-4](#) [GWLX-S-88-GR](#) [GWLX-S9-88-YG](#) [DC-1021-8-WH-6](#) [1300530003](#) [1324640-4](#) [RJ11FTVC2G](#) [RJ11FTVC2N](#) [RJFTVX2SA1G](#) [132764-001](#) [1413235](#) [MP88X-1000](#) [MPS88RX-5000](#) [E5288-S000K3-L](#) [E5908-15A242-L](#)