

THIS DRAWING IS UNPUBLISHED.

RELEASED FOR PUBLICATION

© COPYRIGHT - TE Connectivity Ltd.

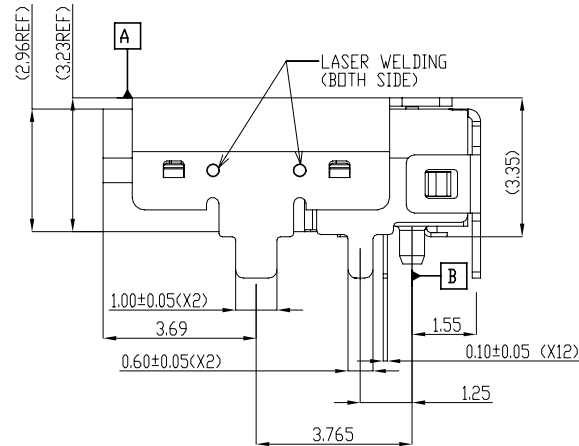
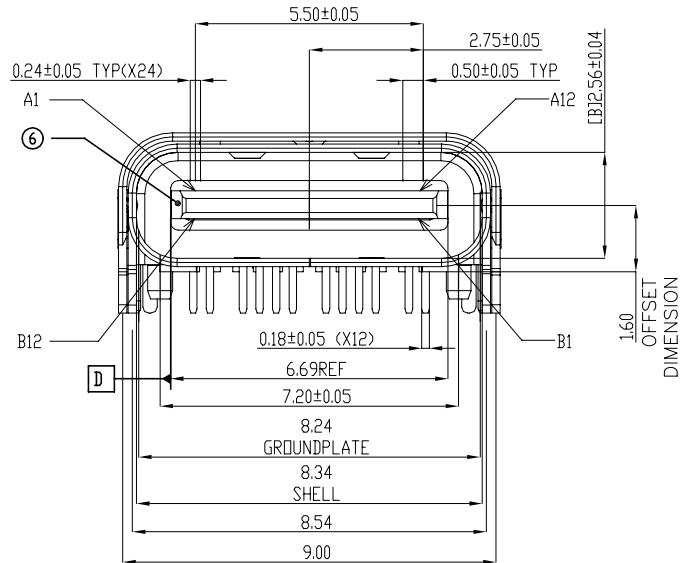
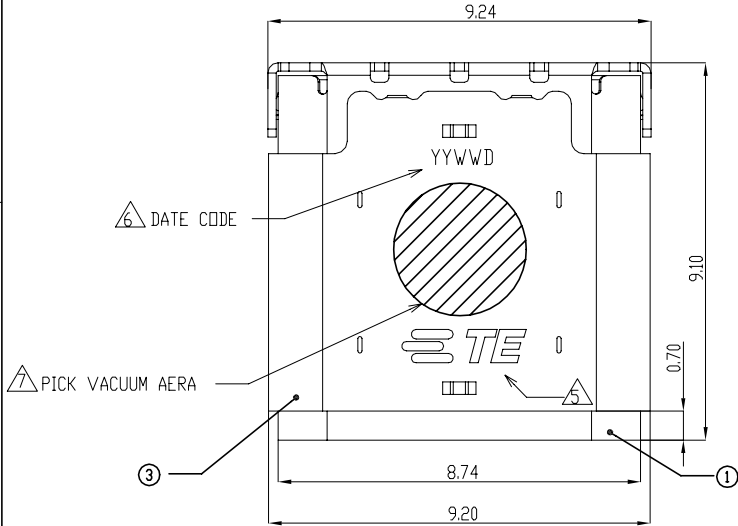
ALL RIGHTS RESERVED.

REVISIONS

P	LTR	DESCRIPTION	DATE	DWN	APVD
A1		REVISED PER ECR-21-118253	22OCT2021	R.M	S.Z

2338792-1 ; AS SHOWN

- 1.MATERIAL :
- SHELL : STAINLESS STEEL
  - OUTER SHELL : STAINLESS STEEL
  - GROUND PLATE : STAINLESS STEEL
  - DOWN-CONTACT : COPPER ALLOY
  - UP-CONTACT : COPPER ALLOY
  - HOUSING : HIGH TEMPERATURE THERMO PLASTIC, BLCBK, UL94V-0
- 2.FINISH :
- CONTACT : ALL OVER NI PLATING(1.27um)MIN
  - CONTACT AREA AU PLATING(0.762um)MIN
  - SOLDERTAIL AREA TIN PLATING(0.762um)MIN
  - SHELL : ALL OVER NI PLATING(1.27um)MIN
  - OUTER SHELL : ALL OVER NI PLATING(1.27um)MIN
3. RECOMMENDED P.C.B THICKNESS : 0.85~0.95mm
4. WAVE SOLDER CAPABLE TO 265°C PER TE SPEC. 109-202, CONDITION B.
- △ TE LOGO
  - △ DATE CODE YYWWD (YY: YEAR, WW: WEEK, D: DAY)
  - △ VACUUM AREA



Q'TY	NAME	ITEM
1	SHELL	①
1	OUTER SHELL	③
1	GROUND PLATE	③
12	DOWN-CONTACT	④
12	UP-CONTACT	⑤
1	MAIN I/M	⑥

2338792-1  
PART NUMBER

THIS DRAWING IS A CONTROLLED DOCUMENT.

DWN RAMBO ZHANG 08OCT2018	TE Connectivity USB TYPE C 3.1 CONNECTOR RECEPTACLE TOP MOUNT HYBRID TYPE WITH 1.60mm OFFSET	
CHK RICHARD MA 08OCT2018		
APVD SIMON LI 08OCT2018		
NAME 108-115150		
DIMENSIONS: mm	PRODUCT SPEC	
TOLERANCES UNLESS OTHERWISE SPECIFIED:	APPLICATION SPEC	
0 PLC ± -	108-115150	
1 PLC ± 0.3	SIZE	
2 PLC ± 0.2	CAGE CODE	
3 PLC ± 0.15	DRAWING NO	
4 PLC ± -	RESTRICTED TO	
ANGLES ± 3'	SCALE	
MATERIAL	WEIGHT	
-	0.61 GRAMS	
FINISH	A3 00779	
-	C=2338792	
CUSTOMER DRAWING		SCALE 1:1 SHEET 1 OF 4 REV A1

PIN NO.	A1	A2	A3	A4	A5	A6	A7	A8	A9	A10	A11	A12
SIGNAL NAME	GND	SSTXp1	SSTXn1	VBUS	CC1	Dp1	Dn1	SBU1	VBUS	SSRXn2	SSRXp2	GND
PIN NO.	B12	B11	B10	B9	B8	B7	B6	B5	B4	B3	B2	B1
SIGNAL NAME	GND	SSRXp1	SSRXn1	VBUS	SBU2	Dn2	Dp2	CC2	VBUS	SSTXn2	SSTXp2	GND

THIS DRAWING IS UNPUBLISHED.

RELEASED FOR PUBLICATION

-. - .

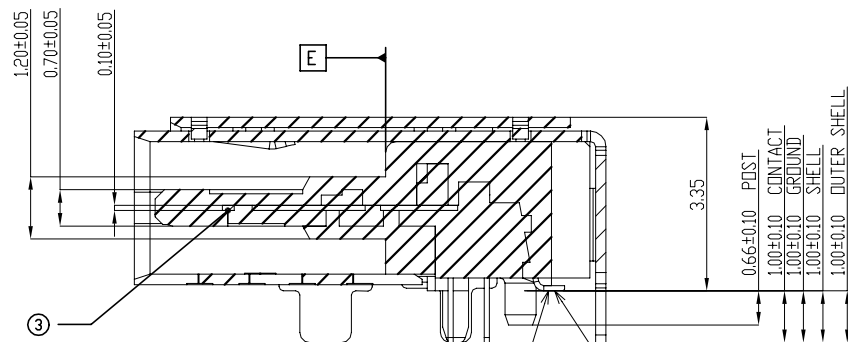
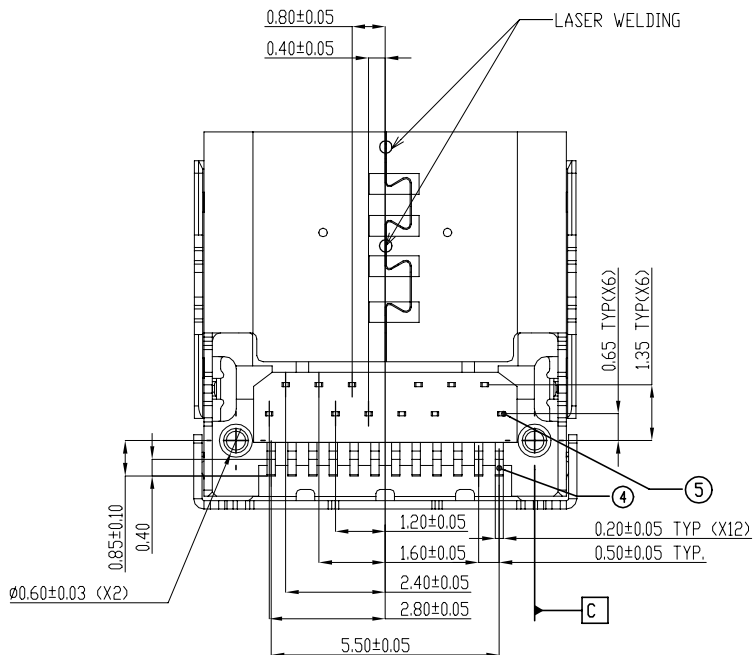
© COPYRIGHT - TE Connectivity Ltd.

ALL RIGHTS RESERVED.


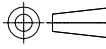
REVISIONS

P	LTR	DESCRIPTION	DATE	DWN	APVD
-	-	SEE SHEET 1	-	-	-

2338792-1 ; AS SHOWN



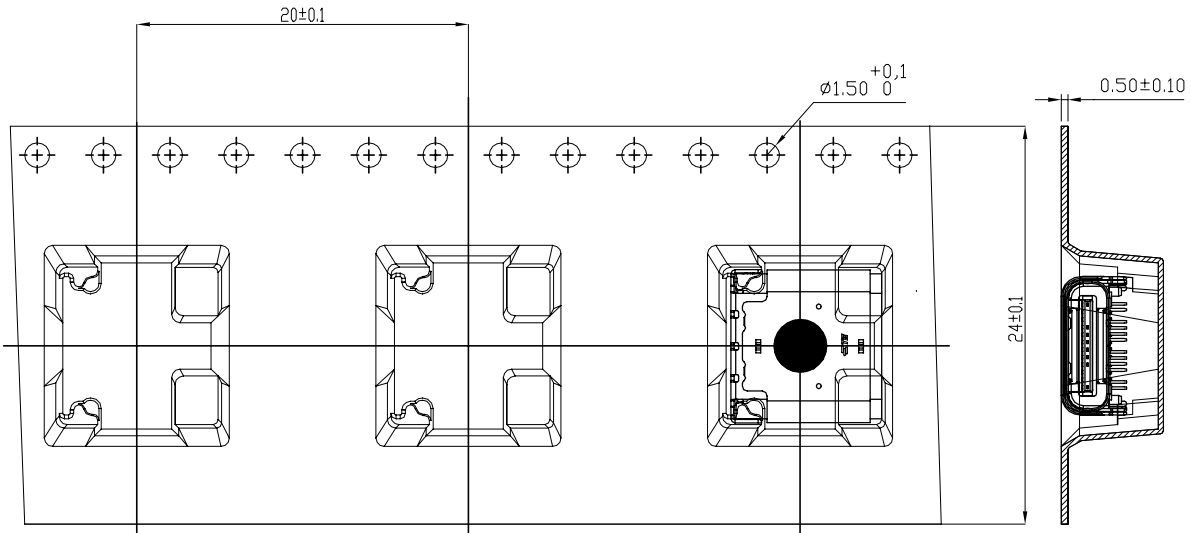
SECTION A-A  
 Coplanarity 0.08 Max(B,R)  
 Coplanarity 0.10 Max(A,R)

THIS DRAWING IS A CONTROLLED DOCUMENT.		DWN 08OCT2018 RAMBO ZHANG	 TE Connectivity	
		CHK 08OCT2018 RICHARD MA		
DIMENSIONS: mm		APVD 08OCT2018 SIMON LI	NAME USB TYPE C 3.1 CONNECTOR RECEPTACLE TOP MOUNT HYBRID TYPE WITH 1.60mm OFFSET	
		PRODUCT SPEC 108-115150	RESTRICTED TO	
TOLERANCES UNLESS OTHERWISE SPECIFIED:		APPLICATION SPEC -	SIZE A3	CAGE CODE 00779
0 PLC ± - 1 PLC ± 0.3 2 PLC ± 0.2 3 PLC ± 0.15 4 PLC ± - ANGLES ± 3°		WEIGHT 0.61 GRAMS	DRAWING NO C=2338792	
MATERIAL -		FINISH -	CUSTOMER DRAWING	
		SCALE 1:1	SHEET 2 OF 4	REV A1



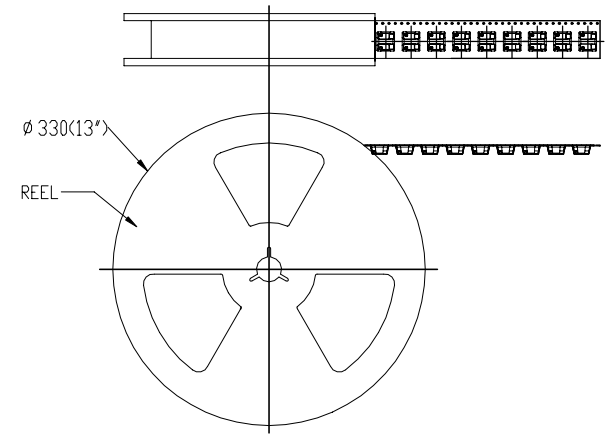
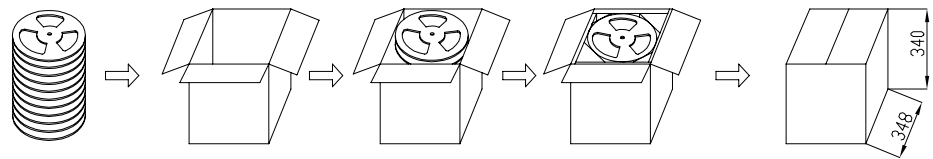
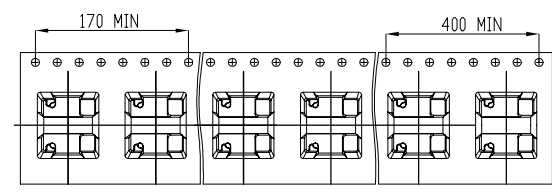
THIS DRAWING IS UNPUBLISHED. RELEASED FOR PUBLICATION  
 © COPYRIGHT - TE Connectivity Ltd. ALL RIGHTS RESERVED.

REVISIONS					
P	LTR	DESCRIPTION	DATE	DWN	APVD
-		SEE SHEET 1	-	-	-



- NOTES:
- 1.P/N: P-ZA-142600
  - 2.USED ON USB TYPE C RECEP.CONNECTOR PRODUCTS.
  - 3.PACKAGE:550PCS/REEL, 10REELS/BOX
  - 4.MATERIAL:TRANSPARENT CONDUCTIVE POLYSTYRENE ALLOY
  - 5.APPLICABLE DOCUMENTS:EIA - 481-D
  - 6.AFTER UNREELING DIRECTION MUST HAVE 11PCS BLANK.(170mm Min)
  - 7.BEFORE UNREELING DIRECTION MUST HAVE 25PCS BLANK.(400mm Min)

USER FEED DIRECTION



THIS DRAWING IS A CONTROLLED DOCUMENT.		DWN RAMBO ZHANG 08OCT2018	TE Connectivity		
		CHK RICHARD MA 08OCT2018			
DIMENSIONS: mm		APVD SIMON LI 08OCT2018	NAME USB TYPE C 3.1 CONNECTOR RECEPTACLE TOP MOUNT HYBRID TYPE WITH 1.60mm OFFSET		
		PRODUCT SPEC 108-115150	RESTRICTED TO		
TOLERANCES UNLESS OTHERWISE SPECIFIED:		APPLICATION SPEC	SCALE 1:1 SHEET 4 OF 4 REV A1		
0 PLC ± -		WEIGHT 0.61 GRAMS	CAGE CODE A3 00779		
1 PLC ± 0.3		CUSTOMER DRAWING			
2 PLC ± 0.2		SCALE 1:1 SHEET 4 OF 4 REV A1			
3 PLC ± 0.15					
4 PLC ± -					
ANGLES ± 3'					
MATERIAL - FINISH -					

## X-ON Electronics

Largest Supplier of Electrical and Electronic Components

*Click to view similar products for [USB Connectors](#) category:*

*Click to view products by [TE Connectivity](#) manufacturer:*

Other Similar products are found below :

[950](#) [A-USB A-LP-SMT-C](#) [A-USB B-TOP-C](#) [MUSBD11135](#) [17-200721](#) [217450-1](#) [KMBVX-TH-5S-B30](#) [KUSBX-AS2N-W](#) [KUSBX-SMT2AP1S-W30](#) [935](#) [957](#) [30-498-6](#) [SK-60A-2](#) [1734082-1](#) [30-470](#) [30-489](#) [30-541](#) [MIKROE-1451](#) [USBFTVSCCG](#) [1-1734084-2](#)  
[10135326-001LF](#) [USB3FTV7APEG](#) [4198](#) [1310-1023-02](#) [690-024-633-031](#) [UB-20PMFP-LC7001](#) [17-200011](#) [UB-20AFMM-LL7A01](#)  
[1040870124](#) [CAP-WCCMLPB1](#) [2274475-3](#) [UB-20BMFA-SL8001](#) [UB-20BFM-SA7A02](#) [UB-20BFM-SA7A05](#) [914-614A2025S10200](#)  
[MUSBR-AHD2-M41-SK](#) [ZX40-B-5S-1500-STDA\(30\)](#) [GSB3116344HR](#) [USB3FTV2SAZNF459](#) [USBF21GSCC](#) [U221-041N-1WVS62-F5D](#)  
[HYCW153-USBD05-500B](#) [HYCW219-USBD05-075B](#) [HYCW148-USBD05-117B](#) [HYCW149-USBD05-740B](#) [HYCW204-USBD05-108B](#)  
[HYCW214-USBA04-113B](#) [HYCW213-USBA04-113B](#) [UB-20AMFM-SL7A01](#) [KMMX-BSMT35S-1-B30TR](#)