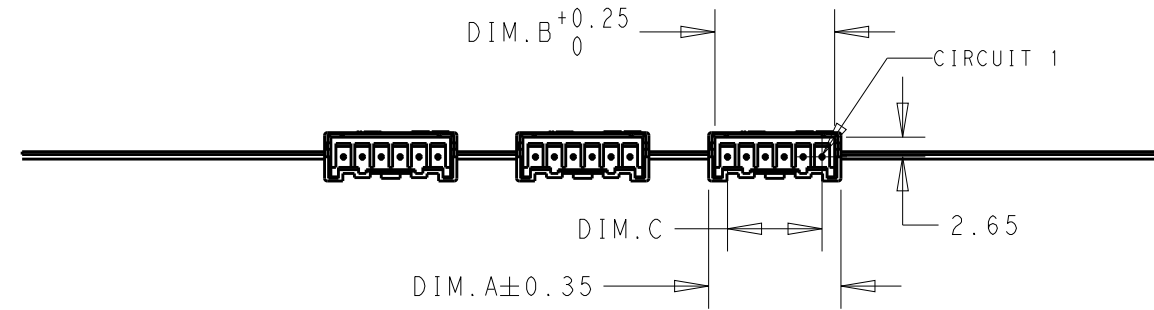


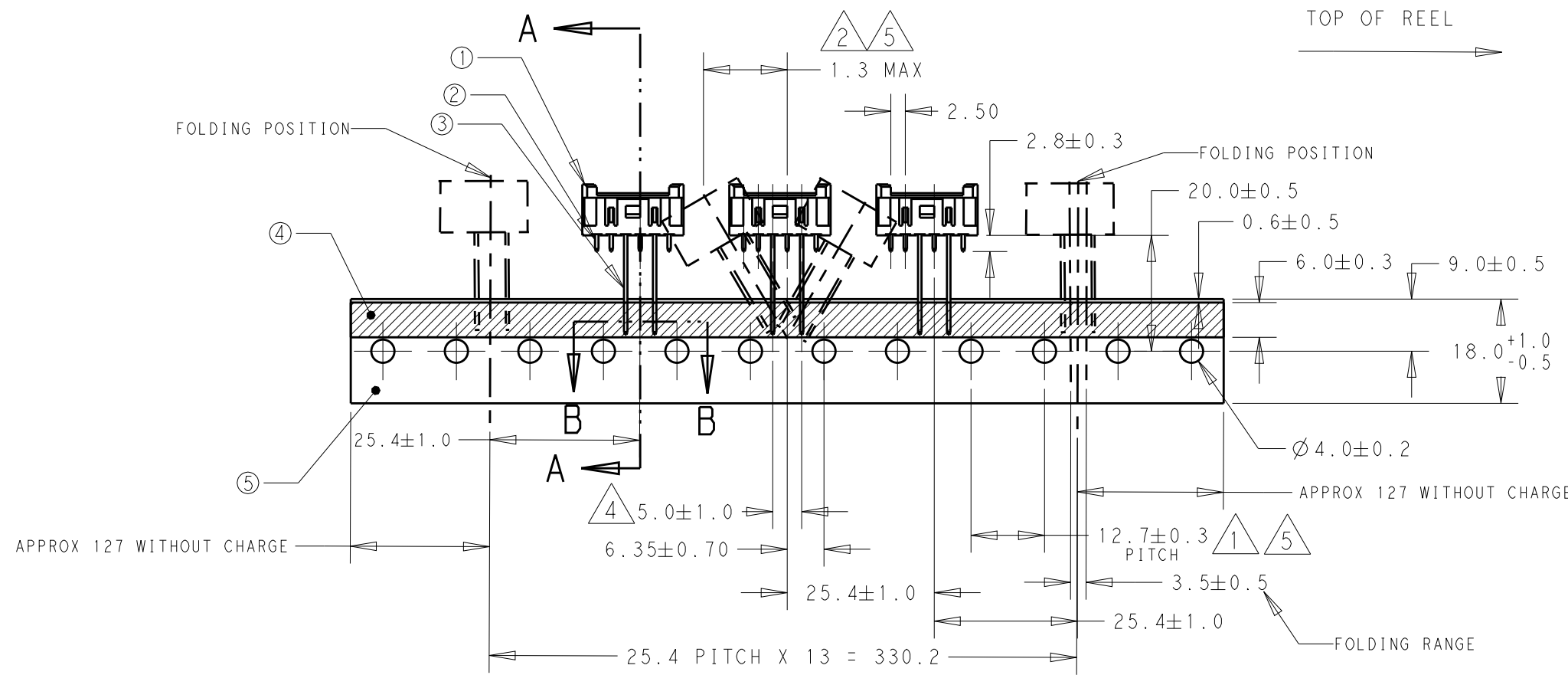
THIS DRAWING IS UNPUBLISHED. RELEASED FOR PUBLICATION
 © COPYRIGHT copyright dbTe ALL RIGHTS RESERVED.

REVISIONS					
P	LTR	DESCRIPTION	DATE	DWN	APVD
	A	FIRST RELEASED	08DEC2019	WH	DZ

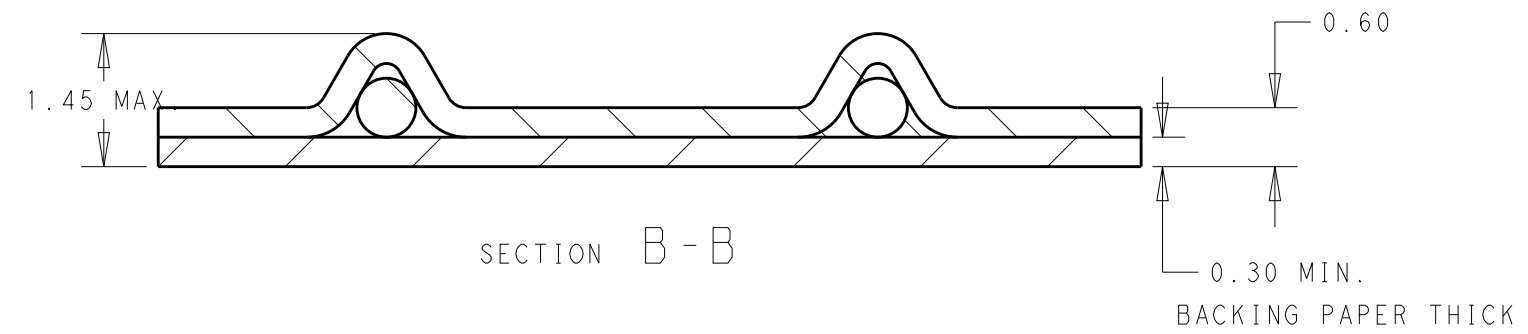
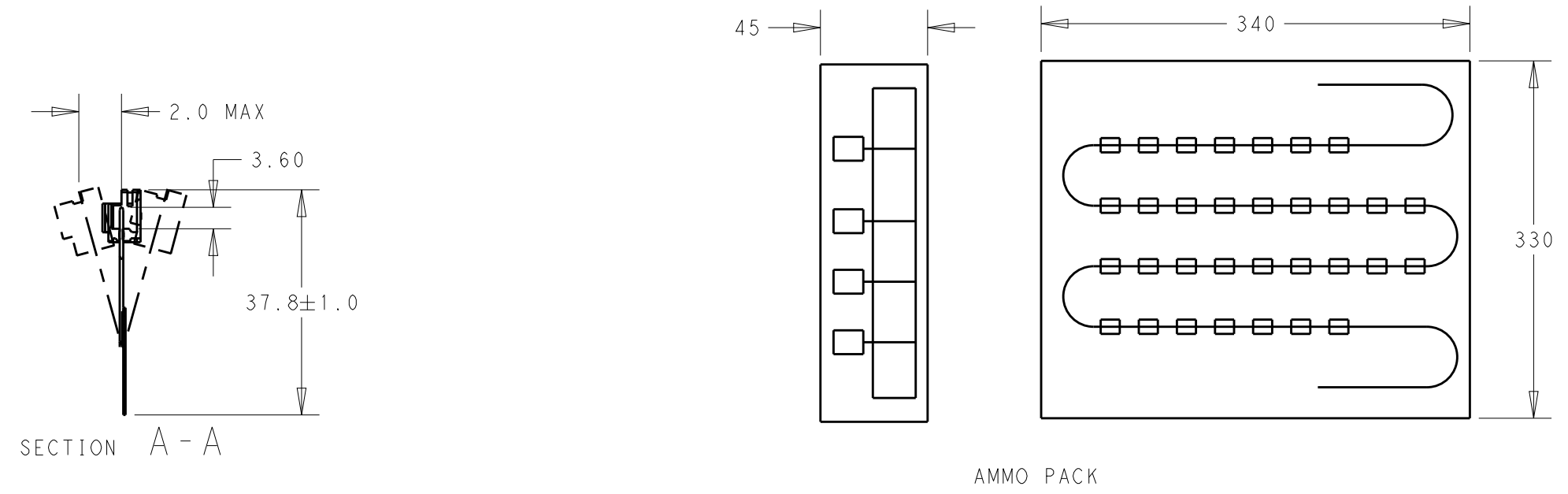
TAPING STYLE B: 4POS. THRU 8POS.



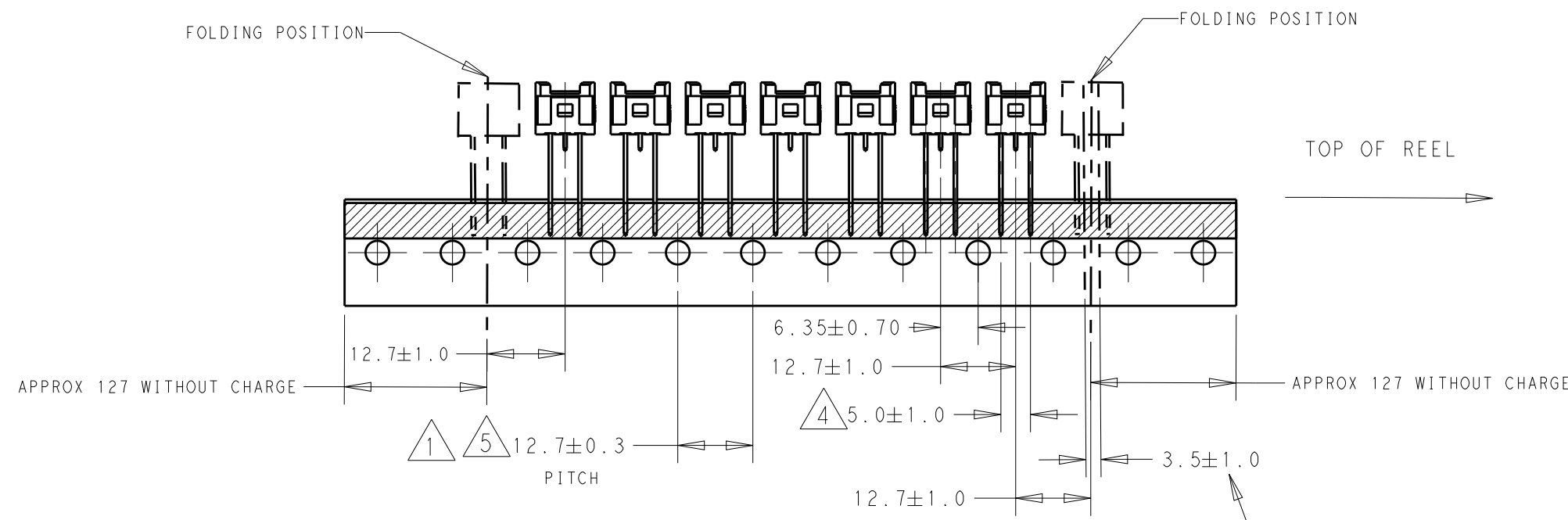
- ① ACCUMULATING TOLERANCE: ±1.0mm/20 PITCH
- ② MEASURING POINT: AT TOP OF POST
- ③ TAPE MUST NOT PROTRUDE FROM BACKING PAPER
- ④ MEASURING POINT, THE TOP OF TAPING AND THE CENTER LINE OF LEAD WIRE IN BETWEEN
- ⑤ BE BASED ON THE CENTER 12.7mm PITCH DIMENSION



TO REPEAT TAPING ONE PIECE BLANK AFTER TAPING CONTINUOUSLY 12 CONN.



TAPING STYLE A: 2POS. AND 3POS.



TO REPEAT TAPING ONE PIECE BLANK AFTER TAPING CONTINUOUSLY 25 CONN.

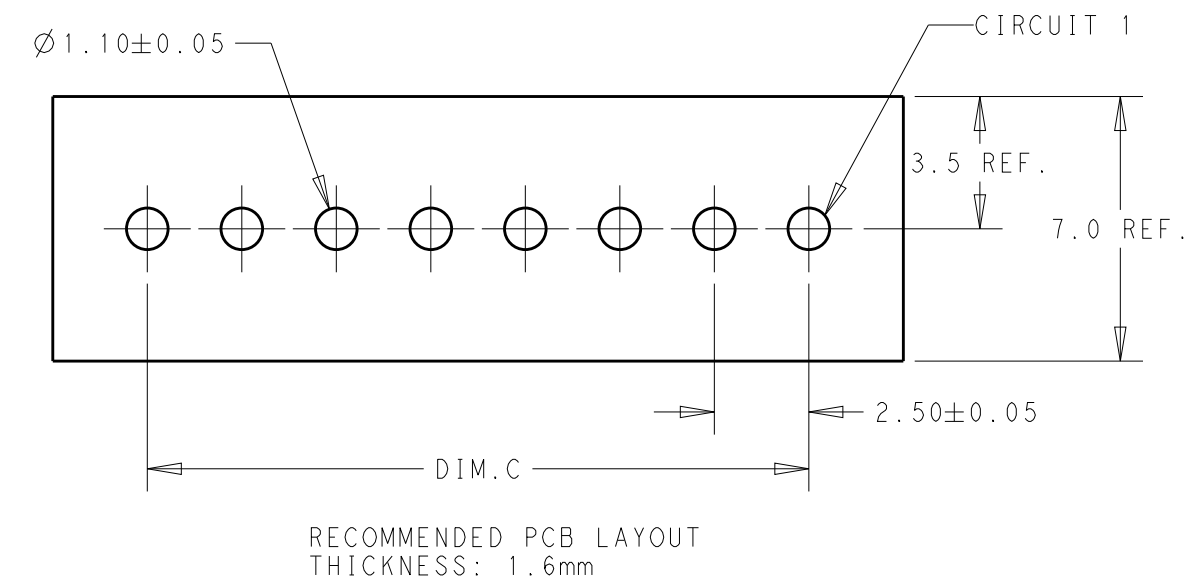


TABLE 1

NO.	NAME	MATERIAL
①	HDR HOUSING	THERMOPLASTIC, UL94V-0
②	POST CONTACT	BRASS, NICKEL UNDER PLATING, TIN PLATING ON PIN AREA
③	RADIAL PIN	
④	RADIAL TAPE	THERMAL PAPER
⑤	BACKING PAPER	CRAFT PAPER

THIS DRAWING IS A CONTROLLED DOCUMENT.

DWN: 22OCT2018 WARREN HUO
 CHK: 25OCT2018 DANIEL ZHANG
 APVD: 25OCT2018 DANIEL ZHANG

DIMENSIONS: mm

TOLERANCES UNLESS OTHERWISE SPECIFIED:

0 PLC	±0.50
1 PLC	±0.30
2 PLC	±0.20
3 PLC	±0.10
4 PLC	±
ANGLES	±5°
FINISH	

MATERIAL: SEE TABLE 1

PRODUCT SPEC: 108-2418
 APPLICATION SPEC: 114-13315
 WEIGHT: -

CUSTOMER DRAWING

STE TE Connectivity

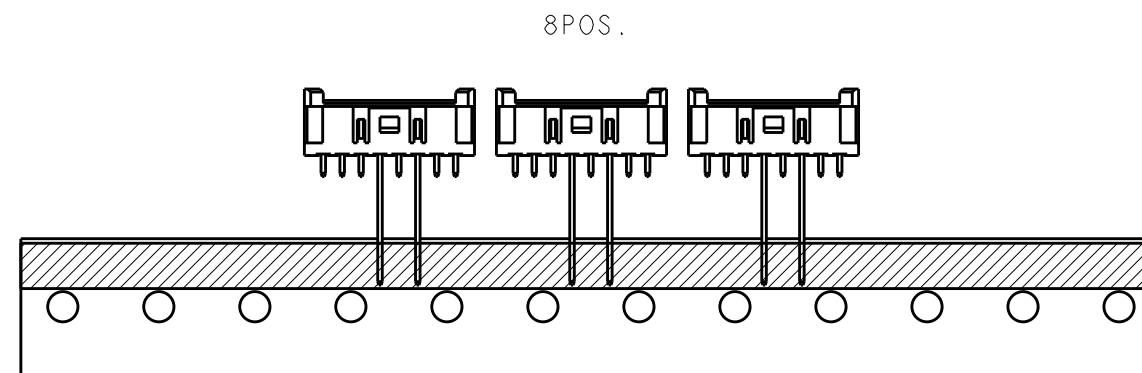
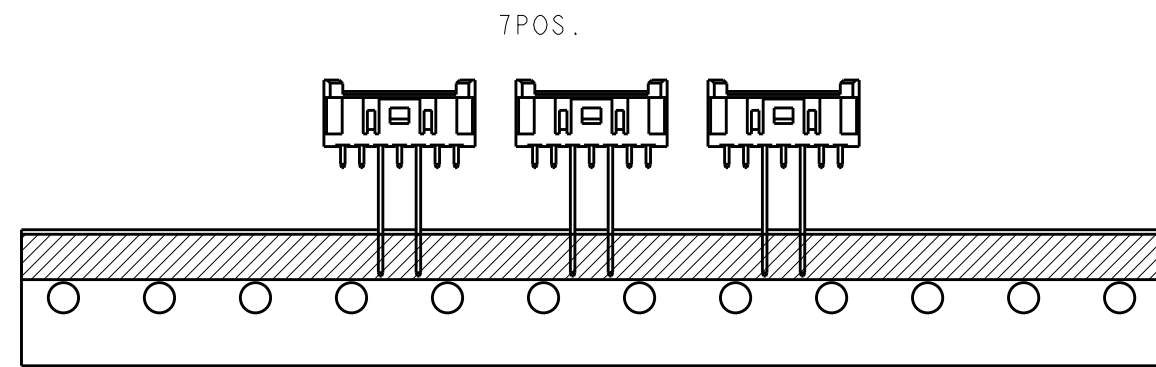
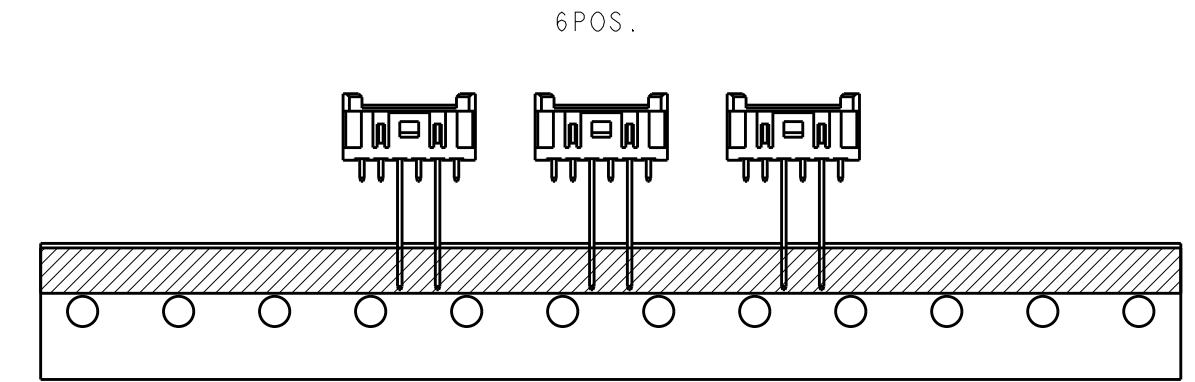
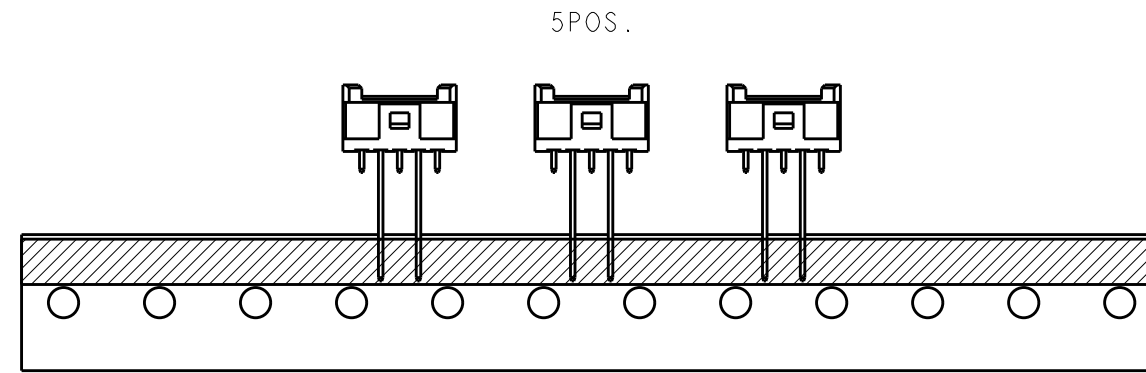
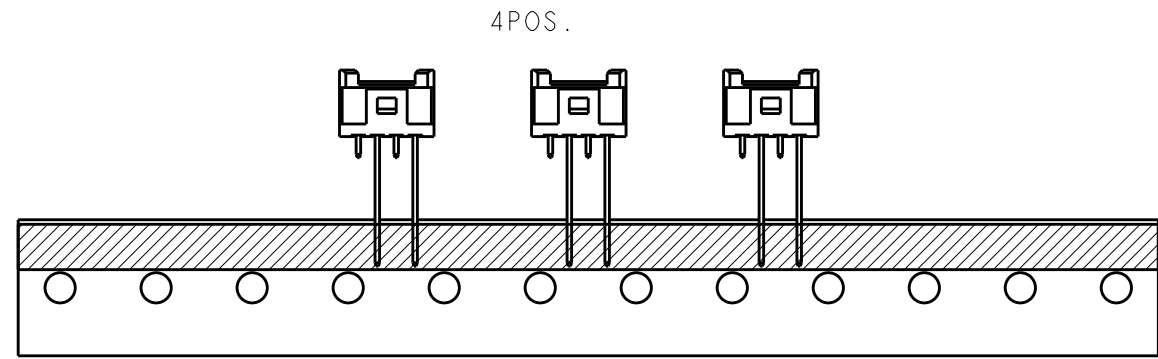
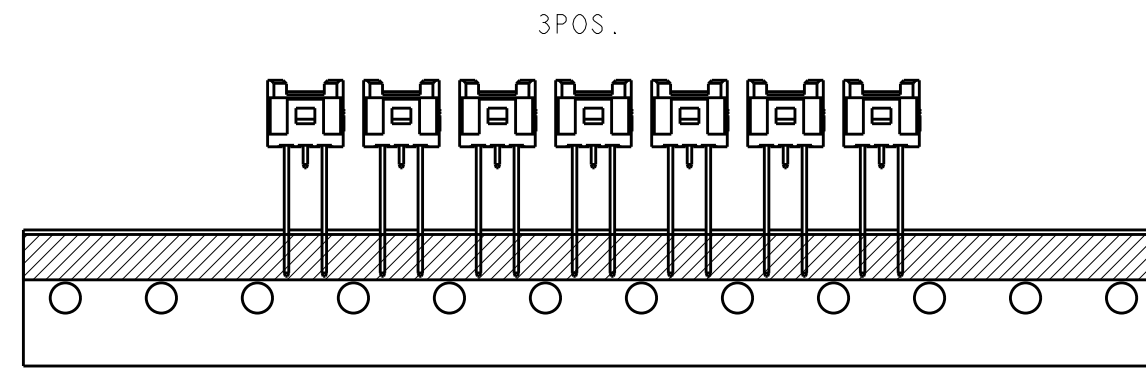
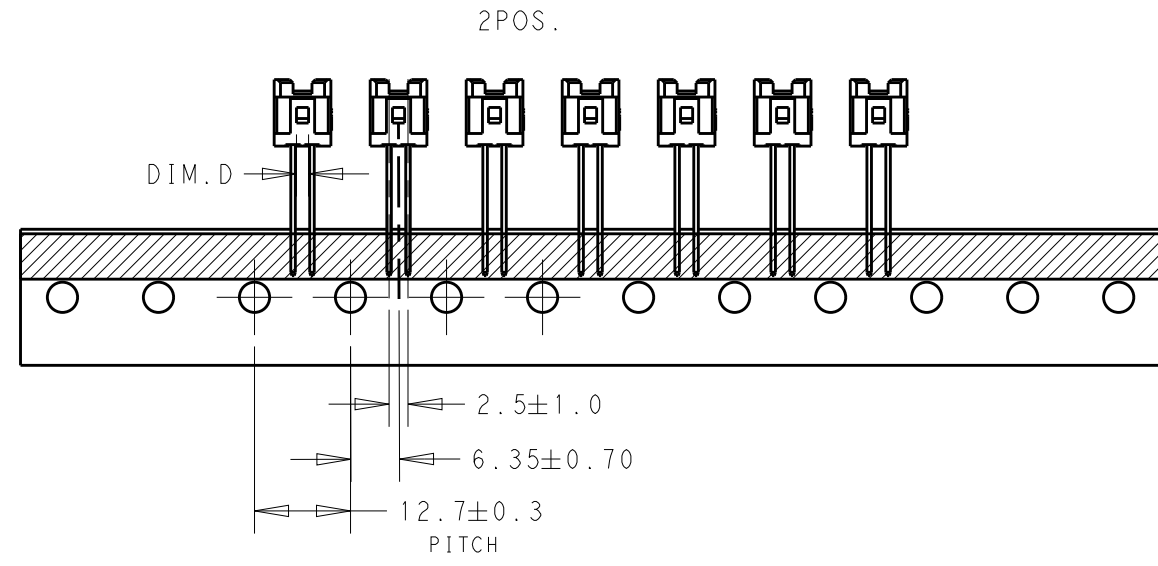
NAME: HEADER ASSEMBLY, VERTICAL ECONOMY POWER, 2.5mm CENTERLINE TAPING VERSION, UL VERSION

SIZE: A2 CAGE CODE: 00779 DRAWING NO: C-2338853 RESTRICTED TO: -

SCALE: N/A SHEET 1 OF 2 REV A

THIS DRAWING IS UNPUBLISHED. RELEASED FOR PUBLICATION
 © COPYRIGHT copyright.d8te- ALL RIGHTS RESERVED.

REVISIONS					
P	LTR	DESCRIPTION	DATE	DWN	APVD
-		SEE SHEET 1	-	-	-



B	450	2.50	17.50	20.83	22.50	8	2338853-8	1-2338853-8	2-2338853-8	3-2338853-8	4-2338853-8	5-2338853-8
B	450	2.50	15.00	18.33	20.00	7	2338853-7	1-2338853-7	2-2338853-7	3-2338853-7	4-2338853-7	5-2338853-7
B	450	2.50	12.50	15.83	17.50	6	2338853-6	1-2338853-6	2-2338853-6	3-2338853-6	4-2338853-6	5-2338853-6
B	450	2.50	10.00	13.33	15.00	5	2338853-5	1-2338853-5	2-2338853-5	3-2338853-5	4-2338853-5	5-2338853-5
B	450	2.50	7.50	10.83	12.50	4	2338853-4	1-2338853-4	2-2338853-4	3-2338853-4	4-2338853-4	5-2338853-4
A	900	2.50	5.00	8.33	10.00	3	2338853-3	1-2338853-3	2-2338853-3	3-2338853-3	4-2338853-3	5-2338853-3
A	900	1.60	2.50	5.83	7.50	2	2338853-2	1-2338853-2	2-2338853-2	3-2338853-2	4-2338853-2	5-2338853-2
A	900	0.85	2.50	5.83	7.50	2	2338853-1	1-2338853-1	2-2338853-1	3-2338853-1	4-2338853-1	5-2338853-1
TAPING STYLE	QTY	DIM.D	DIM.C	DIM.B	DIM.A	POS.	PART NO (NATURAL COLOR)	PART NO (RED COLOR)	PART NO (BLUE COLOR)	PART NO (BLACK COLOR)	PART NO (YELLOW COLOR)	PART NO (GREEN COLOR)

THIS DRAWING IS A CONTROLLED DOCUMENT.

DWN 22OCT2018
 WAAREN HUO
 CHK 25OCT2018
 DANIEL ZHANG
 APVD 25OCT2018
 DANIEL ZHANG

PRODUCT SPEC 108-2418
 APPLICATION SPEC 114-13315
 WEIGHT -

STE TE Connectivity

NAME: HEADER ASSEMBLY, VERTICAL ECONOMY POWER, 2.5mm CENTERLINE TAPING VERSION, UL VERSION

SIZE: A2 CAGE CODE: 00779 DRAWING NO: C-2338853 RESTRICTED TO: -

CUSTOMER DRAWING SCALE: N/A SHEET 2 OF 2 REV A

DIMENSIONS: mm

TOLERANCES UNLESS OTHERWISE SPECIFIED:

0 PLC	±0.50
1 PLC	±0.30
2 PLC	±0.20
3 PLC	±0.10
4 PLC	±
ANGLES	±5°
FINISH	

MATERIAL: SEE TABLE 1

X-ON Electronics

Largest Supplier of Electrical and Electronic Components

Click to view similar products for [Headers & Wire Housings](#) category:

Click to view products by [TE Connectivity](#) manufacturer:

Other Similar products are found below :

[892-18-020-10-001101](#) [58102-G61-06LF](#) [582553-1](#) [0009485154](#) [009176003701906](#) [0050291907](#) [LY20-4P-DT1-P1E-BR](#) [02.125.8002.8](#)
[609-3404](#) [61062-3](#) [61082-181009](#) [622-3653LF](#) [63453-116](#) [636-1030](#) [636-1427](#) [636-3427](#) [636-4007](#) [641938-9](#) [641991-4](#) [644827-2](#) [65817-010LF](#) [65817-015LF](#) [65863-015LF](#) [66207-023LF](#) [67095-007LF](#) [67601157](#) [68645-018](#) [68648-049](#) [70.362.1628.0](#) [70-4210](#) [70-4226B](#) [70-4853B](#) [707-5020](#) [707-5028](#) [71.350.2428.0](#) [71918-208LF](#) [71961-016LF](#) [733-134](#) [733-162](#) [754199-000](#) [760-3052](#) [787-8014-00](#) [79531-3000](#)
[FCN-360C032-B](#) [FCN-367T-T012/H](#) [FCN-723D010/2](#) [80.063.4001.1](#) [800-90-001-10-001000](#) [800-90-010-10-002000](#) [801-43-002-10-013000](#)