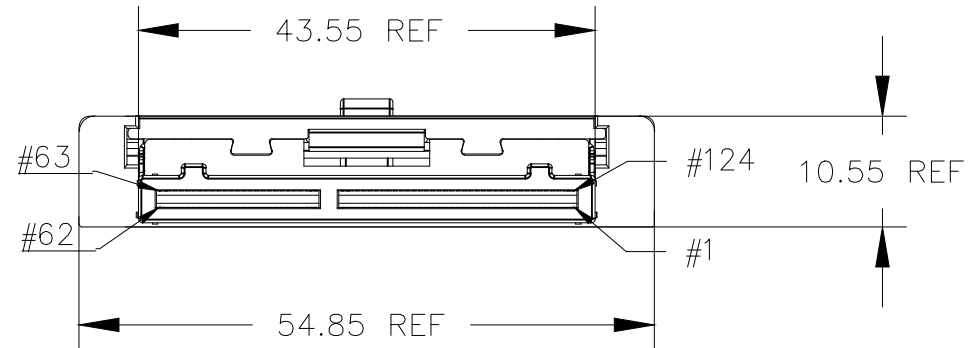
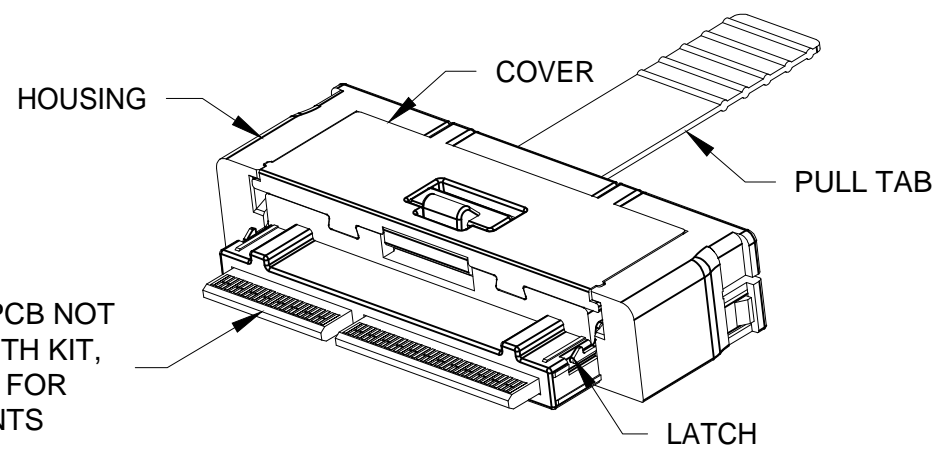
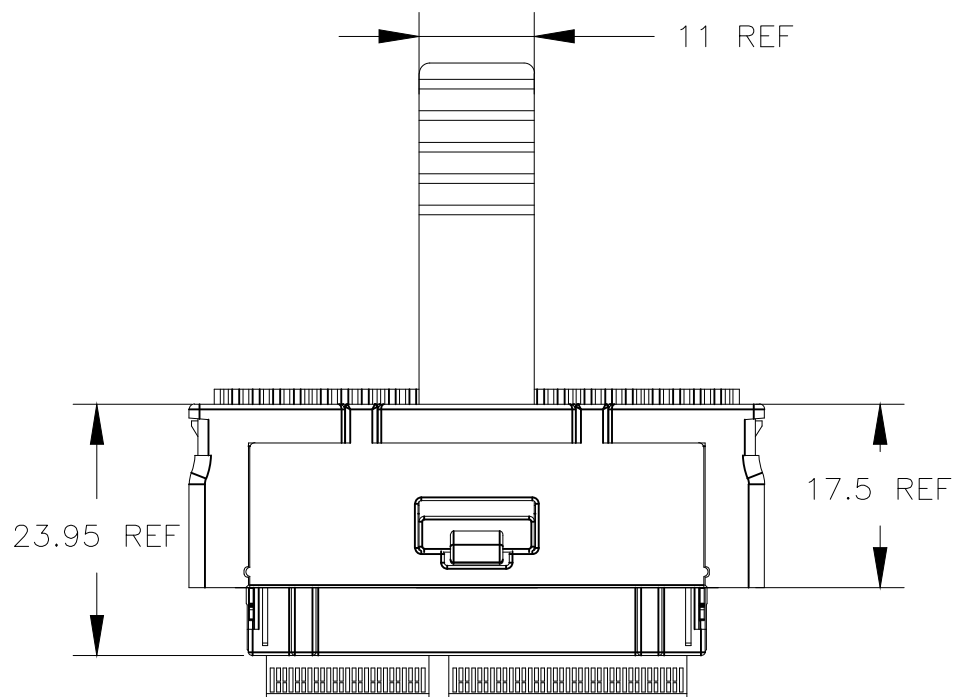


THIS DRAWING IS UNPUBLISHED. RELEASED FOR PUBLICATION
 © COPYRIGHT - TE Connectivity Ltd. ALL RIGHTS RESERVED.

REVISIONS					
P	LTR	DESCRIPTION	DATE	DWN	APVD
	A	SEE SHEET 3	-	-	-

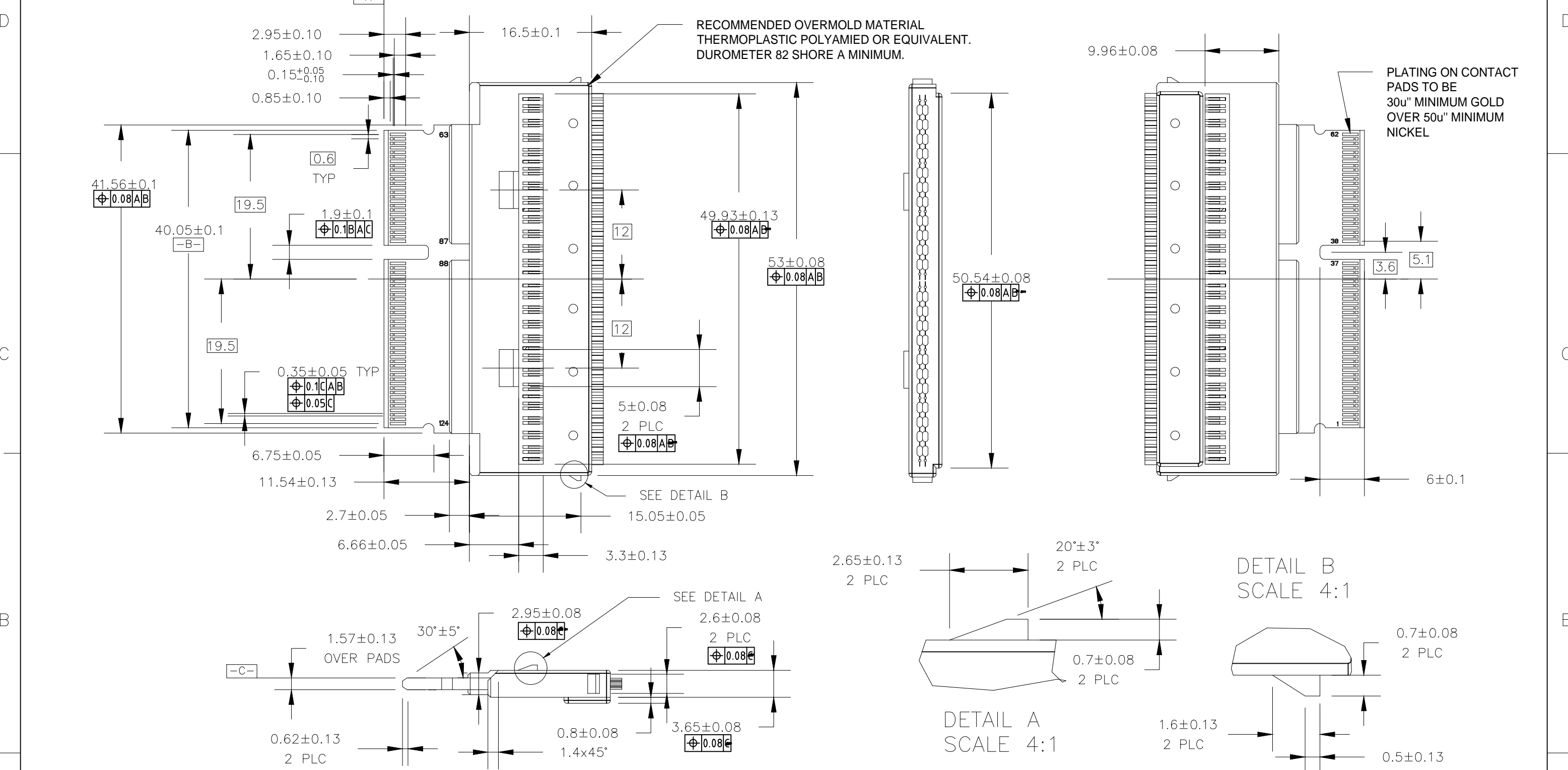


NOTE:
 1. PRODUCT AND PROCESS MEETS REQUIREMENT OF TE SPECIFICATION TEC-138-702.
 2. SEE SHEET 2 FOR OVERMOLD PCB REQUIREMENTS.

THIS DRAWING IS A CONTROLLED DOCUMENT.		DWN ANDY HOU 24AUG2018			
DIMENSIONS: mm		CHK DAVID ZHANG 24AUG2018			
TOLERANCES UNLESS OTHERWISE SPECIFIED:		APVD DAVID ZHANG 24AUG2018	NAME PLUG KIT, 124 POSN, SLIVER		
		PRODUCT SPEC -	SIZE A3		
MATERIAL -		FINISH -	APPLICATION SPEC -	CAGE CODE 00779	DRAWING NO C-2339107
		WEIGHT NA	RESTRICTED TO -		
CUSTOMER DRAWING			SCALE 1:1	SHEET 1 of 3	REV A

THIS DRAWING IS UNPUBLISHED. RELEASED FOR PUBLICATION
 © COPYRIGHT - TE Connectivity Ltd. ALL RIGHTS RESERVED.

REVISIONS				
P	LTR	DESCRIPTION	DATE	APVD
-	-	SEE SHEET 1	-	-



THIS DRAWING IS A CONTROLLED DOCUMENT.		DWN ANDY HOU 24AUG2018	TE Connectivity		
DIMENSIONS: mm		CHK DAVID ZHANG 24AUG2018			
TOLERANCES UNLESS OTHERWISE SPECIFIED:		APVD DAVID ZHANG 24AUG2018	PRODUCT SPEC		
0 PLC ± - 1 PLC ± - 2 PLC ± - 3 PLC ± - 4 PLC ± - ANGLES ± -		APPLICATION SPEC	RESTRICTED TO		
MATERIAL		WEIGHT NA	SIZE A3	CAGE CODE 00779	DRAWING NO C-2339107
FINISH		CUSTOMER DRAWING		SCALE 1:1	SHEET 2 OF 3
				REV A	

THIS DRAWING IS UNPUBLISHED. RELEASED FOR PUBLICATION
 © COPYRIGHT - TE Connectivity Ltd. ALL RIGHTS RESERVED.

REVISIONS					
P	LTR	DESCRIPTION	DATE	DWN	APVD
	-	SEE SHEET 1	-	-	-

2339107						STOCK DISPOSITION			
REVISION HISTORY						A: CONTINUE AS IS D: USE OLD FIRST B: REWORK E: PARTS TO CONFORM C: SCRAP F: OTHER			
DATE	REV	CHANGES	REASON	APPROVAL	INVENTORY (A,B,C,D,E,F)	WORK IN PROCESS (A,B,C,F)	SUPPLIER ORDERS (A,E,F)	OPEN CUST ORDERS (A,E,F)	
24AUG2018	A	INITIAL RELEASE	INITIAL RELEASE	DZ					

THIS DRAWING IS A CONTROLLED DOCUMENT.		DWN ANDY HOU 24AUG2018	STE TE Connectivity				
DIMENSIONS: mm		CHK DAVID ZHANG 24AUG2018					
TOLERANCES UNLESS OTHERWISE SPECIFIED:		APVD DAVID ZHANG 24AUG2018	NAME PLUG KIT, 124 POSN, SLIVER				
0 PLC ± - 1 PLC ± - 2 PLC ± - 3 PLC ± - 4 PLC ± - ANGLES ± -		PRODUCT SPEC -	-				
MATERIAL -		APPLICATION SPEC -	SIZE A3	CAGE CODE 00779	DRAWING NO C-2339107	RESTRICTED TO -	
FINISH -		WEIGHT NA	CUSTOMER DRAWING		SCALE 1:1	SHEET 3 OF 3	REV A

X-ON Electronics

Largest Supplier of Electrical and Electronic Components

Click to view similar products for [I/O Connectors](#) category:

Click to view products by [TE Connectivity](#) manufacturer:

Other Similar products are found below :

[571763P](#) [58098-0628](#) [72.250.1628.2](#) [72.250.2428.2](#) [74720-0505](#) [76.350.0729.0](#) [76871-1403](#) [FCN-244F080-G/1](#) [FCN-260A9920](#) [PCR-E36PM](#) [PCS-XE26MA+](#) [G38A71314B](#) [1571250010](#) [157-22500-3](#) [MS3471L14-19P L/C](#) [172501-4002](#) [172501-6002](#) [FCN-260C008-A/L0](#) [FCN-260C024-AL0](#) [FCN-261Z008](#) [2000314-1](#) [200331-1](#) [PCR-E36FC+](#) [PCS-E28FS+](#) [PCS-XE26SLFD+](#) [PCS-XE26SLFDT+](#) [G730VID08BDC24](#) [U90B2054081210](#) [38113800006](#) [DP3AR020WQ1R200](#) [Z4.102.0680.0](#) [500-1040](#) [500-1052](#) [500-1054](#) [ZP-4008-66L](#) [0709821002](#) [DX40-20P\(55\)](#) [5554841-1](#) [MS3474W18-8P-LC*](#) [U90B3054061110](#) [U65-E04-4020](#) [ZPF000000000097891](#) [747360449](#) [10099439-003C-TRLF](#) [10137239-0021LF](#) [E9320-001-01](#) [10137239-0011LF](#) [70289-001LF](#) [70.060.1028.0](#) [109029-ZZ](#)