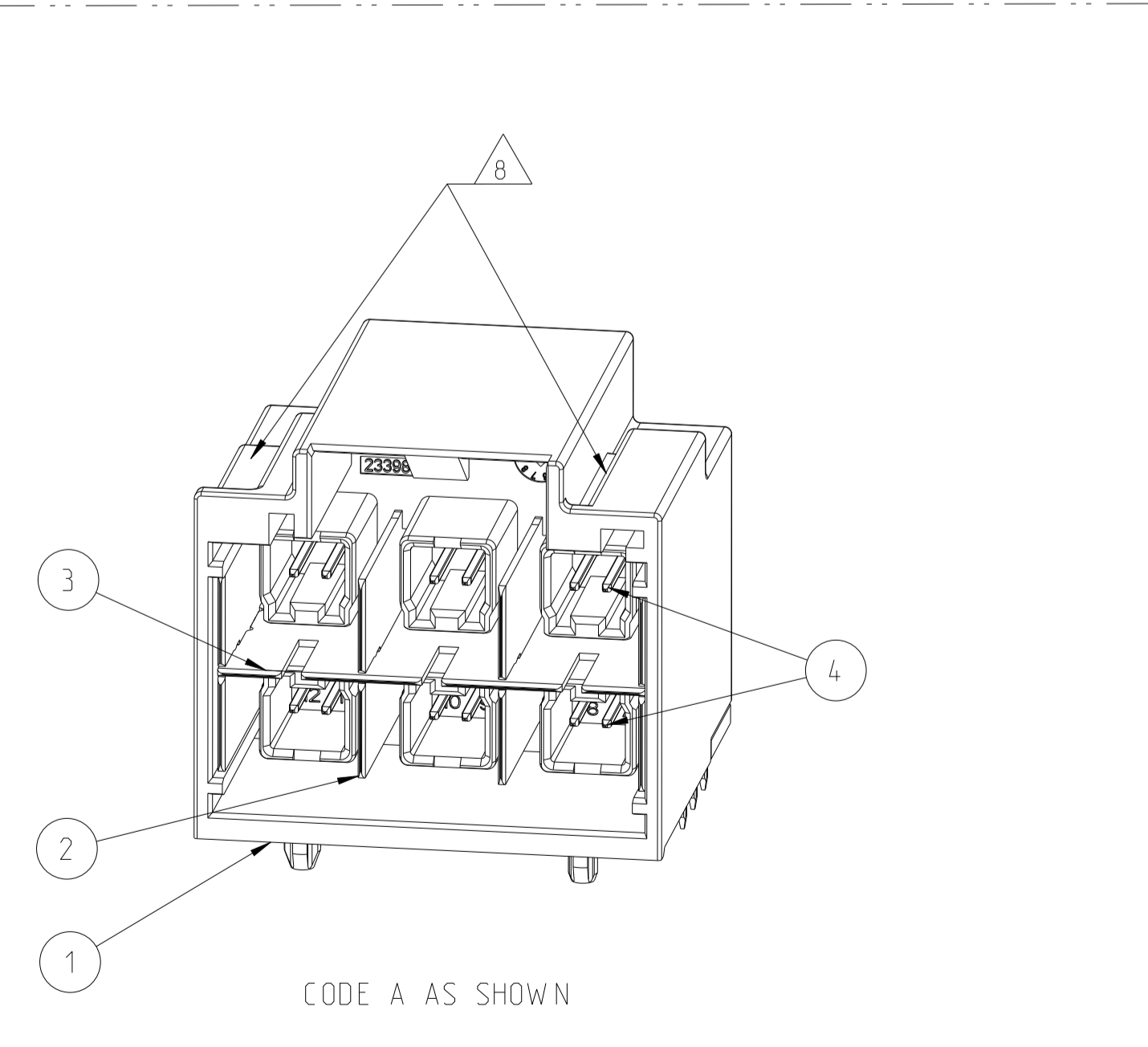
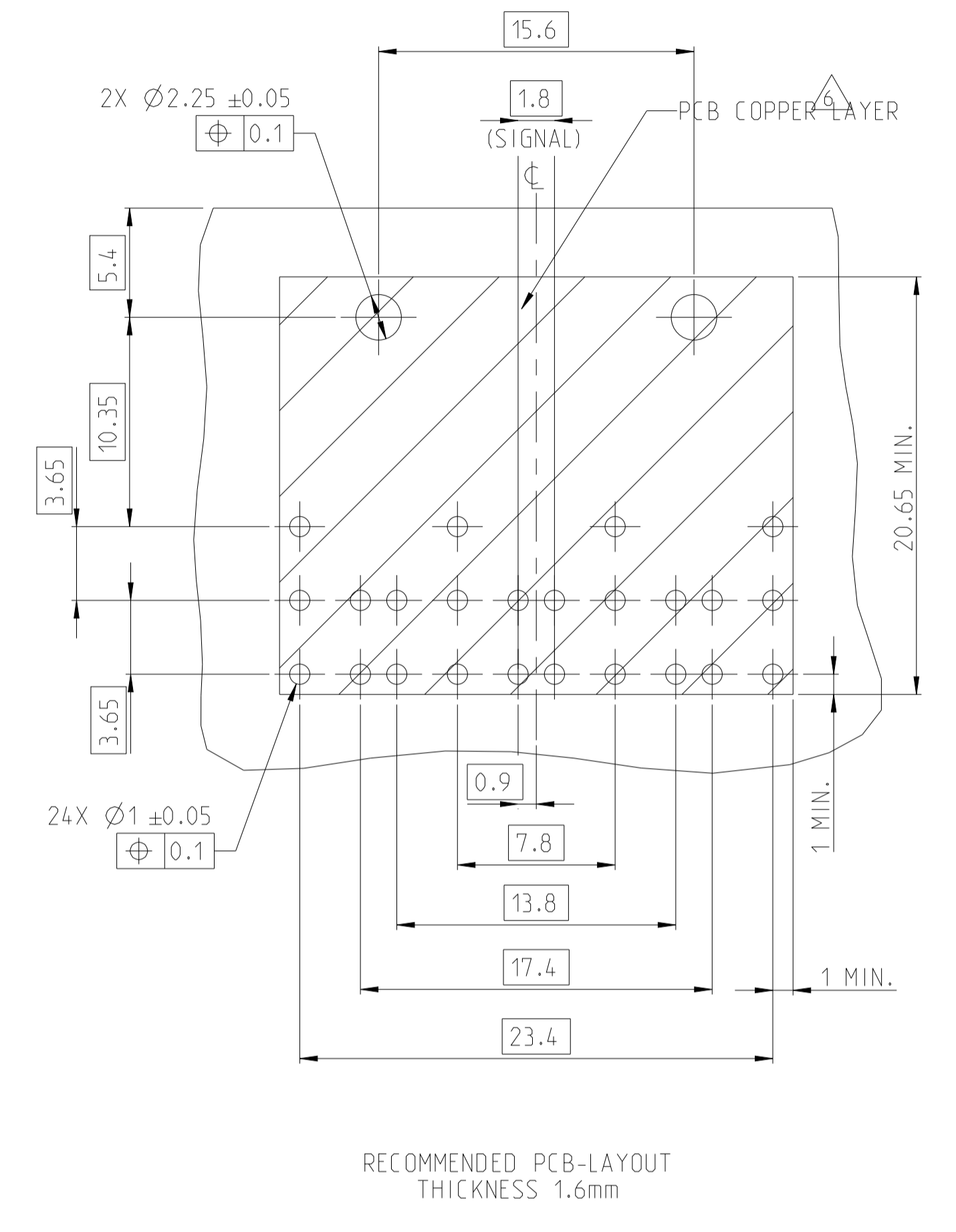
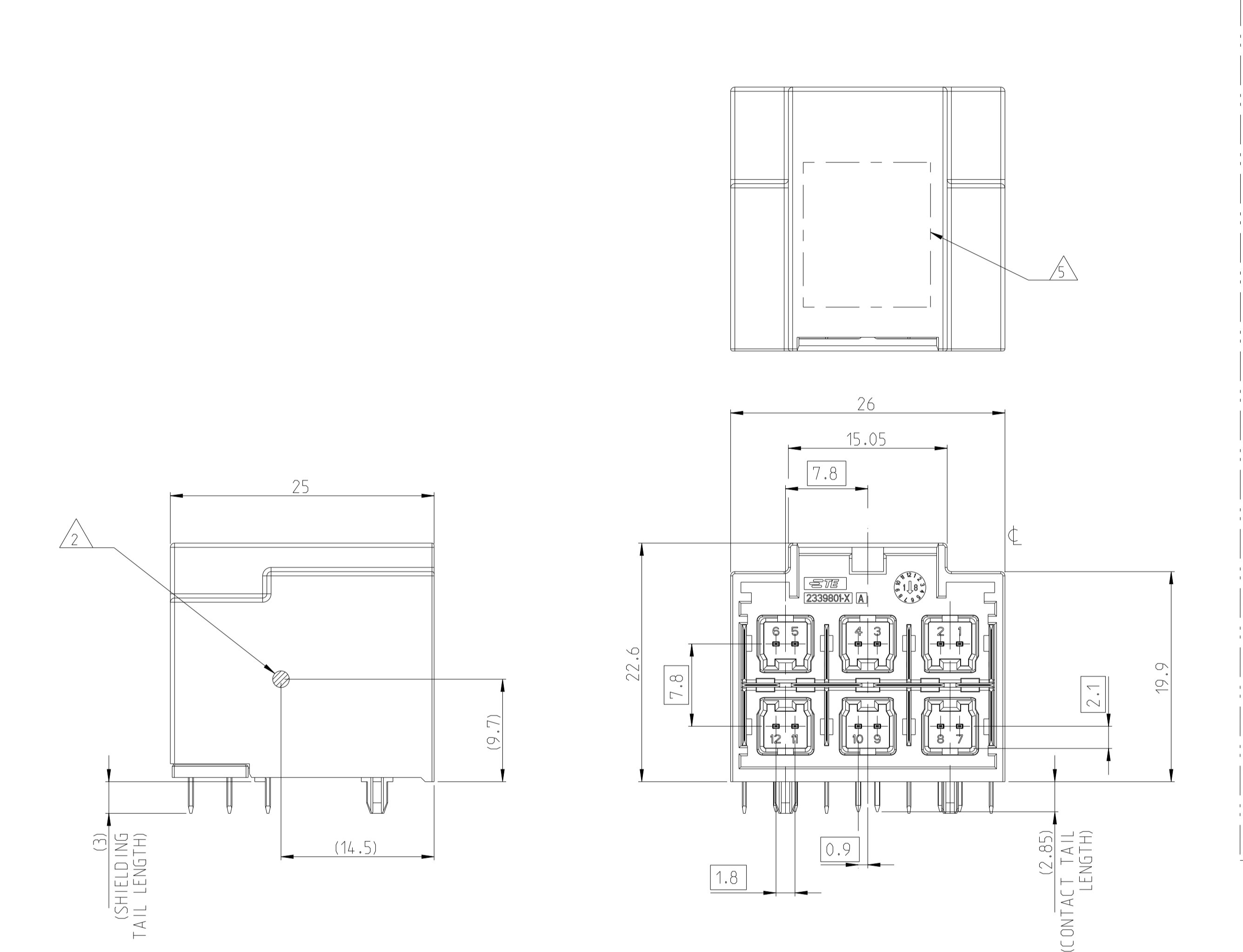
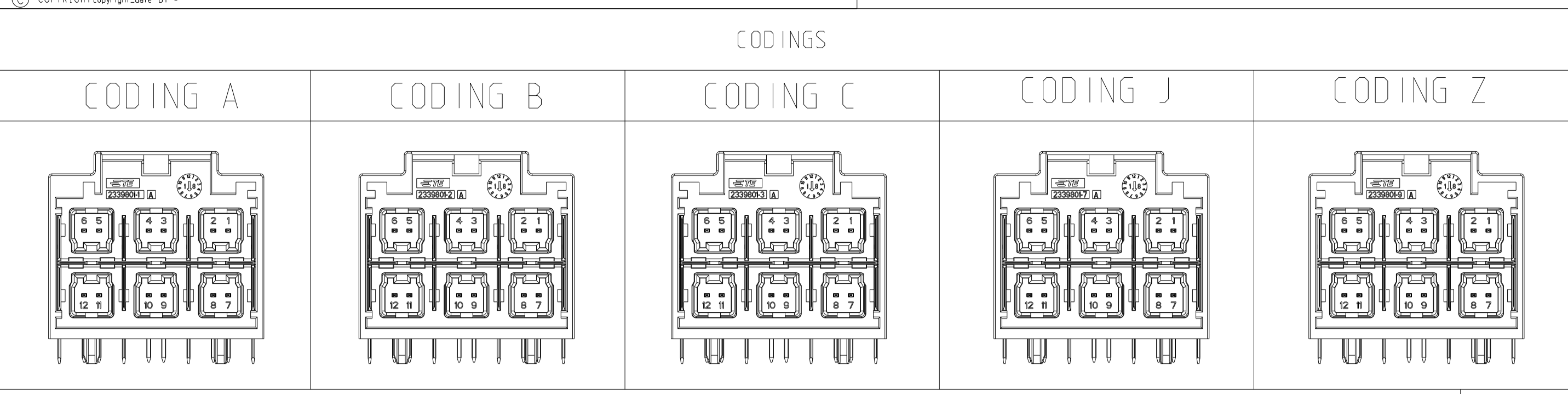


REVISIONS				
P	LTN	DESCRIPTION	DATE	OWN APVD
A1		REVISED (ECO-19-007137)	13MAY19	A.H W.W
A2		REVISED (ECO-19-018741)	10DEC19	A.H W.W
A3		REVISED (ECO-21-001090)	26JAN21	A.H I.Y
A4		REVISED (ECO-21-003425)	17MAR21	A.H I.Y



PN FOR PACKAGE IN TUBE	PN FOR PACKAGE IN TRAY	REV.	CODE	QTY.	DESCRIPTION	MATERIAL	WEIGHT (g)	COLOR/SURFACE	POS	
4-2339800-9	A	Z	12	1	PIN	Cu ALLOY	13.96	Ni/Sn	4	
					1	HORIZONTAL SHIELD		Cu ALLOY	PRE-TIN	3
					4	VERTICAL SHIELD		Cu ALLOY	PRE-TIN	2
4-2339800-7	A	J	12	1	PIN	Cu ALLOY	13.96	Ni/Sn	4	
					1	HORIZONTAL SHIELD		Cu ALLOY	PRE-TIN	3
					4	VERTICAL SHIELD		Cu ALLOY	PRE-TIN	2
4-2339800-3	A	C	12	1	PIN	Cu ALLOY	13.96	Ni/Sn	4	
					1	HORIZONTAL SHIELD		Cu ALLOY	PRE-TIN	3
					4	VERTICAL SHIELD		Cu ALLOY	PRE-TIN	2
4-2339800-2	A	B	12	1	PIN	Cu ALLOY	13.96	Ni/Sn	4	
					1	HORIZONTAL SHIELD		Cu ALLOY	PRE-TIN	3
					4	VERTICAL SHIELD		Cu ALLOY	PRE-TIN	2
4-2339800-1	A	A	12	1	PIN	Cu ALLOY	13.96	Ni/Sn	4	
					1	HORIZONTAL SHIELD		Cu ALLOY	PRE-TIN	3
					4	VERTICAL SHIELD		Cu ALLOY	PRE-TIN	2
3-2339800-9	2-2339800-9	A	Z	12	PIN	Cu ALLOY	13.96	Ni/Sn	4	
					1	HORIZONTAL SHIELD		Cu ALLOY	PRE-TIN	3
					4	VERTICAL SHIELD		STAINLESS STEEL	PRE-TIN	2
3-2339800-7	2-2339800-7	A	J	12	PIN	Cu ALLOY	13.96	Ni/Sn	4	
					1	HORIZONTAL SHIELD		Cu ALLOY	PRE-TIN	3
					4	VERTICAL SHIELD		STAINLESS STEEL	PRE-TIN	2
3-2339800-3	2-2339800-3	A	C	12	PIN	Cu ALLOY	13.96	Ni/Sn	4	
					1	HORIZONTAL SHIELD		Cu ALLOY	PRE-TIN	3
					4	VERTICAL SHIELD		STAINLESS STEEL	PRE-TIN	2
3-2339800-2	2-2339800-2	A	B	12	PIN	Cu ALLOY	13.96	Ni/Sn	4	
					1	HORIZONTAL SHIELD		Cu ALLOY	PRE-TIN	3
					4	VERTICAL SHIELD		STAINLESS STEEL	PRE-TIN	2
3-2339800-1	2-2339800-1	A	A	12	PIN	Cu ALLOY	13.96	Ni/Sn	4	
					1	HORIZONTAL SHIELD		Cu ALLOY	PRE-TIN	3
					4	VERTICAL SHIELD		STAINLESS STEEL	PRE-TIN	2
1-2339800-9	2339800-9	A	Z	12	PIN	Cu ALLOY	13.96	Ni/Sn	4	
					1	HORIZONTAL SHIELD		Cu ALLOY	PRE-TIN	3
					4	VERTICAL SHIELD		Cu ALLOY	PRE-TIN	2
1-2339800-7	2339800-7	A	J	12	PIN	Cu ALLOY	13.96	Ni/Sn	4	
					1	HORIZONTAL SHIELD		Cu ALLOY	PRE-TIN	3
					4	VERTICAL SHIELD		Cu ALLOY	PRE-TIN	2
1-2339800-3	2339800-3	A	C	12	PIN	Cu ALLOY	13.96	Ni/Sn	4	
					1	HORIZONTAL SHIELD		Cu ALLOY	PRE-TIN	3
					4	VERTICAL SHIELD		Cu ALLOY	PRE-TIN	2
1-2339800-2	2339800-2	A	B	12	PIN	Cu ALLOY	13.96	Ni/Sn	4	
					1	HORIZONTAL SHIELD		Cu ALLOY	PRE-TIN	3
					4	VERTICAL SHIELD		Cu ALLOY	PRE-TIN	2
1-2339800-1	2339800-1	A	A	12	PIN	Cu ALLOY	13.96	Ni/Sn	4	
					1	HORIZONTAL SHIELD		Cu ALLOY	PRE-TIN	3
					4	VERTICAL SHIELD		Cu ALLOY	PRE-TIN	2

- 1 INTERFACE DESIGN ARE ACCORDING TO TE DRAWING: 208-18037
- 2 CENTER OF GRAVITY
- 3 ALL DIMENSIONS IN () FOR INFORMATION ONLY
- 4 SOLDERING PROCESS: LEAD FREE REFLOW SOLDERING IN REFERENCE TO JEDEC J-STD-020D
- 5 VACUM GRIP AREA FREE OF SCRATCH
- 6 PCB TOP LAYER MUST BE GND PLANE, EXCEPT THE NEED SIGNAL PATHES AND CUT OUT AREA
- 7 MATED WITH TE PLUG X-233538-X OR X-2334013-X OR X-2317303-X.
- 8 CUT OUT AREA IS VARIANT FOR CODINGS. DETAIL REFER TO CVM OR CONTACT WITH TE PRODUCT ENGINEER.
- 9 TRAY SIZE:350*260*36.7mm.
- 10 TRAY SIZE:320*125*36.7mm.

THIS DRAWING IS A CONTROLLED DOCUMENT. DWN: A.HUANG 19SEP18
 CHK: F.PAN 19SEP18
 APVD: W.WU 19SEP18

DIMENSIONS: mm
 TOLERANCES UNLESS OTHERWISE SPECIFIED:
 0 PLC ±0.3
 1 PLC ±0.3
 2 PLC ±0.2
 3 PLC ±0.2
 4 PLC ±0.2
 ANGLES FINISH ±0.2°

MATERIAL: see table
 FINISH: see table

WEIGHT: see table
 RESTRICTED CUSTOMER

NAME: MATEnet 90deg HEADER 2X3 PORTS
 SIZE: A1
 CAGE CODE: -
 DRAWING NO: C=2339800

RESTRICTED TO: A1
 SCALE: 3:1
 SHEET: 1 OF 1
 REV: A4

TE Connectivity

X-ON Electronics

Largest Supplier of Electrical and Electronic Components

Click to view similar products for [Headers & Wire Housings](#) category:

Click to view products by [TE Connectivity](#) manufacturer:

Other Similar products are found below :

[892-18-020-10-001101](#) [58102-G61-06LF](#) [582553-1](#) [0009485154](#) [009176003701906](#) [0050291907](#) [LY20-4P-DT1-P1E-BR](#) [02.125.8002.8](#)
[609-3404](#) [61062-3](#) [61082-181009](#) [622-3653LF](#) [63453-116](#) [636-1030](#) [636-1427](#) [636-3427](#) [636-4007](#) [641938-9](#) [641991-4](#) [644827-2](#) [65817-](#)
[010LF](#) [65817-015LF](#) [65863-015LF](#) [66207-023LF](#) [67095-007LF](#) [67601157](#) [68645-018](#) [68648-049](#) [70.362.1628.0](#) [70-4210](#) [70-4226B](#) [70-](#)
[4853B](#) [707-5020](#) [707-5028](#) [71.350.2428.0](#) [71918-208LF](#) [71961-016LF](#) [733-134](#) [733-162](#) [754199-000](#) [760-3052](#) [787-8014-00](#) [79531-3000](#)
[FCN-360C032-B](#) [FCN-367T-T012/H](#) [FCN-723D010/2](#) [80.063.4001.1](#) [800-90-001-10-001000](#) [800-90-010-10-002000](#) [801-43-002-10-013000](#)