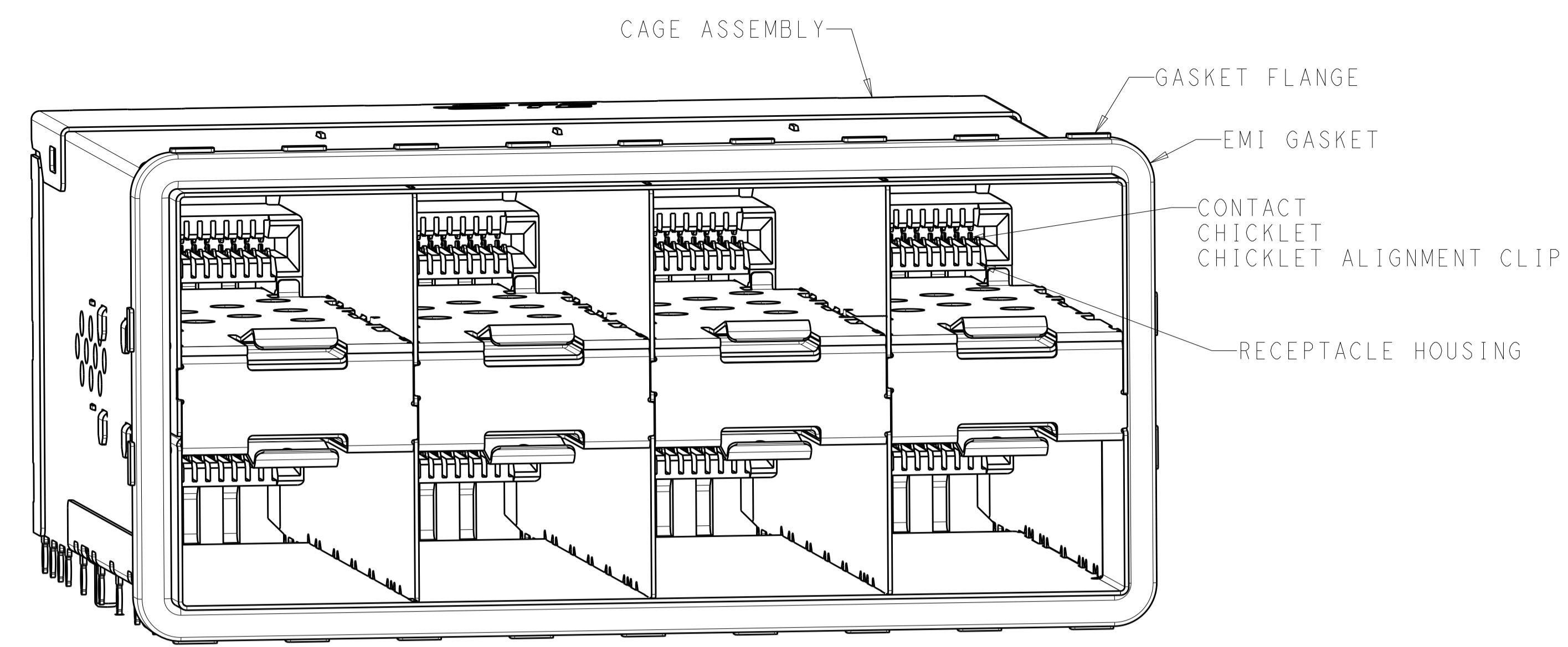
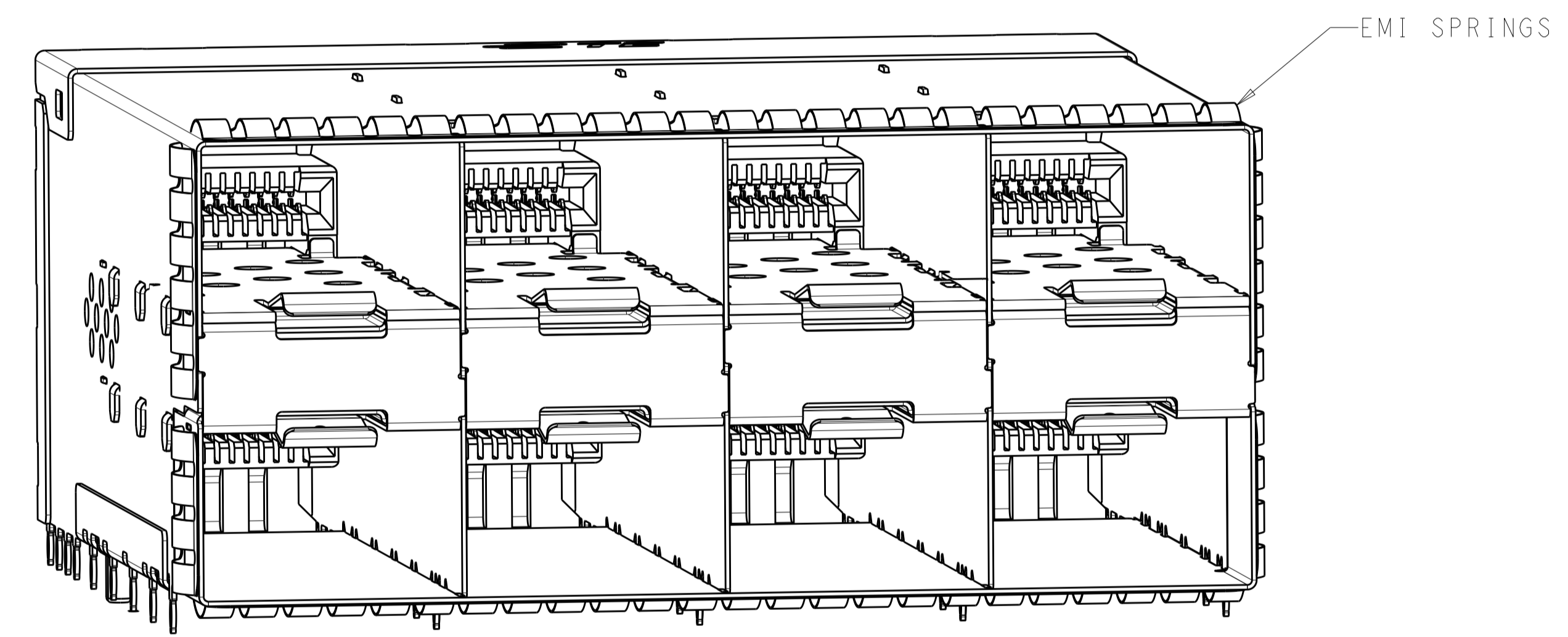


| LOC |     | DIST                      |           | REVISIONS |      |  |  |
|-----|-----|---------------------------|-----------|-----------|------|--|--|
| P   | LTN | DESCRIPTION               | DATE      | DMN       | APVD |  |  |
| A   |     | PRODUCTION RELEASE        | 05JUN2018 | JW        | SH   |  |  |
| B   |     | REVISED PER ECO-19-014631 | 24SEP2019 | JY        | SH   |  |  |

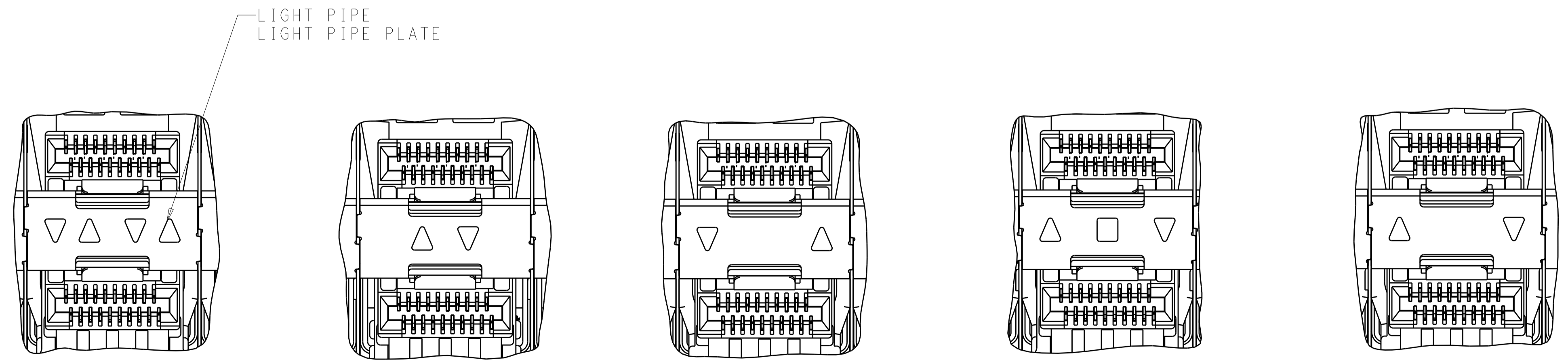


2339978-1  
SCALE 4:1



2339978-5  
SCALE 4:1

- MATERIALS:  
 CAGE ASSEMBLY - NICKEL-SILVER ALLOY PER ASTM B 122  
 CONNECTOR HOUSING - LCP, BLACK, UL 94V-O RATED  
 CHICKLET - LCP, BLACK, UL 94V-O RATED  
 CHICKLET ALIGNMENT CLIP - LCP, BLACK, UL 94V-O RATED  
 CONTACT - COPPER ALLOY  
 EMI GASKET - ELASTOMERIC  
 GASKET FLANGE - STAINLESS STEEL  
 EMI SPRINGS - PHOSPHOR BRONZE PER ASTM B 103,  
 0.8µm MIN TIN PER ASTM B 545  
 LIGHT PIPE - POLYCARBONATE  
 INSULATOR TAPE: KAPTON  
 LIGHT PIPE PLATE- STAINLESS STEEL
  - CONTACT FINISH:  
 CONFORMS TO THE REQUIREMENTS OF PRODUCT SPECIFICATION 108-2481,  
 BASED ON EIA/ECA-364-1000.01A, (CONTROLLED ENVIRONMENT  
 APPLICATIONS) ON MATING INTERFACE, TIN ON NEEDLE EYE
  - PCB MINIMUM THICKNESS = 1.5mm
- △ FOR HOLE SIZE AND PLATINGS,  
 SEE APPLICATION SPECIFICATION 114-13319
- △ LIGHT PIPE PAD LAYOUT IS FOR 0805 LOW PROFILE  
 LED PACKAGE WITH A HEIGHT OF 0.8mm
- △ DIMENSIONS APPLY FOR EMI SPRINGS ONLY
- △ THE ENTIRE AREA OF THE CONNECTOR FOOTPRINT, INDICATED BY THE  
 DASHED LINE, TO BE CONSIDERED THE KEEPOUT AREA FOR COMPONENTS  
 AND SIGNAL TRACES, TOP SIDE ONLY, TOP SIDE TRACES ALLOWED  
 WITHIN CONNECTOR HOLE PATTERN



INNER/OUTER LIGHT PIPES  
2339978-2, 2339978-6  
SCALE 4:1

INNER LIGHT PIPES  
2339978-3, 2339978-7  
SCALE 4:1

OUTER LIGHT PIPES  
2339978-4, 2339978-8  
SCALE 4:1

CENTER/REVERSED OUTER  
1-2339978-7, 1-2339978-9  
SCALE 4:1

REVERSED OUTER LIGHT PIPES  
1-2339978-8, 2-2339978-0  
SCALE 4:1

|       |  |                             |                |
|-------|--|-----------------------------|----------------|
| 59.5  | EMI SPRING<br>INSULATOR TAPE<br>AIRFLOW ENHANCE TYPE | NONE                        | 3-2339978-4    |
| 59.5  | EMI SPRING<br>AIRFLOW ENHANCE TYPE                   | OUTER                       | 3-2339978-3    |
| 59.5  | EMI SPRING<br>AIRFLOW ENHANCE TYPE                   | CENTER/REVERSED OUTER       | 3-2339978-2    |
| 59.5  | EMI SPRING<br>AIRFLOW ENHANCE TYPE                   | NONE                        | 3-2339978-1    |
| 62.25 | EMI GASKET<br>AIRFLOW ENHANCE TYPE                   | NONE                        | 3-2339978-0    |
| 59.5  | EMI SPRINGS  | REVERSED OUTER              | 2-2339978-0    |
|       |  | CENTER/REVERSED OUTER       | 1-2339978-9    |
| 62.25 | EMI GASKET   | REVERSED OUTER              | 1-2339978-8    |
|       |  | CENTER/REVERSED OUTER       | 1-2339978-7    |
| 59.5  | EMI SPRINGS  | OUTER                       | 2339978-8      |
|       |  | INNER                       | 2339978-7      |
|       |  | INNER/OUTER                 | 2339978-6      |
| 62.25 | EMI GASKET   | NONE                        | 2339978-5      |
|       |  | OUTER                       | 2339978-4      |
|       |  | INNER                       | 2339978-3      |
|       |  | INNER/OUTER                 | 2339978-2      |
|       |  | NONE                        | 2339978-1      |
| (E)   | CAGE TYPE  | LIGHT PIPE<br>CONFIGURATION | PART<br>NUMBER |

THIS DRAWING IS A CONTROLLED DOCUMENT.

DMN: J. WANG 17JUL2018  
 CHK: S. HAN 17JUL2018  
 APVD: S. HAN 17JUL2018

TE Connectivity

NAME: RECEPTACLE ASSEMBLY, 2X4, STACKED, SFP56

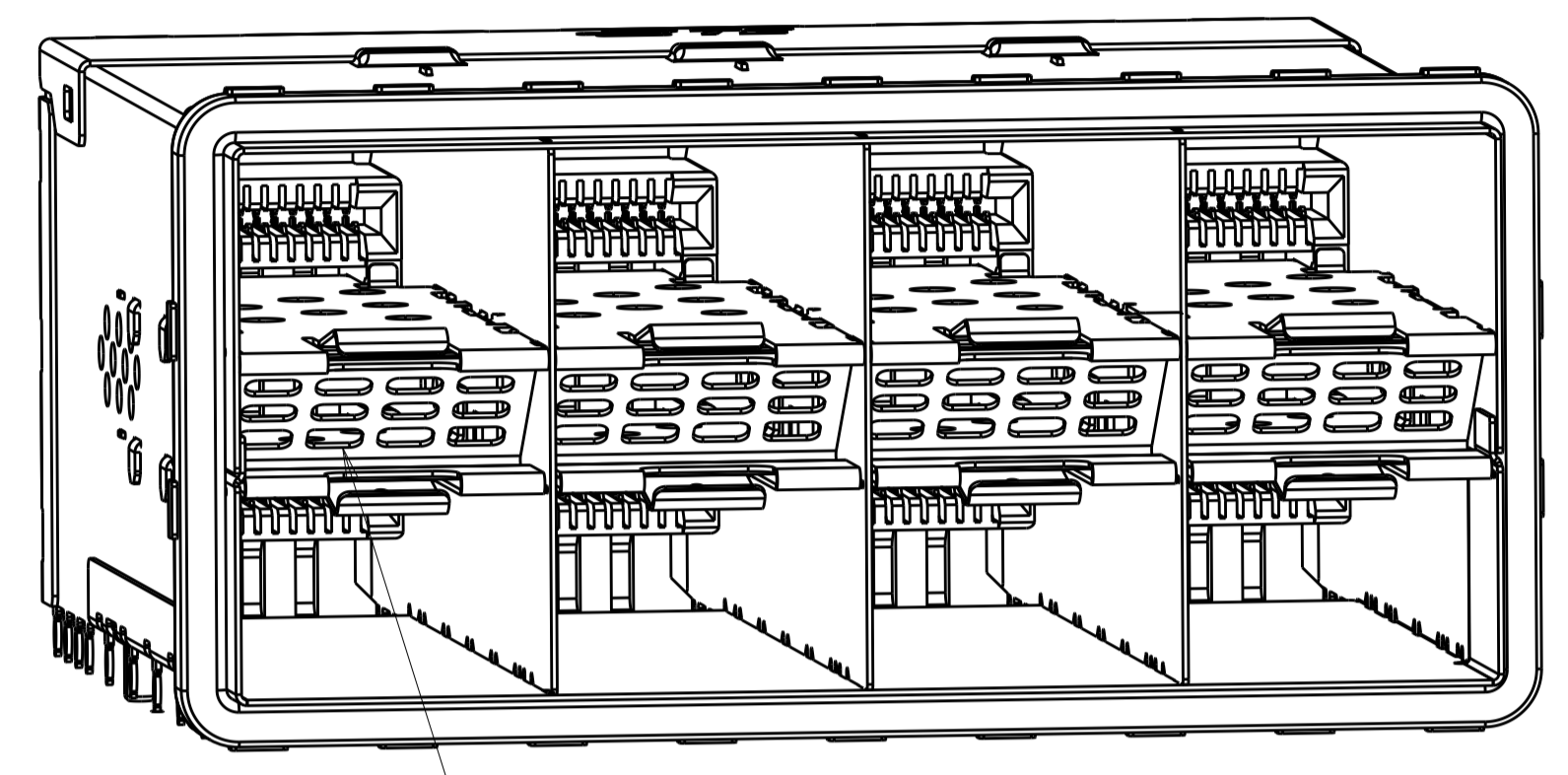
PRODUCT SPEC: 108-2481  
 APPLICATION SPEC: 114-13319

SIZE: A1 CAGE CODE: 00779 DRAWING NO: 2339978  
 WEIGHT: -  
 CUSTOMER DRAWING

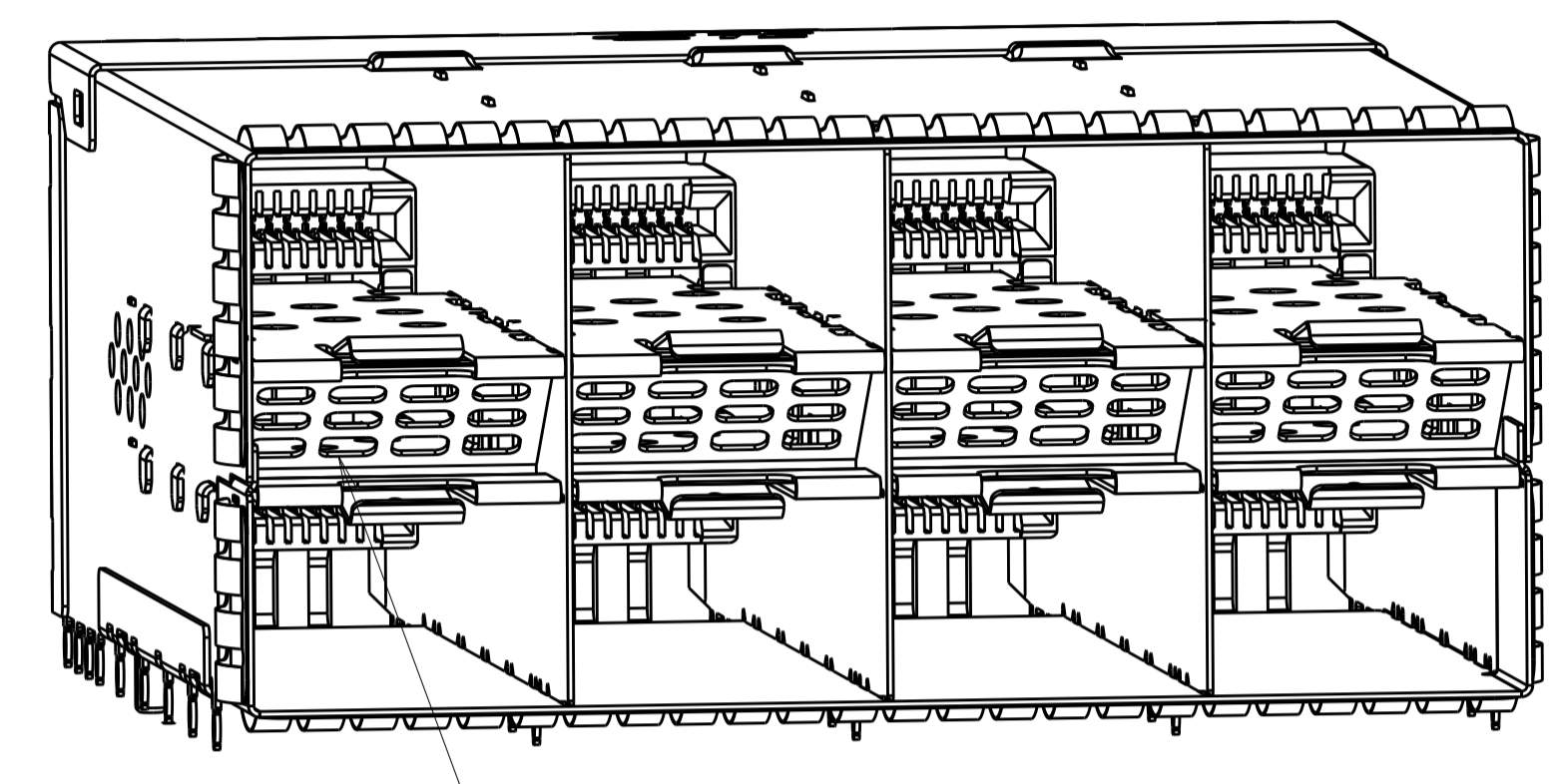
SCALE: 4:1 SHEET 1 OF 7 REV B

| LOC | DIST | REVISIONS |     |             |      |     |      |
|-----|------|-----------|-----|-------------|------|-----|------|
| GP  | 00   | P         | LTN | DESCRIPTION | DATE | OWN | APVD |
|     |      | -         |     | SEE SHEET 1 |      |     |      |

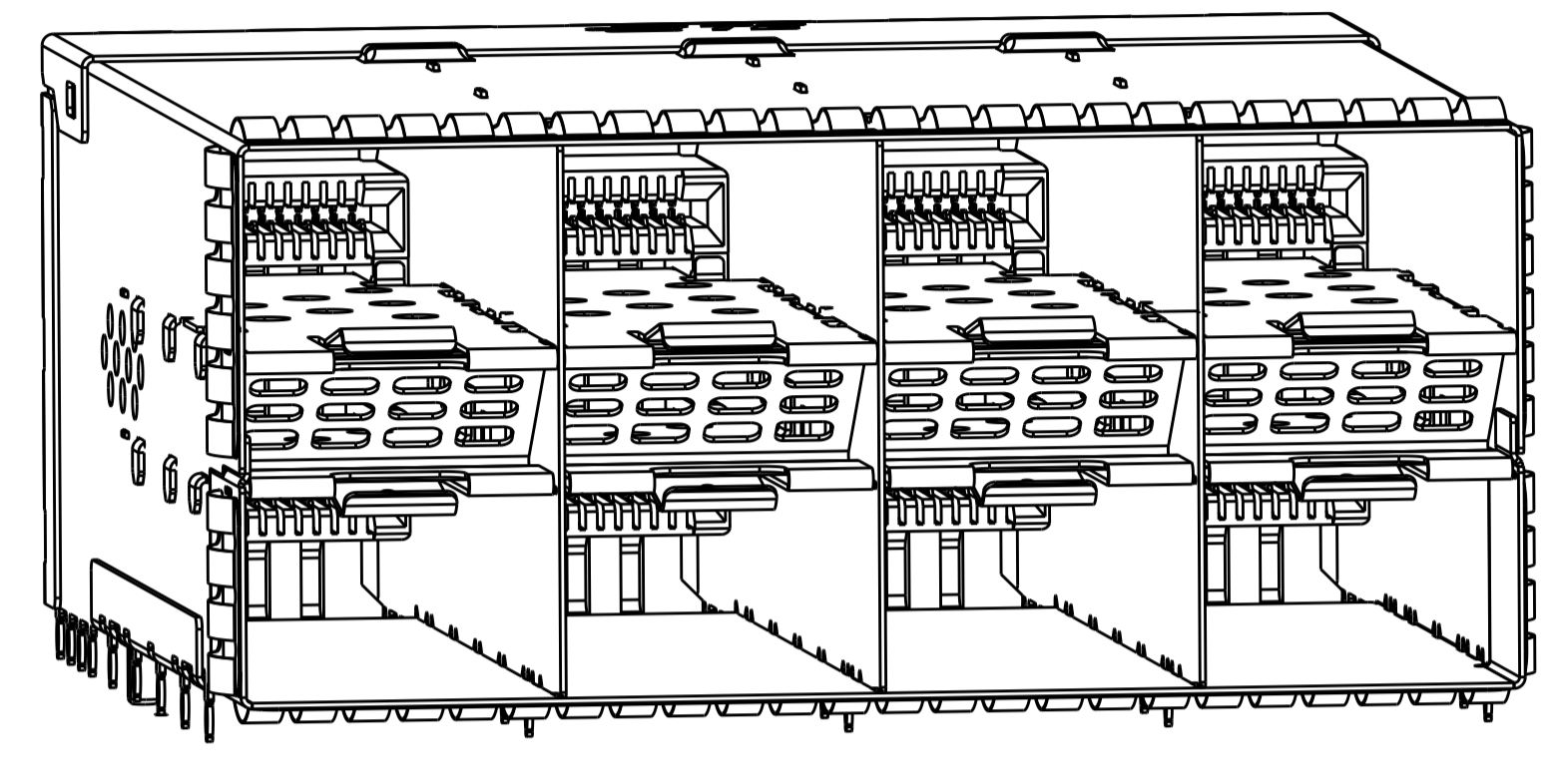
# AIRFLOW ENHANCE W/O LP TYPE



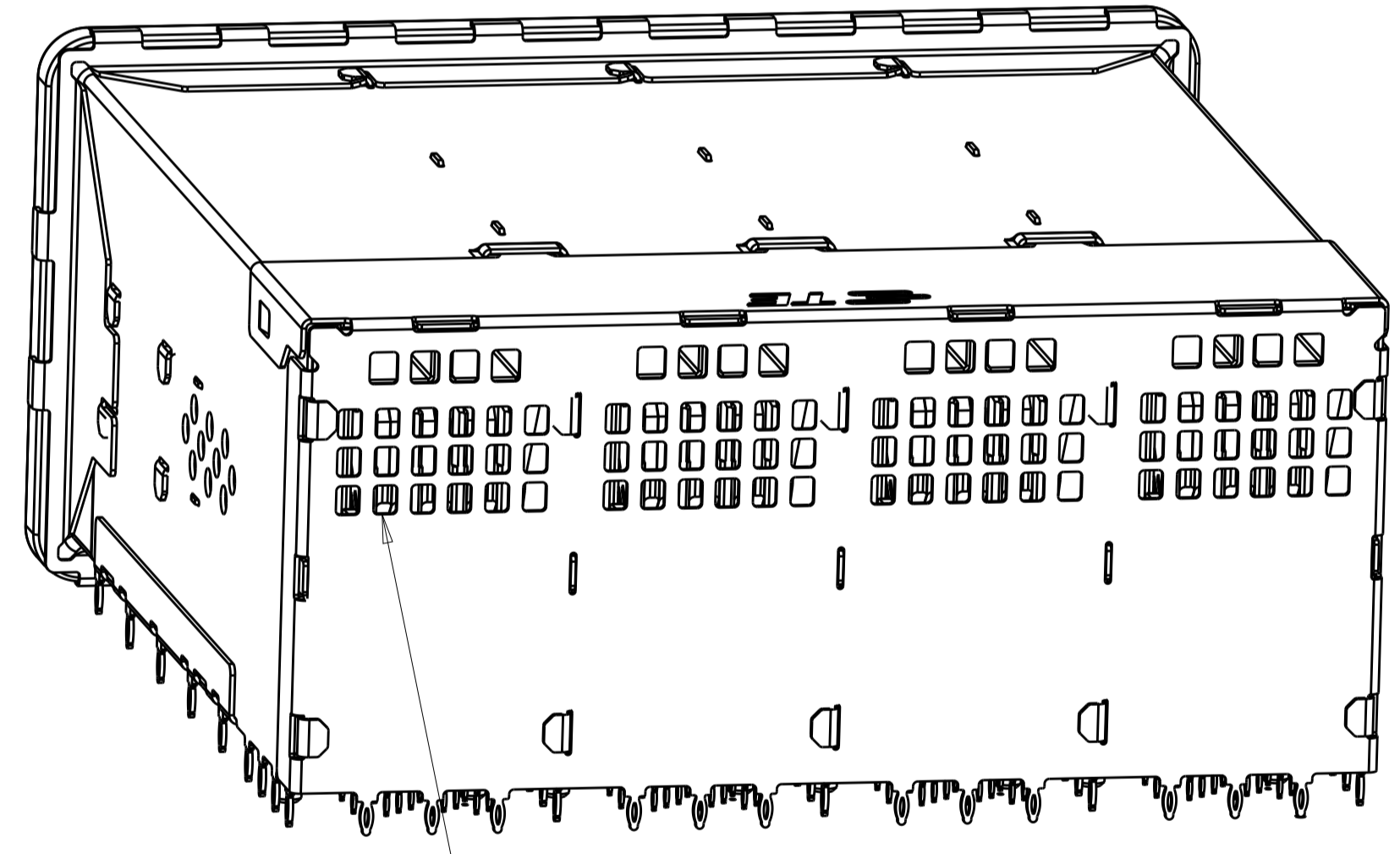
AIR VENTS



AIR VENTS

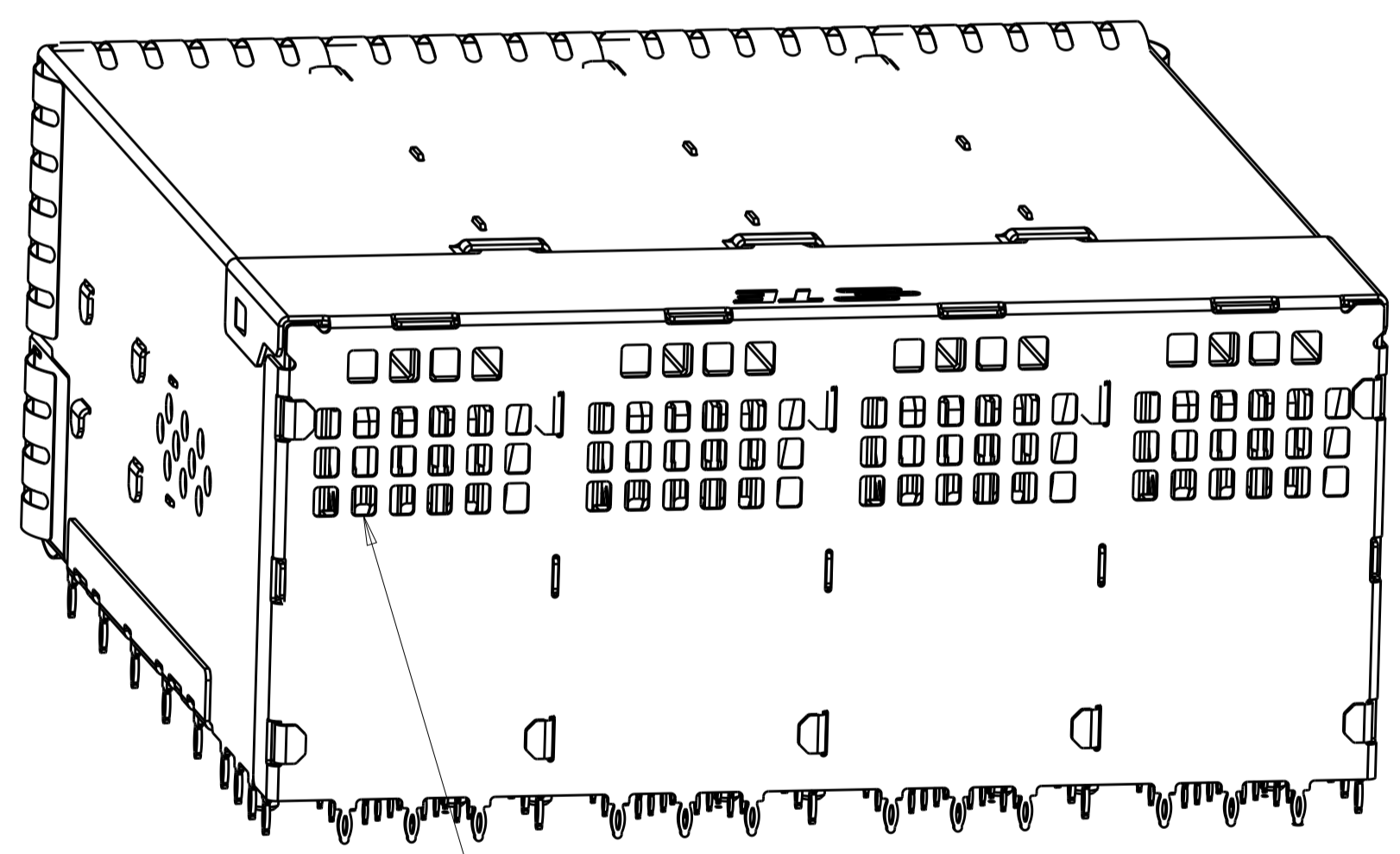


INSULATOR TAPE



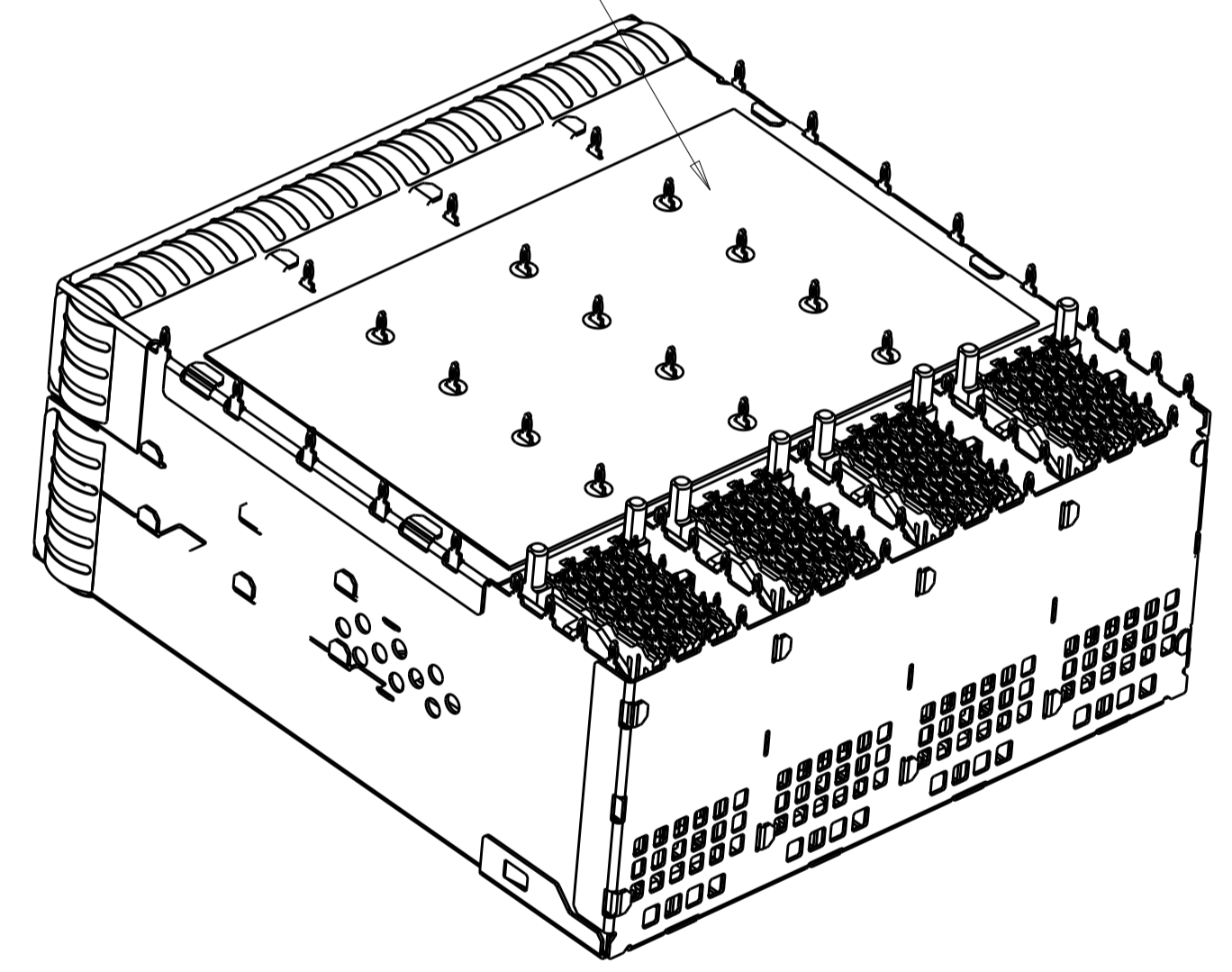
AIR VENTS

3-2339978-0  
EMI GASKET TYPE



AIR VENTS

3-2339978-1  
EMI SPRING TYPE



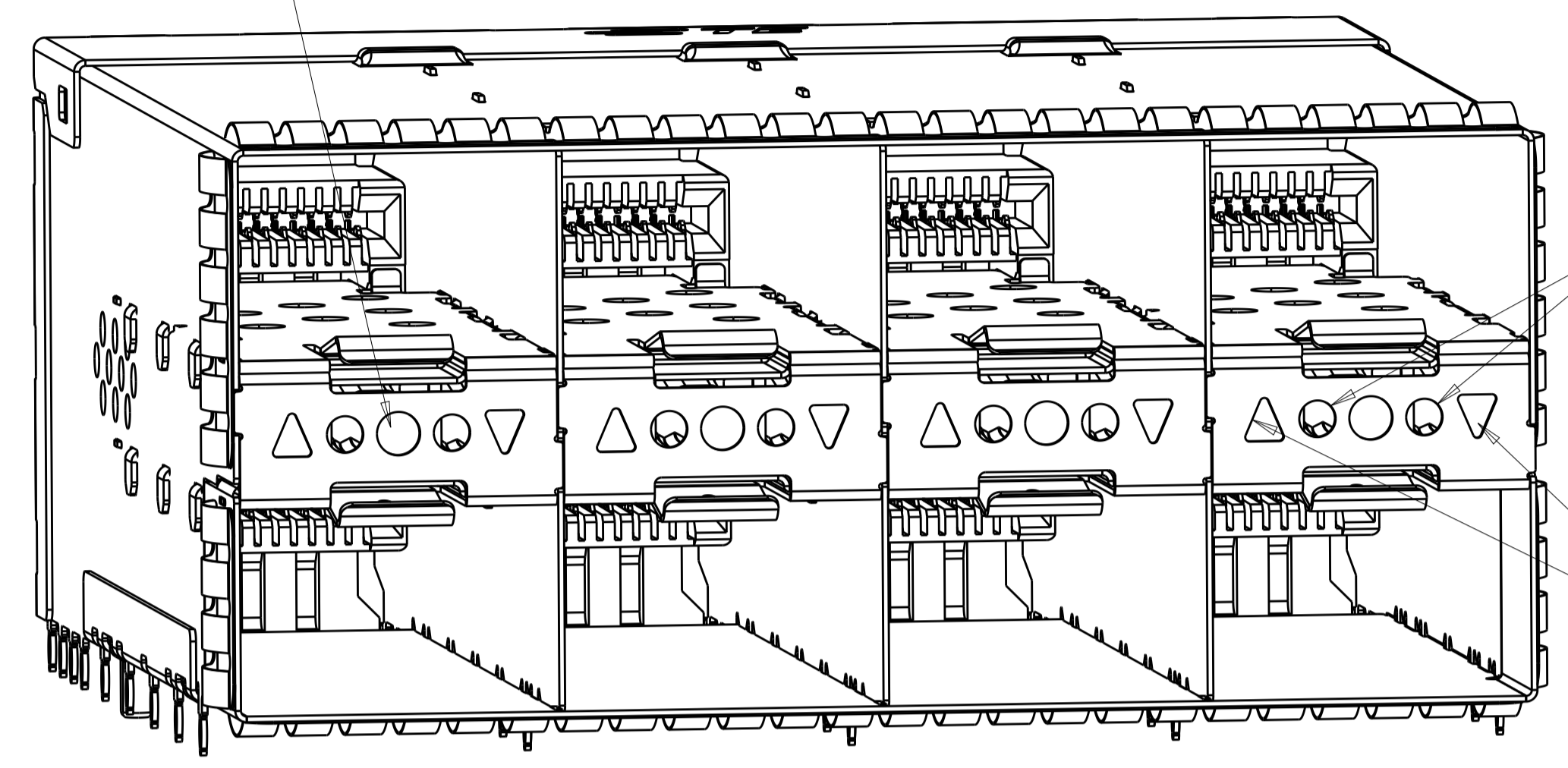
3-2339978-4  
SCALE 3:1

|  |  |                        |  |
|--|--|------------------------|--|
| THIS DRAWING IS A CONTROLLED DOCUMENT. |  | OWN: J. WANG 17JUL2018 | TE Connectivity                                |
| DIMENSIONS: mm                         |  | CHK: S. HAN 17JUL2018  |  |
|  |  | APVD: S. HAN 17JUL2018 | NAME: RECEPTACLE ASSEMBLY, 2X4, STACKED, SFP56 |
| TOLERANCES UNLESS OTHERWISE SPECIFIED: |  | PRODUCT SPEC           | RESTRICTED TO                                  |
| 0 PLC ±0.25                            |  | 108-2481               | SIZE: A1                                       |
| 1 PLC ±0.25                            |  | APPLICATION SPEC       | CAGE CODE: 2339978                             |
| 2 PLC ±0.25                            |  | 114-13319              | SCALE: 4:1                                     |
| 3 PLC ±0.25                            |  | WEIGHT: -              | SHEET: 2 OF 7                                  |
| 4 PLC ±                                |  | FINISH: SEE NOTES      | REV: B   |
| ANGLES: ±4°                            |  | MATERIAL: SEE NOTES    | CUSTOMER DRAWING                               |

| LOC | DIST | REVISIONS |     |             |      |     |      |
|-----|------|-----------|-----|-------------|------|-----|------|
| GP  | 00   | P         | LYR | DESCRIPTION | DATE | OWN | APVD |
| -   | -    | -         | -   | SEE SHEET 1 | -    | -   | -    |

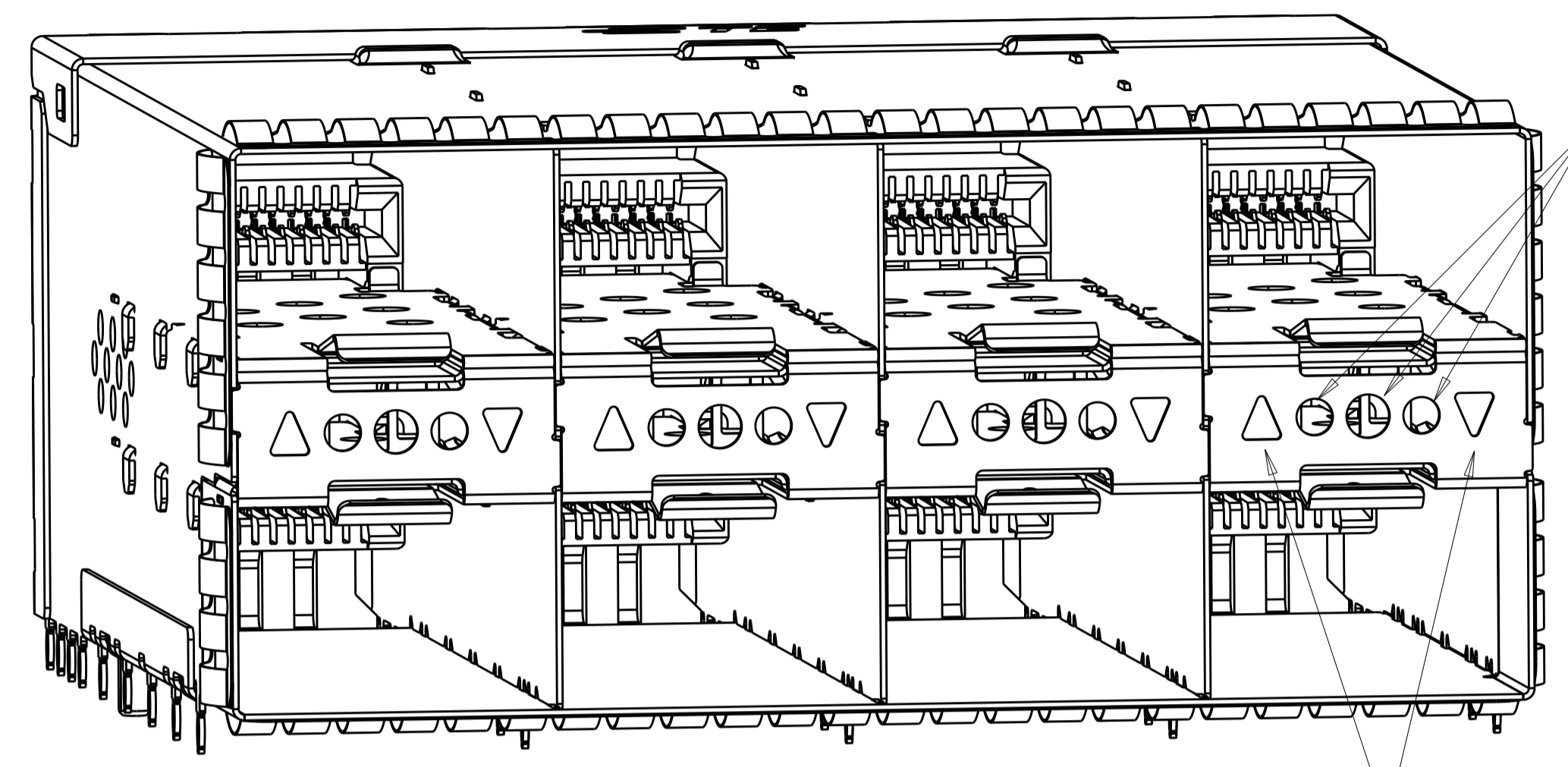
# AIRFLOW ENHANCE W/ LP TYPE

INNER LIGHT PIPE



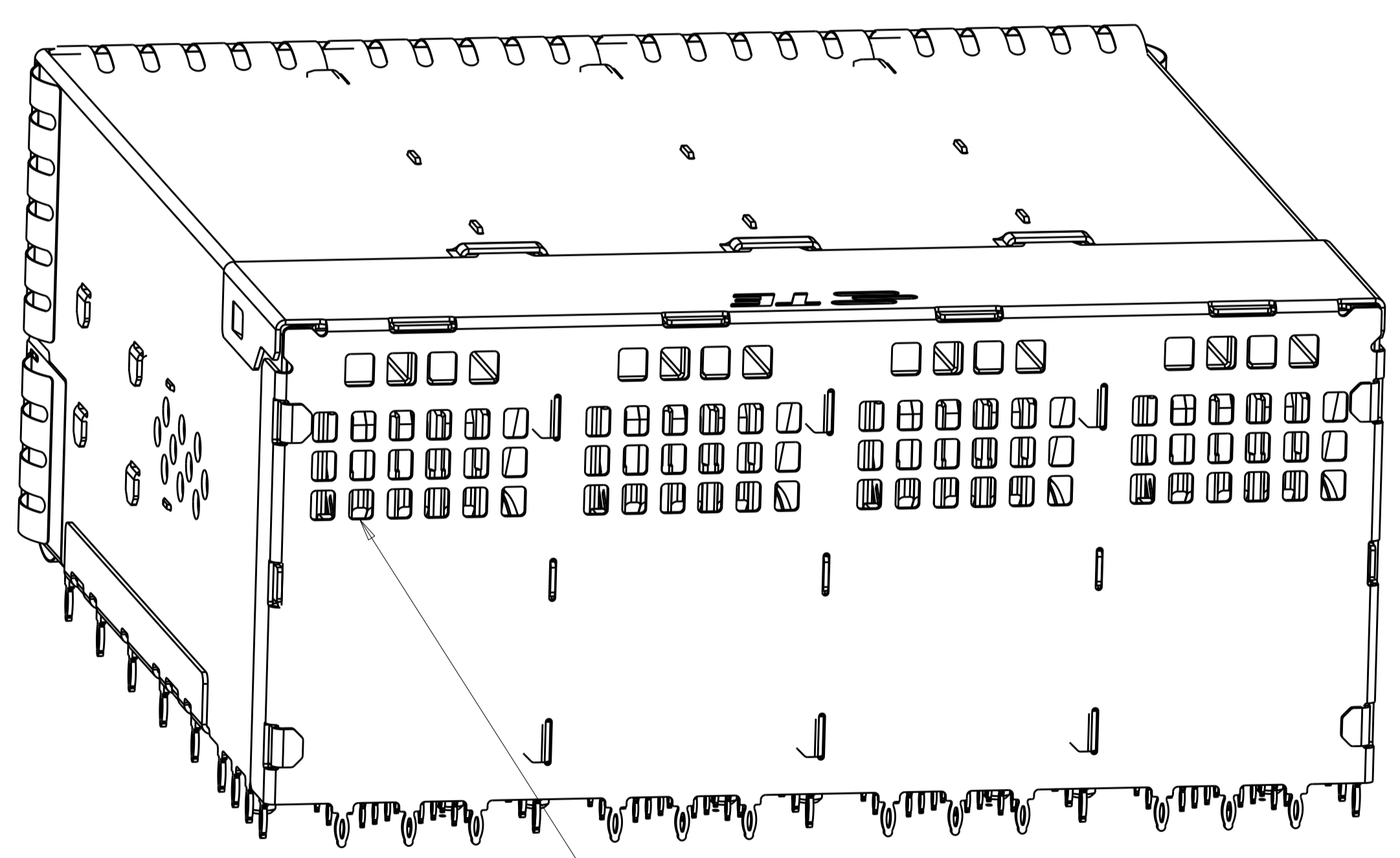
AIR VENTS

OUTER LIGHT PIPE



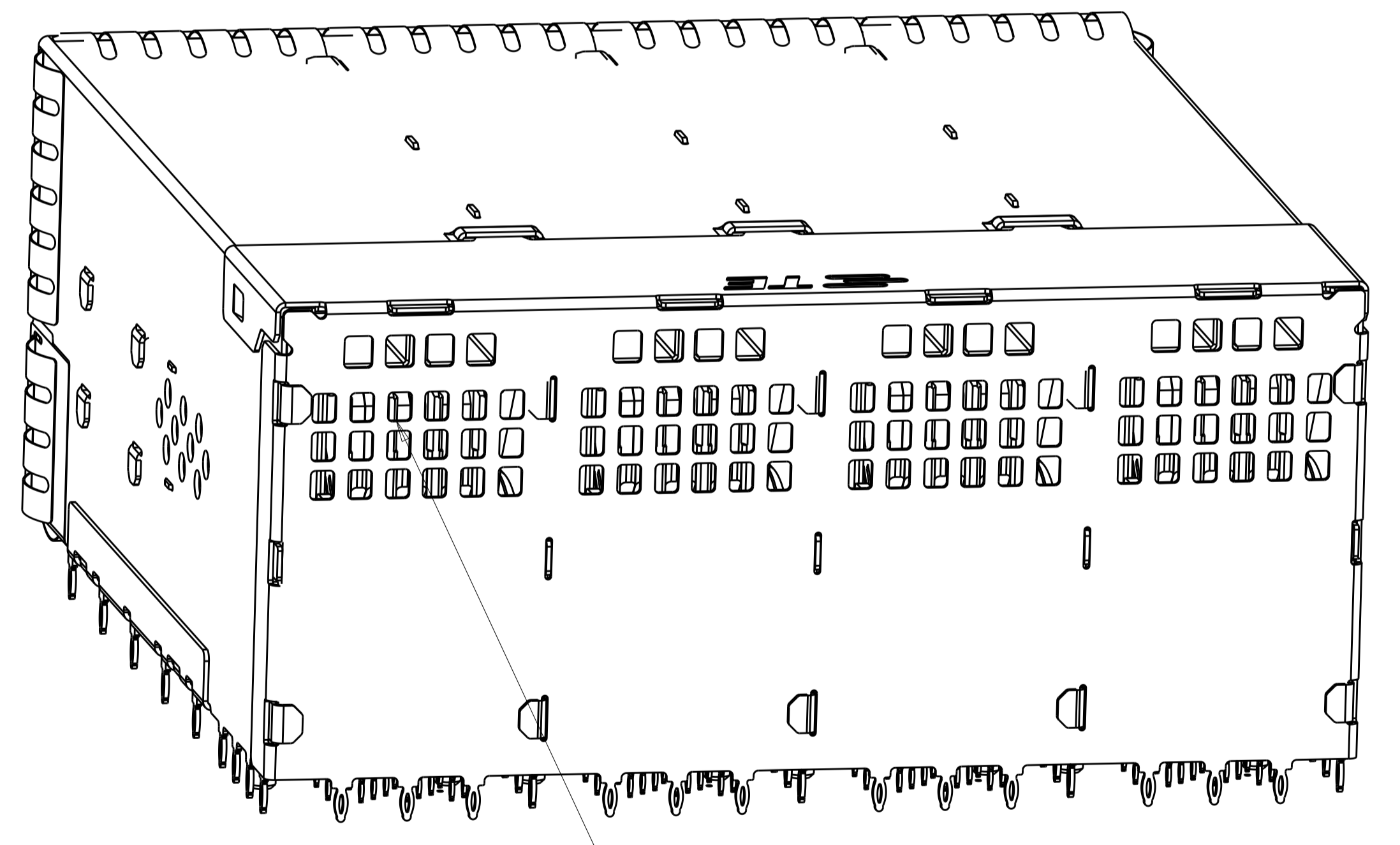
AIR VENTS

OUTER LIGHT PIPE



AIR VENTS

3-2339978-2  
EMI SPRING W/ LP TYPE

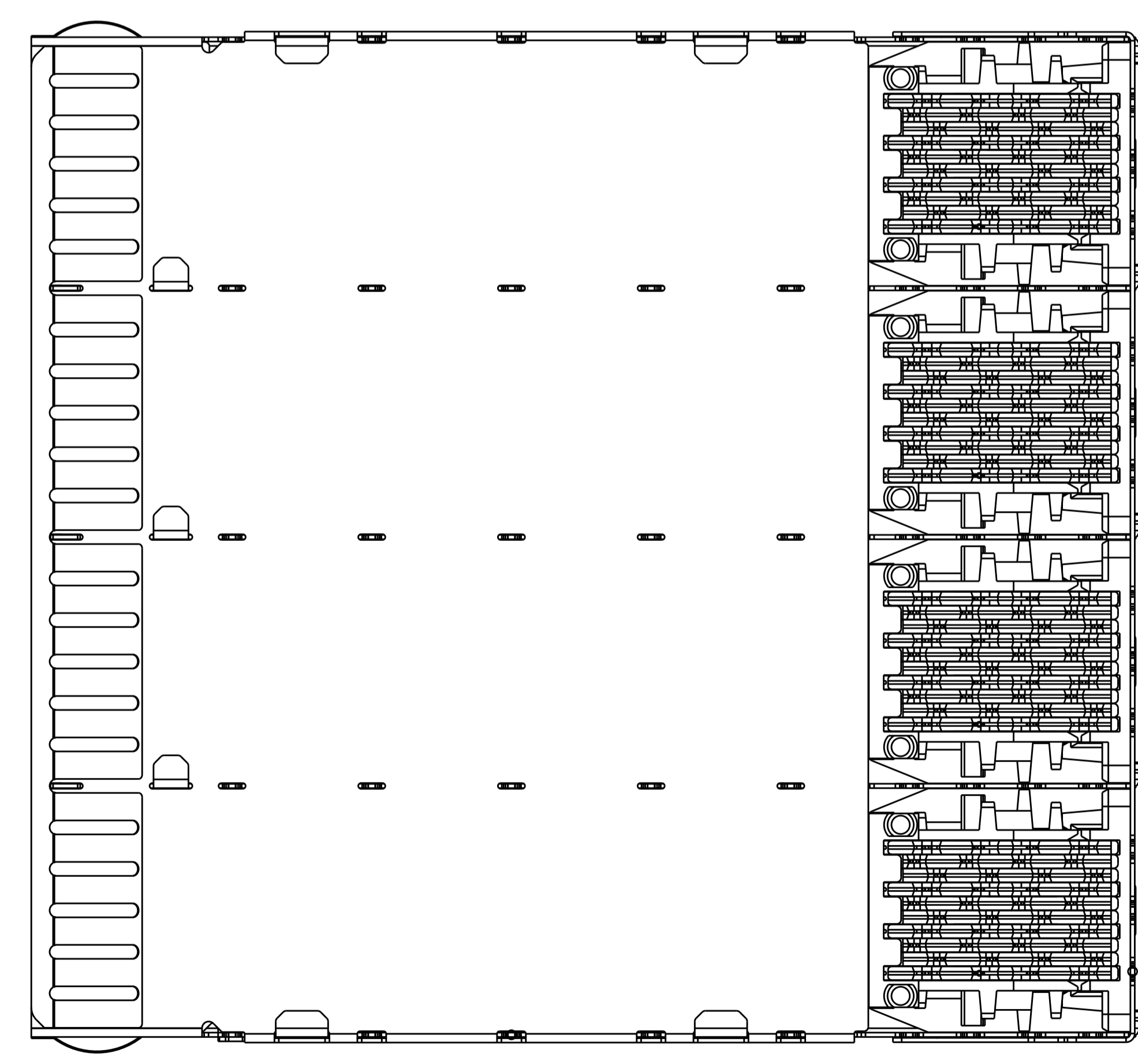
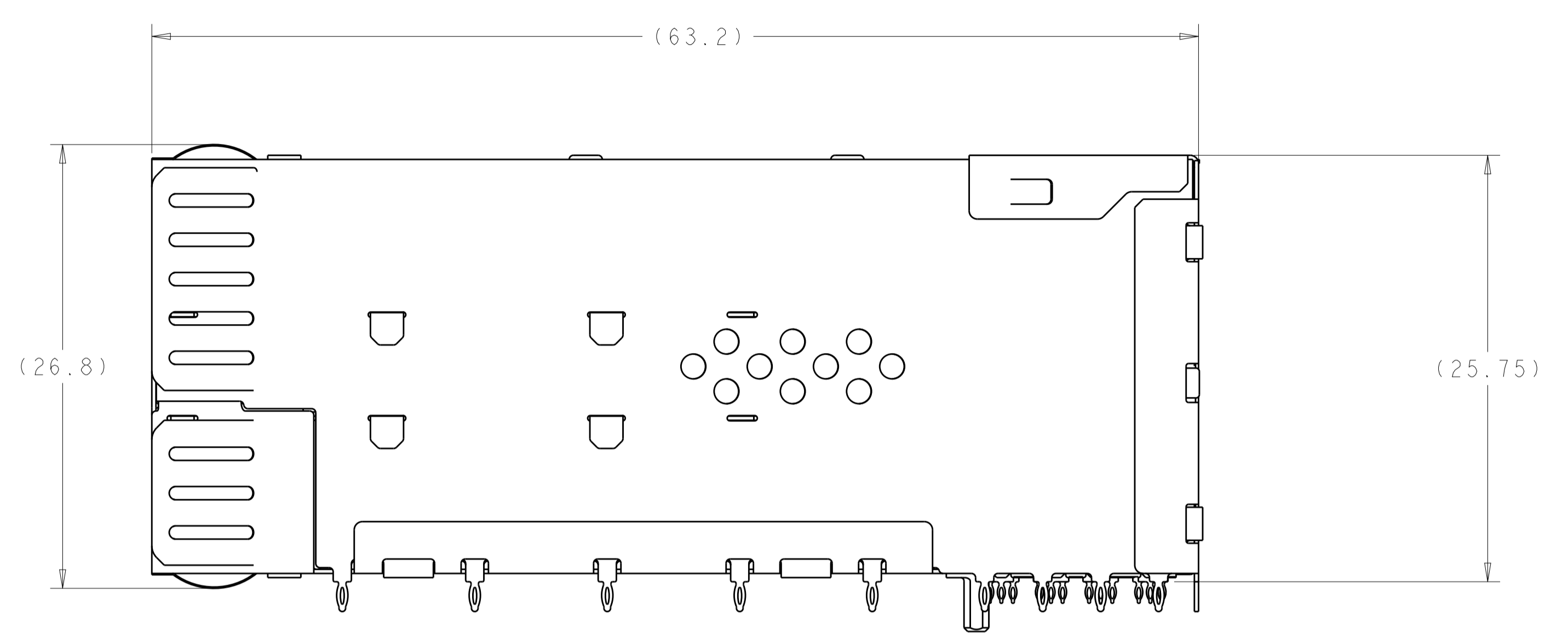
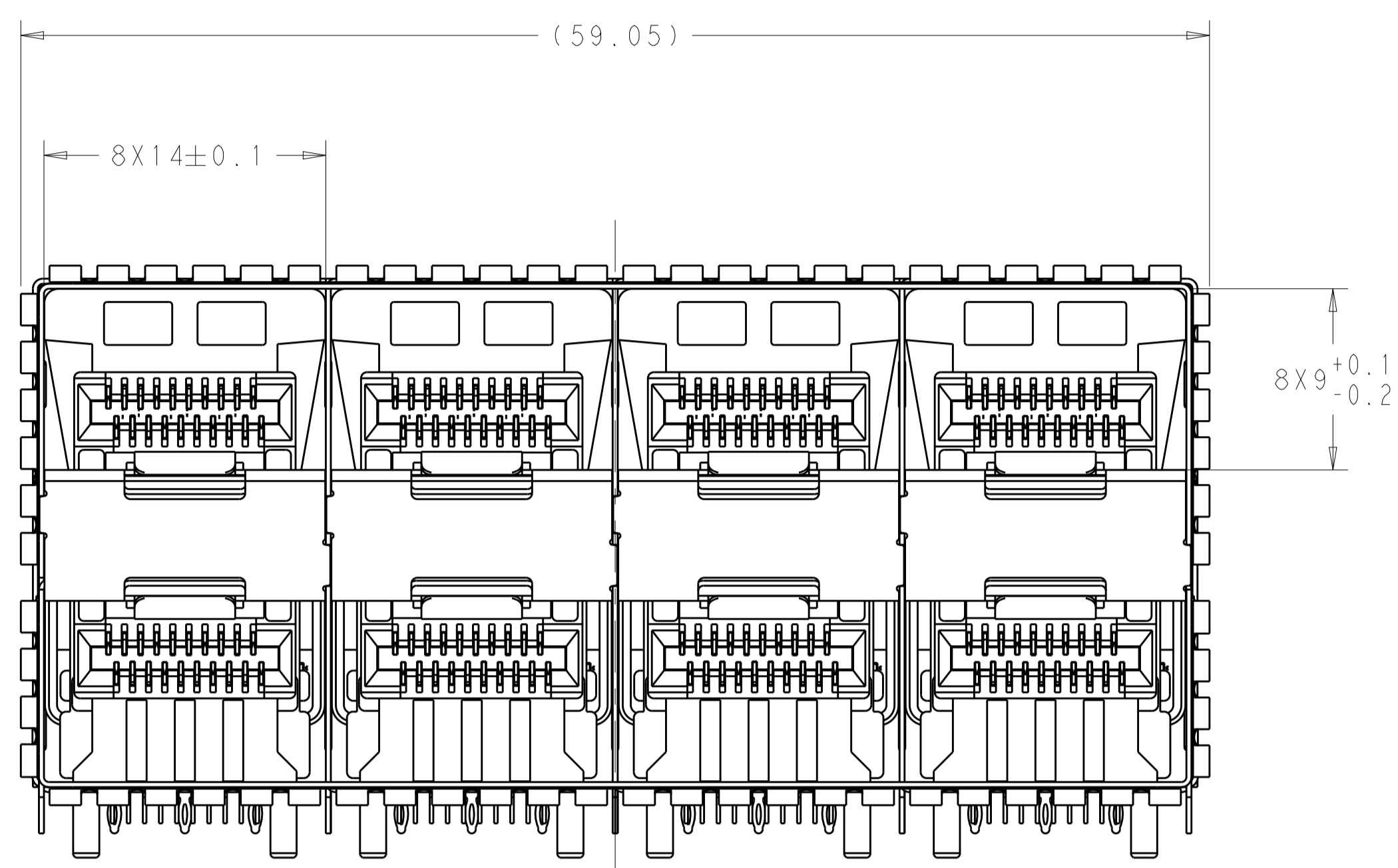


AIR VENTS

3-2339978-3  
EMI SPRING W/ OUTER LP TYPE

|  |  |                  |           |                  |               |   |            |               |
|--|--|------------------|-----------|------------------|---------------|---|------------|---------------|
| THIS DRAWING IS A CONTROLLED DOCUMENT.   |  | OWN              | J. WANG   | 17JUL2018        |               | NAME<br>RECEPTACLE ASSEMBLY, 2X4,<br>STACKED, SFP56 |            |               |
| DIMENSIONS:  |  | CHK              | S. HAN    | 17JUL2018        |               |   |            |               |
| mm   |  | APVD             | S. HAN    | 17JUL2018        |               |   |            |               |
| 0 PLC ±0.25<br>1 PLC ±0.25<br>2 PLC ±0.25<br>3 PLC ±0.25<br>4 PLC ±0.25<br>ANGLES ±° |  | PRODUCT SPEC     | 108-2481  | APPLICATION SPEC |               |   |            |               |
| MATERIAL<br>SEE NOTES  |  | FINISH           | SEE NOTES | 114-13319        | RESTRICTED TO |   |            |               |
|  |  | WEIGHT           |           |                  | SIZE          | CAGE CODE   | DRAWING NO | RESTRICTED TO |
|  |  |                  |           |                  | A1            | 00779   | C=2339978  |               |
|  |  | CUSTOMER DRAWING |           | SCALE            | 4:1           | SHEET   | 3          | OF 7          |
|  |  |                  |           | REV              | B             |   |            |               |

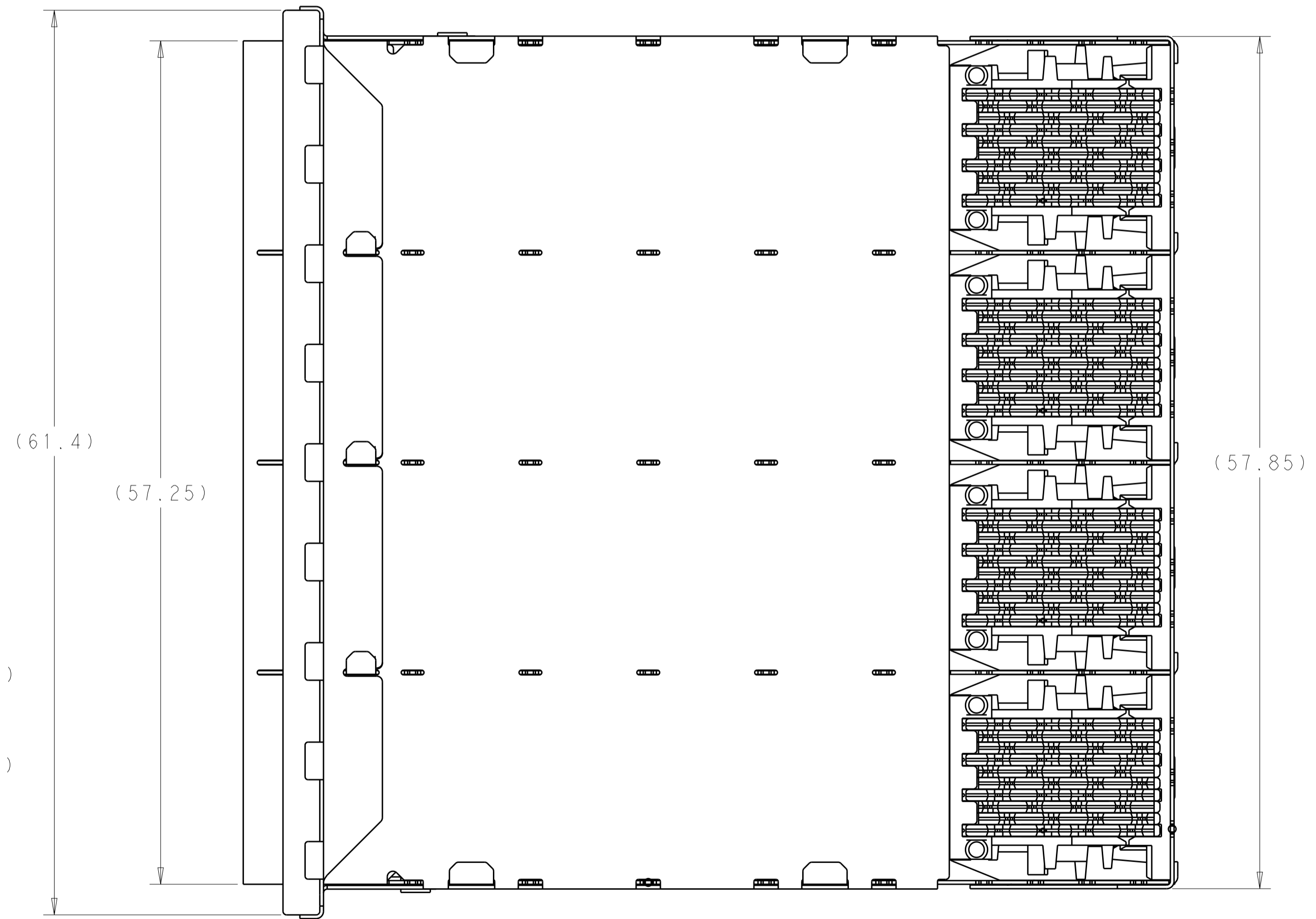
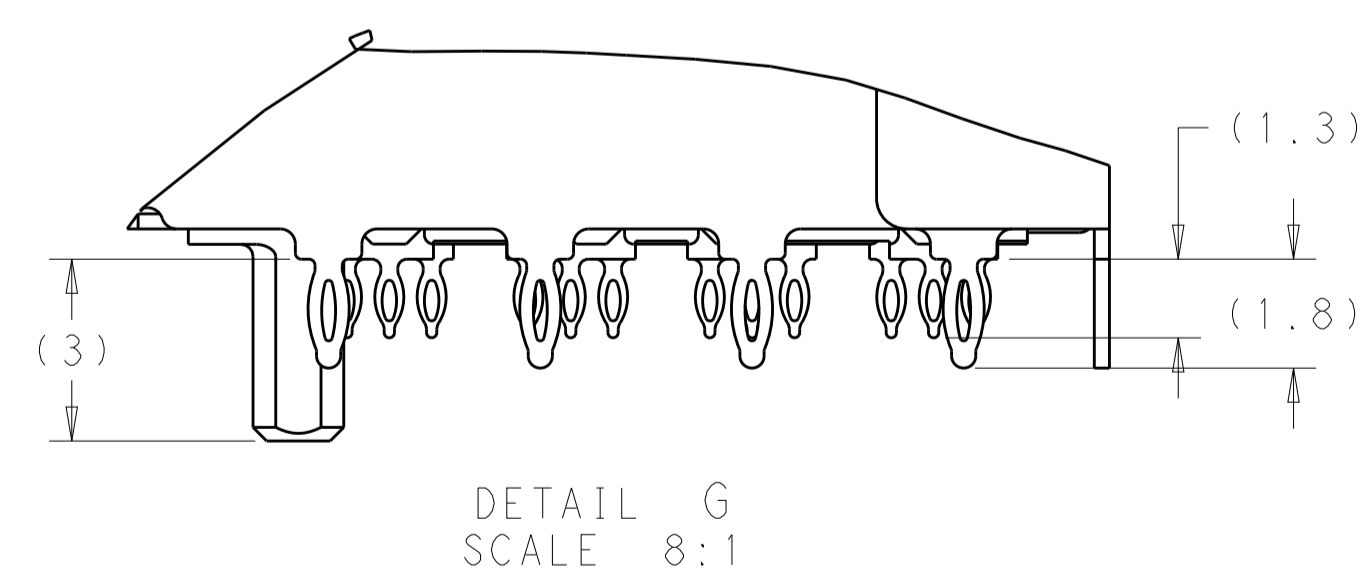
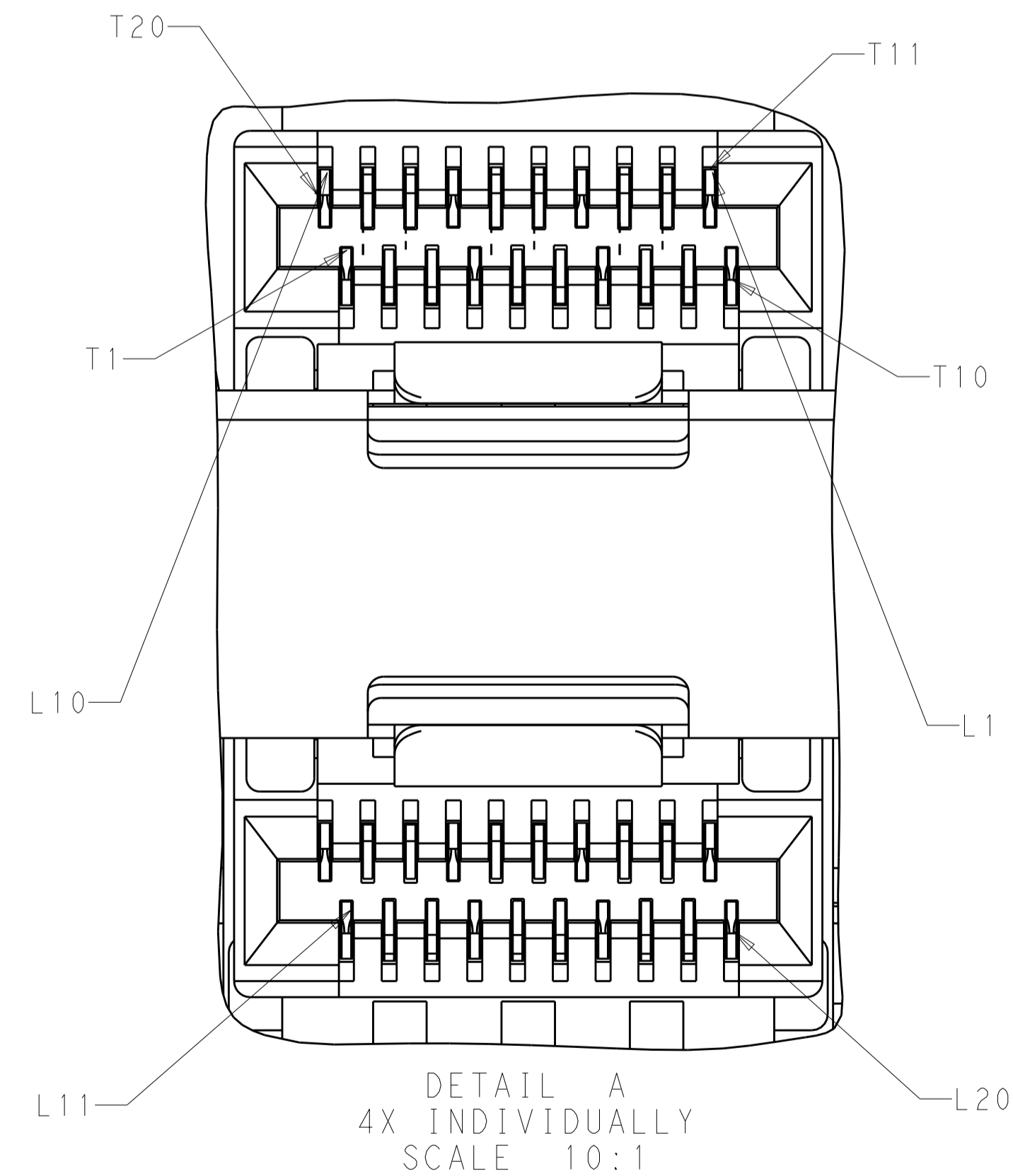
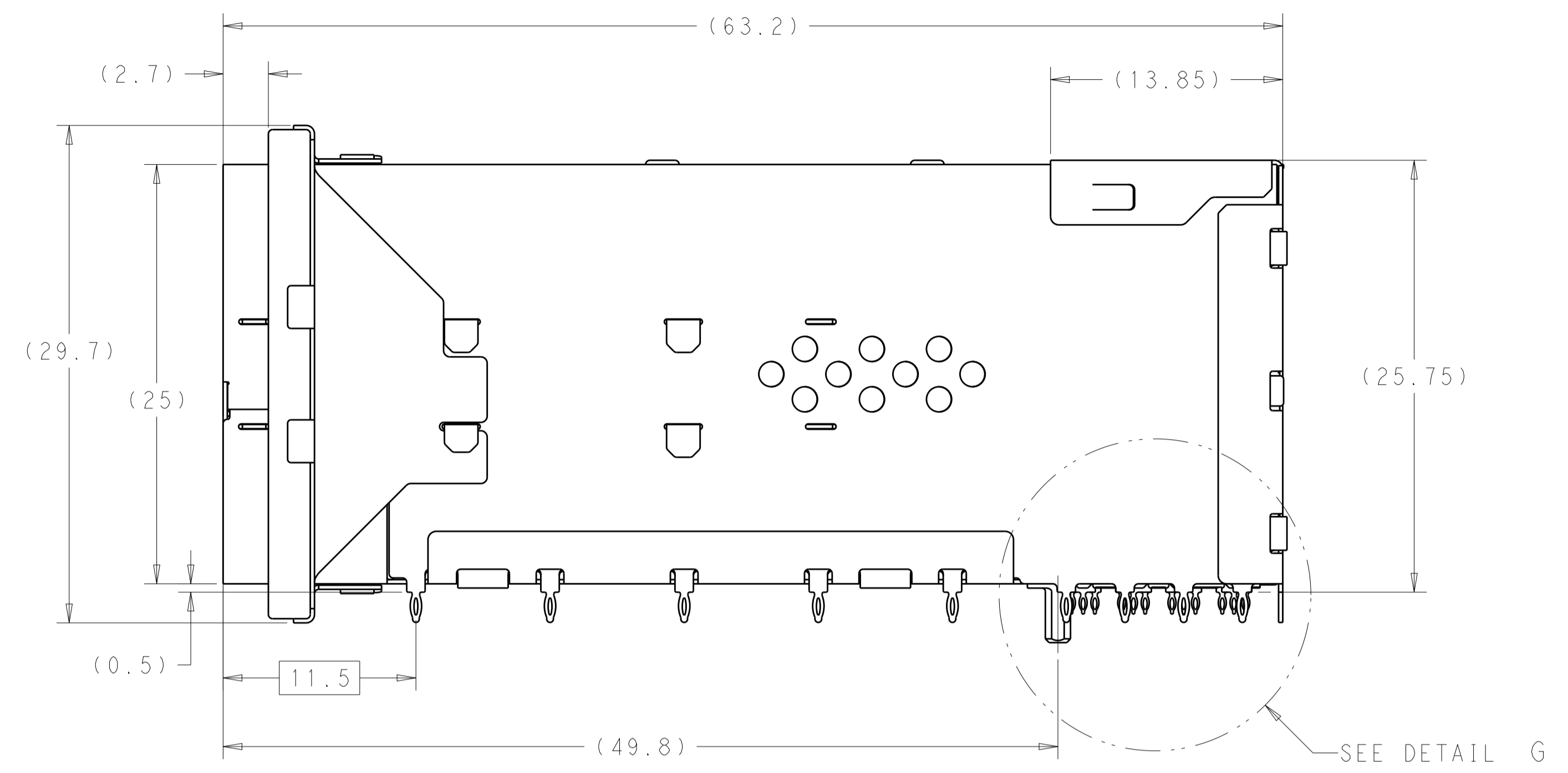
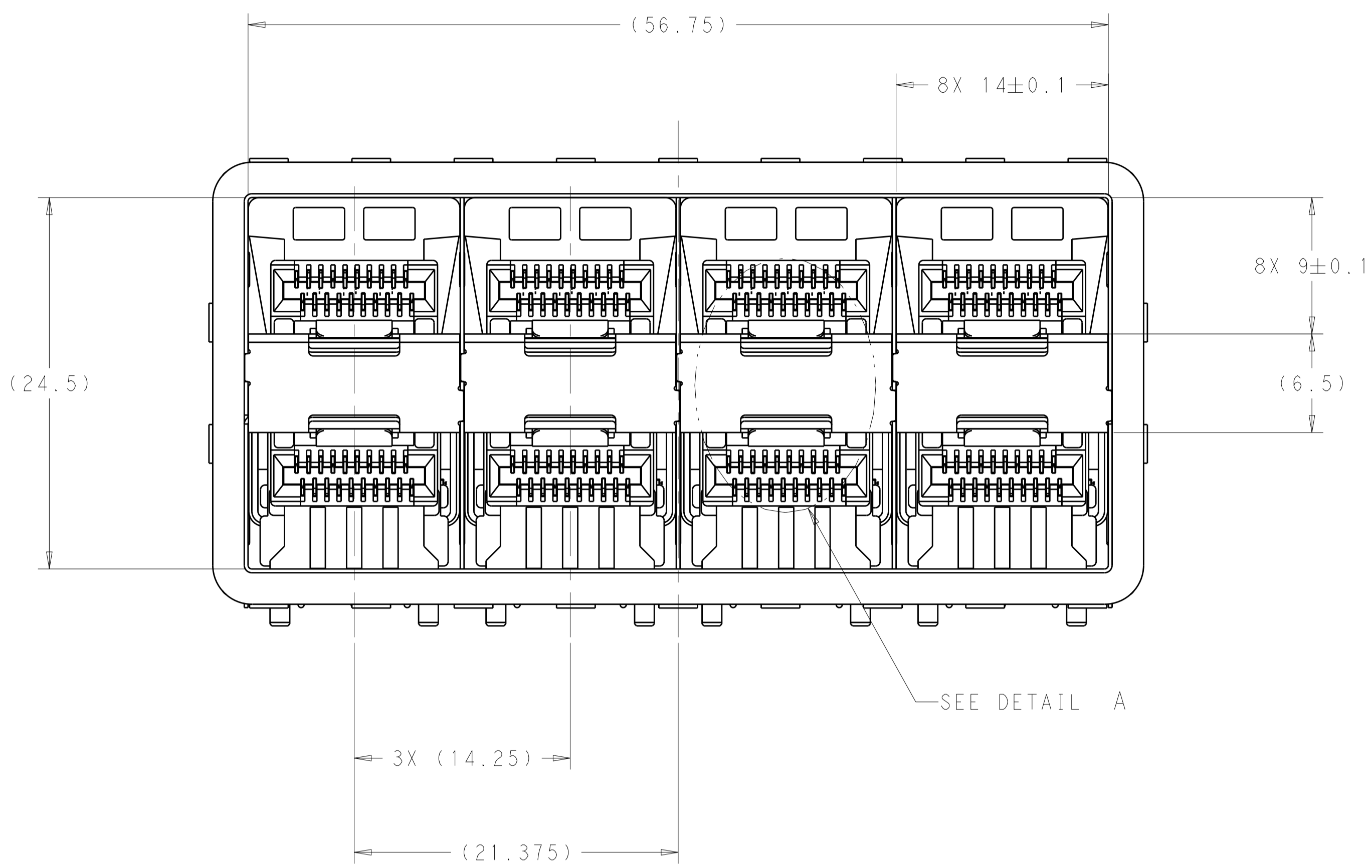
| LOC |    | DIST |      | REVISIONS   |      |    |      |
|-----|----|------|------|-------------|------|----|------|
| GP  | 00 | REV  | DATE | DESCRIPTION | DATE | BY | APPV |
| -   | -  | -    | -    | SEE SHEET 1 | -    | -  | -    |



EMI SPRINGS VERSIONS ONLY  
 SCALE 4:1

|  |  |                             |  |
|--|--|-----------------------------|--|
| THIS DRAWING IS A CONTROLLED DOCUMENT.   |  | OWN: J. WANG 17JUL2018      | TE Connectivity                                |
| DIMENSIONS: mm   |  | CHK: S. HAN 17JUL2018       |  |
| TOLERANCES UNLESS OTHERWISE SPECIFIED:   |  | APVD: S. HAN 17JUL2018      | NAME: RECEPTACLE ASSEMBLY, 2X4, STACKED, SFP56 |
| 0 PLC ±0.25<br>1 PLC ±0.25<br>2 PLC ±0.25<br>3 PLC ±0.25<br>4 PLC ±0.25<br>ANGLES ±° |  | PRODUCT SPEC: 108-2481      | SIZE: A1                                       |
| MATERIAL: SEE NOTES  |  | APPLICATION SPEC: 114-13319 | CAGE CODE: C=2339978                           |
| FINISH: SEE NOTES  |  | WEIGHT: -                   | RESTRICTED TO: -                               |
|  |  | CUSTOMER DRAWING            | SCALE: 4:1 SHEET 4 OF 7 REV B                  |

| LOC |     | DIST |     | REVISIONS |             |      |     |
|-----|-----|------|-----|-----------|-------------|------|-----|
| P   | LTN | DATE | DMN | APVD      | DESCRIPTION | DATE | DMN |
| -   | -   | -    | -   | -         | SEE SHEET 1 | -    | -   |

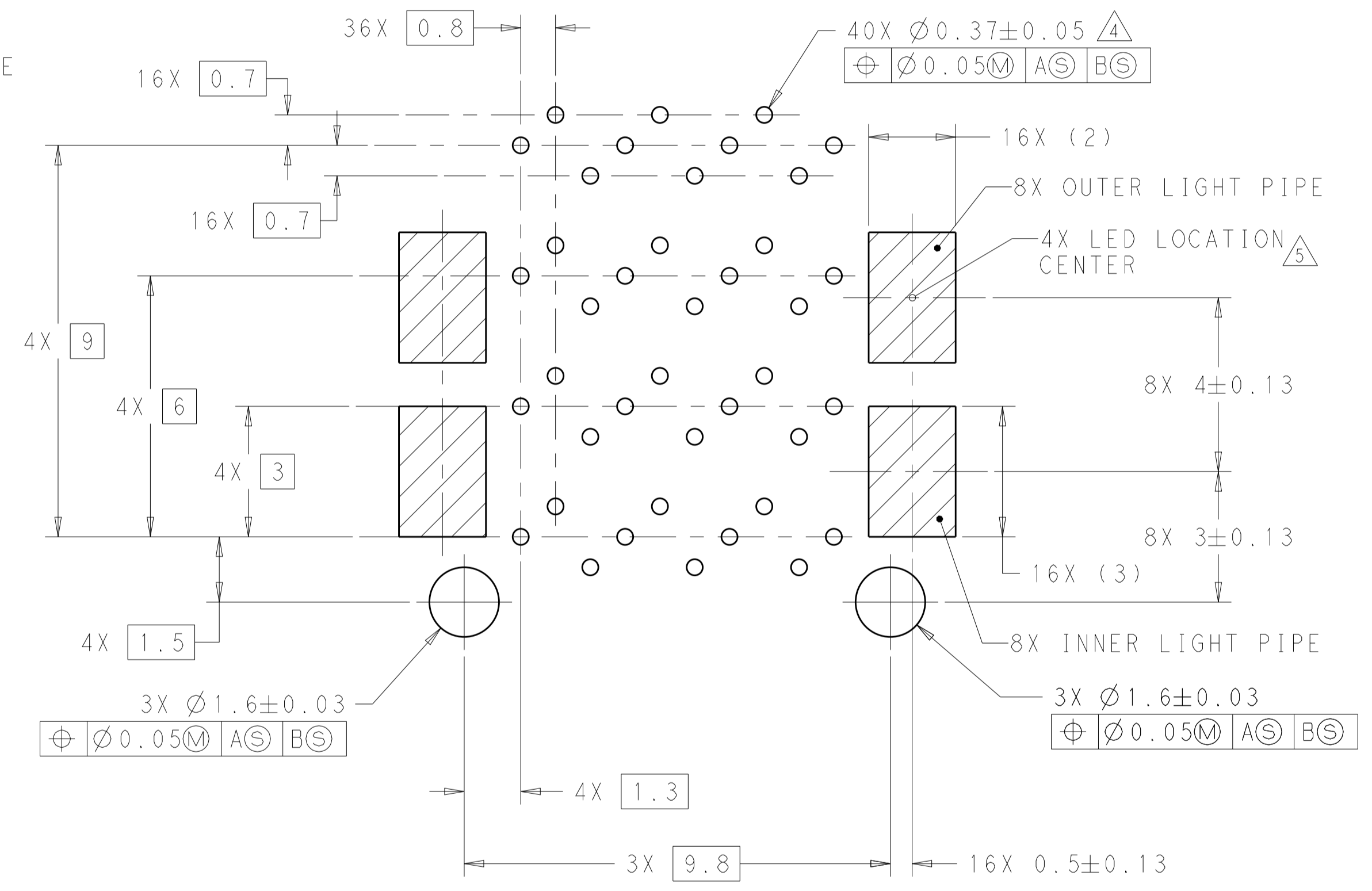
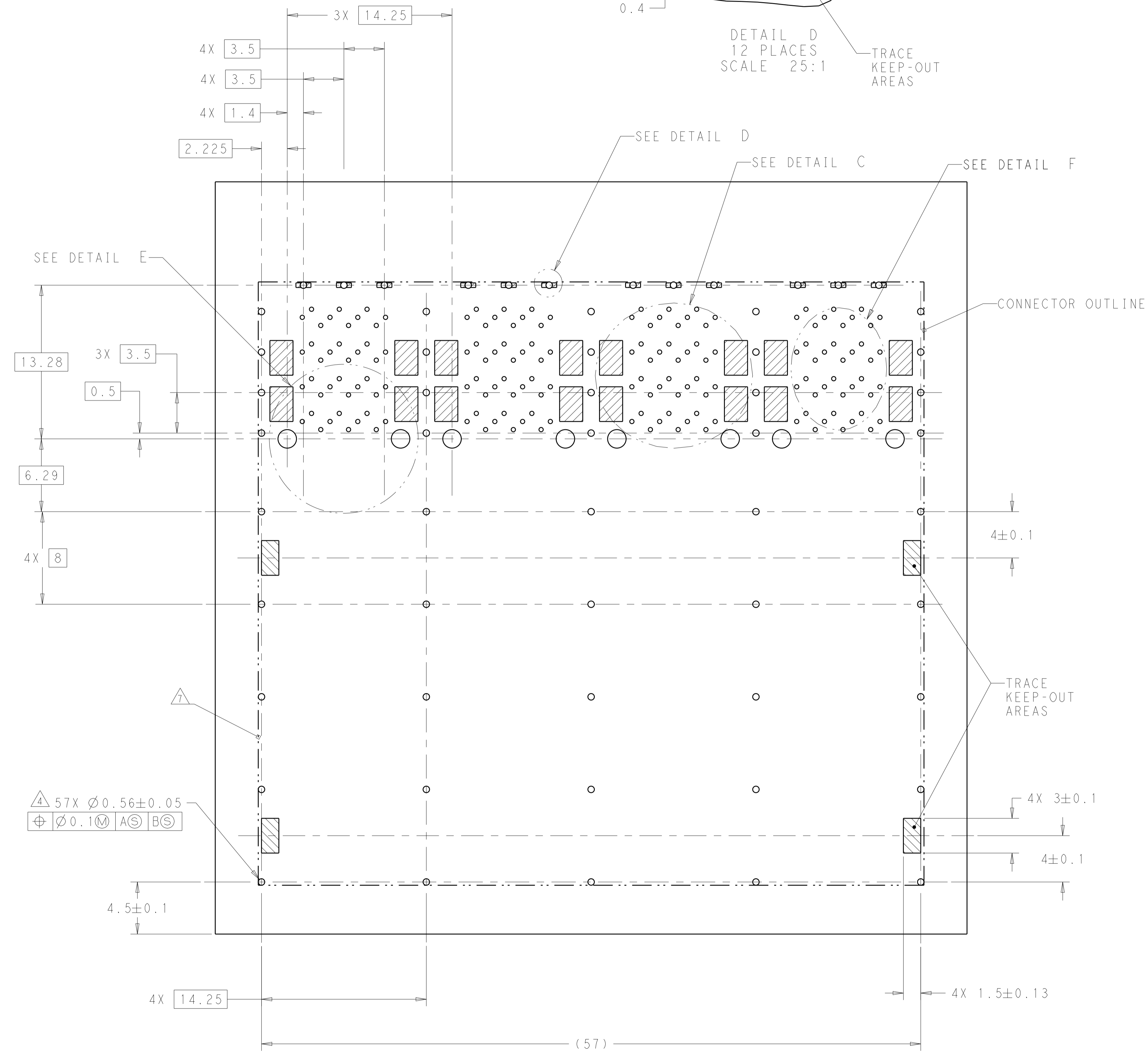
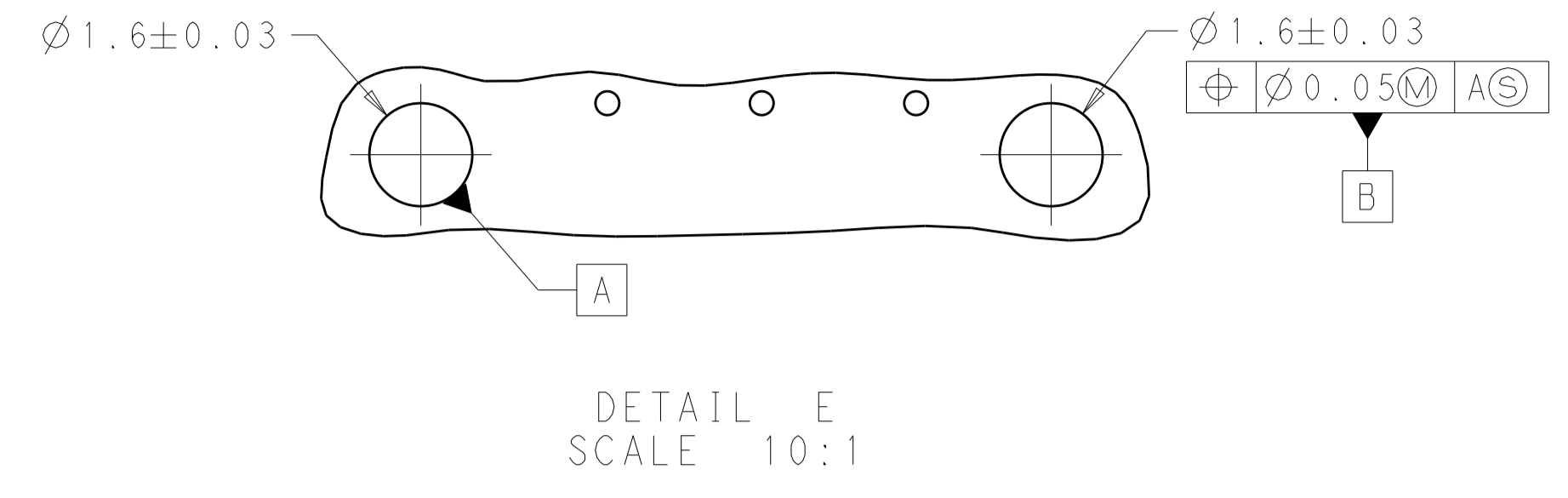
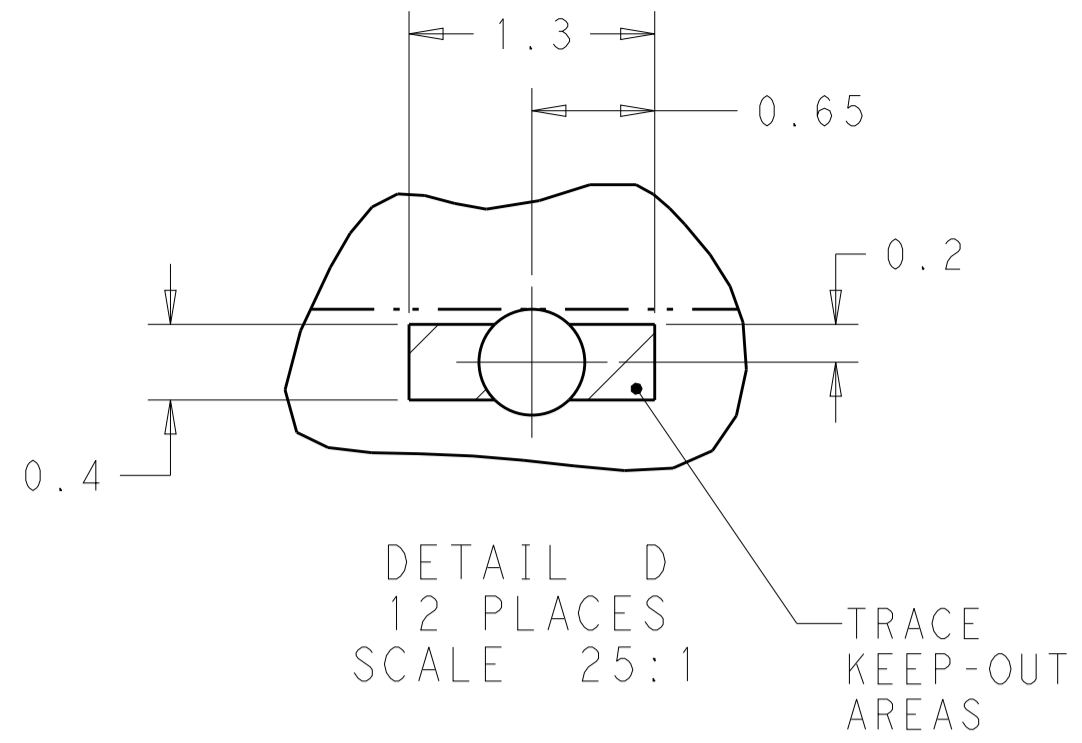


|  |  |                             |   |
|--|--|-----------------------------|---|
| THIS DRAWING IS A CONTROLLED DOCUMENT.   |  | DMN: J. WANG 17JUL2018      | TE Connectivity<br>NAME: RECEPTACLE ASSEMBLY, 2X4, STACKED, SFP56 |
| DIMENSIONS: mm   |  | CHK: S. HAN 17JUL2018       |   |
| TOLERANCES UNLESS OTHERWISE SPECIFIED:   |  | APVD: S. HAN 17JUL2018      | PRODUCT SPEC: 108-2481  |
| 0 PLC ±0.25<br>1 PLC ±0.25<br>2 PLC ±0.25<br>3 PLC ±0.25<br>4 PLC ±0.25<br>ANGLES ±° |  | APPLICATION SPEC: 114-13319 | SIZE: A1  |
| MATERIAL: SEE NOTES  |  | FINISH: SEE NOTES           | RESTRICTED TO: -  |
| CUSTOMER DRAWING   |  | SCALE: 4:1                  | SHEET 5 OF 7 REV B  |

| LOC | DIST | REV | DATE | BY | APPV |
|-----|------|-----|------|----|------|
| GP  | 00   |     |      |    |      |

| REVISIONS |             |      |    |
|-----------|-------------|------|----|
| NO.       | DESCRIPTION | DATE | BY |
| 1         | SEE SHEET 1 |      |    |



|  |                   |                            |  |
|--|-------------------|----------------------------|--|
| THIS DRAWING IS A CONTROLLED DOCUMENT. |                   | OWN: J. WANG 17JUL2018     | TE Connectivity                                |
| DIMENSIONS: mm                         |                   | CHK: S. HAN 17JUL2018      |  |
| TOLERANCES UNLESS OTHERWISE SPECIFIED: |                   | APPV: S. HAN 17JUL2018     | NAME: RECEPTACLE ASSEMBLY, 2X4, STACKED, SFP56 |
| 0 PLC ±0.25                            | 1 PLC ±0.25       | PRODUCT SPEC 108-2481      | SIZE: A1                                       |
| 2 PLC ±0.25                            | 3 PLC ±0.25       | APPLICATION SPEC 114-13319 | CAGE CODE: 2339978                             |
| 4 PLC ±0.25                            | ANGLES ±4°        | WEIGHT                     | SCALE: 4:1                                     |
| MATERIAL: SEE NOTES                    | FINISH: SEE NOTES | CUSTOMER DRAWING           | SHEET 6 OF 7                                   |

| LOC | DIST | REV | DATE | BY | APPV |
|-----|------|-----|------|----|------|
| GP  | 00   |     |      |    |      |

| REVISIONS |      |    |      |
|-----------|------|----|------|
| REV       | DATE | BY | APPV |
| -         | -    | -  | -    |
| -         | -    | -  | -    |

T19○ T16○ T13○  
 T20○ T17○ T14○ T11○  
 T18○ T15○ T12○

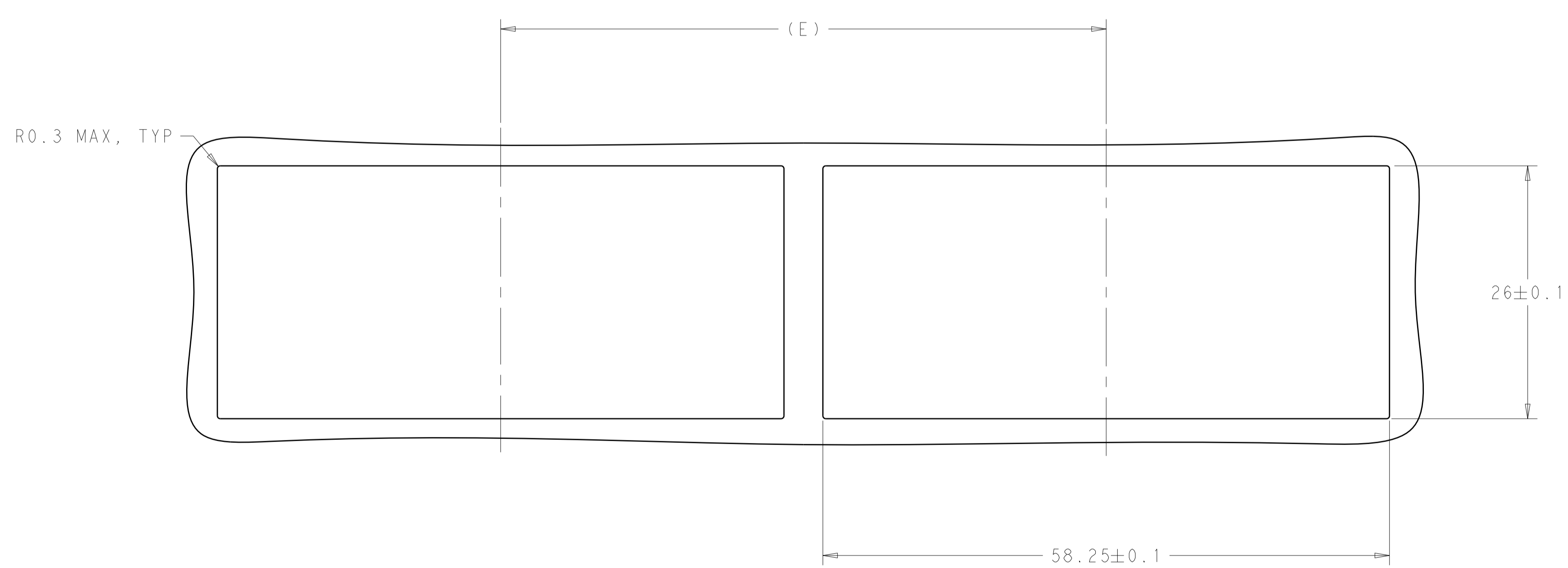
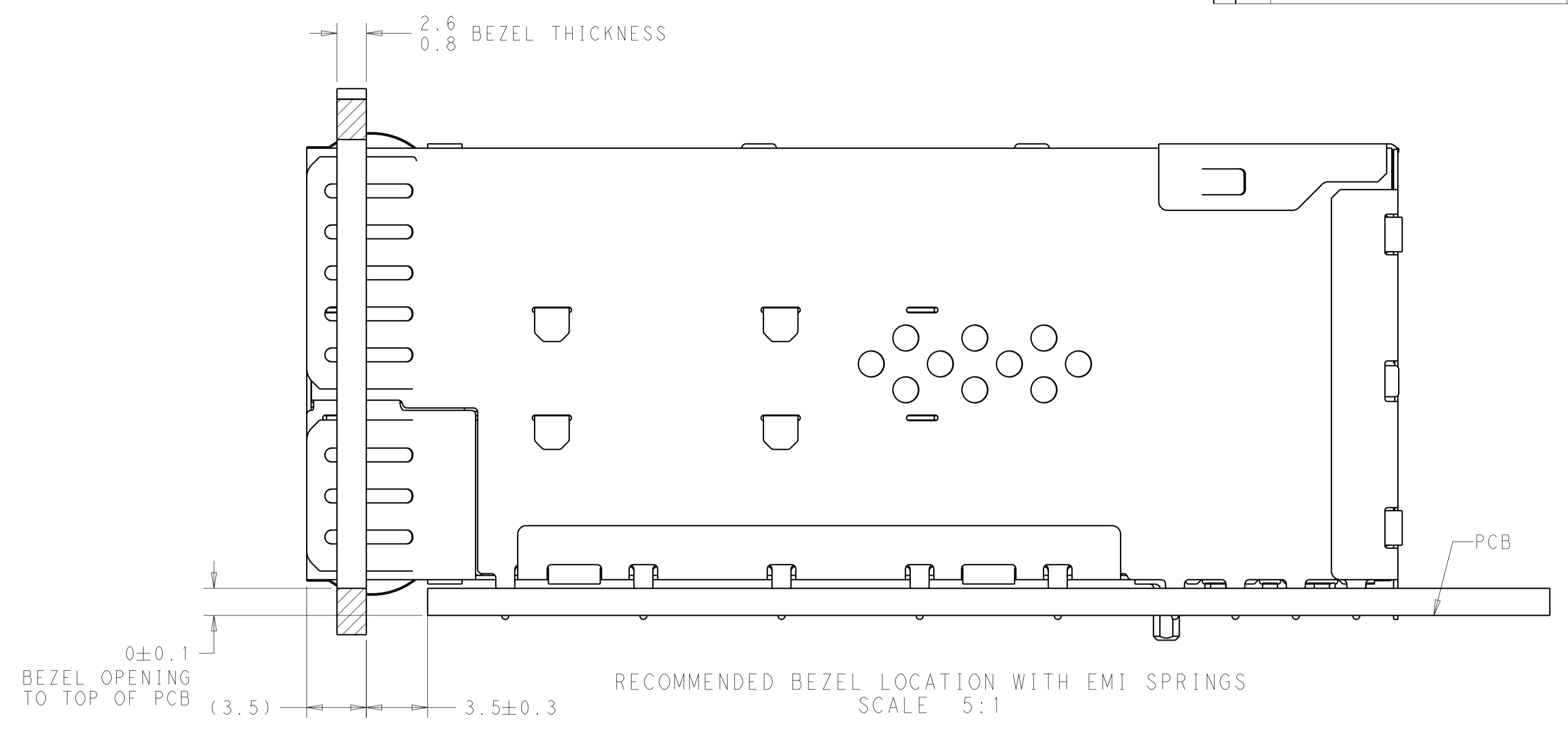
T2○ T5○ T8○  
 T1○ T4○ T7○ T10○  
 T3○ T6○ T9○

L9○ L6○ L3○  
 L10○ L7○ L4○ L1○  
 L8○ L5○ L2○

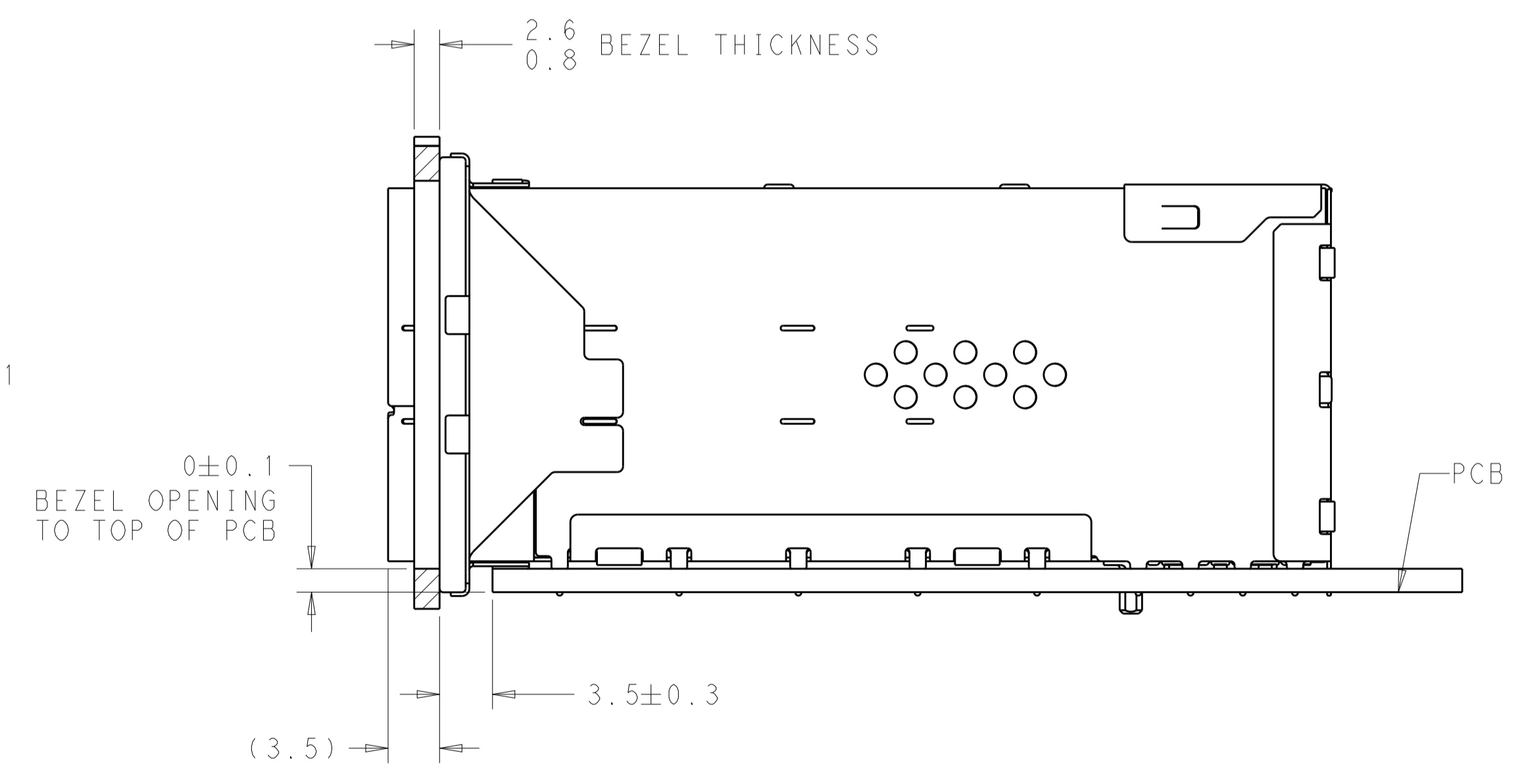
L12○ L15○ L18○  
 L11○ L14○ L17○ L20○  
 L13○ L16○ L19○

| PIN MAP LEGEND |            |
|----------------|------------|
| PIN NUMBER     | FUNCTION   |
| L1/T1          | VEET       |
| L2/T2          | TX-FAULT   |
| L3/T3          | TX-DISABLE |
| L4/T4          | SDA        |
| L5/T5          | SCL        |
| L6/T6          | MOD_ABS    |
| L7/T7          | RSO        |
| L8/T8          | RX_LOS     |
| L9/T9          | RS1        |
| L10/T10        | VEER       |
| L11/T11        | VEER       |
| L12/T12        | RD-        |
| L13/T13        | RD+        |
| L14/T14        | VEER       |
| L15/T15        | VCCR       |
| L16/T16        | VCCT       |
| L17/T17        | VEET       |
| L18/T18        | TD+        |
| L19/T19        | TD-        |
| L20/T20        | VEET       |

DETAIL F  
 PIN MAP  
 4 PLACES  
 SCALE 15:1



RECOMMENDED BEZEL CUT-OUT DETAIL  
 SCALE 3:1



|  |           |                       |  |
|--|-----------|-----------------------|--|
| THIS DRAWING IS A CONTROLLED DOCUMENT. |           | OWN J. WANG 17JUL2018 | TE Connectivity                          |
| DIMENSIONS: mm                         |           | CHK S. HAN 17JUL2018  |  |
| TOLERANCES UNLESS OTHERWISE SPECIFIED: |           | APPV S. HAN 17JUL2018 | NAME                                     |
| 0 PLC                                  | ±0.25     | PRODUCT SPEC          | RECEPTACLE ASSEMBLY, 2X4, STACKED, SFP56 |
| 1 PLC                                  | ±0.25     | APPLICATION SPEC      |  |
| 2 PLC                                  | ±0.25     | SIZE                  | A1                                       |
| 3 PLC                                  | ±0.25     | CAGE CODE             | 00779                                    |
| 4 PLC                                  | ±0.25     | DRAWING NO            | 2339978                                  |
| ANGLES                                 | ±45°      | RESTRICTED TO         |  |
| MATERIAL                               | SEE NOTES | WEIGHT                |  |
| FINISH                                 | SEE NOTES | CUSTOMER DRAWING      |  |
|  |           | SCALE                 | 4:1                                      |
|  |           | SHEET                 | 7 OF 7                                   |
|  |           | REV                   | B  |

## X-ON Electronics

Largest Supplier of Electrical and Electronic Components

*Click to view similar products for [I/O Connectors](#) category:*

*Click to view products by [TE Connectivity](#) manufacturer:*

Other Similar products are found below :

[571763P](#) [72.250.1628.2](#) [72.250.2428.2](#) [74720-0505](#) [76.350.0729.0](#) [76871-1403](#) [FCN-244F080-G/1](#) [FCN-260A9920](#) [MP-5T180MUNNA-005](#)  
[PCR-E36PM](#) [PCS-XE26MA+](#) [G38A71314B](#) [1571250010](#) [157-22500-3](#) [MS3471L14-19P L/C](#) [91-569786-35H](#) [172501-4002](#) [172501-6002](#)  
[FCN-260C008-A/L0](#) [FCN-260C024-AL0](#) [FCN-261Z008](#) [2000314-1](#) [200331-1](#) [PCR-E36FC+](#) [PCS-E28FS+](#) [PCS-XE26SLFD+](#) [PCS-](#)  
[XE26SLFDT+](#) [G730VID08BDC24](#) [U90B2054081210](#) [UE86K842720321](#) [38113800006](#) [DP3AR020WQ1R200](#) [Z4.102.0680.0](#) [500-1040](#)  
[500-1052](#) [500-1054](#) [ZP-4008-66L](#) [0709821002](#) [10-565995-597N](#) [DX40-20P\(55\)](#) [5554841-1](#) [MS3474W18-8P-LC\\*](#) [U90B3054061110](#) [U65-](#)  
[E04-4020](#) [ZPF000000000097891](#) [557-262M2-06C](#) [747360449](#) [10099439-003C-TRLF](#) [10137239-0021LF](#) [E9320-001-01](#)