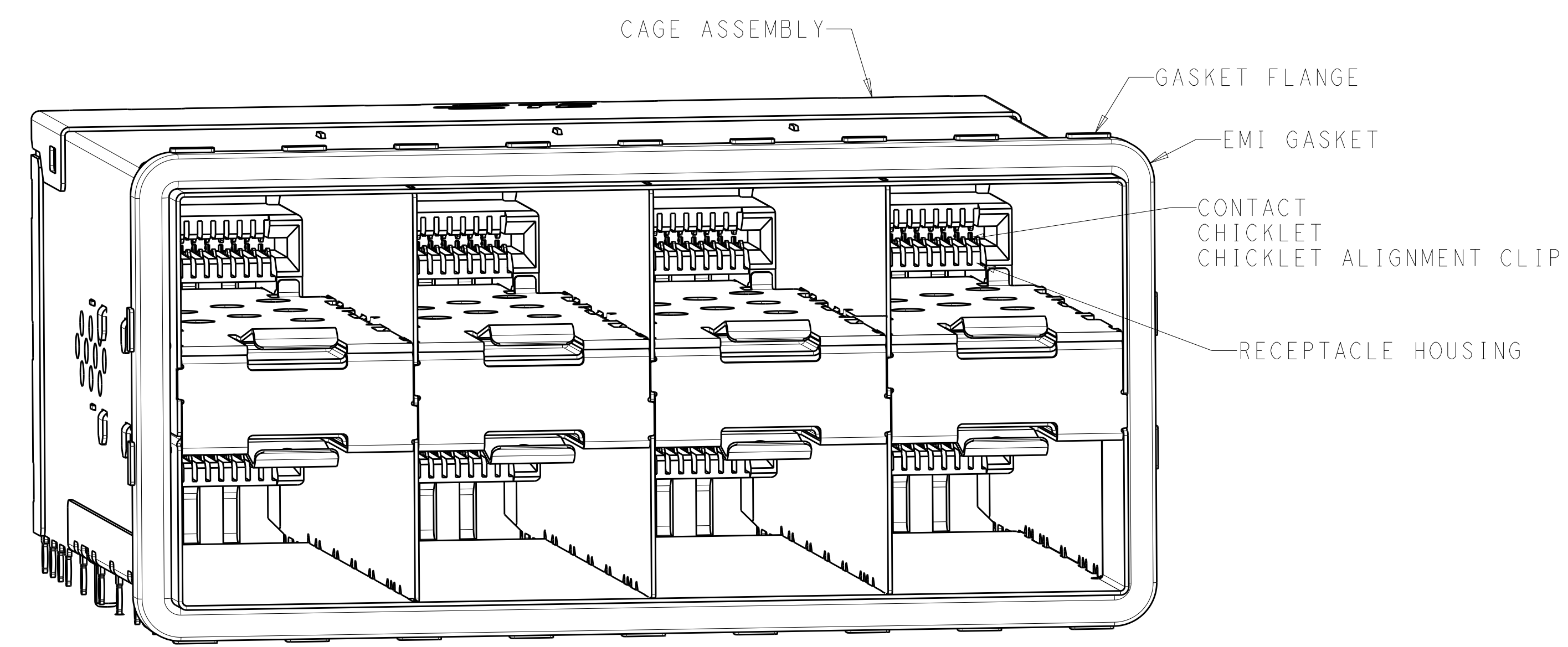
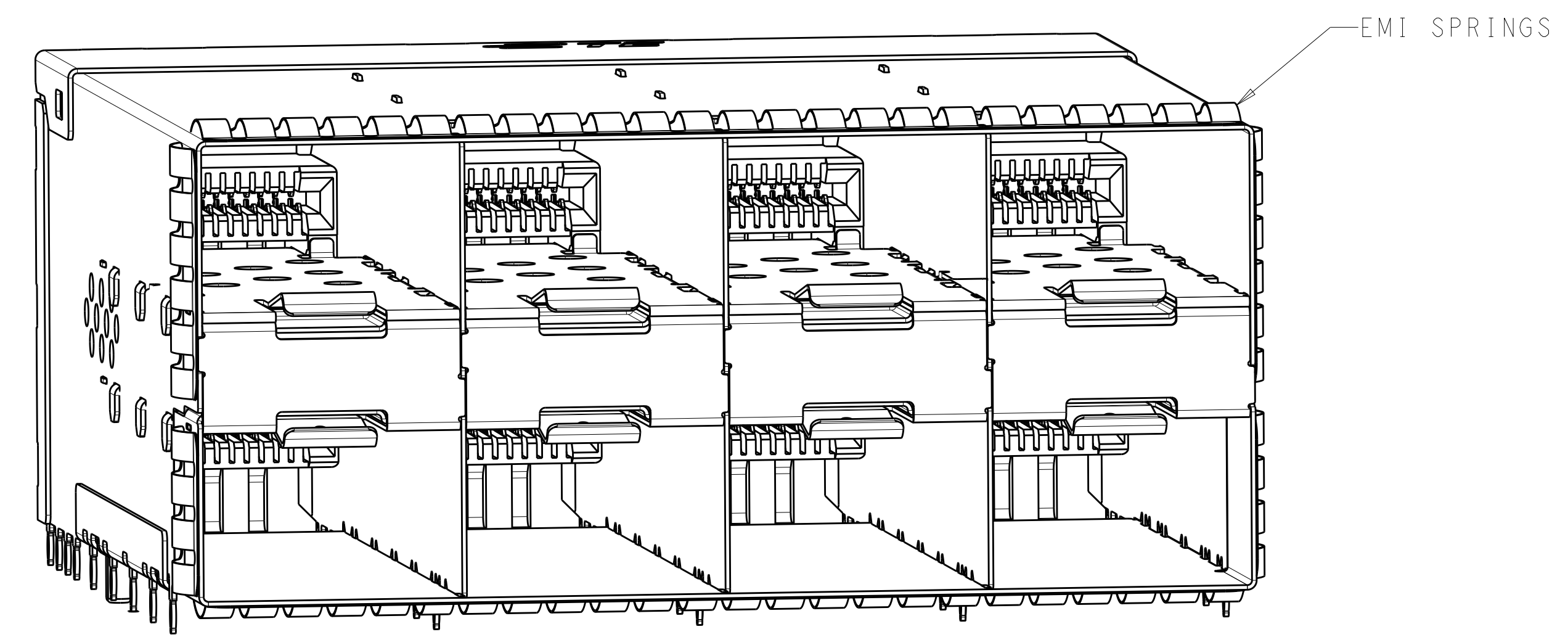


LOC	DIST	REVISIONS			
P	LTN	DESCRIPTION	DATE	DMN	APVD
A		PRODUCTION RELEASE	05JUN2018	JW	SH
B		REVISED PER ECO-19-014631	24SEP2019	JY	SH

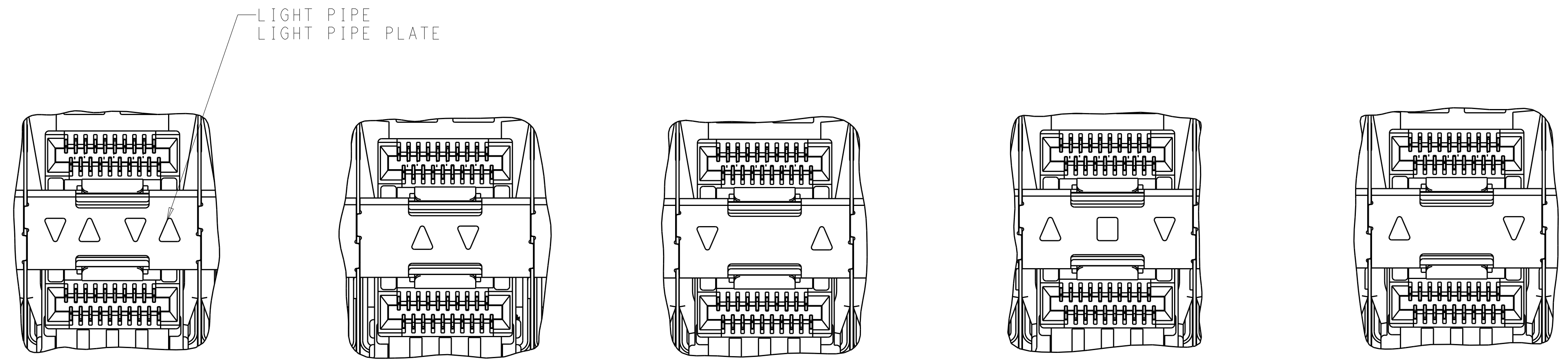


2339978-1  
SCALE 4:1



2339978-5  
SCALE 4:1

- MATERIALS:  
 CAGE ASSEMBLY - NICKEL-SILVER ALLOY PER ASTM B 122  
 CONNECTOR HOUSING - LCP, BLACK, UL 94V-O RATED  
 CHICKLET - LCP, BLACK, UL 94V-O RATED  
 CHICKLET ALIGNMENT CLIP - LCP, BLACK, UL 94V-O RATED  
 CONTACT - COPPER ALLOY  
 EMI GASKET - ELASTOMERIC  
 GASKET FLANGE - STAINLESS STEEL  
 EMI SPRINGS - PHOSPHOR BRONZE PER ASTM B 103,  
 0.8µm MIN TIN PER ASTM B 545  
 LIGHT PIPE - POLYCARBONATE  
 INSULATOR TAPE: KAPTON  
 LIGHT PIPE PLATE- STAINLESS STEEL
  - CONTACT FINISH:  
 CONFORMS TO THE REQUIREMENTS OF PRODUCT SPECIFICATION 108-2481,  
 BASED ON EIA/ECA-364-1000.01A, (CONTROLLED ENVIRONMENT  
 APPLICATIONS) ON MATING INTERFACE, TIN ON NEEDLE EYE
  - PCB MINIMUM THICKNESS = 1.5mm
- △ FOR HOLE SIZE AND PLATINGS,  
SEE APPLICATION SPECIFICATION 114-13319
- △ LIGHT PIPE PAD LAYOUT IS FOR 0805 LOW PROFILE  
LED PACKAGE WITH A HEIGHT OF 0.8mm
- △ DIMENSIONS APPLY FOR EMI SPRINGS ONLY
- △ THE ENTIRE AREA OF THE CONNECTOR FOOTPRINT, INDICATED BY THE  
DASHED LINE, TO BE CONSIDERED THE KEEPOUT AREA FOR COMPONENTS  
AND SIGNAL TRACES, TOP SIDE ONLY, TOP SIDE TRACES ALLOWED  
WITHIN CONNECTOR HOLE PATTERN



INNER/OUTER LIGHT PIPES  
2339978-2, 2339978-6  
SCALE 4:1

INNER LIGHT PIPES  
2339978-3, 2339978-7  
SCALE 4:1

OUTER LIGHT PIPES  
2339978-4, 2339978-8  
SCALE 4:1

CENTER/REVERSED OUTER  
1-2339978-7, 1-2339978-9  
SCALE 4:1

REVERSED OUTER LIGHT PIPES  
1-2339978-8, 2-2339978-0  
SCALE 4:1

59.5	EMI SPRING INSULATOR TAPE AIRFLOW ENHANCE TYPE	NONE	3-2339978-4
59.5	EMI SPRING AIRFLOW ENHANCE TYPE	OUTER	3-2339978-3
59.5	EMI SPRING AIRFLOW ENHANCE TYPE	CENTER/REVERSED OUTER	3-2339978-2
59.5	EMI SPRING AIRFLOW ENHANCE TYPE	NONE	3-2339978-1
62.25	EMI GASKET AIRFLOW ENHANCE TYPE	NONE	3-2339978-0
59.5	EMI SPRINGS	REVERSED OUTER	2-2339978-0
		CENTER/REVERSED OUTER	1-2339978-9
62.25	EMI GASKET	REVERSED OUTER	1-2339978-8
		CENTER/REVERSED OUTER	1-2339978-7
59.5	EMI SPRINGS	OUTER	2339978-8
		INNER	2339978-7
		INNER/OUTER	2339978-6
62.25	EMI GASKET	NONE	2339978-5
		OUTER	2339978-4
		INNER	2339978-3
		INNER/OUTER	2339978-2
		NONE	2339978-1
(E)	CAGE TYPE	LIGHT PIPE CONFIGURATION	PART NUMBER

THIS DRAWING IS A CONTROLLED DOCUMENT.

DMN: J. WANG 17JUL2018  
 CHK: S. HAN 17JUL2018  
 APVD: S. HAN 17JUL2018

TE Connectivity

NAME: RECEPTACLE ASSEMBLY, 2X4, STACKED, SFP56

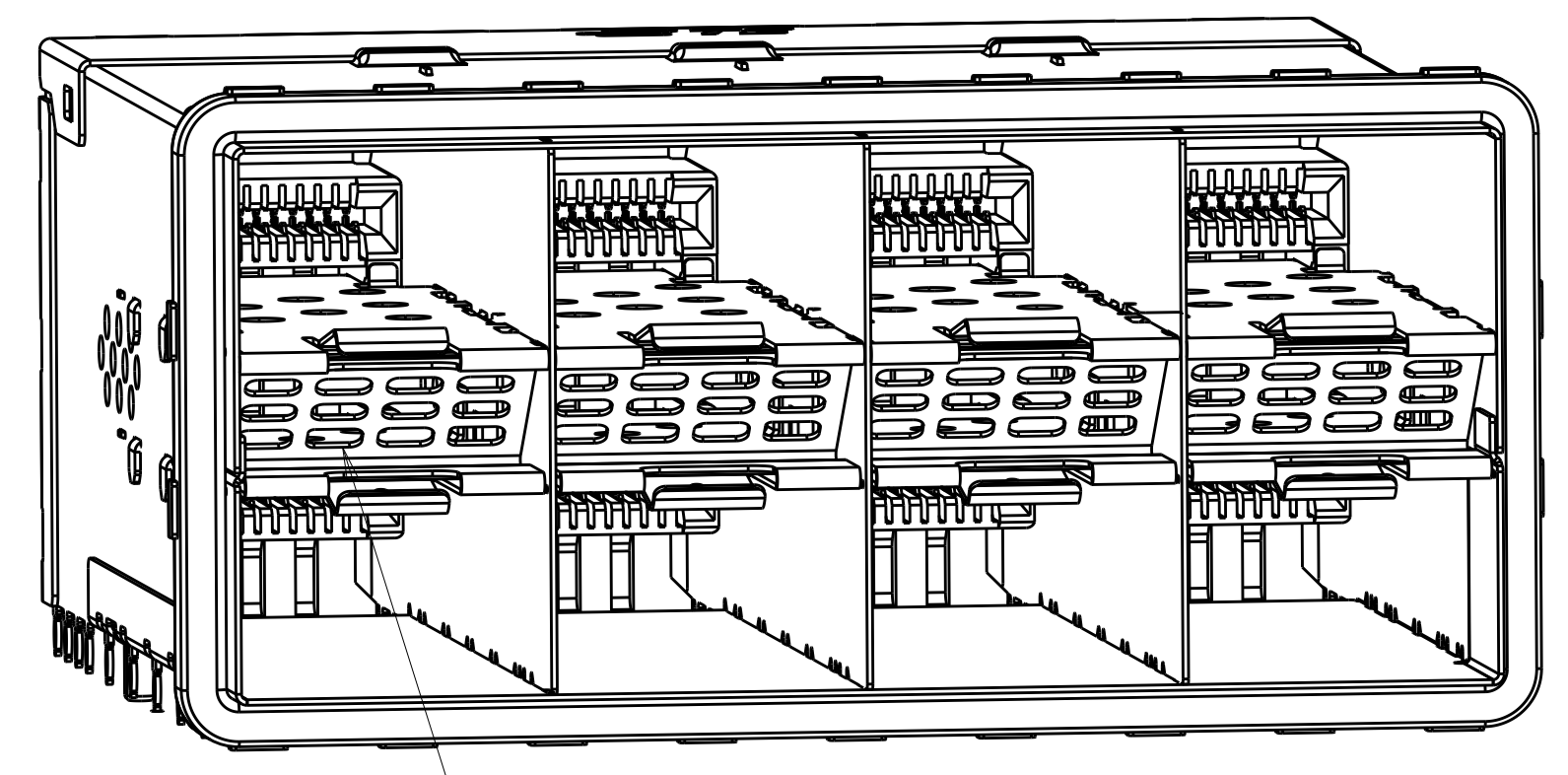
PRODUCT SPEC: 108-2481  
 APPLICATION SPEC: 114-13319

SIZE: A1 CAGE CODE: 00779 DRAWING NO: 2339978  
 WEIGHT: -  
 CUSTOMER DRAWING

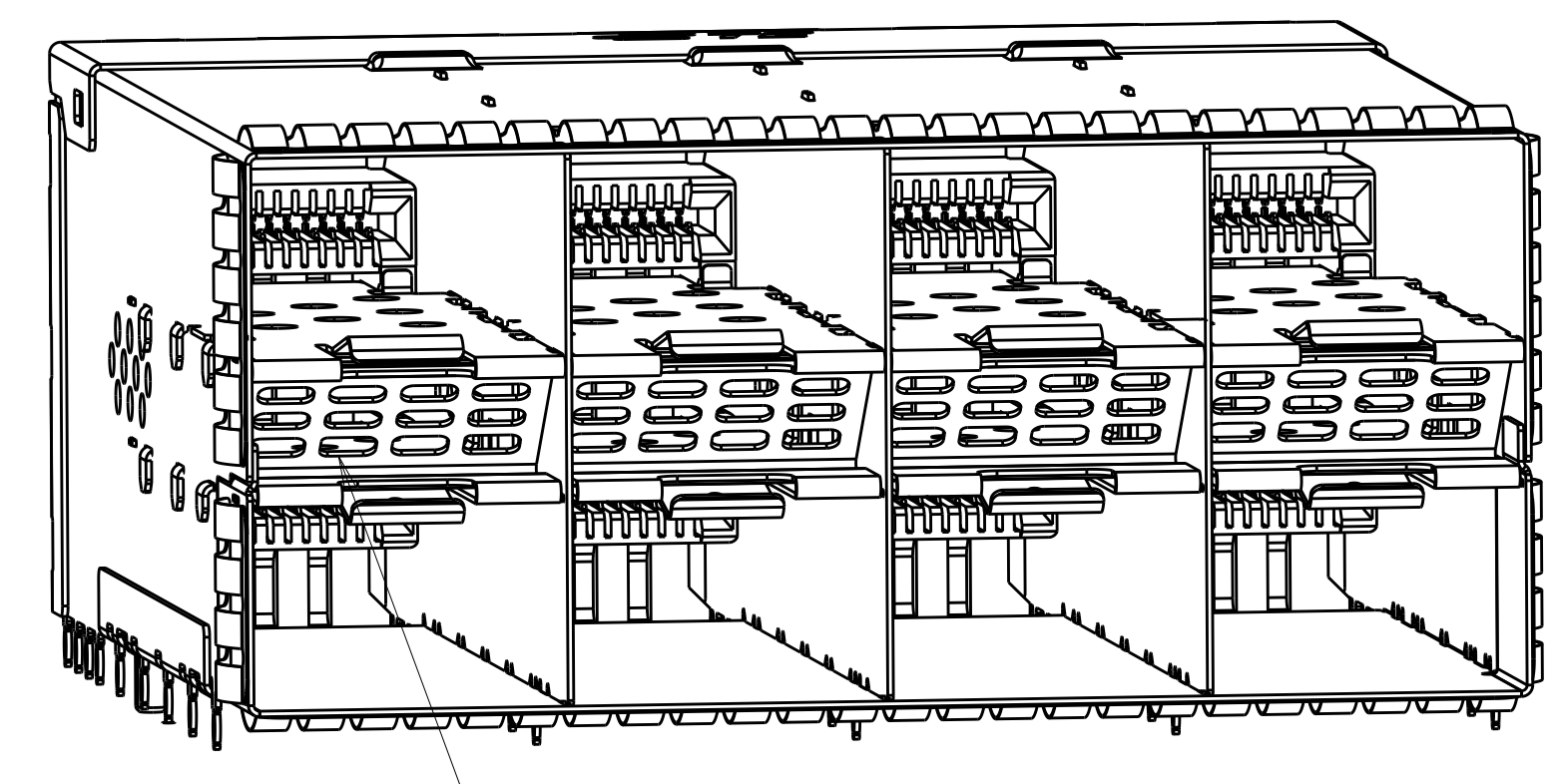
SCALE: 4:1 SHEET 1 OF 7 REV B

LOC		DIST		REVISIONS			
GP	00	P	LYR	DESCRIPTION	DATE	OWN	APVD
		-		SEE SHEET 1			

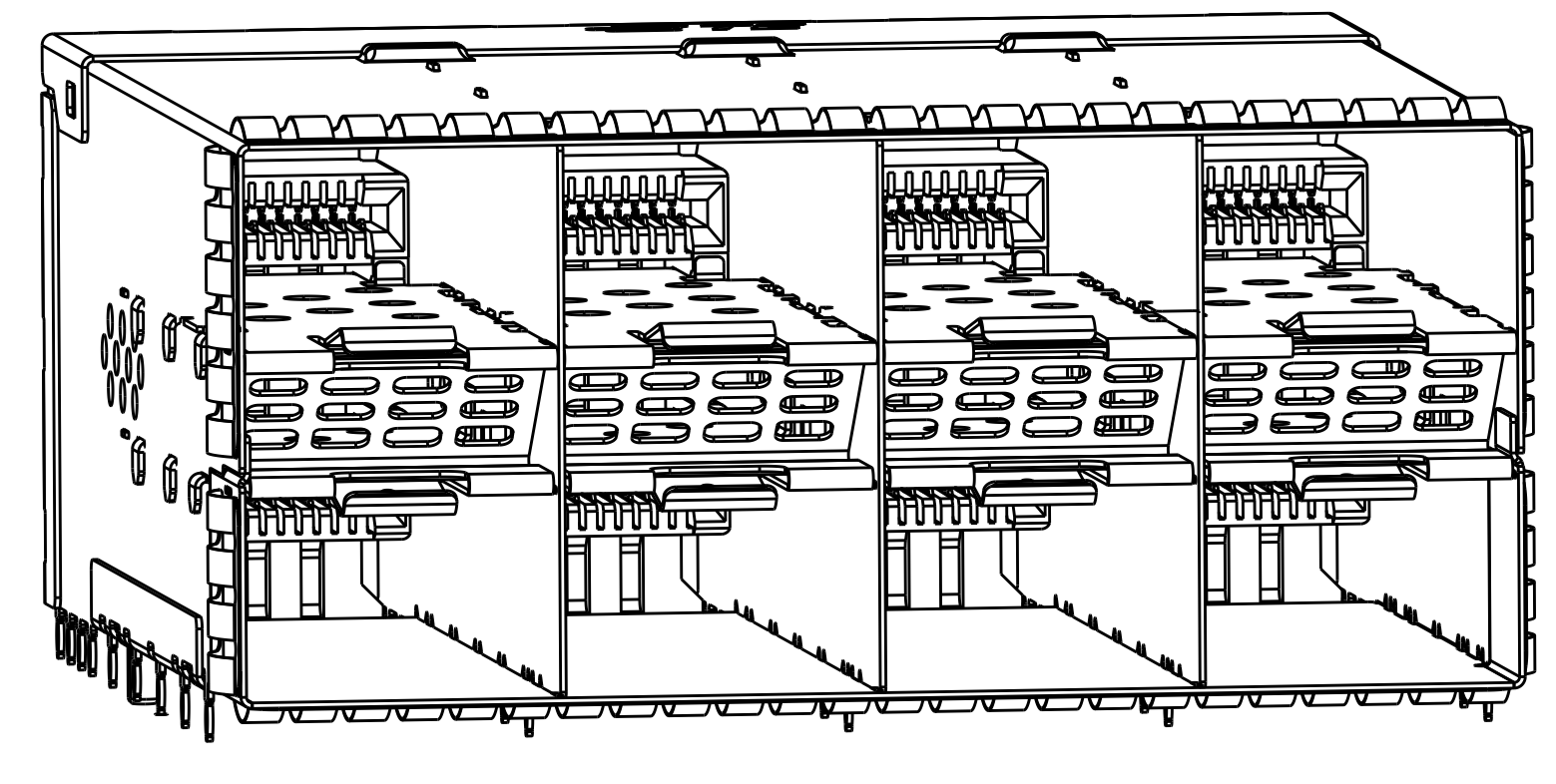
# AIRFLOW ENHANCE W/O LP TYPE



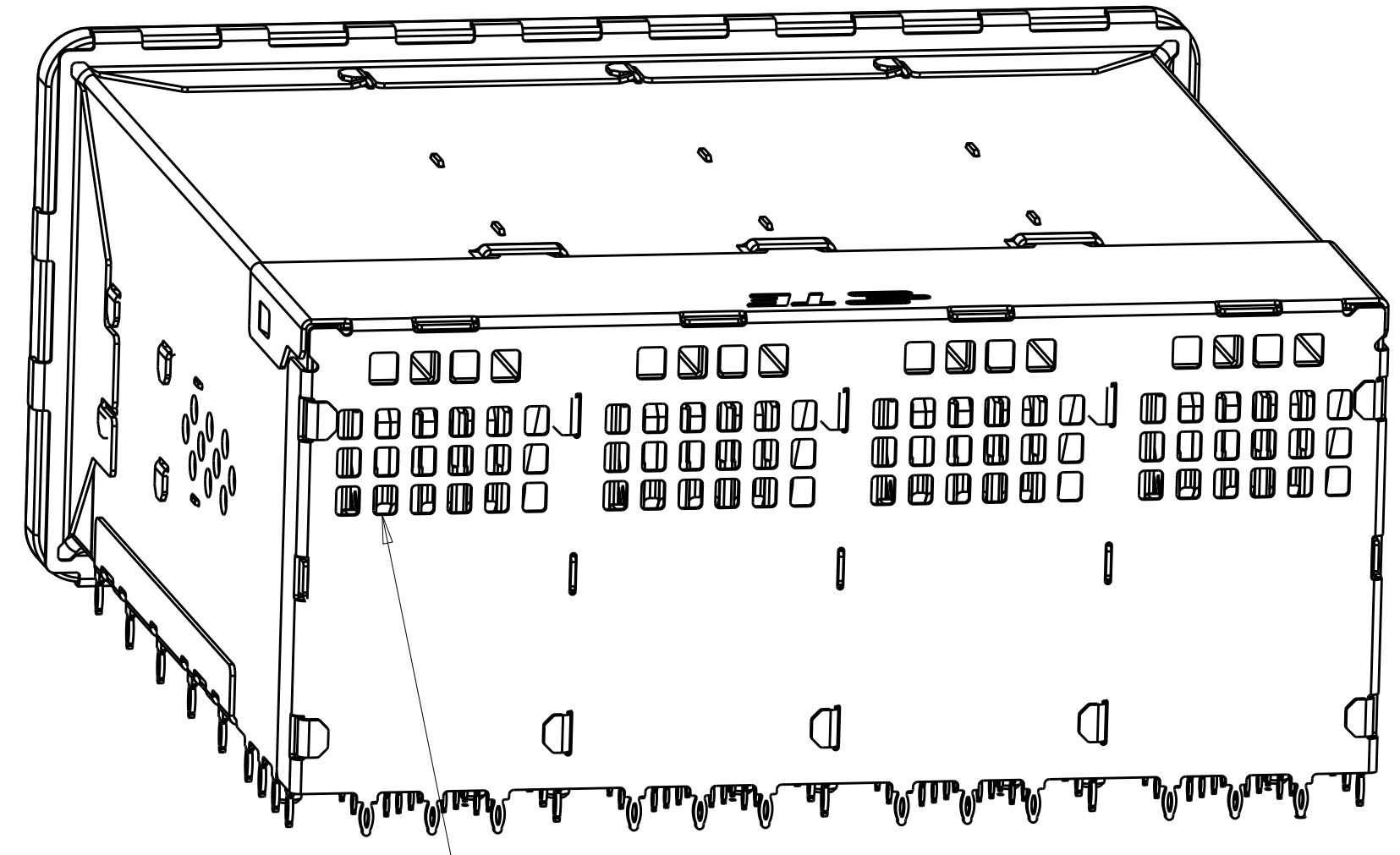
AIR VENTS



AIR VENTS

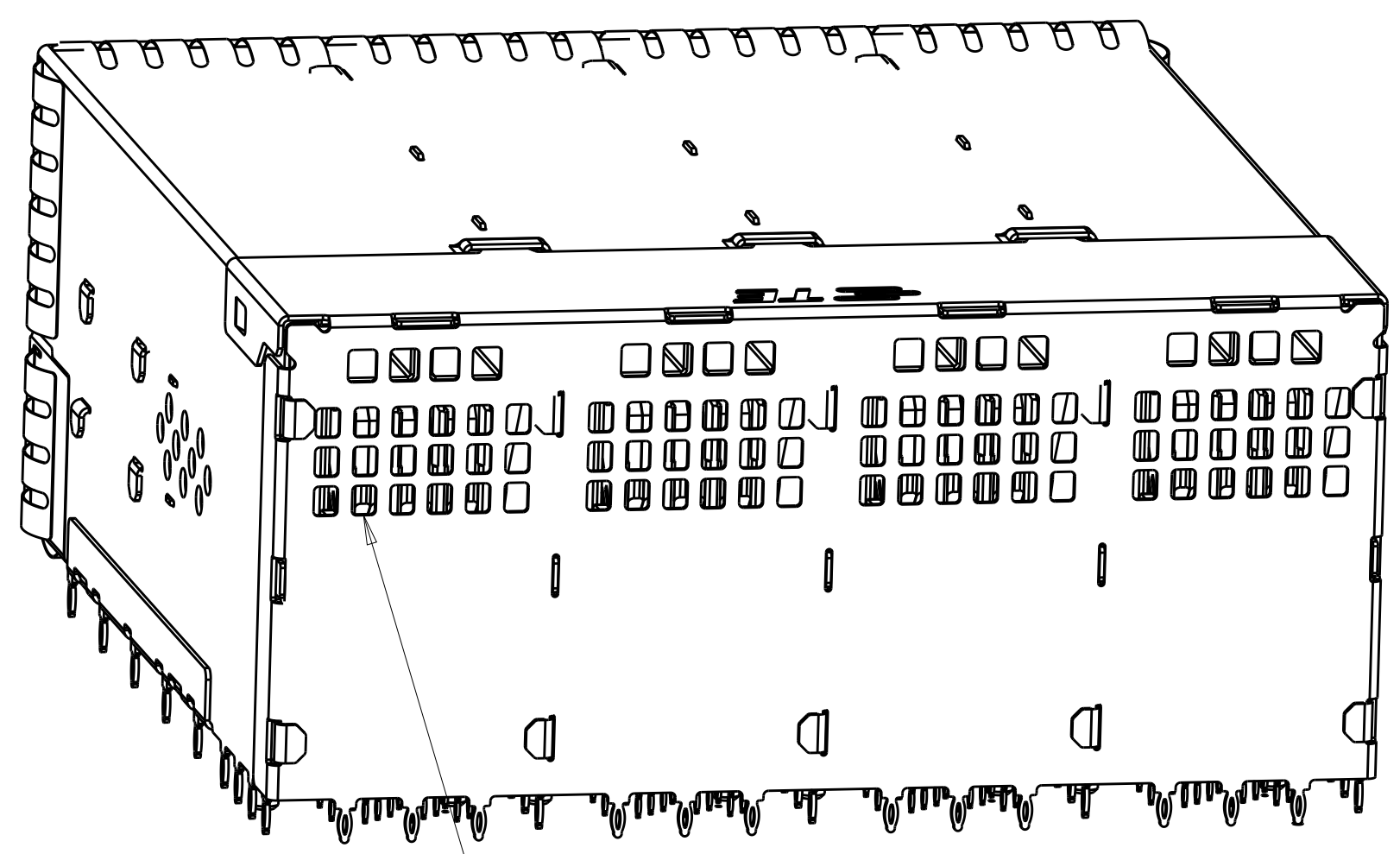


INSULATOR TAPE



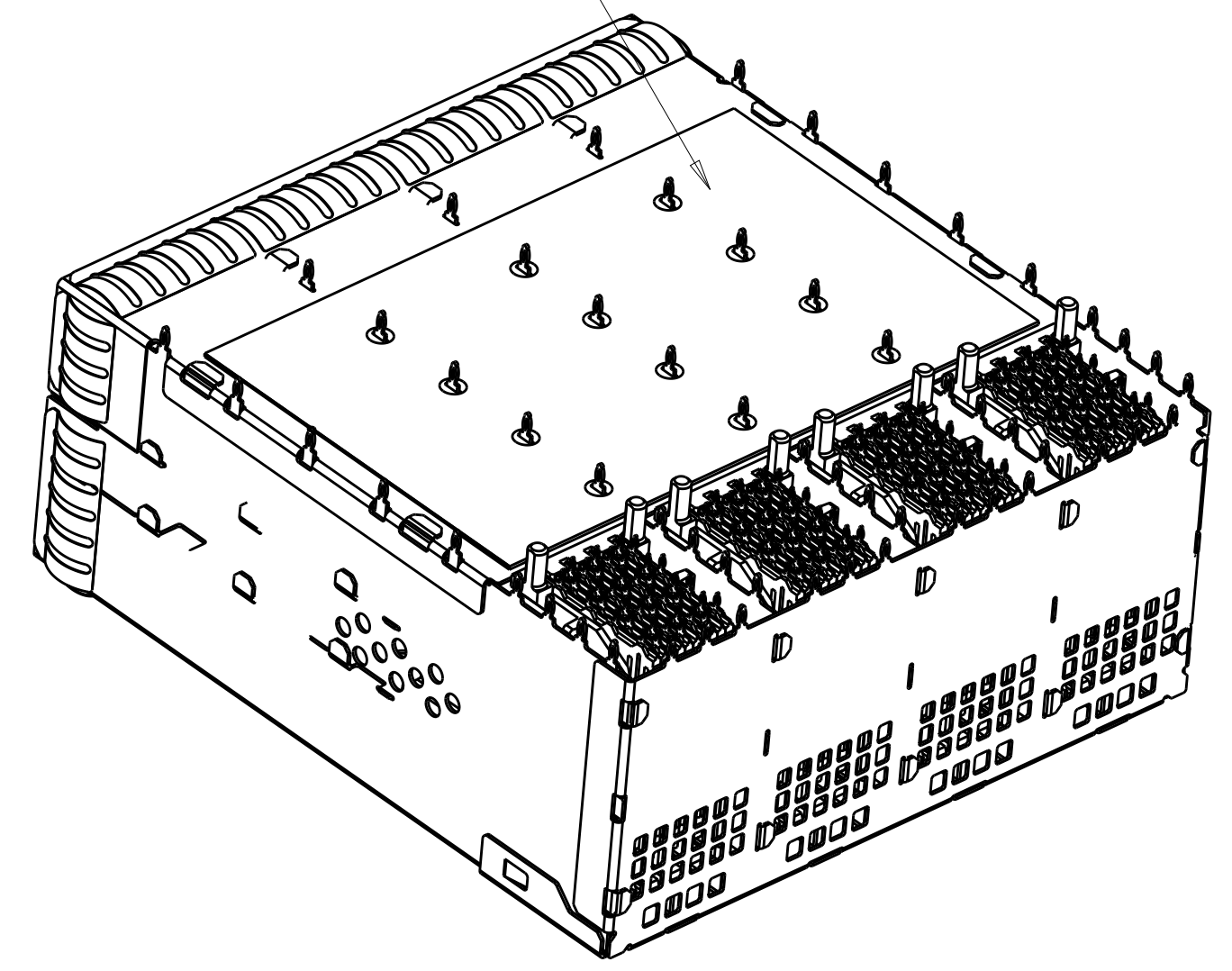
AIR VENTS

3-2339978-0  
EMI GASKET TYPE



AIR VENTS

3-2339978-1  
EMI SPRING TYPE



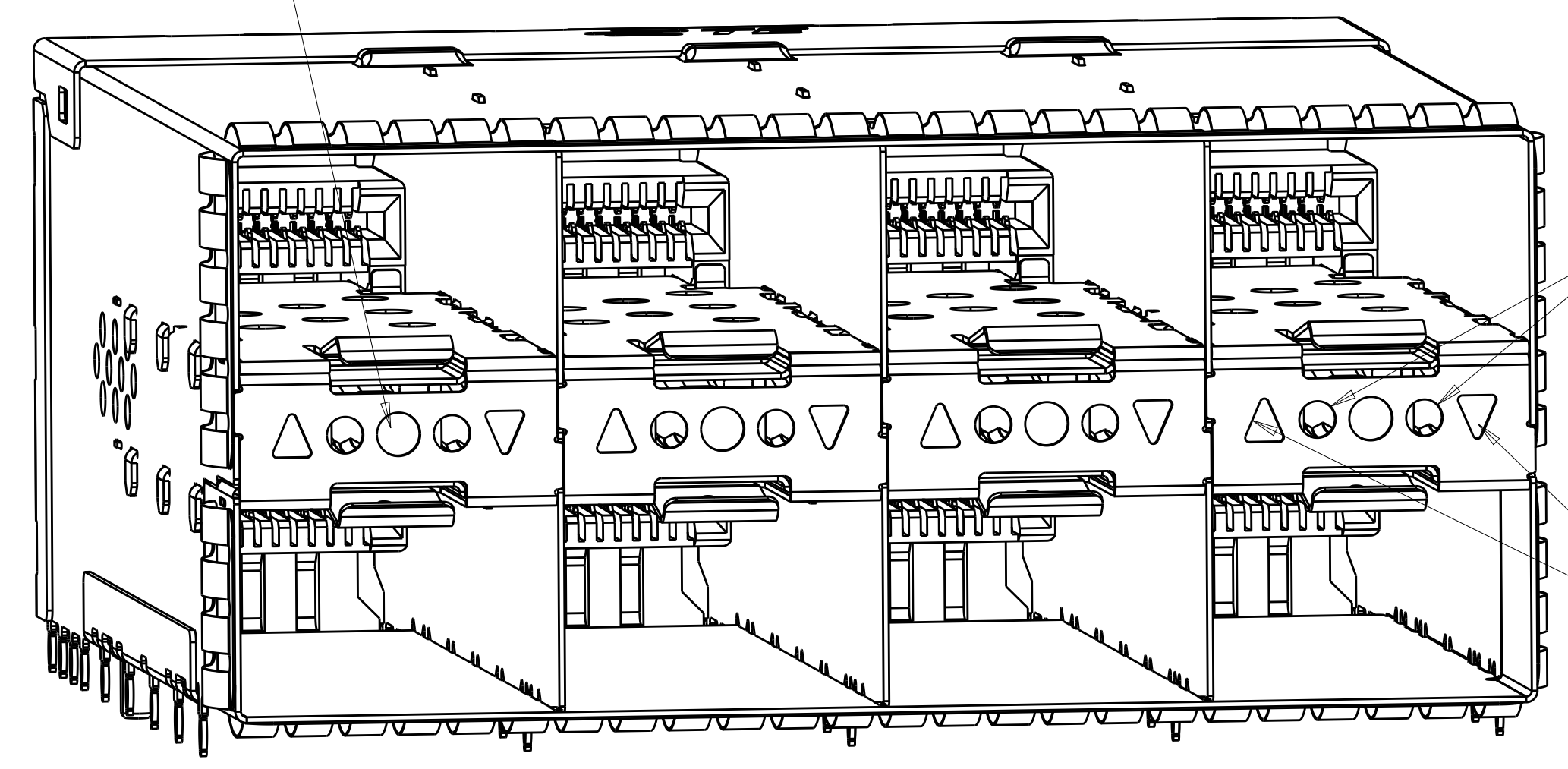
3-2339978-4  
SCALE 3:1

THIS DRAWING IS A CONTROLLED DOCUMENT.		OWN	J. WANG	17JUL2018	TE Connectivity NAME RECEPTACLE ASSEMBLY, 2X4, STACKED, SFP56		
DIMENSIONS:		CHK	S. HAN	17JUL2018			
mm		APVD	S. HAN	17JUL2018			
0 PLC ±0.25 1 PLC ±0.25 2 PLC ±0.25 3 PLC ±0.25 4 PLC ±0.25 ANGLES ±°		PRODUCT SPEC	108-2481	APPLICATION SPEC			
MATERIAL SEE NOTES		FINISH	SEE NOTES	SIZE	CAGE CODE	DRAWING NO	RESTRICTED TO
				114-13319	100779	C=2339978	
				WEIGHT			
				CUSTOMER DRAWING	SCALE	4:1	SHEET 2 OF 7 REV B

LOC	DIST	REVISIONS					
GP	00	P	LYR	DESCRIPTION	DATE	OWN	APVD
		-		SEE SHEET 1			

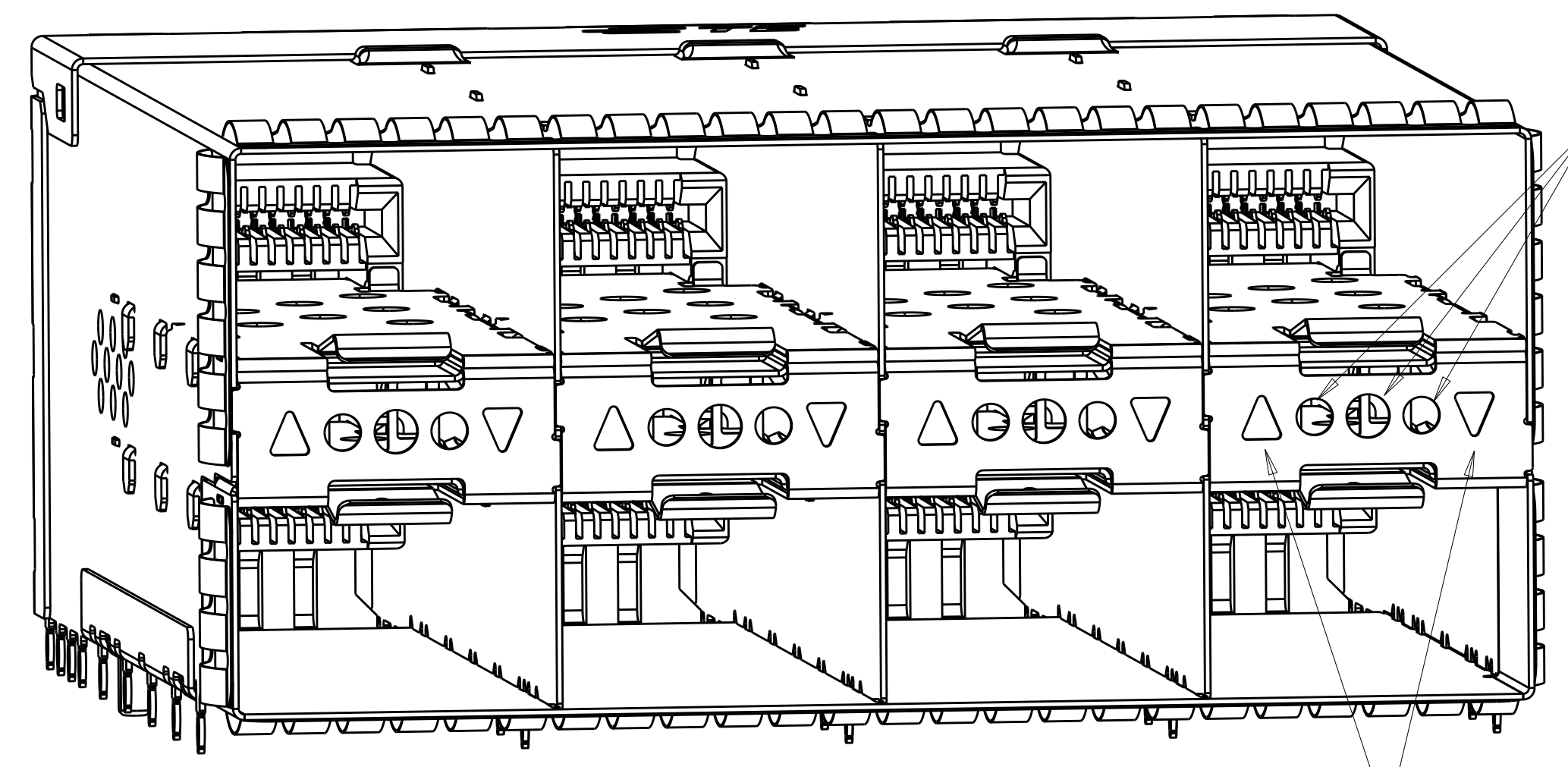
# AIRFLOW ENHANCE W/ LP TYPE

INNER LIGHT PIPE



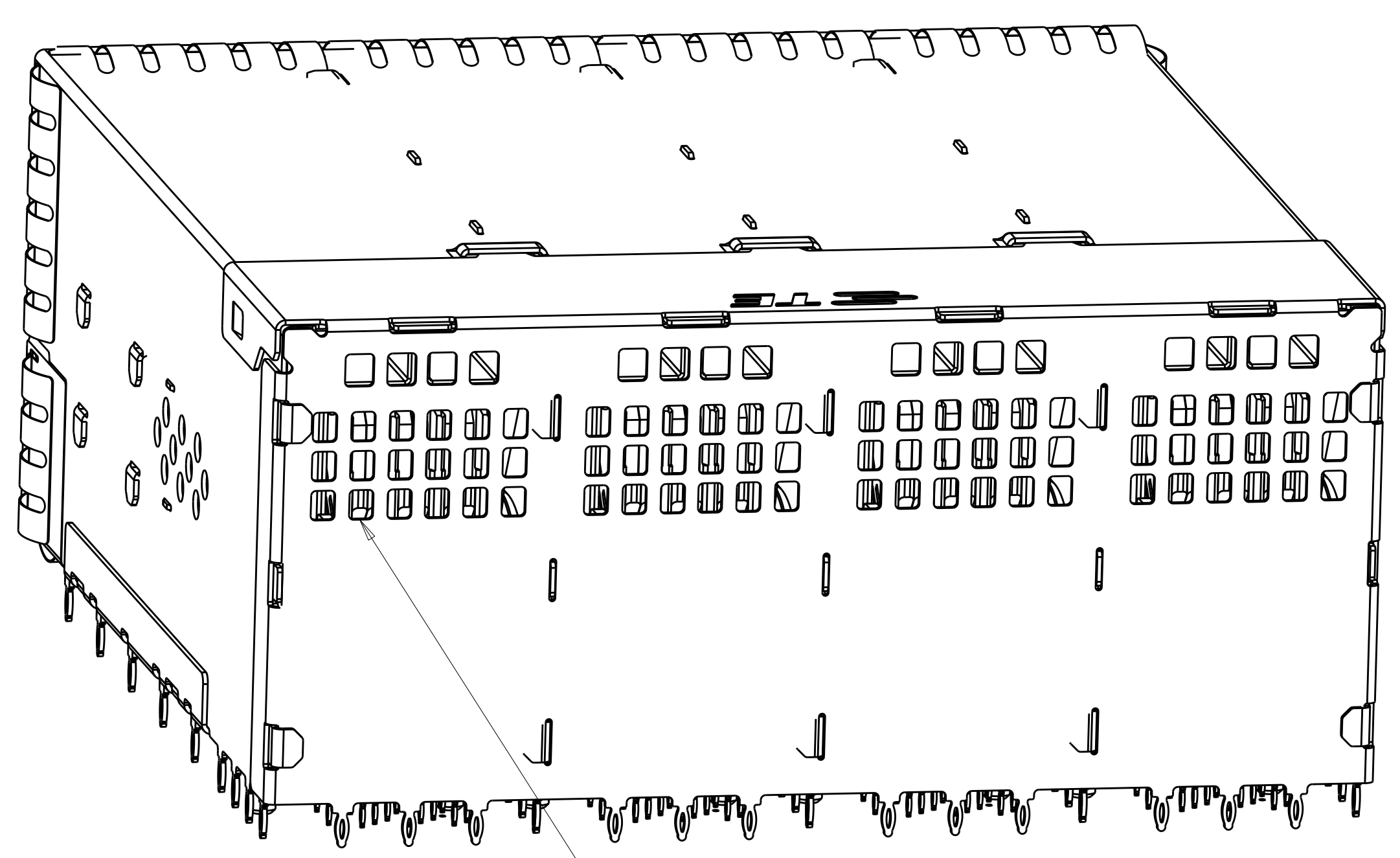
AIR VENTS

OUTER LIGHT PIPE



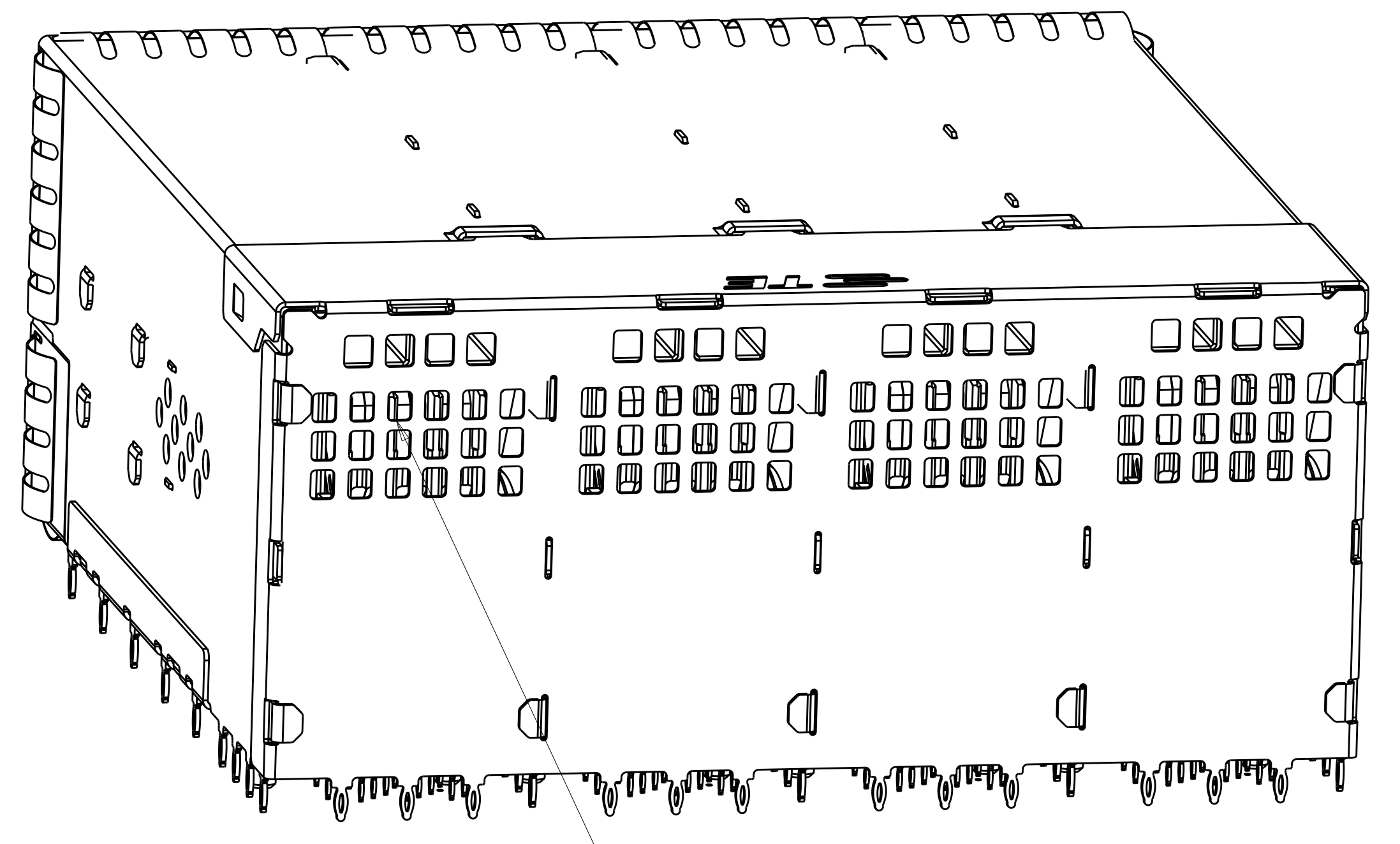
AIR VENTS

OUTER LIGHT PIPE



AIR VENTS

3-2339978-2  
EMI SPRING W/ LP TYPE

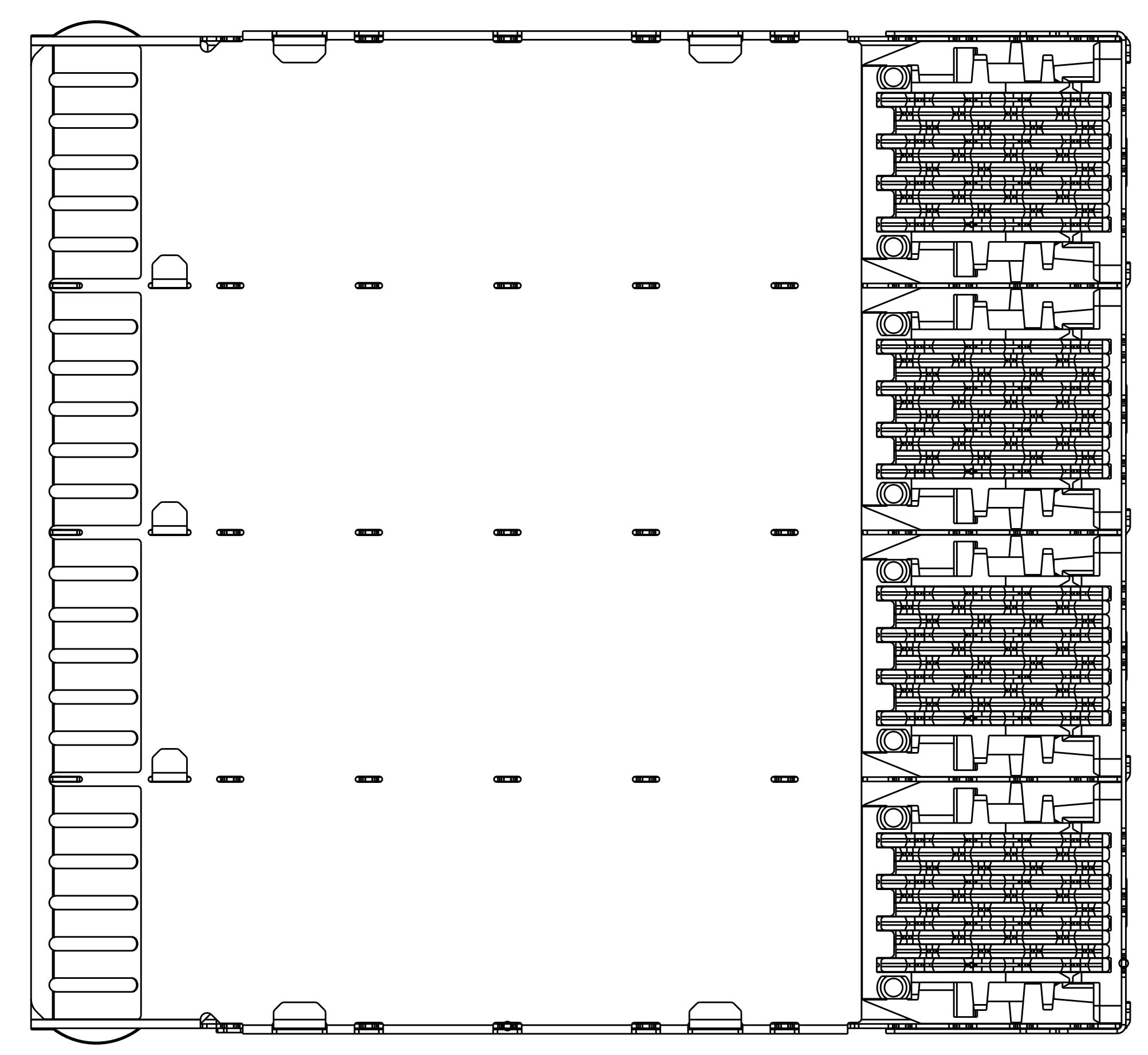
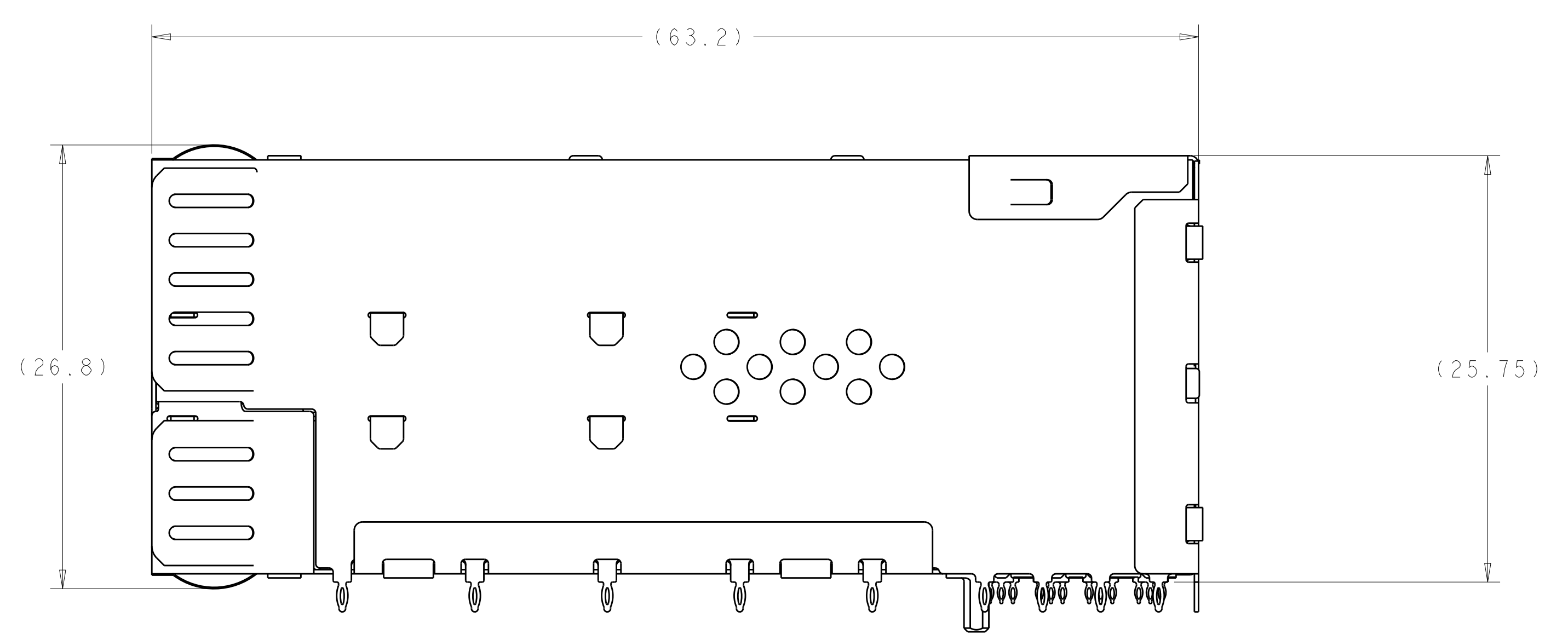
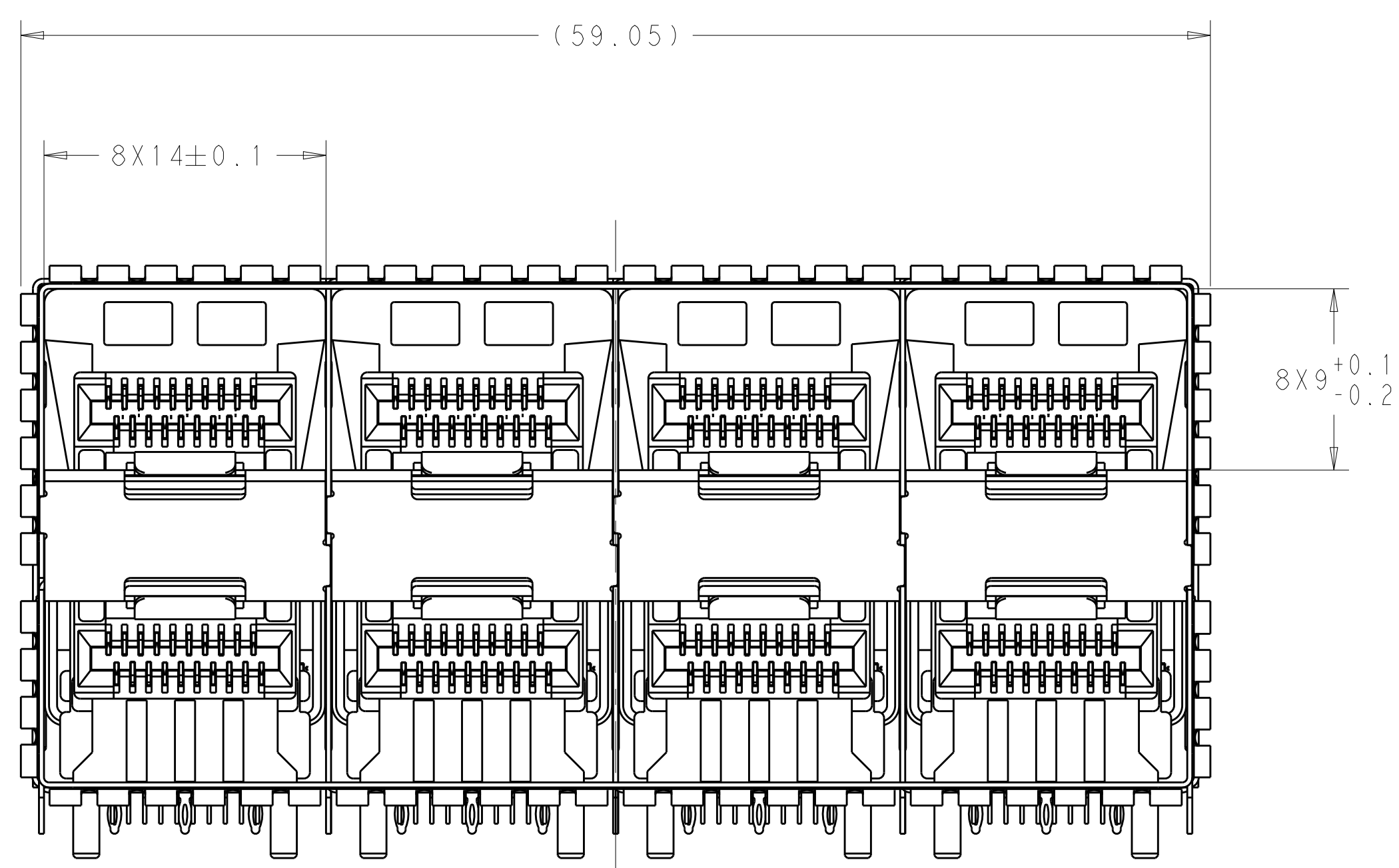


AIR VENTS

3-2339978-3  
EMI SPRING W/ OUTER LP TYPE

THIS DRAWING IS A CONTROLLED DOCUMENT.		OWN	J. WANG	17JUL2018	TE Connectivity NAME RECEPTACLE ASSEMBLY, 2X4, STACKED, SFP56
DIMENSIONS:		CHK	S. HAN	17JUL2018	
mm		APVD	S. HAN	17JUL2018	
0 PLC $\pm 0.25$ 1 PLC $\pm 0.25$ 2 PLC $\pm 0.25$ 3 PLC $\pm 0.25$ 4 PLC $\pm 0.25$ ANGLES $\pm 0.1^\circ$		PRODUCT SPEC	108-2481	APPLICATION SPEC	
MATERIAL	SEE NOTES	FINISH	SEE NOTES	114-13319	RESTRICTED TO
CUSTOMER DRAWING		SCALE	4:1	SHEET 3 OF 7	REV B

LOC		DIST		REVISIONS			
GP	00	REV	DATE	DESCRIPTION	DATE	OWN	APVD
-	-	-	-	SEE SHEET 1	-	-	-

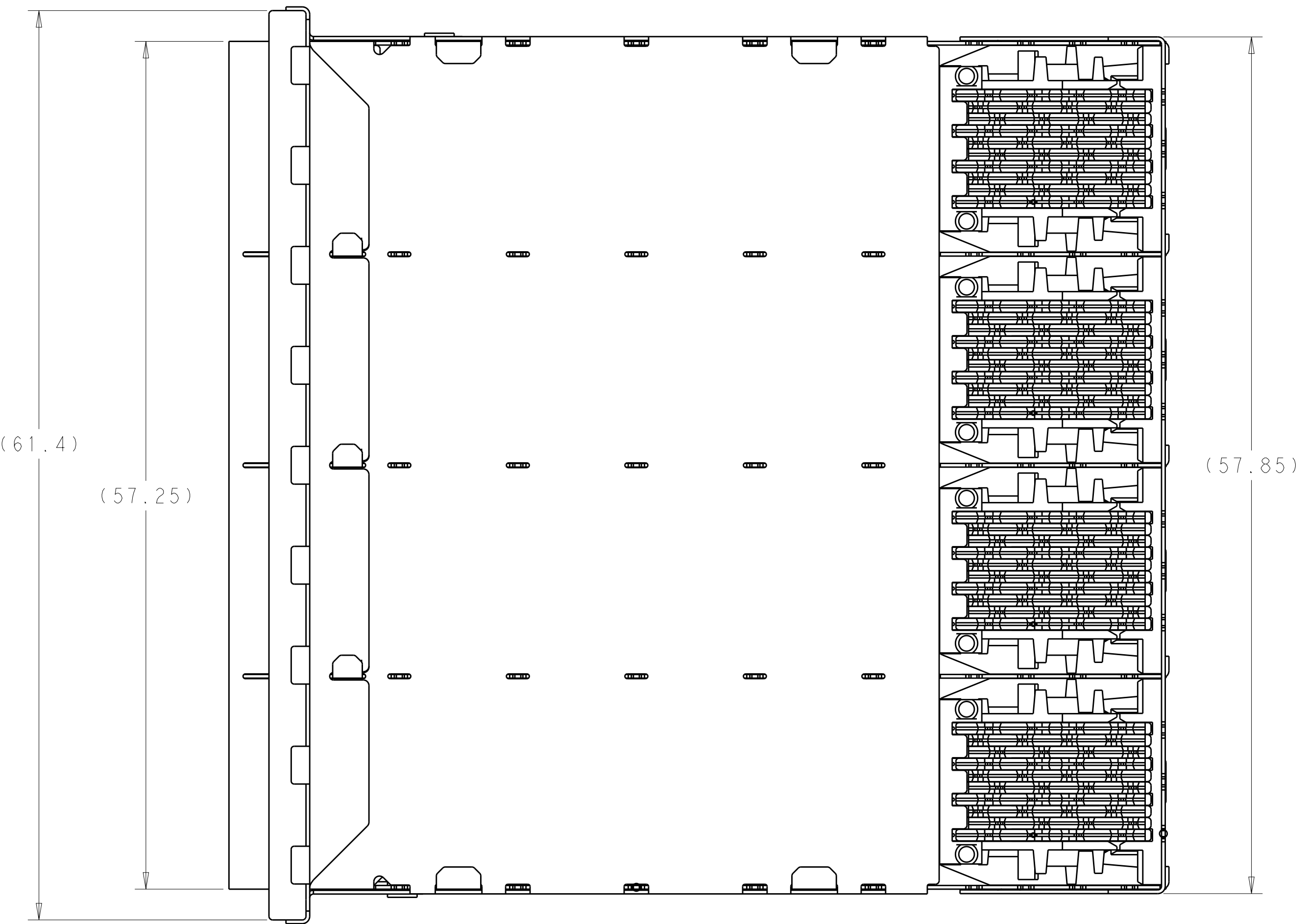
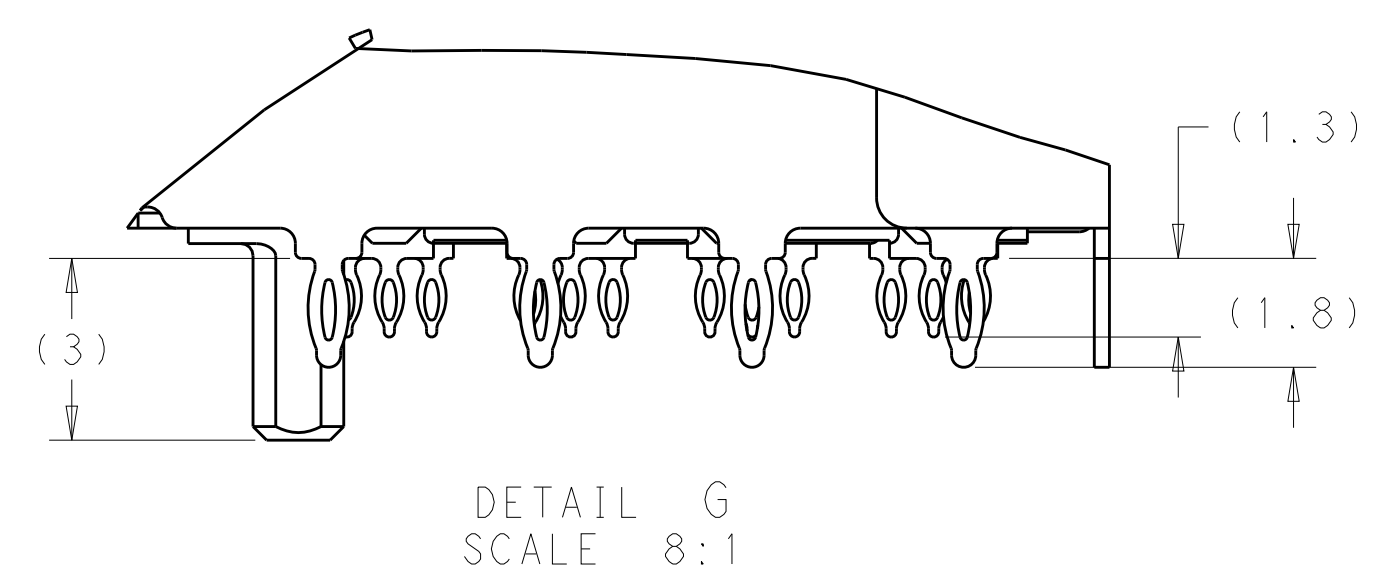
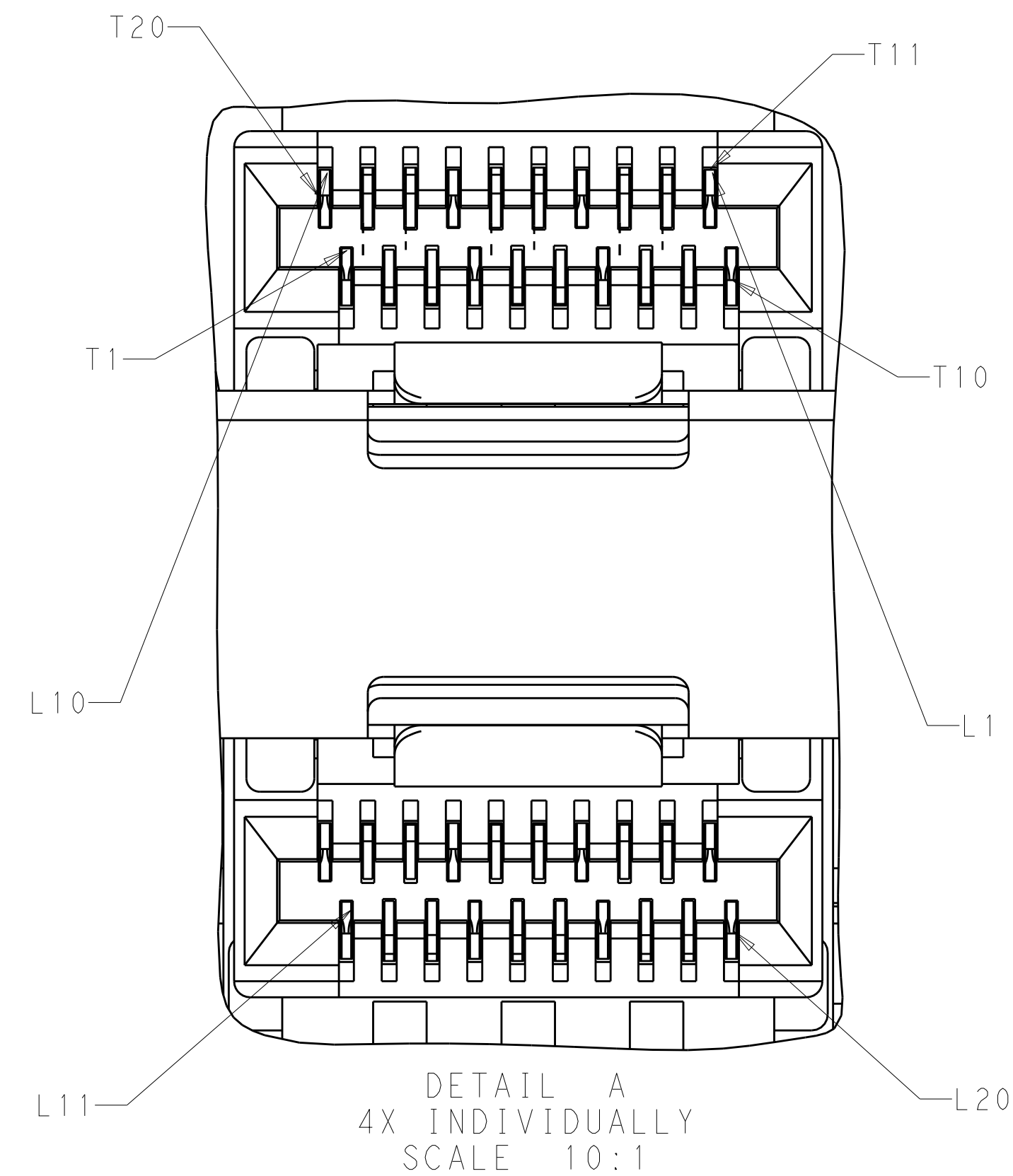
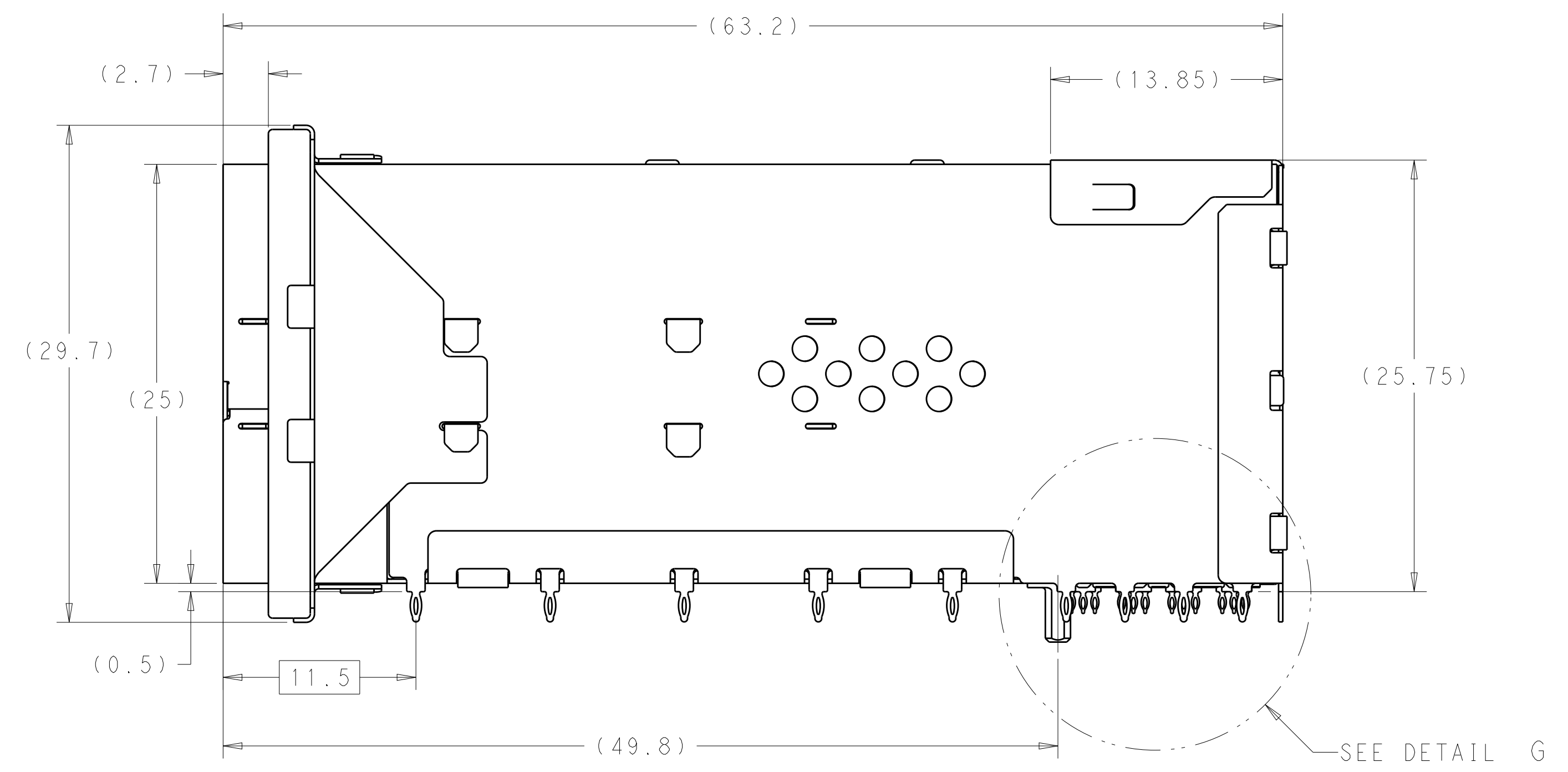
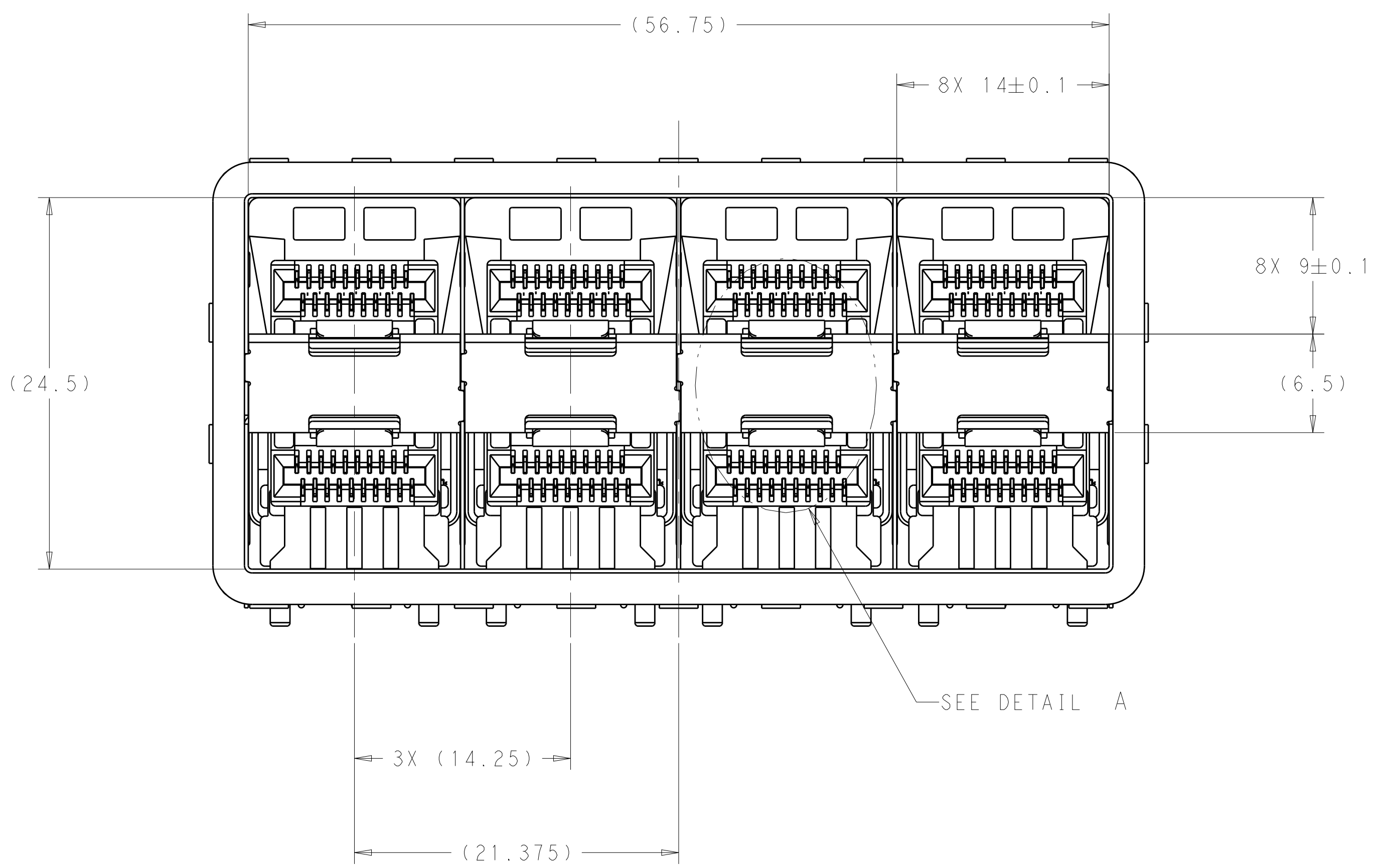


EMI SPRINGS VERSIONS ONLY  
 SCALE 4:1

THIS DRAWING IS A CONTROLLED DOCUMENT.		OWN: J. WANG 17JUL2018	TE Connectivity
DIMENSIONS: mm		CHK: S. HAN 17JUL2018	
TOLERANCES UNLESS OTHERWISE SPECIFIED:		APVD: S. HAN 17JUL2018	NAME: RECEPTACLE ASSEMBLY, 2X4, STACKED, SFP56
0 PLC ±0.25 1 PLC ±0.25 2 PLC ±0.25 3 PLC ±0.25 4 PLC ±0.25 ANGLES ±°		PRODUCT SPEC: 108-2481	SIZE: A1
MATERIAL: SEE NOTES		APPLICATION SPEC: 114-13319	CAGE CODE: C=2339978
FINISH: SEE NOTES		WEIGHT: -	RESTRICTED TO: -
		CUSTOMER DRAWING	SCALE: 4:1 SHEET 4 OF 7 REV B



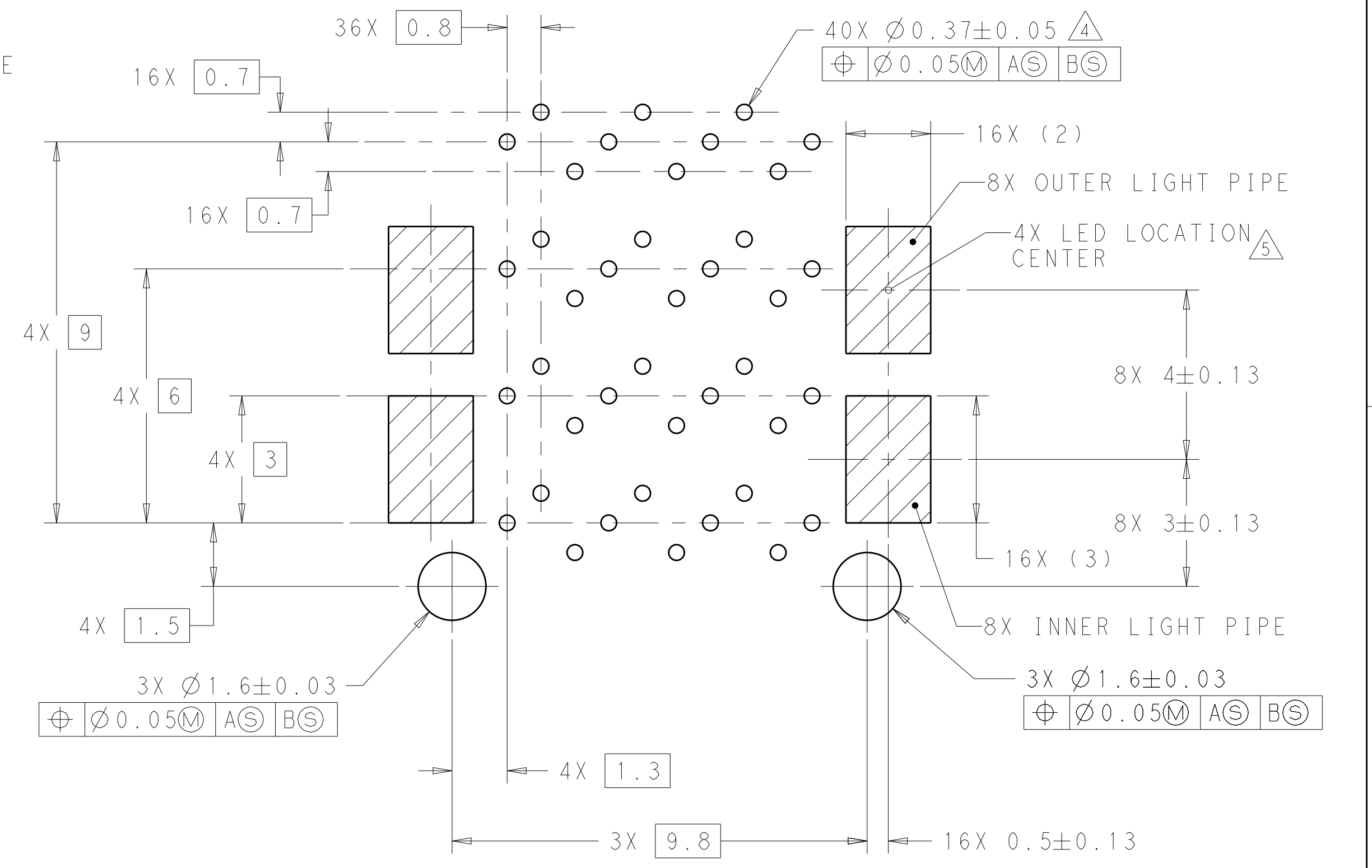
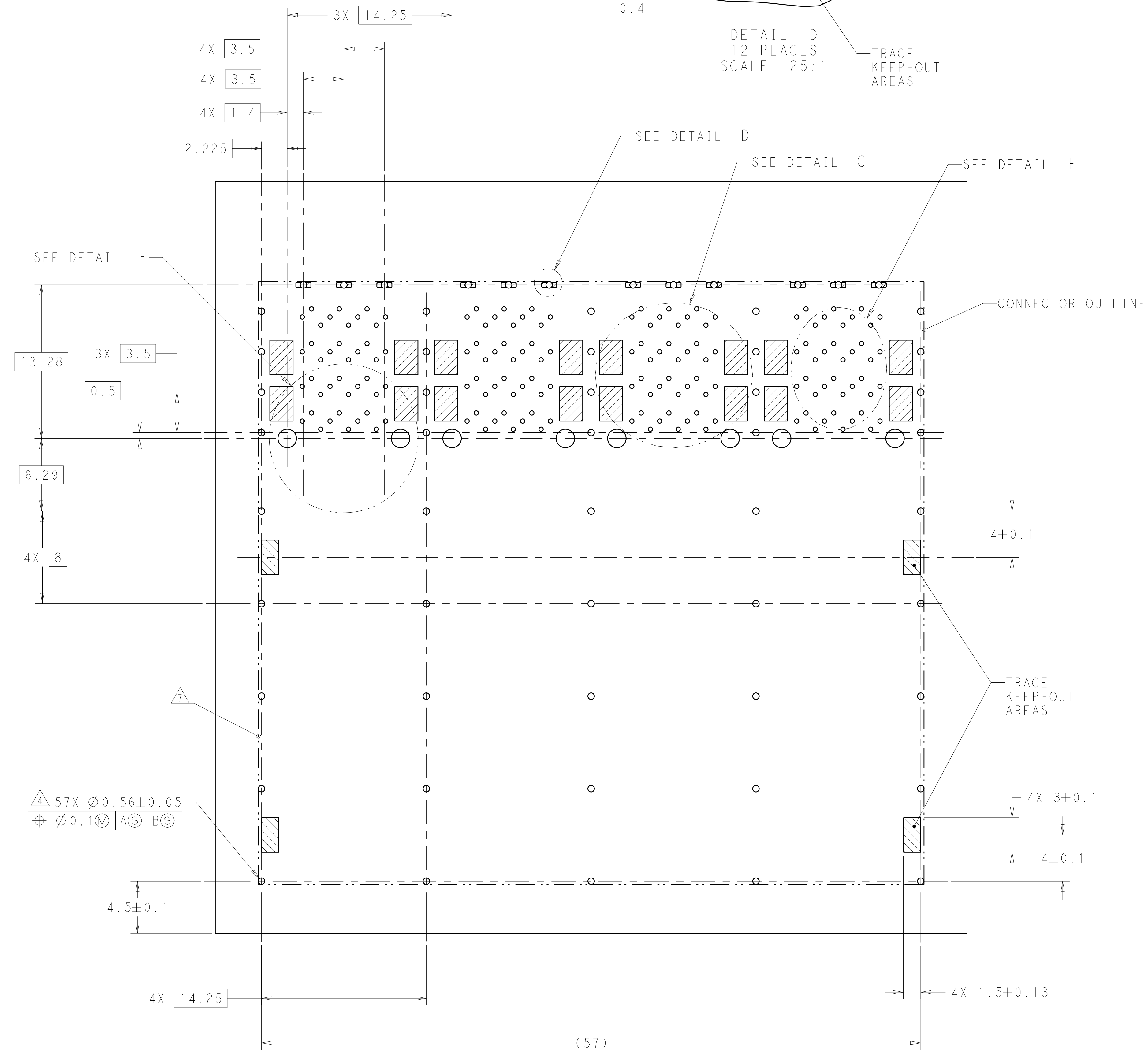
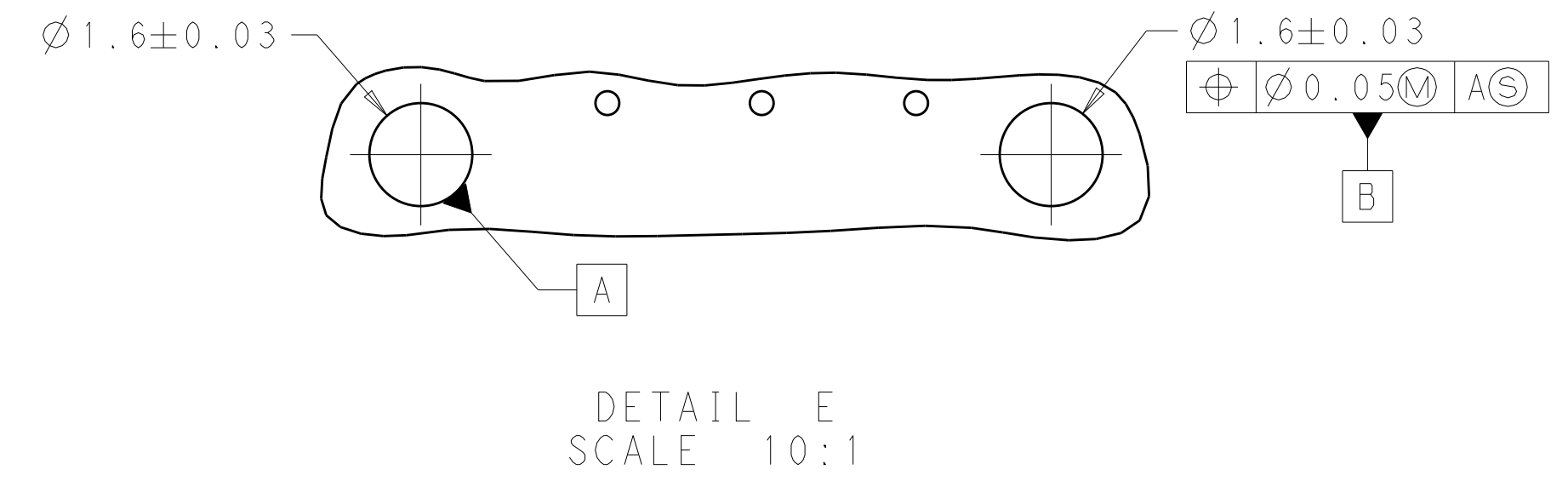
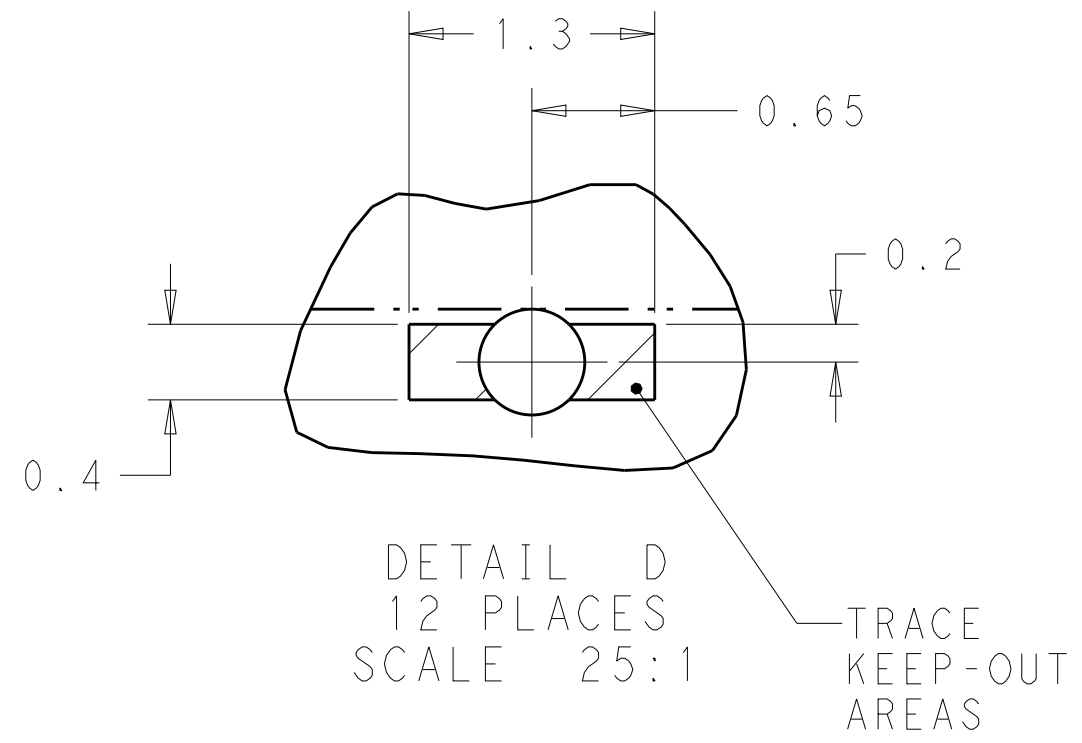
LOC		DIST		REVISIONS				
P	LTN	DATE	DMN	APVD	DESCRIPTION	DATE	DMN	APVD
-	-	-	-	-	SEE SHEET 1	-	-	-



THIS DRAWING IS A CONTROLLED DOCUMENT.

DIMENSIONS:	TOLERANCES UNLESS OTHERWISE SPECIFIED:	DMN: J. WANG 17JUL2018	CHK: S. HAN 17JUL2018	TE Connectivity NAME: RECEPTACLE ASSEMBLY, 2X4, STACKED, SFP56 PRODUCT SPEC: 108-2481 APPLICATION SPEC: - SIZE: CAGE CODE DRAWING NO: A100779 WEIGHT: - CUSTOMER DRAWING
mm	0 PLC ±0.25 1 PLC ±0.25 2 PLC ±0.25 3 PLC ±0.25 4 PLC ±0.25	APVD: S. HAN 17JUL2018	APVD: S. HAN 17JUL2018	
	ANGLES: ±0.5°	FINISH: SEE NOTES	FINISH: SEE NOTES	
MATERIAL: SEE NOTES	FINISH: SEE NOTES	SCALE: 4:1	SHEET 5 OF 7	

LOC	DIST	REV	DATE	BY	APPV
GP	00				
REVISIONS					
DESCRIPTION			DATE	BY	APPV
SEE SHEET 1					



THIS DRAWING IS A CONTROLLED DOCUMENT.		OWN J. WANG 17JUL2018	TE Connectivity
DIMENSIONS: mm		CHK S. HAN 17JUL2018	
TOLERANCES UNLESS OTHERWISE SPECIFIED:		APV S. HAN 17JUL2018	NAME RECEPTACLE ASSEMBLY, 2X4, STACKED, SFP56
0 PLC ±0.25		PRODUCT SPEC 108-2481	SIZE A100779C=2339978
1 PLC ±0.25		APPLICATION SPEC 114-13319	RESTRICTED TO
2 PLC ±0.25		WEIGHT	SCALE 4:1 SHEET 6 OF 7 REV B
3 PLC ±0.25		CUSTOMER DRAWING	
4 PLC ±0.25			
ANGLES ±4°			
MATERIAL SEE NOTES			
FINISH SEE NOTES			

LOC	DIST	REV	DATE	BY	APPV
GP	00				

REVISIONS			
NO.	DESCRIPTION	DATE	BY
-	SEE SHEET 1	-	-

T19○ T16○ T13○  
 T20○ T17○ T14○ T11○  
 T18○ T15○ T12○

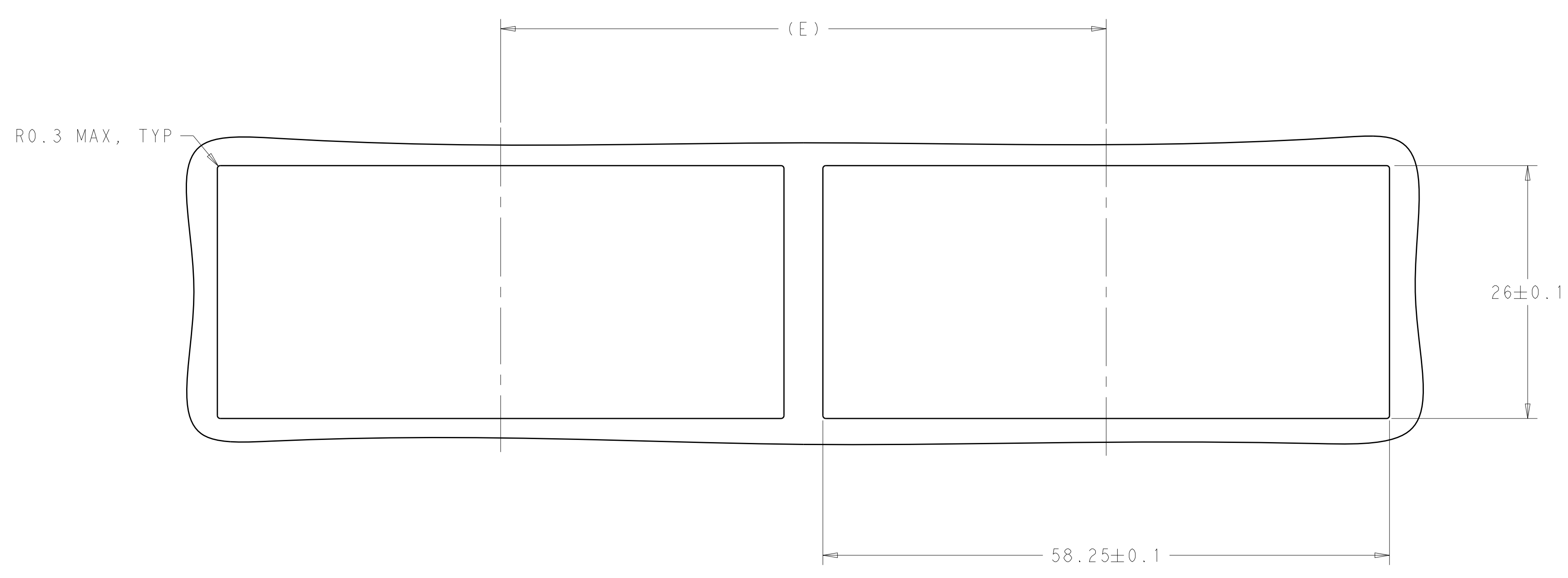
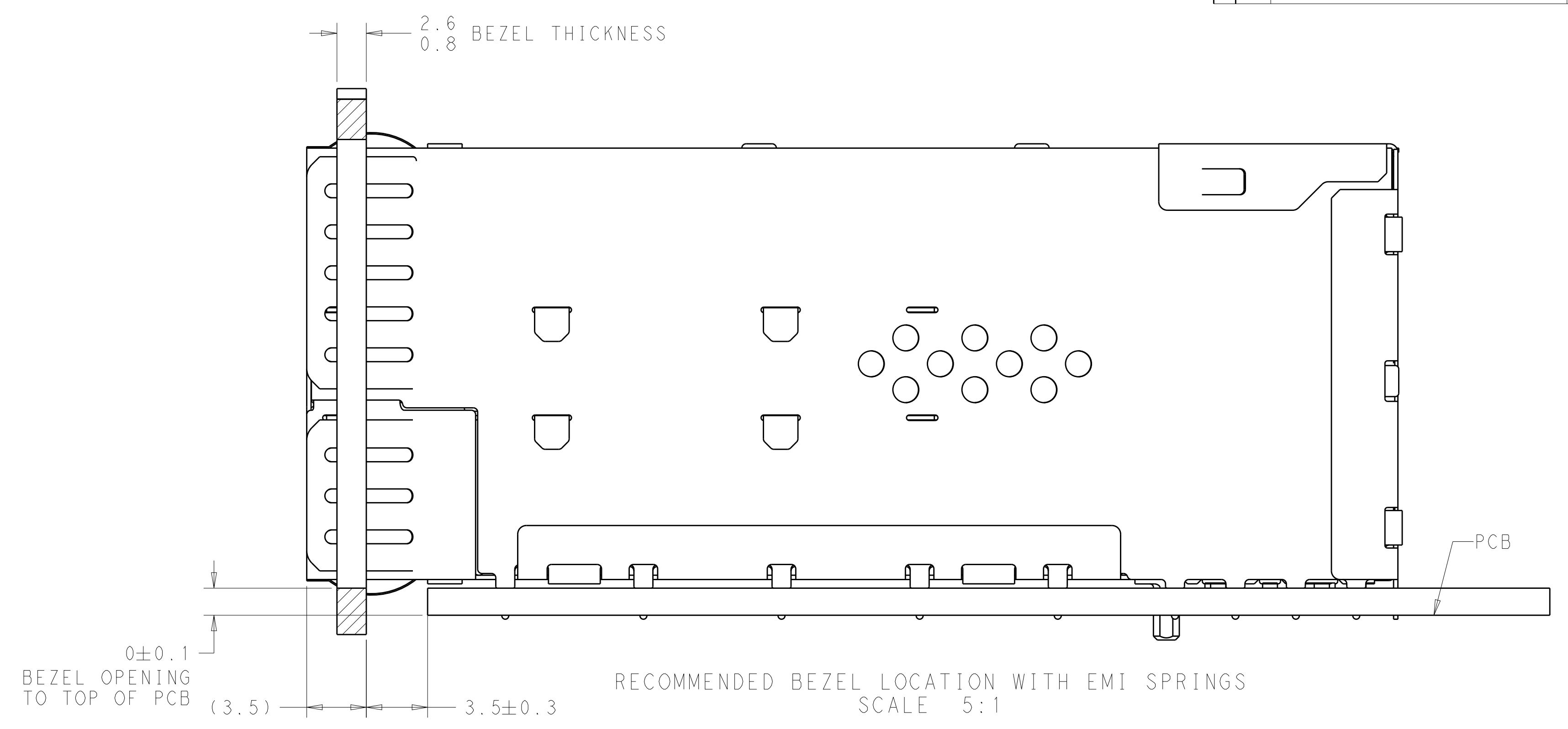
T2○ T5○ T8○  
 T1○ T4○ T7○ T10○  
 T3○ T6○ T9○

L9○ L6○ L3○  
 L10○ L7○ L4○ L1○  
 L8○ L5○ L2○

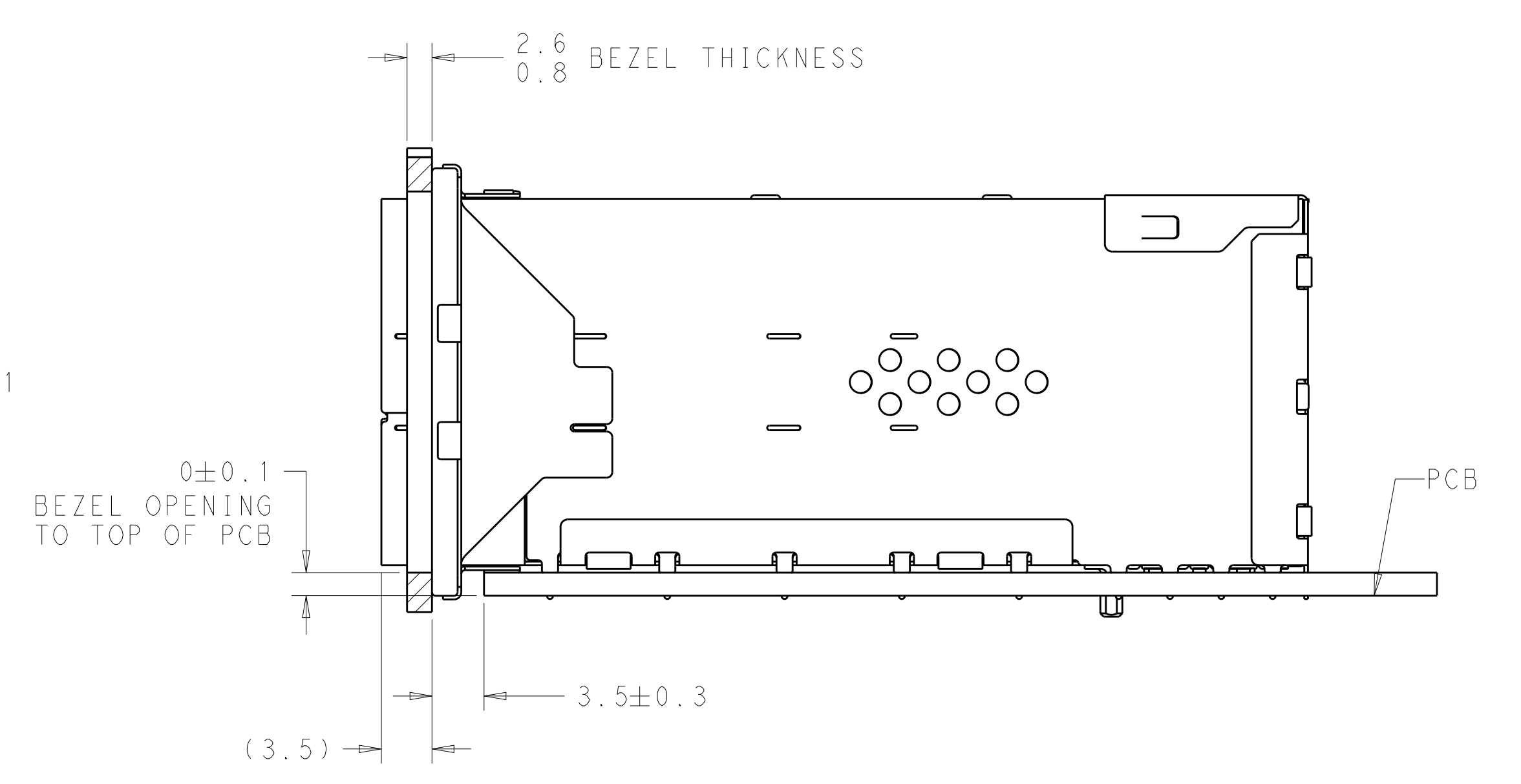
L12○ L15○ L18○  
 L11○ L14○ L17○ L20○  
 L13○ L16○ L19○

PIN MAP LEGEND	
PIN NUMBER	FUNCTION
L1/T1	VEET
L2/T2	TX-FAULT
L3/T3	TX-DISABLE
L4/T4	SDA
L5/T5	SCL
L6/T6	MOD_ABS
L7/T7	RSO
L8/T8	RX_LOS
L9/T9	RS1
L10/T10	VEER
L11/T11	VEER
L12/T12	RD-
L13/T13	RD+
L14/T14	VEER
L15/T15	VCCR
L16/T16	VCCT
L17/T17	VEET
L18/T18	TD+
L19/T19	TD-
L20/T20	VEET

DETAIL F  
 PIN MAP  
 4 PLACES  
 SCALE 15:1



RECOMMENDED BEZEL CUT-OUT DETAIL  
 SCALE 3:1



THIS DRAWING IS A CONTROLLED DOCUMENT.		OWN J. WANG 17JUL2018	TE Connectivity
DIMENSIONS: mm		CHK S. HAN 17JUL2018	
TOLERANCES UNLESS OTHERWISE SPECIFIED:		APPV S. HAN 17JUL2018	NAME
0 PLC	±0.25	PRODUCT SPEC	RECEPTACLE ASSEMBLY, 2X4, STACKED, SFP56
1 PLC	±0.25	APPLICATION SPEC	
2 PLC	±0.25	SIZE	A1
3 PLC	±0.25	CAGE CODE	00779
4 PLC	±0.25	DRAWING NO	2339978
ANGLES	±45°	RESTRICTED TO	
MATERIAL	SEE NOTES	WEIGHT	
FINISH	SEE NOTES	CUSTOMER DRAWING	
		SCALE	4:1
		SHEET	7 OF 7
		REV	B

## X-ON Electronics

Largest Supplier of Electrical and Electronic Components

*Click to view similar products for [I/O Connectors](#) category:*

*Click to view products by [TE Connectivity](#) manufacturer:*

Other Similar products are found below :

[571763P](#) [58098-0628](#) [72.250.1628.2](#) [72.250.2428.2](#) [74720-0505](#) [76.350.0729.0](#) [76871-1403](#) [FCN-244F080-G/1](#) [FCN-260A9920](#) [PCR-E36PM](#) [PCS-XE26MA+](#) [G38A71314B](#) [1571250010](#) [157-22500-3](#) [MS3471L14-19P L/C](#) [172501-4002](#) [172501-6002](#) [FCN-260C008-A/L0](#) [FCN-260C024-AL0](#) [FCN-261Z008](#) [2000314-1](#) [200331-1](#) [PCR-E36FC+](#) [PCS-E28FS+](#) [PCS-XE26SLFD+](#) [PCS-XE26SLFDT+](#) [G730VID08BDC24](#) [U90B2054081210](#) [38113800006](#) [DP3AR020WQ1R200](#) [Z4.102.0680.0](#) [500-1040](#) [500-1052](#) [500-1054](#) [ZP-4008-66L](#) [0709821002](#) [DX40-20P\(55\)](#) [5554841-1](#) [MS3474W18-8P-LC\\*](#) [U90B3054061110](#) [U65-E04-4020](#) [ZPF000000000097891](#) [747360449](#) [10099439-003C-TRLF](#) [10137239-0021LF](#) [E9320-001-01](#) [10137239-0011LF](#) [70289-001LF](#) [70.060.1028.0](#) [109029-ZZ](#)