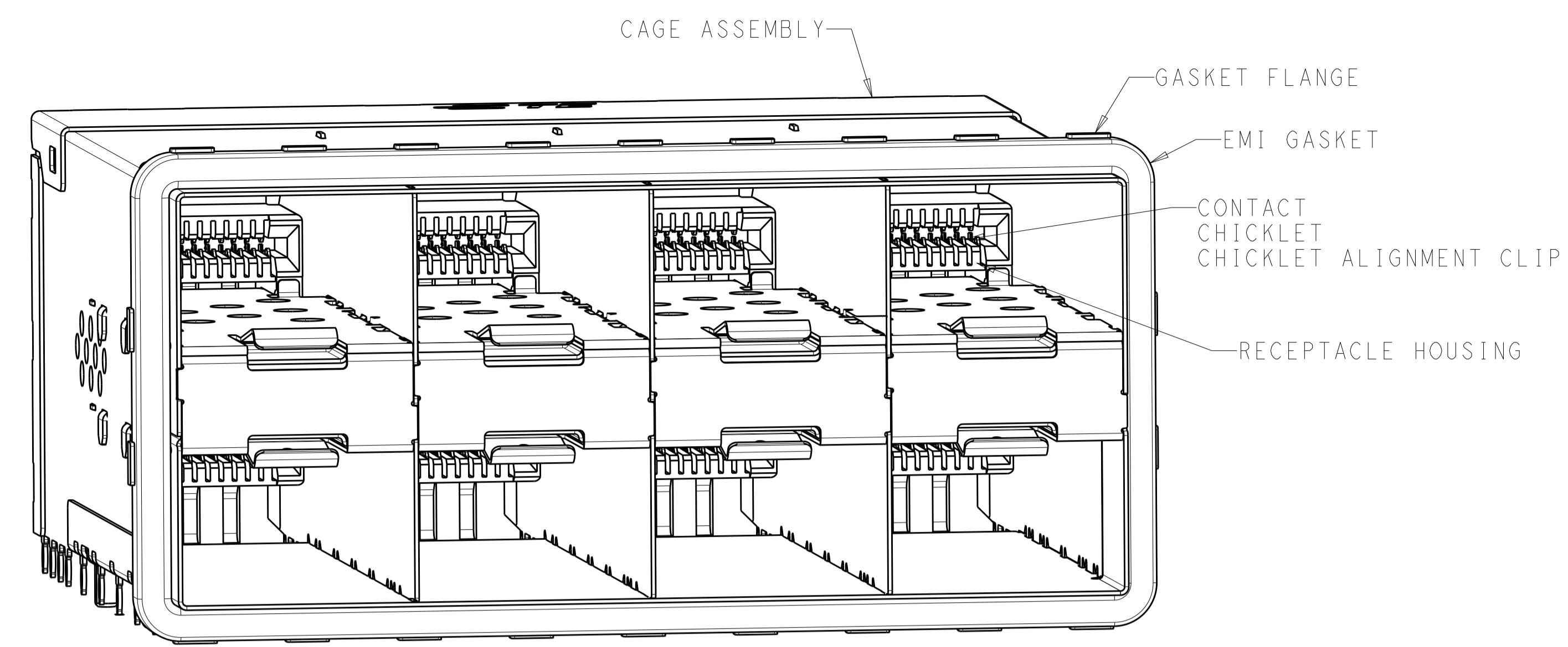
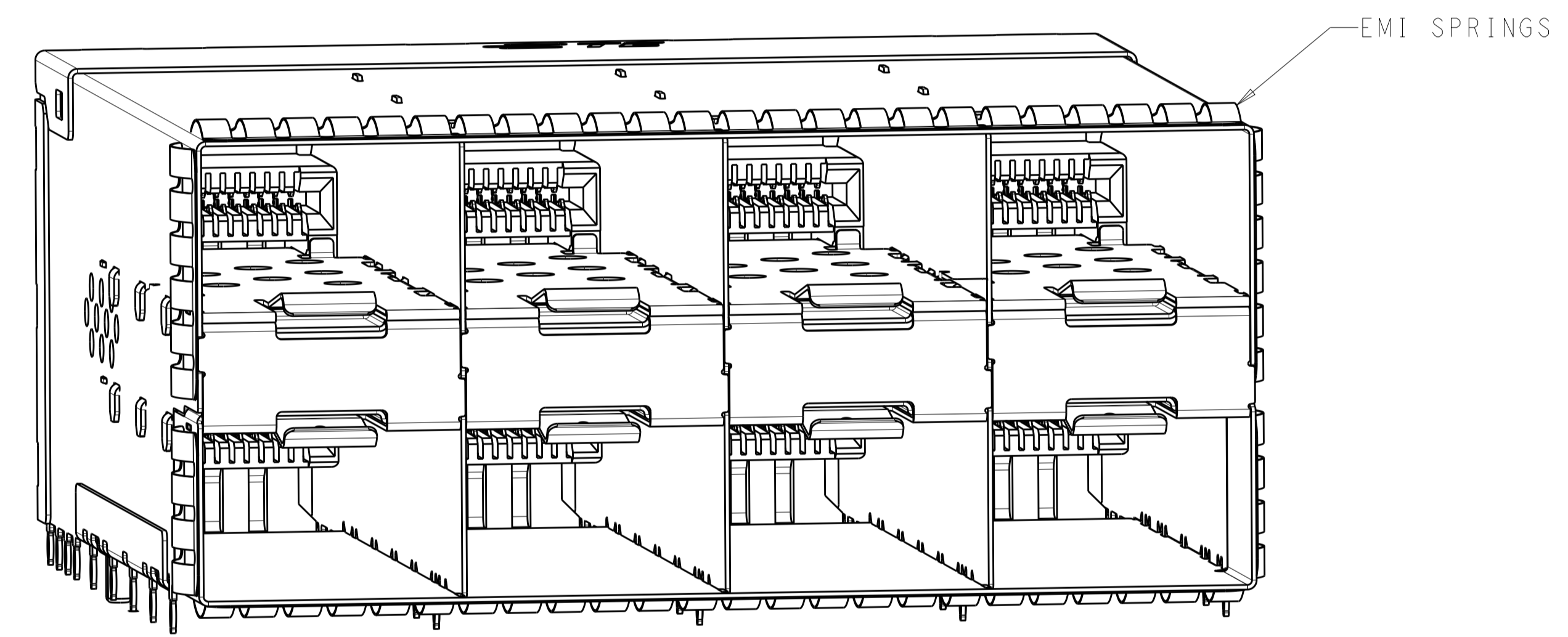


LOC		DIST		REVISIONS			
P	LTN	DESCRIPTION	DATE	DMN	APVD		
A		PRODUCTION RELEASE	05JUN2018	JW	SH		
B		REVISED PER ECO-19-014631	24SEP2019	JY	SH		

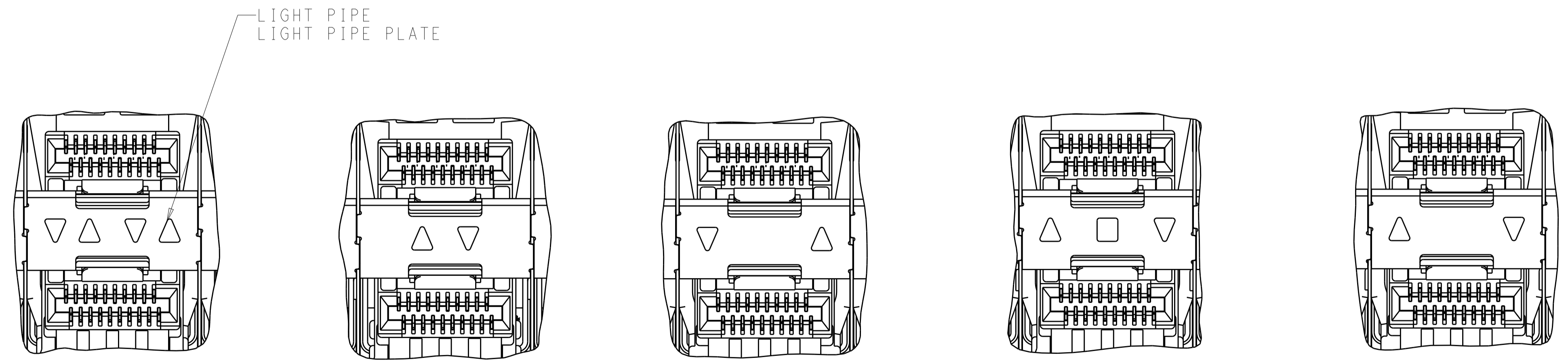


2339978-1
SCALE 4:1



2339978-5
SCALE 4:1

- MATERIALS:
 CAGE ASSEMBLY - NICKEL-SILVER ALLOY PER ASTM B 122
 CONNECTOR HOUSING - LCP, BLACK, UL 94V-O RATED
 CHICKLET - LCP, BLACK, UL 94V-O RATED
 CHICKLET ALIGNMENT CLIP - LCP, BLACK, UL 94V-O RATED
 CONTACT - COPPER ALLOY
 EMI GASKET - ELASTOMERIC
 GASKET FLANGE - STAINLESS STEEL
 EMI SPRINGS - PHOSPHOR BRONZE PER ASTM B 103,
 0.8µm MIN TIN PER ASTM B 545
 LIGHT PIPE - POLYCARBONATE
 INSULATOR TAPE: KAPTON
 LIGHT PIPE PLATE- STAINLESS STEEL
 - CONTACT FINISH:
 CONFORMS TO THE REQUIREMENTS OF PRODUCT SPECIFICATION 108-2481,
 BASED ON EIA/ECA-364-1000.01A, (CONTROLLED ENVIRONMENT
 APPLICATIONS) ON MATING INTERFACE, TIN ON NEEDLE EYE
 - PCB MINIMUM THICKNESS = 1.5mm
- △ FOR HOLE SIZE AND PLATINGS,
 SEE APPLICATION SPECIFICATION 114-13319
- △ LIGHT PIPE PAD LAYOUT IS FOR 0805 LOW PROFILE
 LED PACKAGE WITH A HEIGHT OF 0.8mm
- △ DIMENSIONS APPLY FOR EMI SPRINGS ONLY
- △ THE ENTIRE AREA OF THE CONNECTOR FOOTPRINT, INDICATED BY THE
 DASHED LINE, TO BE CONSIDERED THE KEEPOUT AREA FOR COMPONENTS
 AND SIGNAL TRACES, TOP SIDE ONLY, TOP SIDE TRACES ALLOWED
 WITHIN CONNECTOR HOLE PATTERN



INNER/OUTER LIGHT PIPES
2339978-2, 2339978-6
SCALE 4:1

INNER LIGHT PIPES
2339978-3, 2339978-7
SCALE 4:1

OUTER LIGHT PIPES
2339978-4, 2339978-8
SCALE 4:1

CENTER/REVERSED OUTER
1-2339978-7, 1-2339978-9
SCALE 4:1

REVERSED OUTER LIGHT PIPES
1-2339978-8, 2-2339978-0
SCALE 4:1

59.5	EMI SPRING INSULATOR TAPE AIRFLOW ENHANCE TYPE	NONE	3-2339978-4
59.5	EMI SPRING AIRFLOW ENHANCE TYPE	OUTER	3-2339978-3
59.5	EMI SPRING AIRFLOW ENHANCE TYPE	CENTER/REVERSED OUTER	3-2339978-2
59.5	EMI SPRING AIRFLOW ENHANCE TYPE	NONE	3-2339978-1
62.25	EMI GASKET AIRFLOW ENHANCE TYPE	NONE	3-2339978-0
59.5	EMI SPRINGS	REVERSED OUTER	2-2339978-0
		CENTER/REVERSED OUTER	1-2339978-9
62.25	EMI GASKET	REVERSED OUTER	1-2339978-8
		CENTER/REVERSED OUTER	1-2339978-7
59.5	EMI SPRINGS	OUTER	2339978-8
		INNER	2339978-7
		INNER/OUTER	2339978-6
62.25	EMI GASKET	NONE	2339978-5
		OUTER	2339978-4
		INNER	2339978-3
		INNER/OUTER	2339978-2
		NONE	2339978-1
(E)	CAGE TYPE	LIGHT PIPE CONFIGURATION	PART NUMBER

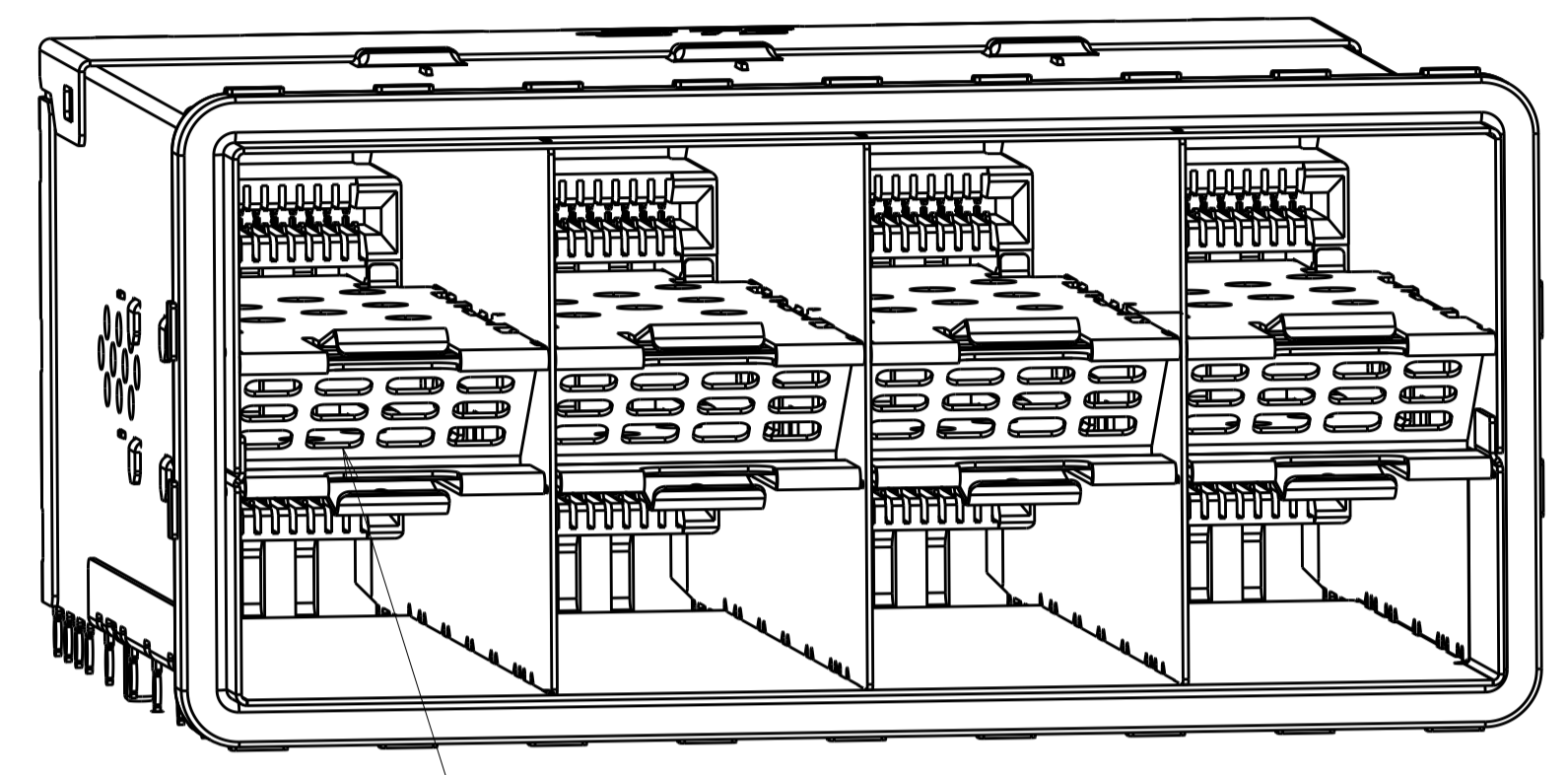
THIS DRAWING IS A CONTROLLED DOCUMENT.

DIMENSIONS:	TOLERANCES UNLESS OTHERWISE SPECIFIED:	DMN J. WANG 17JUL2018	TE Connectivity NAME RECEPTACLE ASSEMBLY, 2X4, STACKED, SFP56 PRODUCT SPEC 108-2481 APPLICATION SPEC 114-13319 SIZE CAGE CODE DRAWING NO A100779C=2339978 RESTRICTED TO SCALE 4:1 SHEET 1 OF 7 REV B
mm	0 PLC ±0.25 1 PLC ±0.25 2 PLC ±0.25 3 PLC ±0.25 4 PLC ±0.25 ANGLES ±°	CHK S. HAN 17JUL2018	
		APVD S. HAN 17JUL2018	
MATERIAL SEE NOTES		FINISH SEE NOTES	

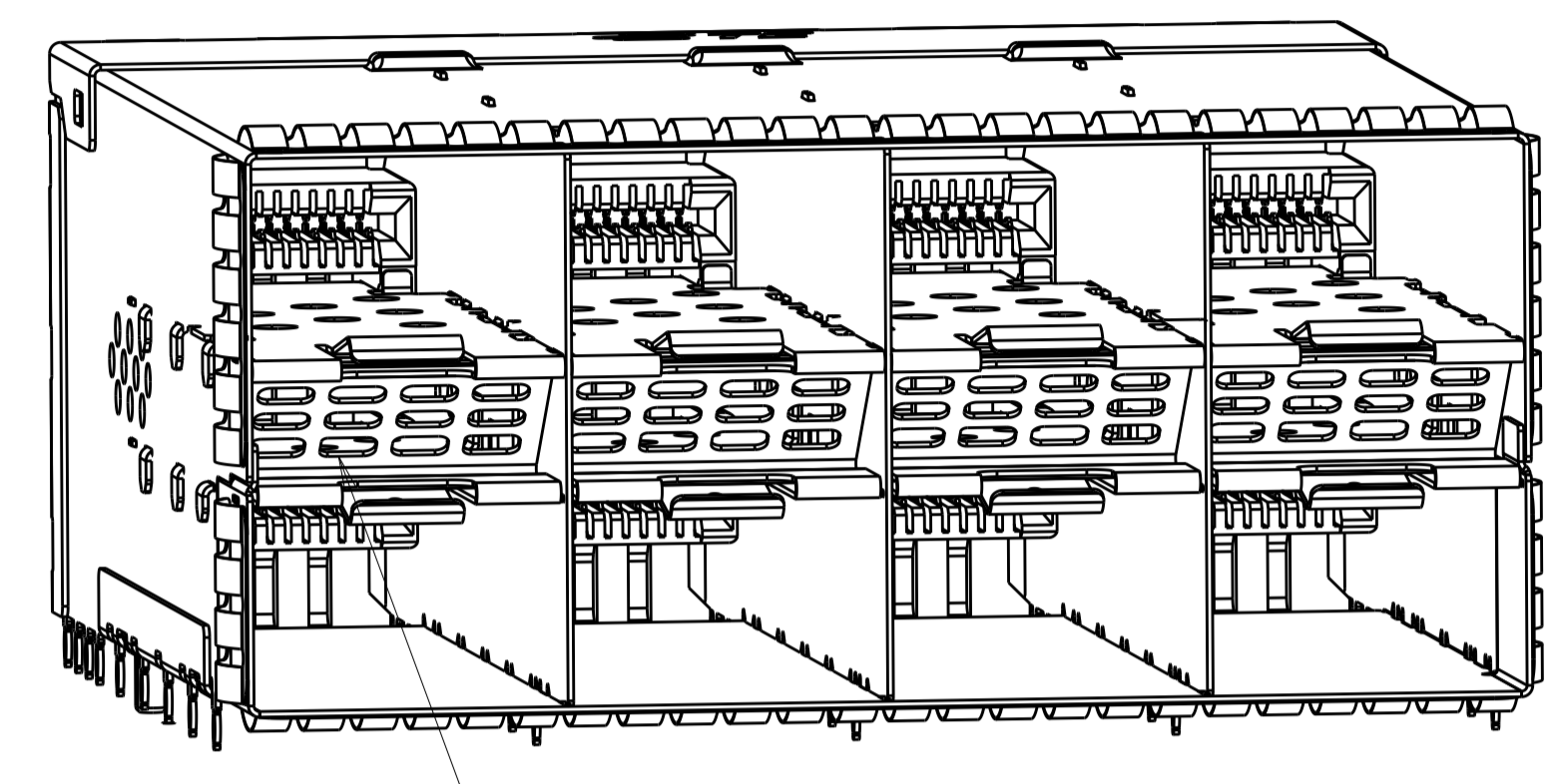
CUSTOMER DRAWING

LOC		DIST		REVISIONS			
GP	00	P	LTN	DESCRIPTION	DATE	OWN	APVD
		-		SEE SHEET 1			

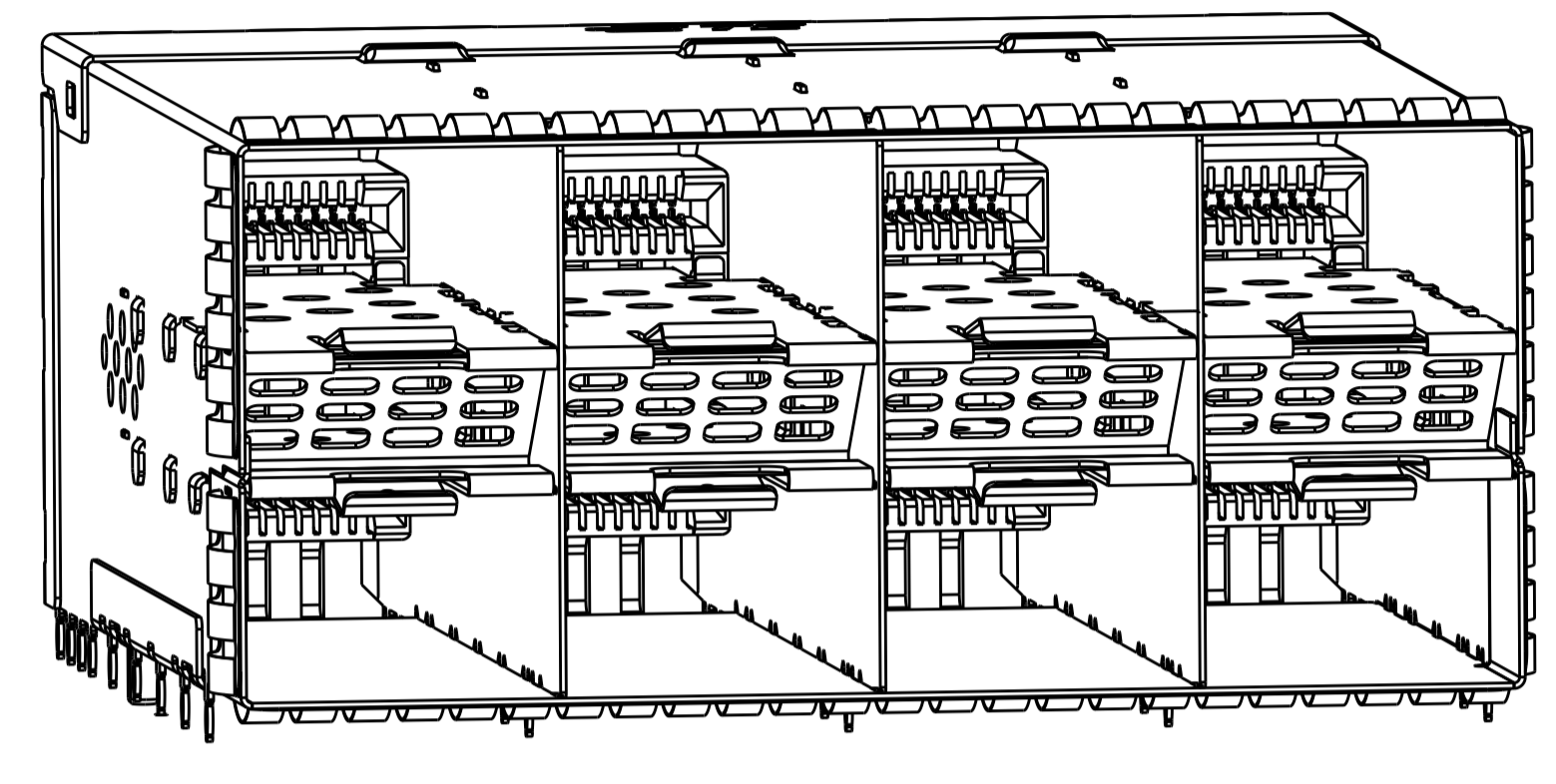
AIRFLOW ENHANCE W/O LP TYPE



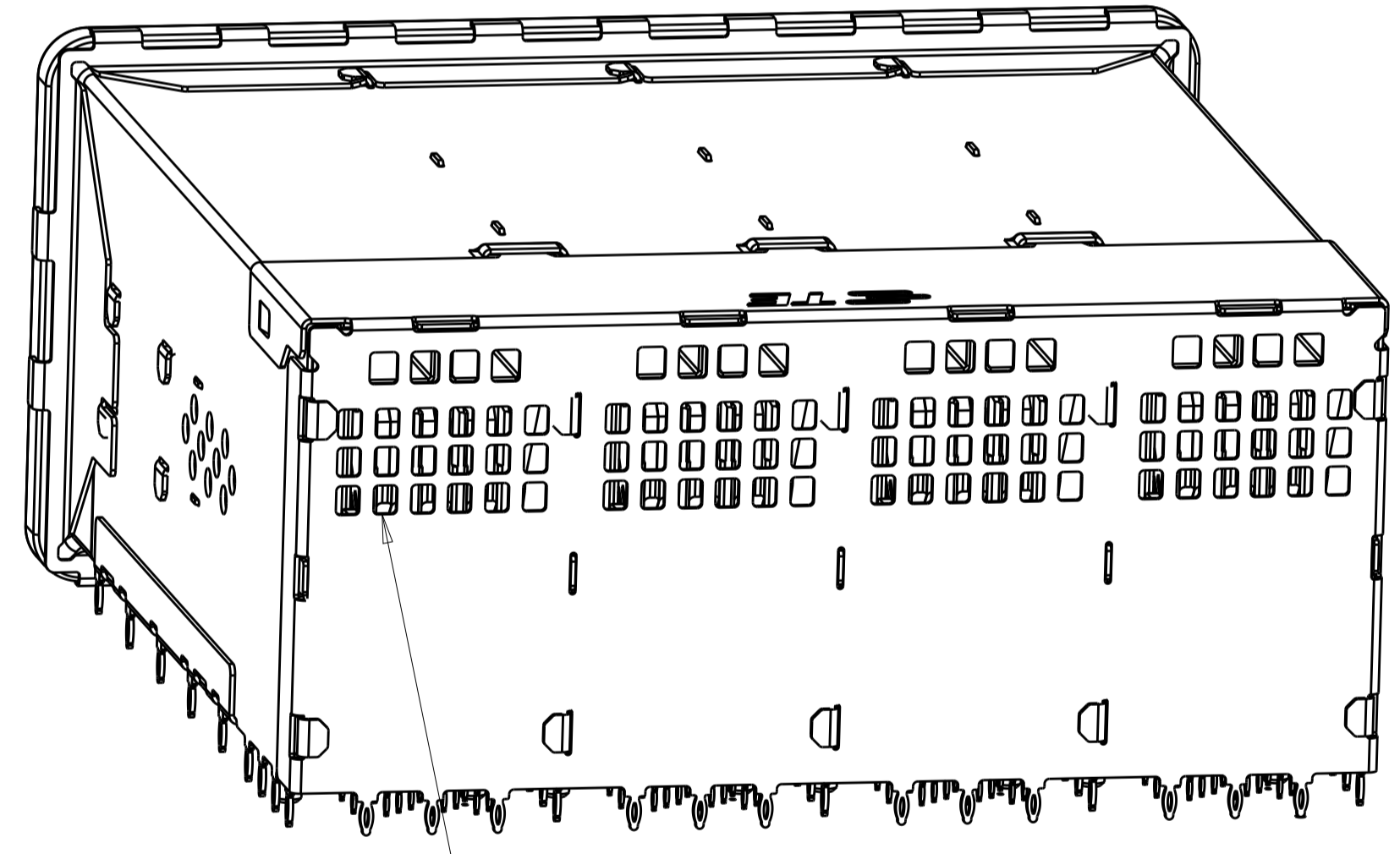
AIR VENTS



AIR VENTS

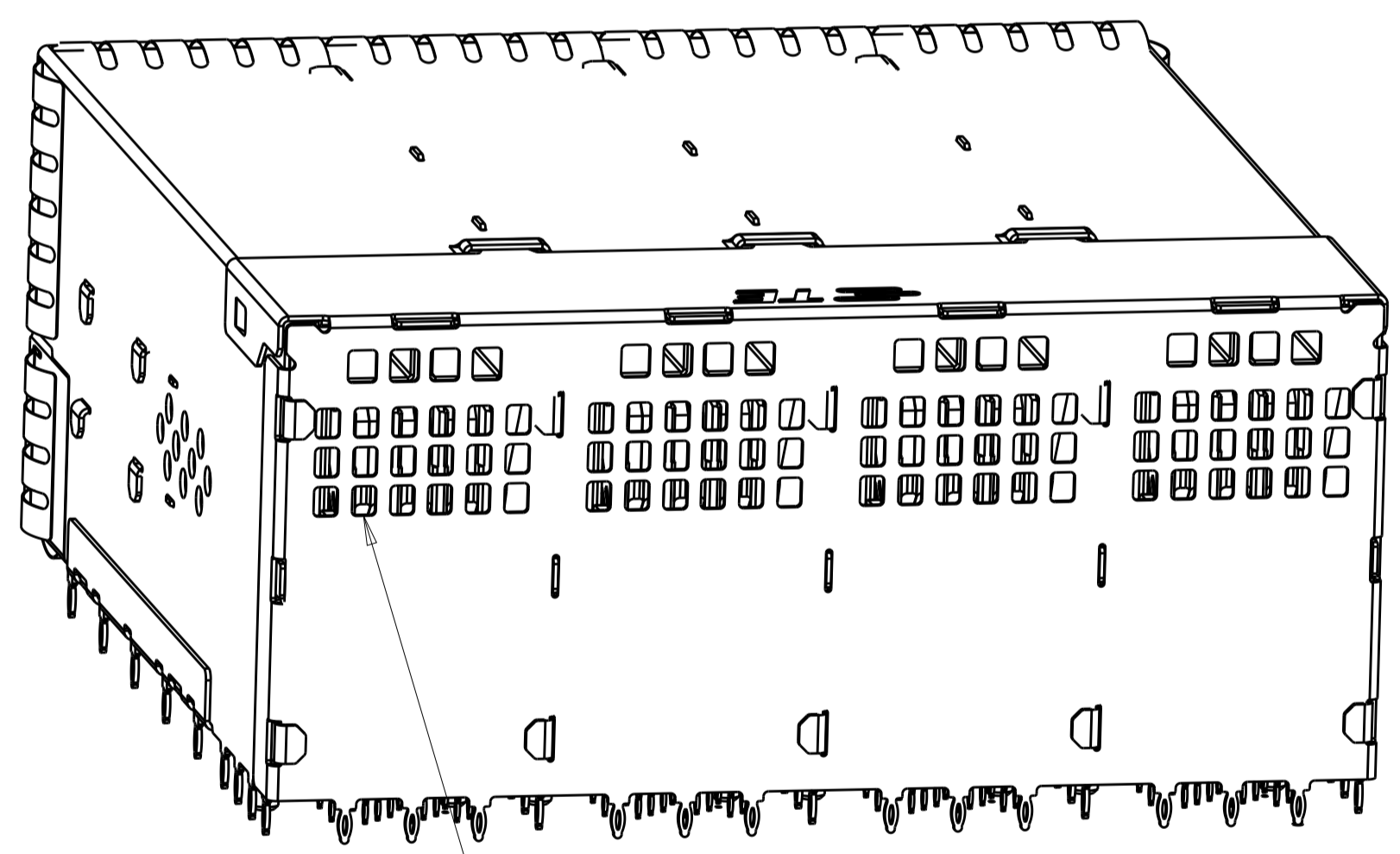


INSULATOR TAPE



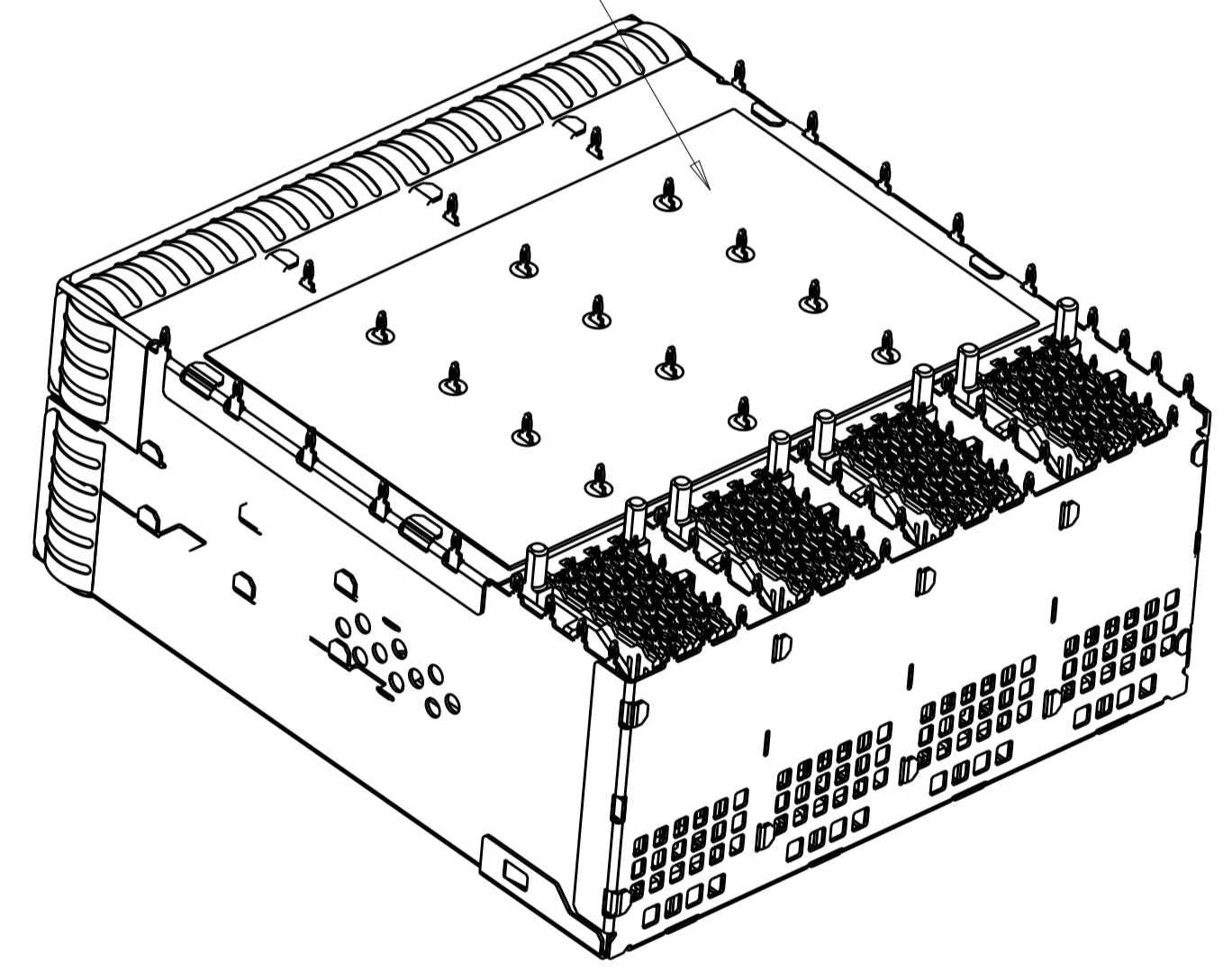
AIR VENTS

3-2339978-0
EMI GASKET TYPE



AIR VENTS

3-2339978-1
EMI SPRING TYPE



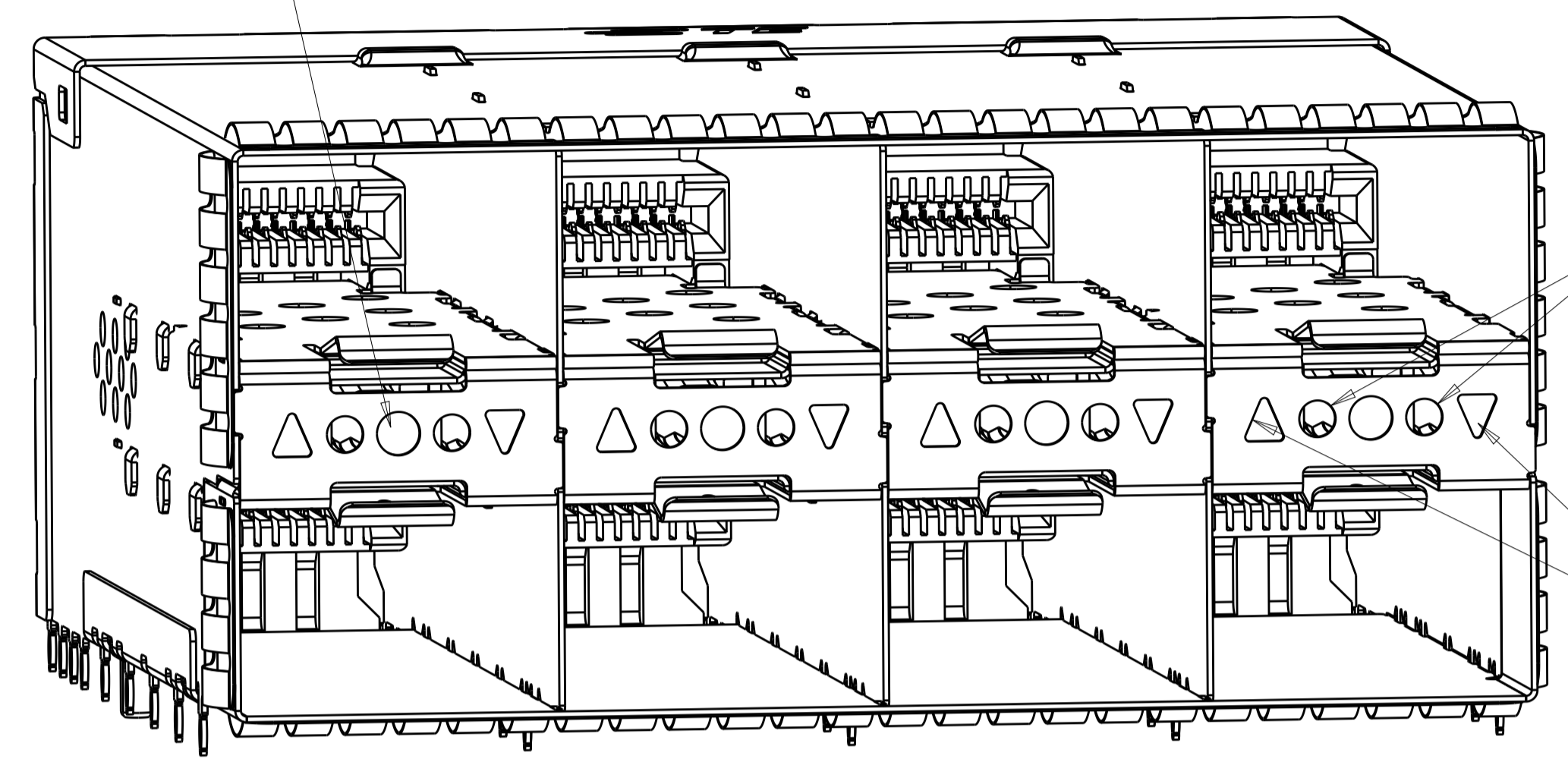
3-2339978-4
SCALE 3:1

THIS DRAWING IS A CONTROLLED DOCUMENT.		OWN J. WANG 17JUL2018	TE Connectivity
DIMENSIONS:		CHK S. HAN 17JUL2018	
mm	TOLERANCES UNLESS OTHERWISE SPECIFIED:	APVD S. HAN 17JUL2018	NAME RECEPTACLE ASSEMBLY, 2X4, STACKED, SFP56
	0 PLC ±0.25 1 PLC ±0.25 2 PLC ±0.25 3 PLC ±0.25 4 PLC ±0.25 ANGLES ±°	PRODUCT SPEC 108-2481	SIZE A100779
MATERIAL SEE NOTES	FINISH SEE NOTES	APPLICATION SPEC 114-13319	RESTRICTED TO
CUSTOMER DRAWING		WEIGHT	SCALE 4:1 SHEET 2 OF 7 REV B

LOC	DIST	REVISIONS					
GP	00	P	LYR	DESCRIPTION	DATE	OWN	APVD
		-		SEE SHEET 1			

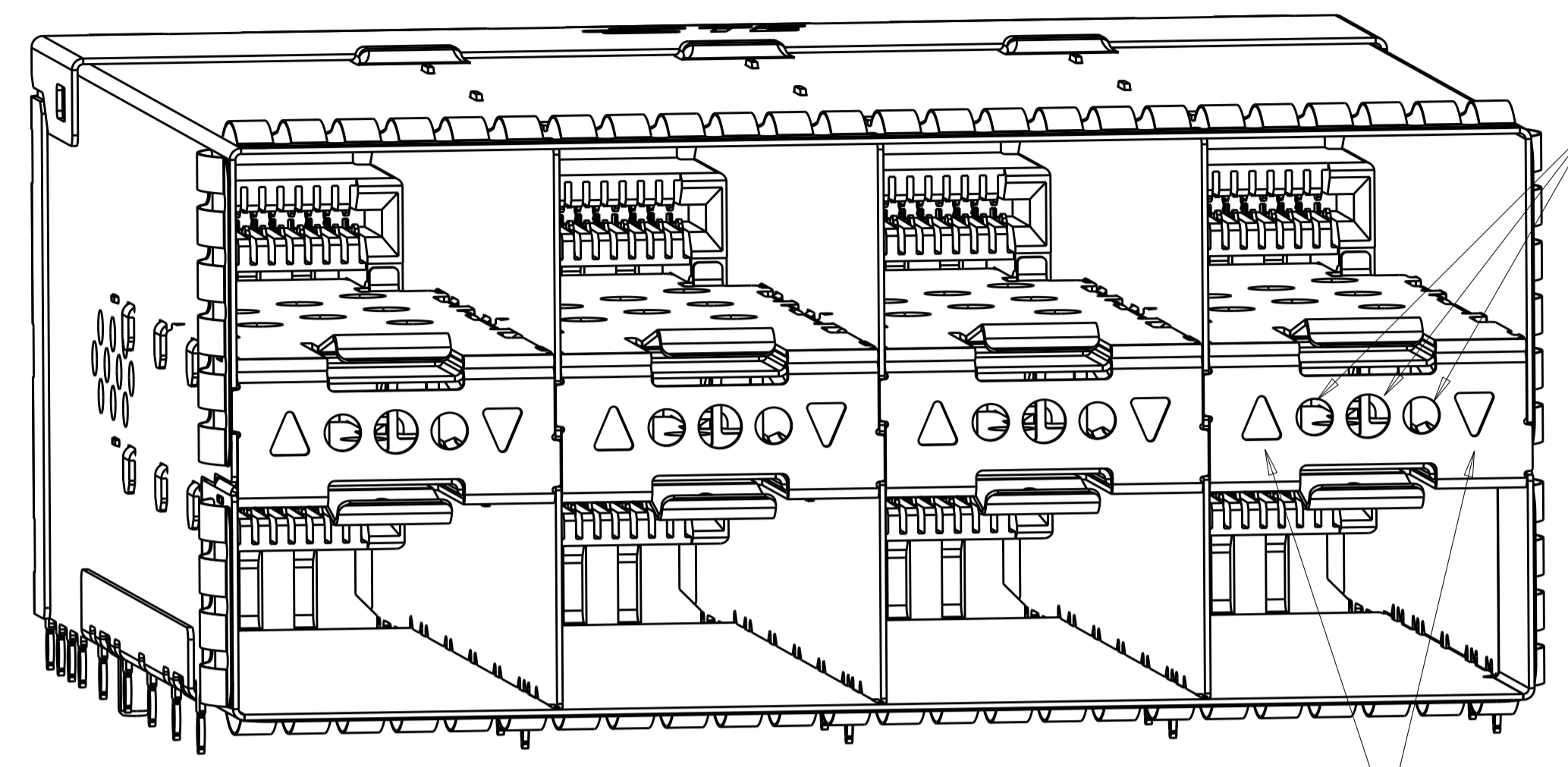
AIRFLOW ENHANCE W/ LP TYPE

INNER LIGHT PIPE



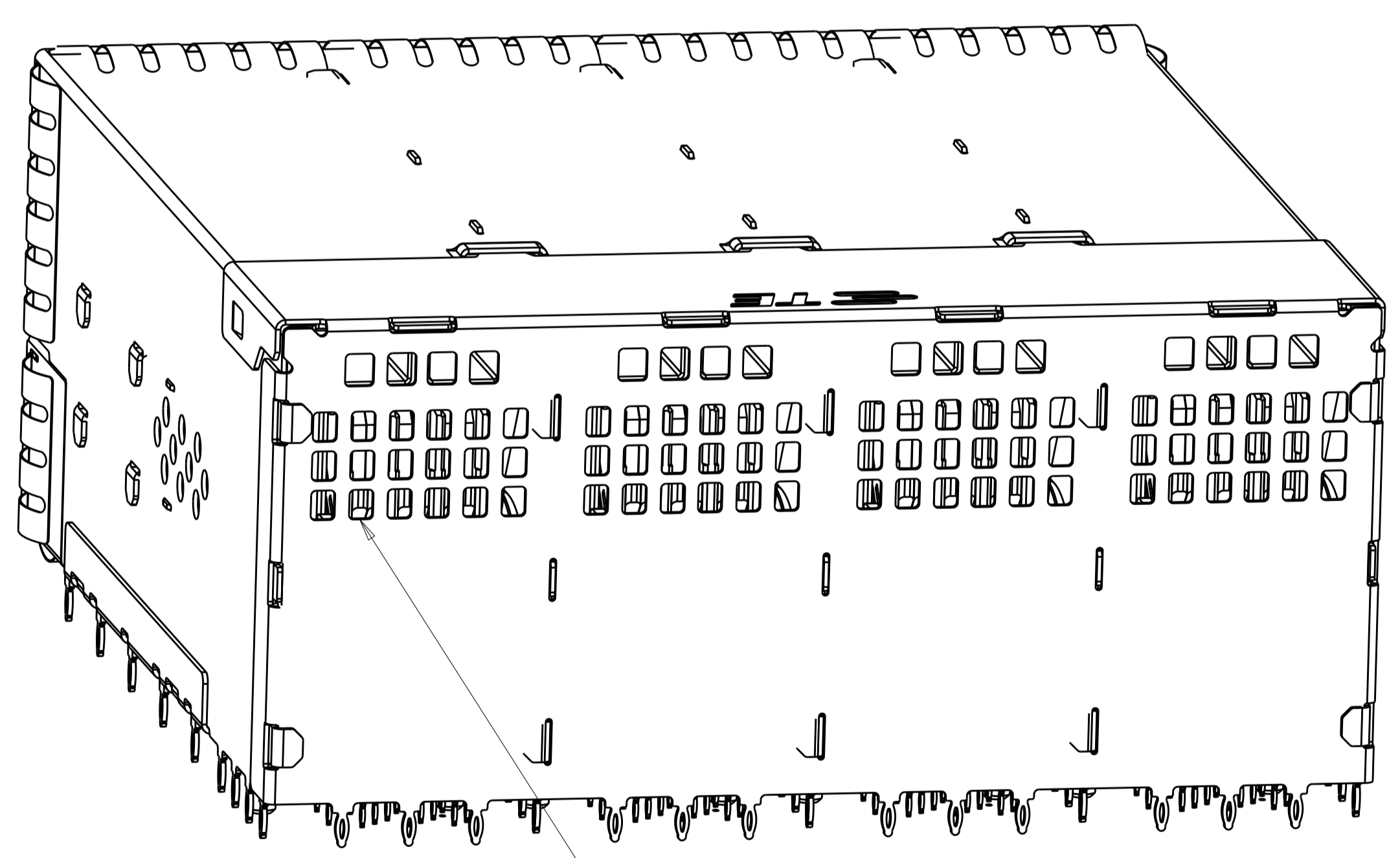
AIR VENTS

OUTER LIGHT PIPE



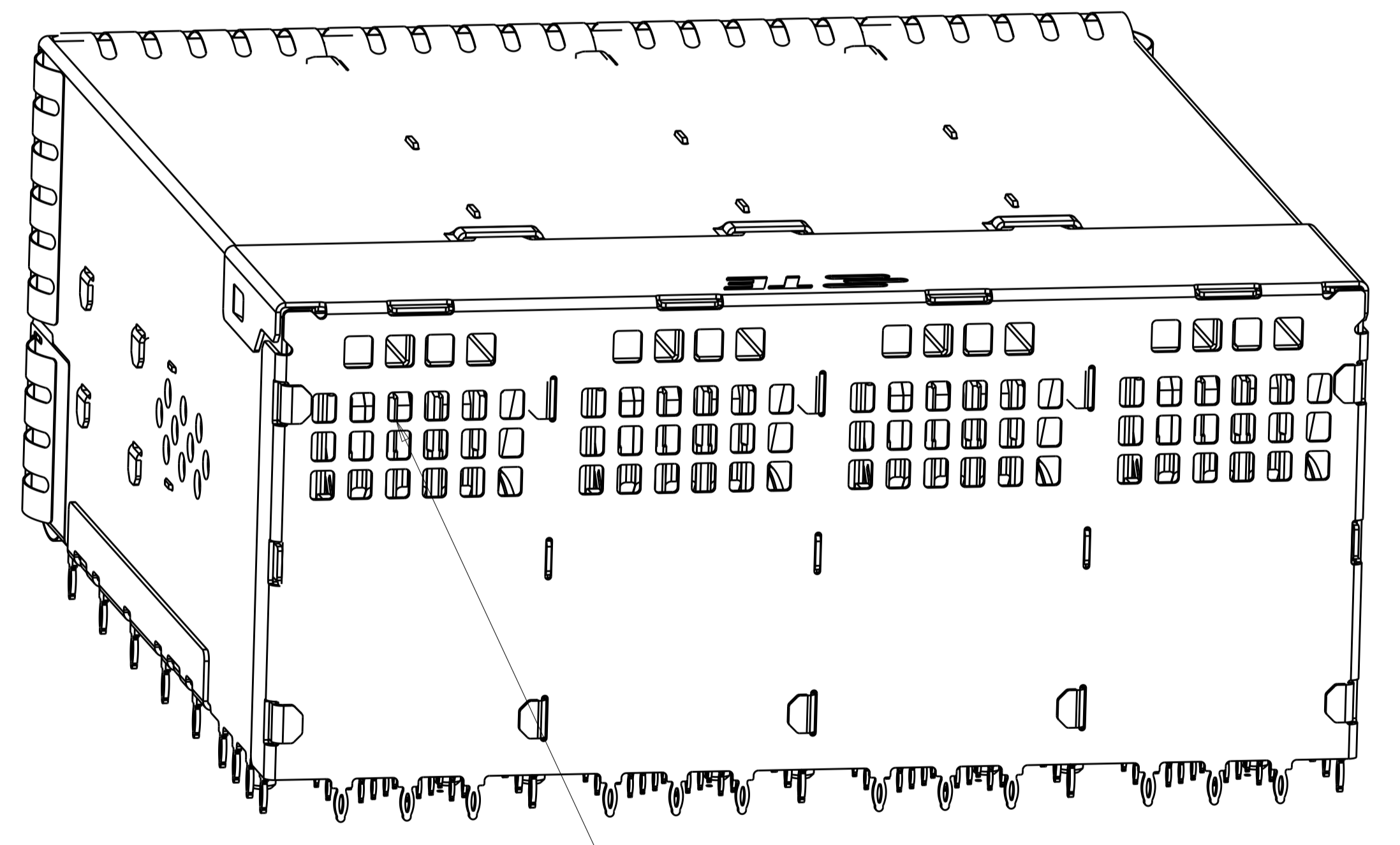
AIR VENTS

OUTER LIGHT PIPE



AIR VENTS

3-2339978-2
EMI SPRING W/ LP TYPE

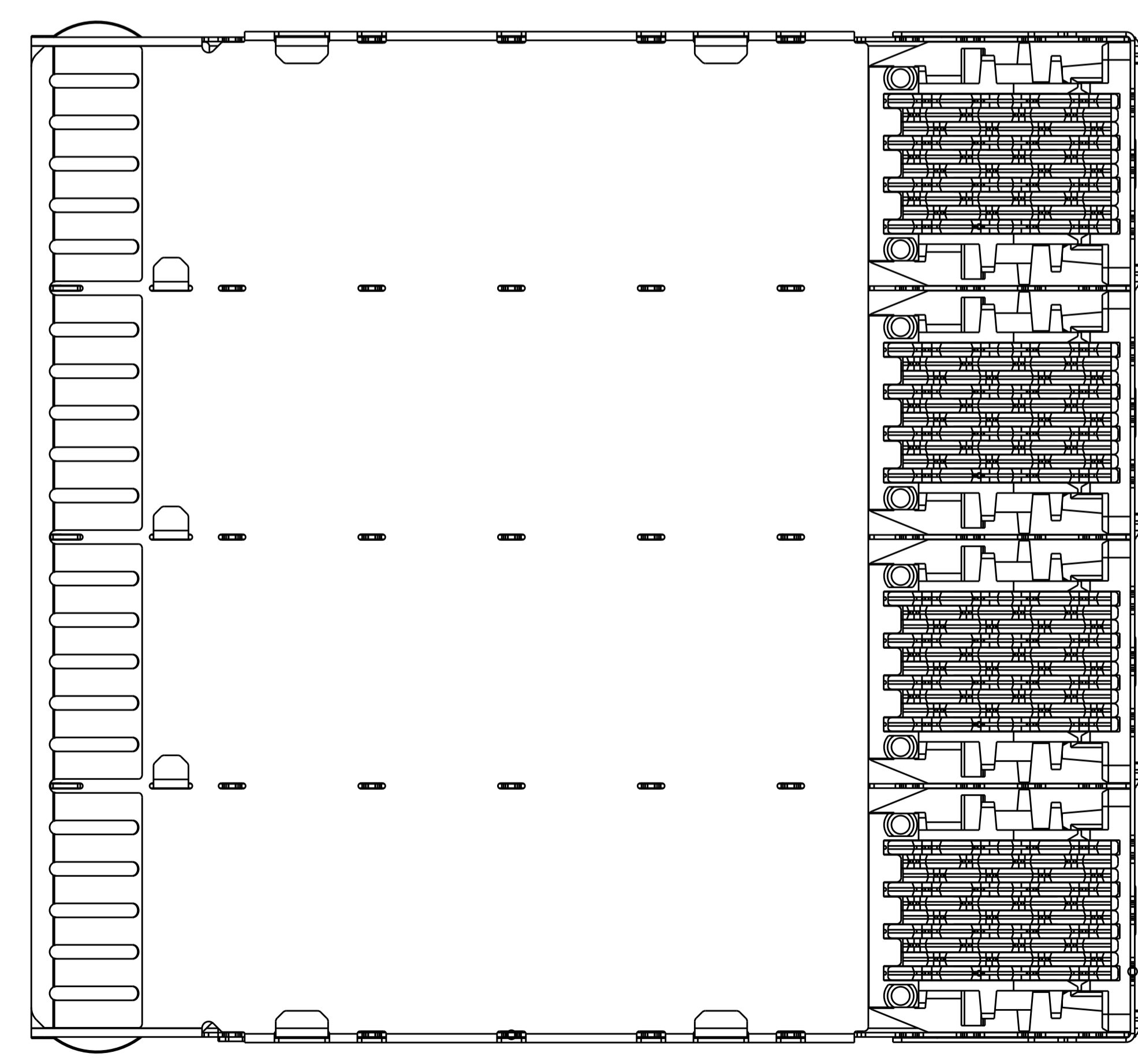
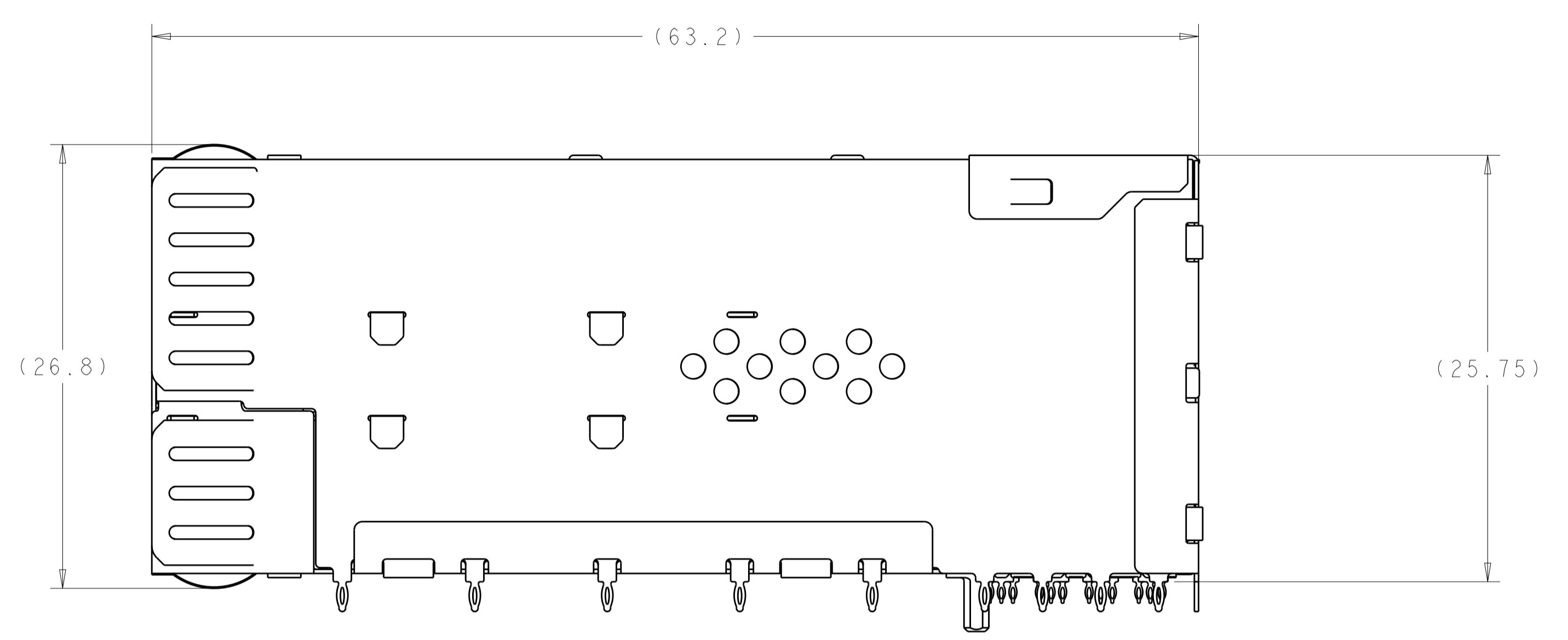
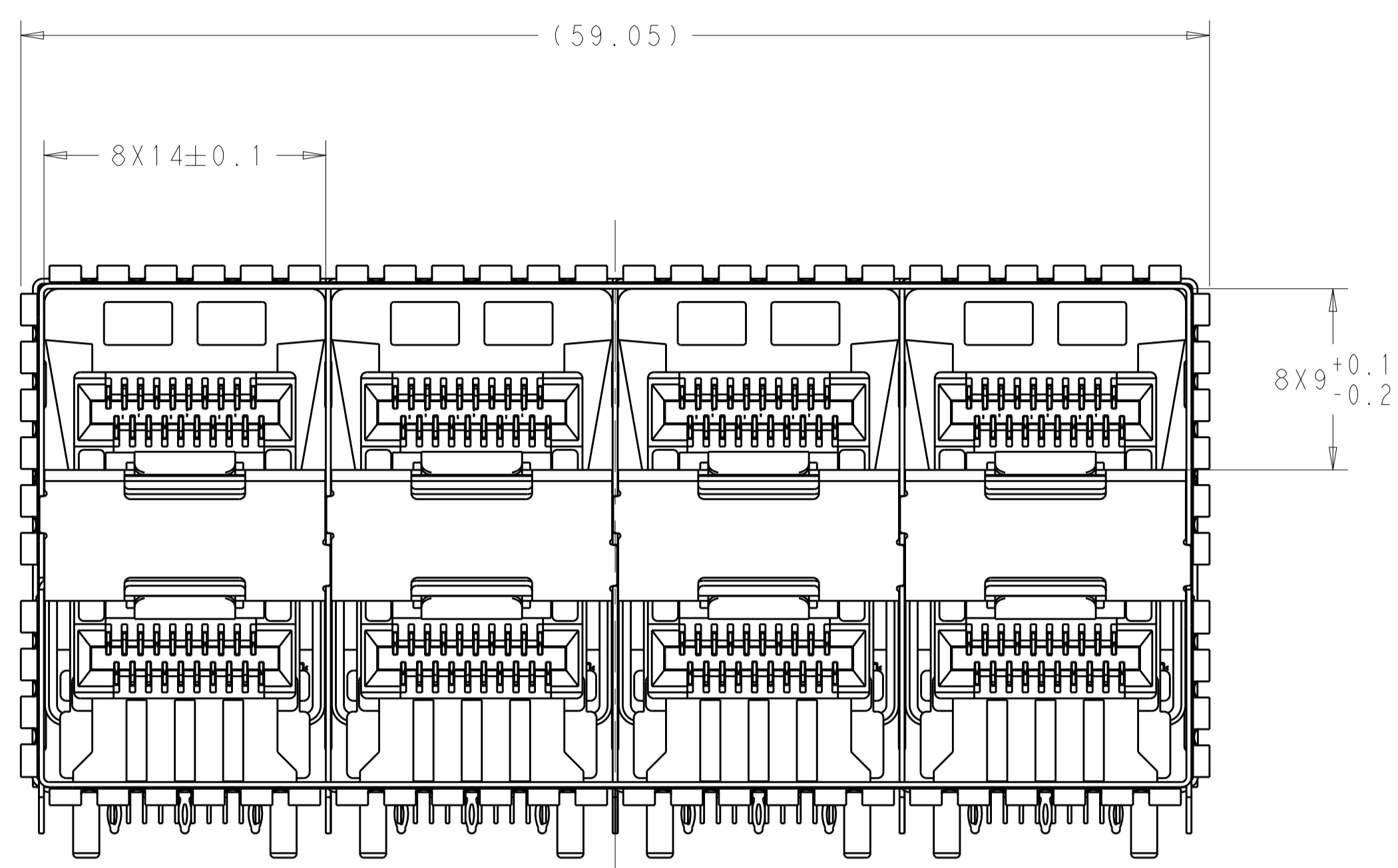


AIR VENTS

3-2339978-3
EMI SPRING W/ OUTER LP TYPE

THIS DRAWING IS A CONTROLLED DOCUMENT.		OWN: J. WANG 17JUL2018	
DIMENSIONS: mm		CHK: S. HAN 17JUL2018	
TOLERANCES UNLESS OTHERWISE SPECIFIED:		APVD: S. HAN 17JUL2018	NAME: RECEPTACLE ASSEMBLY, 2X4, STACKED, SFP56
0 PLC ±0.25	1 PLC ±0.25	PRODUCT SPEC: 108-2481	SIZE: A1
2 PLC ±0.25	3 PLC ±0.25	APPLICATION SPEC: 114-13319	CAGE CODE: 2339978
4 PLC ±0.25	ANGLES: ±0.5°	WEIGHT: -	RESTRICTED TO: -
MATERIAL: SEE NOTES	FINISH: SEE NOTES	CUSTOMER DRAWING	SCALE: 4:1 SHEET 3 OF 7 REV B

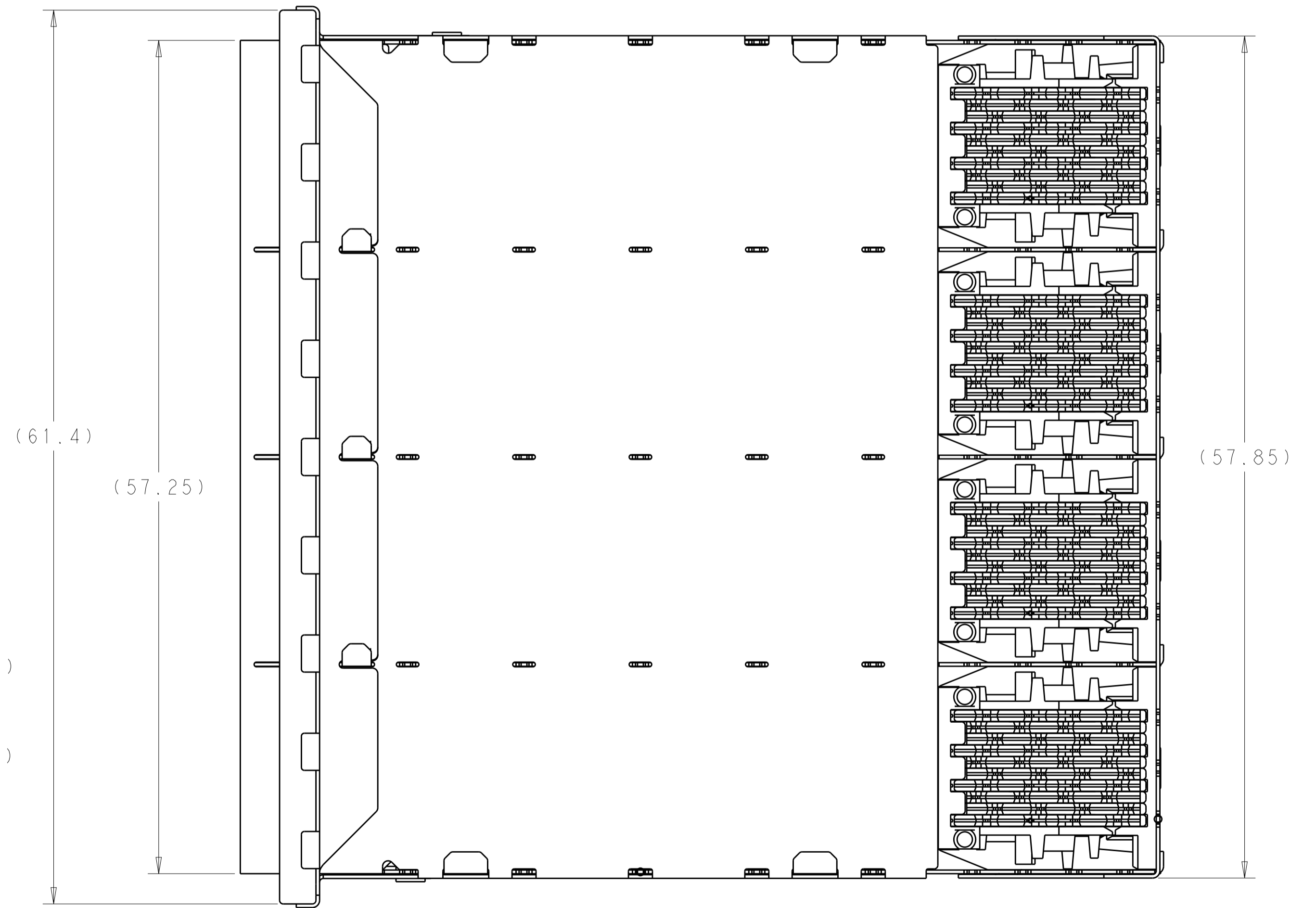
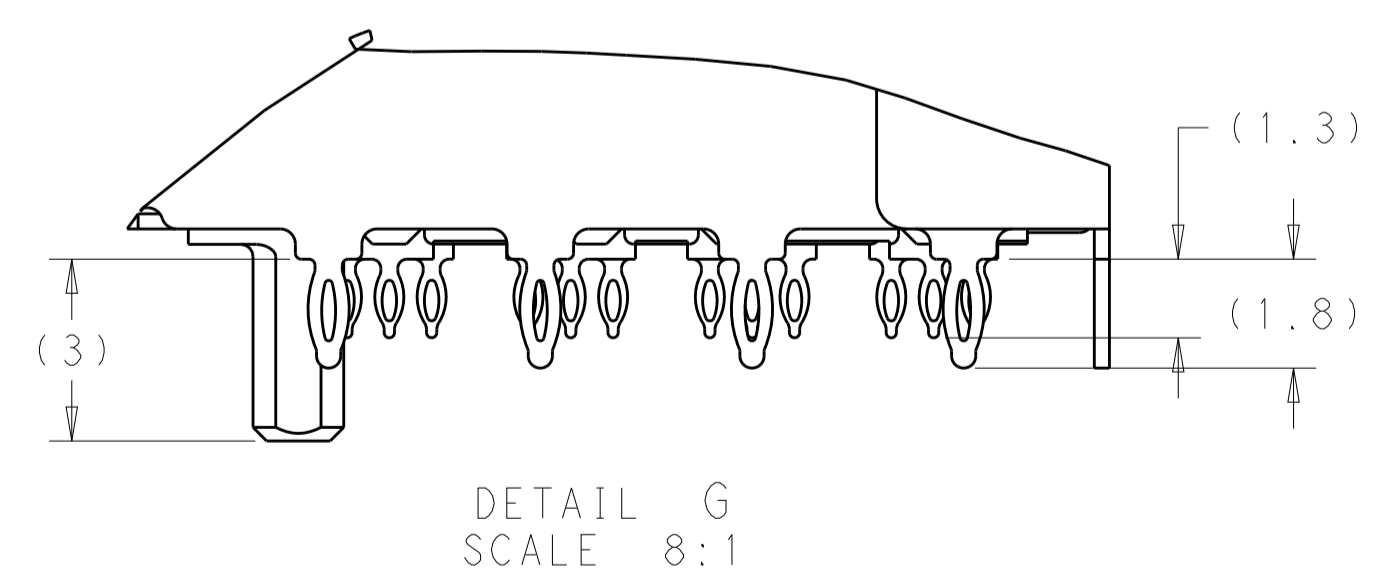
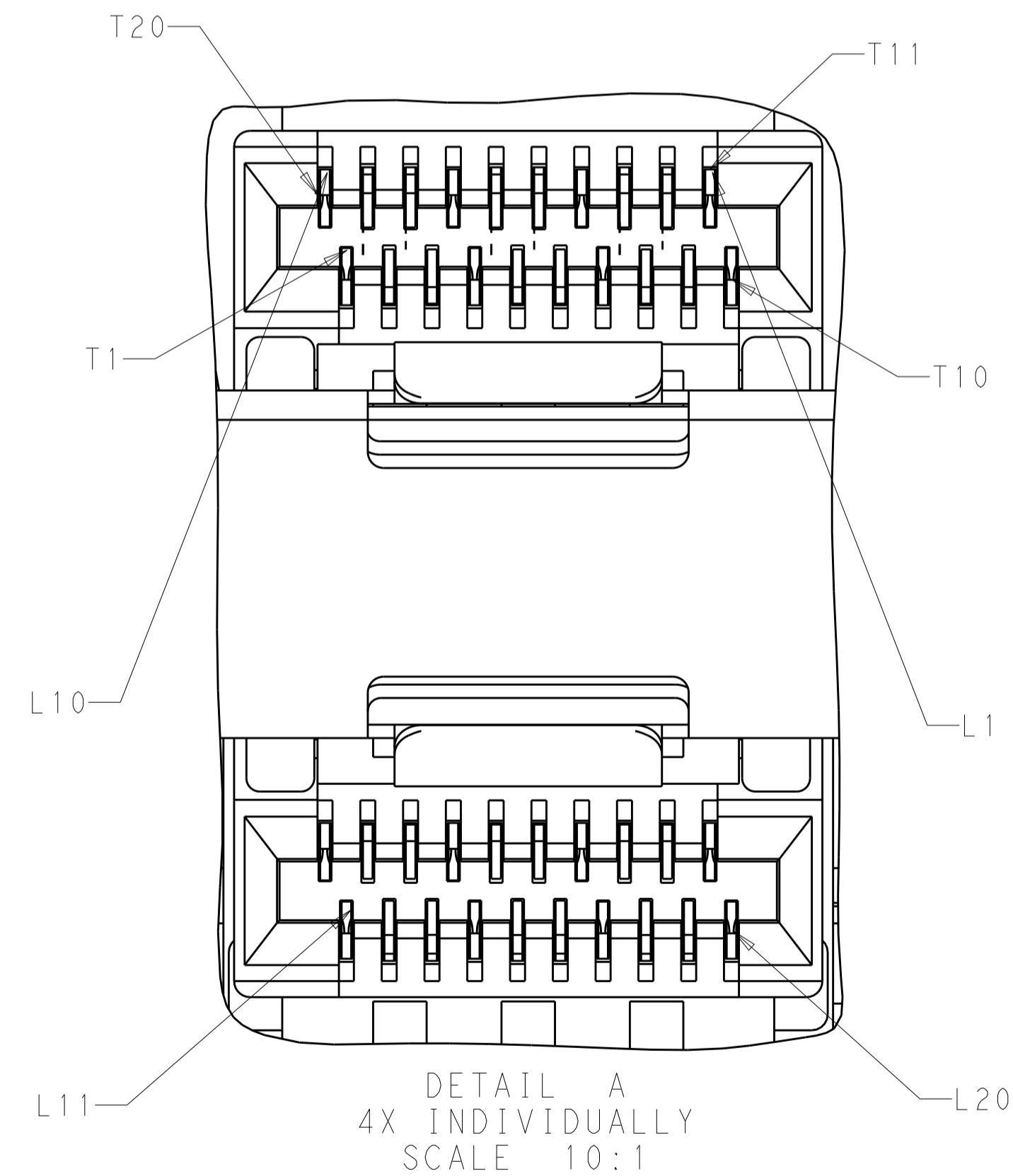
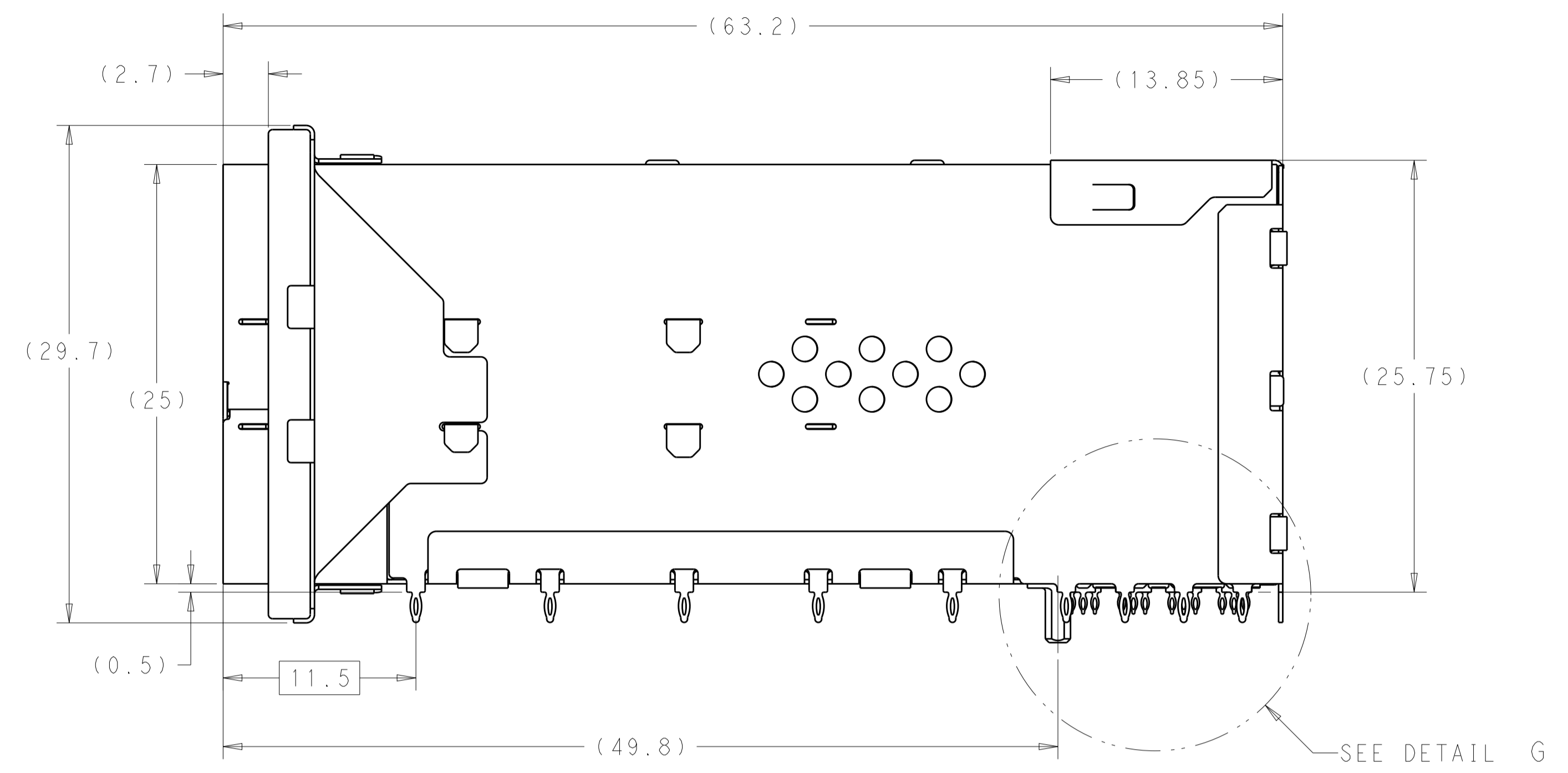
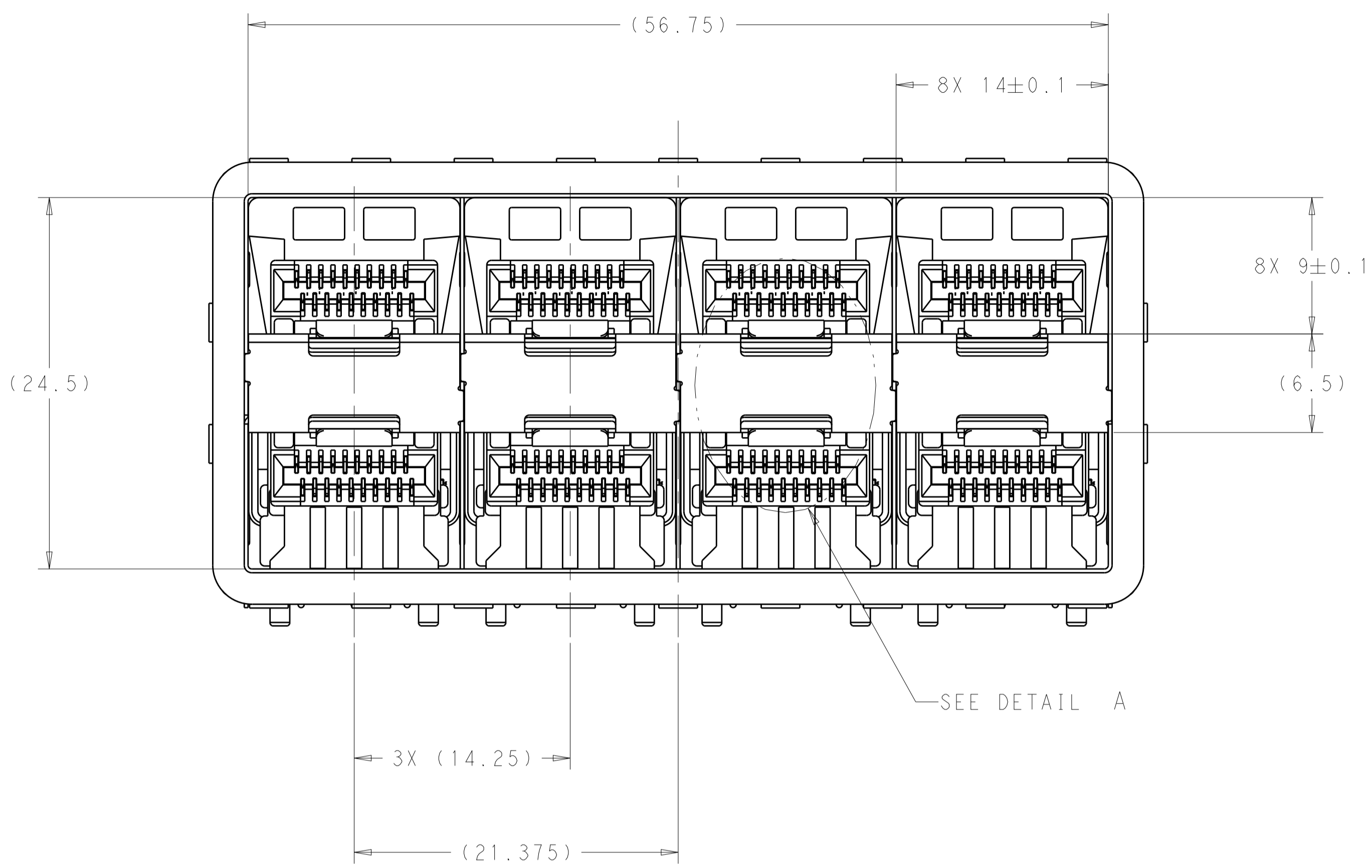
LOC		DIST		REVISIONS			
GP	00	REV	DATE	DESCRIPTION	DATE	DMN	APVD
-	-	-	-	SEE SHEET 1	-	-	-



EMI SPRINGS VERSIONS ONLY
 SCALE 4:1

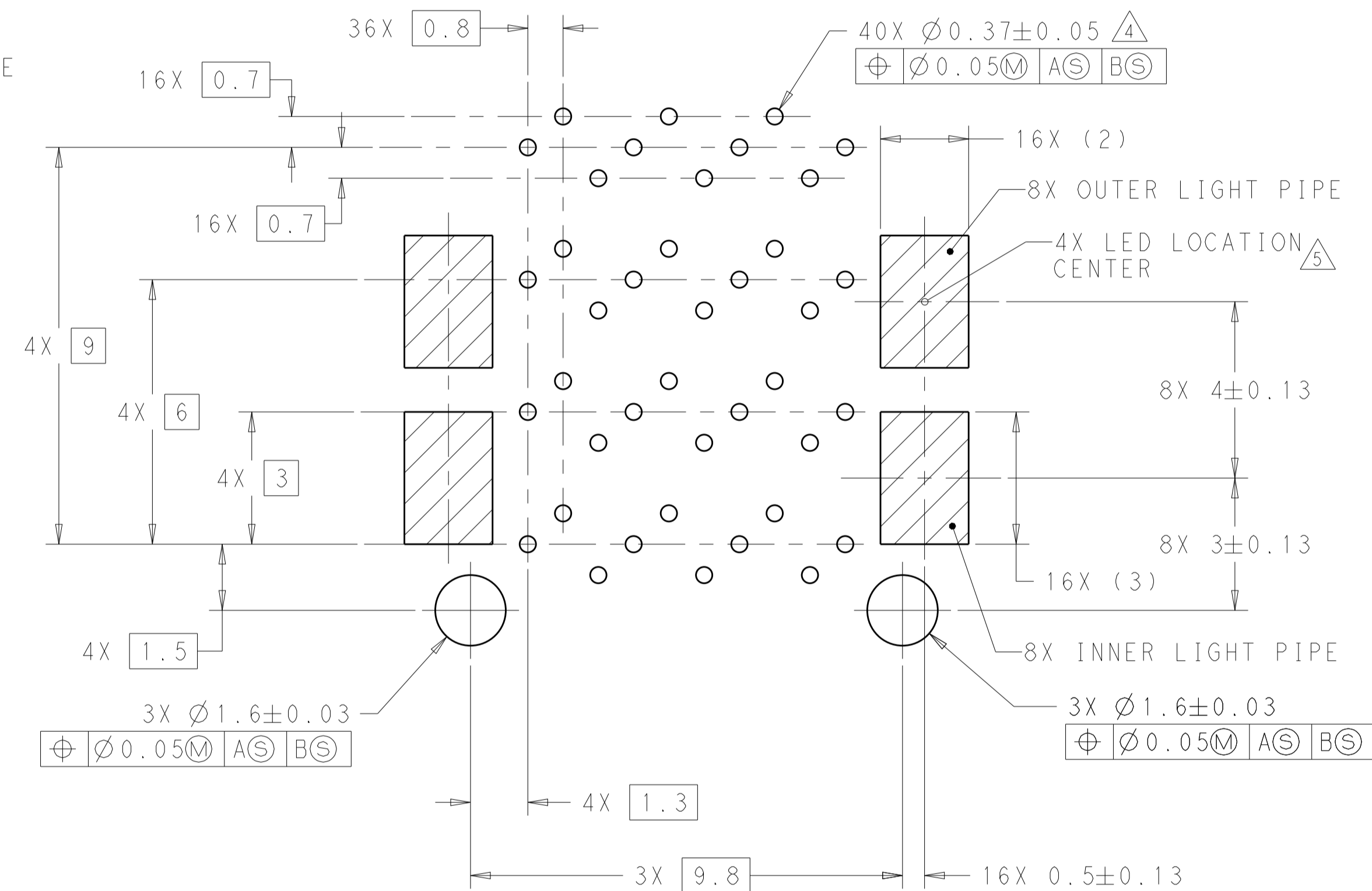
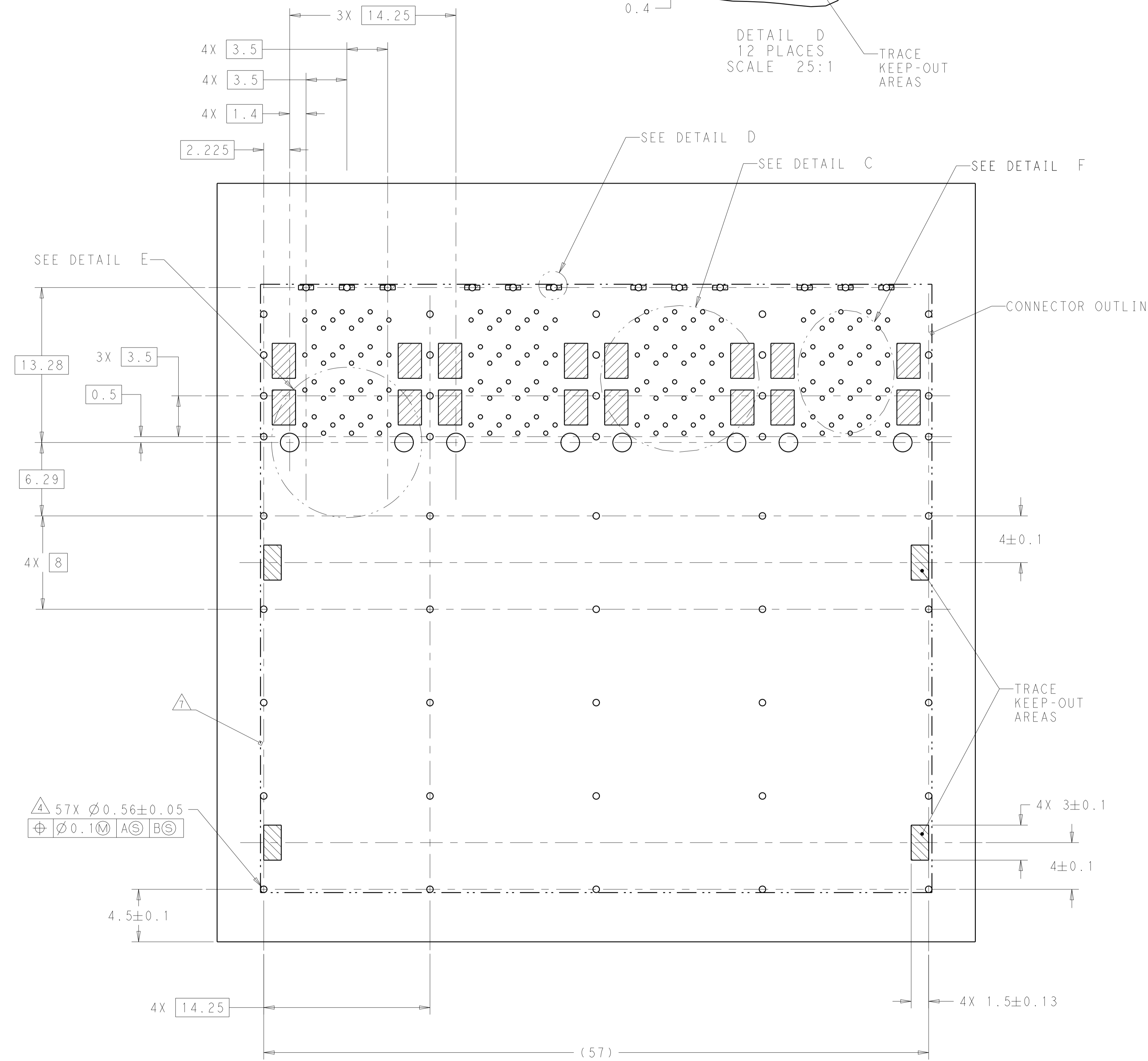
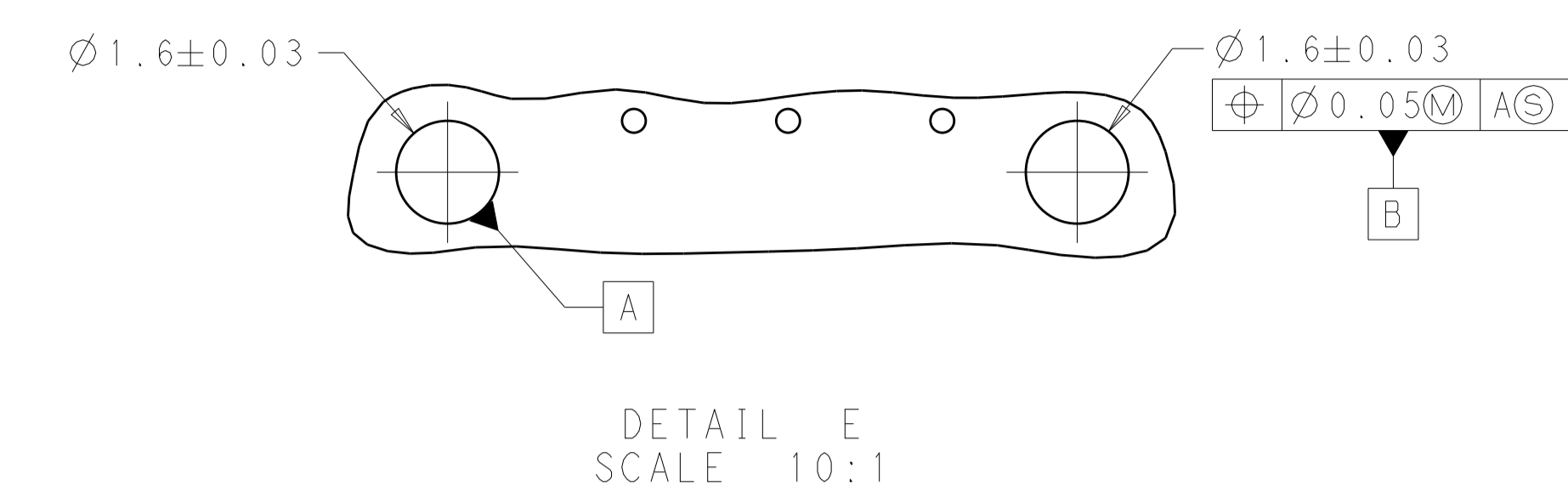
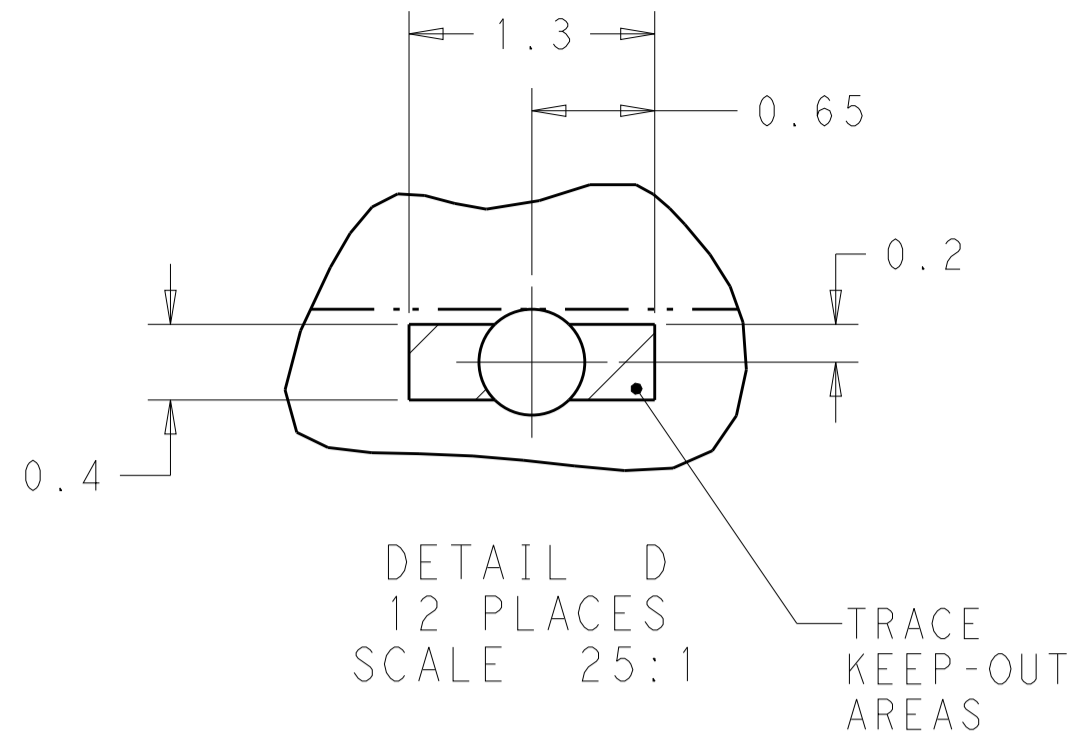
THIS DRAWING IS A CONTROLLED DOCUMENT.		DMN J. WANG 17JUL2018	TE Connectivity
DIMENSIONS: mm		CHK S. HAN 17JUL2018	
TOLERANCES UNLESS OTHERWISE SPECIFIED: 0 PLC ±0.25 1 PLC ±0.25 2 PLC ±0.25 3 PLC ±0.25 4 PLC ±0.25 ANGLES ±°		APVD S. HAN 17JUL2018	NAME RECEPTACLE ASSEMBLY, 2X4, STACKED, SFP56
MATERIAL SEE NOTES		FINISH SEE NOTES	PRODUCT SPEC 108-2481 APPLICATION SPEC 114-13319 WEIGHT - CUSTOMER DRAWING
SIZE A100779		CAGE CODE C=2339978	RESTRICTED TO -
SCALE 4:1		SHEET 4	OF 7
REV B			

LOC		DIST		REVISIONS			
GP	00	P	LTH	DESCRIPTION	DATE	DWN	APVD
				SEE SHEET 1			



THIS DRAWING IS A CONTROLLED DOCUMENT.		DWN J. WANG 17JUL2018	TE Connectivity														
DIMENSIONS: mm		CHK S. HAN 17JUL2018															
TOLERANCES UNLESS OTHERWISE SPECIFIED:		APVD S. HAN 17JUL2018	NAME RECEPTACLE ASSEMBLY, 2X4, STACKED, SFP56														
<table border="1"> <tr><td>0 PLC</td><td>±0.25</td></tr> <tr><td>1 PLC</td><td>±0.25</td></tr> <tr><td>2 PLC</td><td>±0.25</td></tr> <tr><td>3 PLC</td><td>±0.25</td></tr> <tr><td>4 PLC</td><td>±0.25</td></tr> <tr><td>ANGLES</td><td>±0.25</td></tr> <tr><td>FINISH</td><td>±0.25</td></tr> </table>		0 PLC	±0.25	1 PLC	±0.25	2 PLC	±0.25	3 PLC	±0.25	4 PLC	±0.25	ANGLES	±0.25	FINISH	±0.25	PRODUCT SPEC 108-2481	SIZE A100779
0 PLC	±0.25																
1 PLC	±0.25																
2 PLC	±0.25																
3 PLC	±0.25																
4 PLC	±0.25																
ANGLES	±0.25																
FINISH	±0.25																
MATERIAL SEE NOTES		APPLICATION SPEC 114-13319	RESTRICTED TO -														
CUSTOMER DRAWING		WEIGHT -	SCALE 4:1 SHEET 5 OF 7 REV B														

LOC		DIST		REVISONS			
GP	00	P	LTN	DESCRIPTION	DATE	DMN	APVD
				SEE SHEET 1			



THIS DRAWING IS A CONTROLLED DOCUMENT.		DMN J. WANG 17JUL2018	TE Connectivity
DIMENSIONS: mm		CHK S. HAN 17JUL2018	
TOLERANCES UNLESS OTHERWISE SPECIFIED:		APVD S. HAN 17JUL2018	NAME RECEPTACLE ASSEMBLY, 2X4, STACKED, SFP56
0 PLC ±0.25		PRODUCT SPEC 108-2481	SIZE A100779C=2339978
1 PLC ±0.25		APPLICATION SPEC 114-13319	RESTRICTED TO
2 PLC ±0.25		WEIGHT	SCALE 4:1 SHEET 6 OF 7 REV B
3 PLC ±0.25		CUSTOMER DRAWING	
4 PLC ±0.25			
ANGLES ±4°			
MATERIAL SEE NOTES			
FINISH SEE NOTES			

LOC	DIST	REVISIONS					
GP	00	P	LTN	DESCRIPTION	DATE	DMN	APVD
		-		SEE SHEET 1	-	-	-

T19○ T16○ T13○
 T20○ T17○ T14○ T11○
 T18○ T15○ T12○

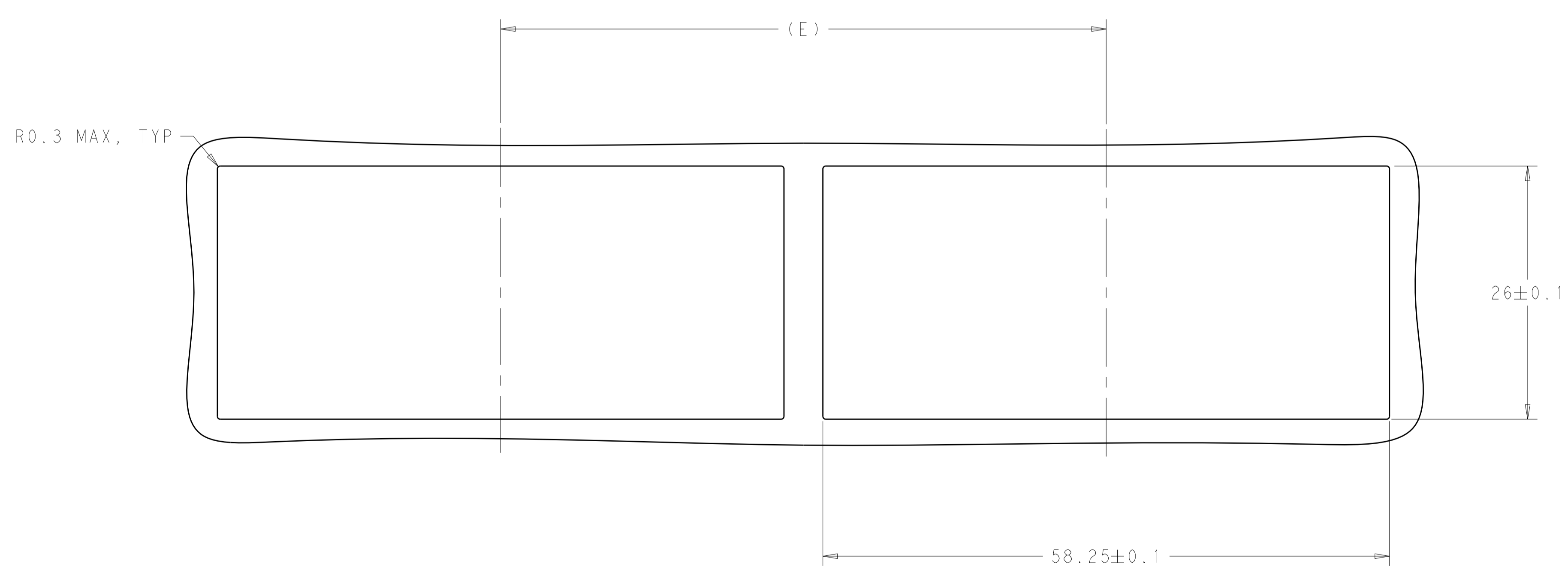
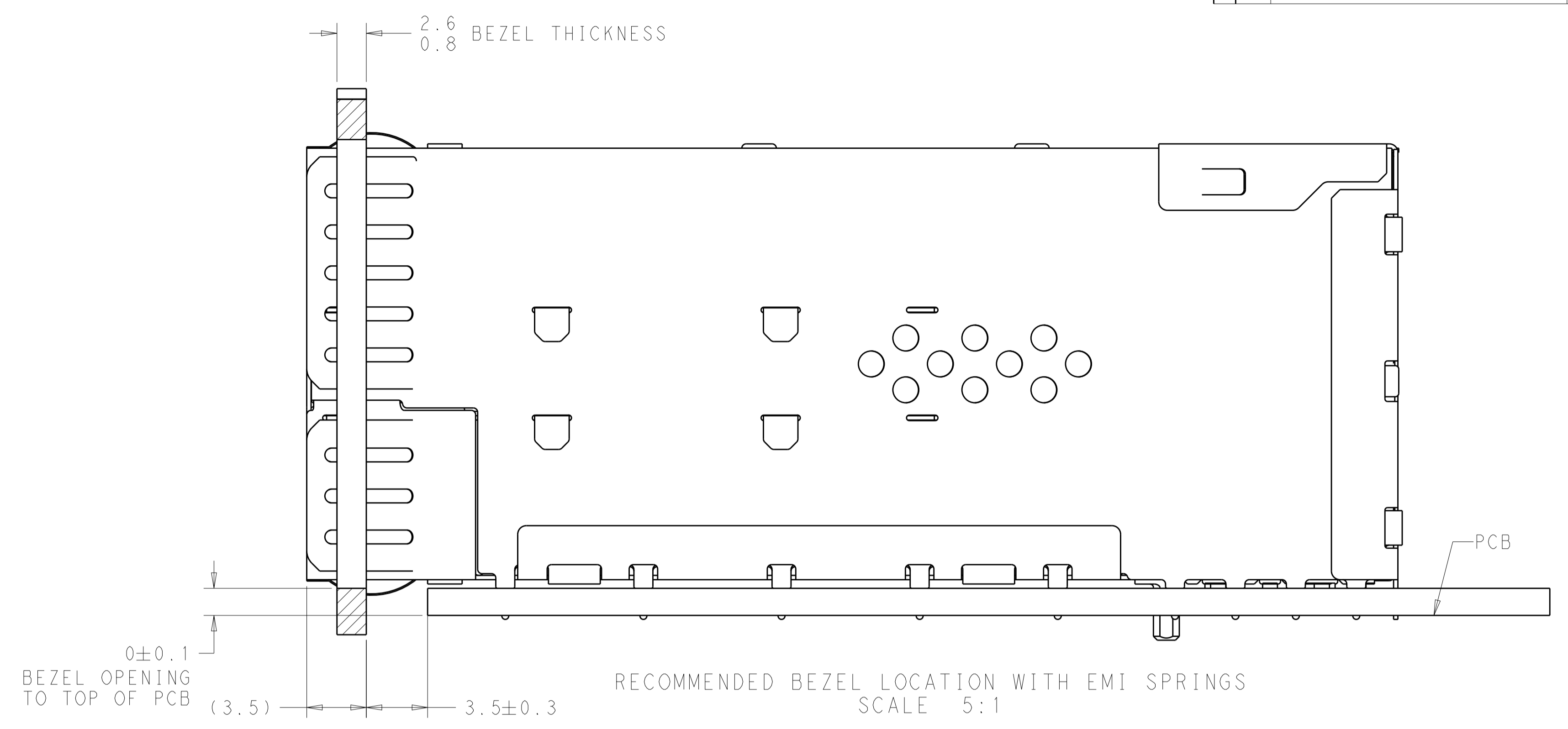
T2○ T5○ T8○
 T1○ T4○ T7○ T10○
 T3○ T6○ T9○

L9○ L6○ L3○
 L10○ L7○ L4○ L1○
 L8○ L5○ L2○

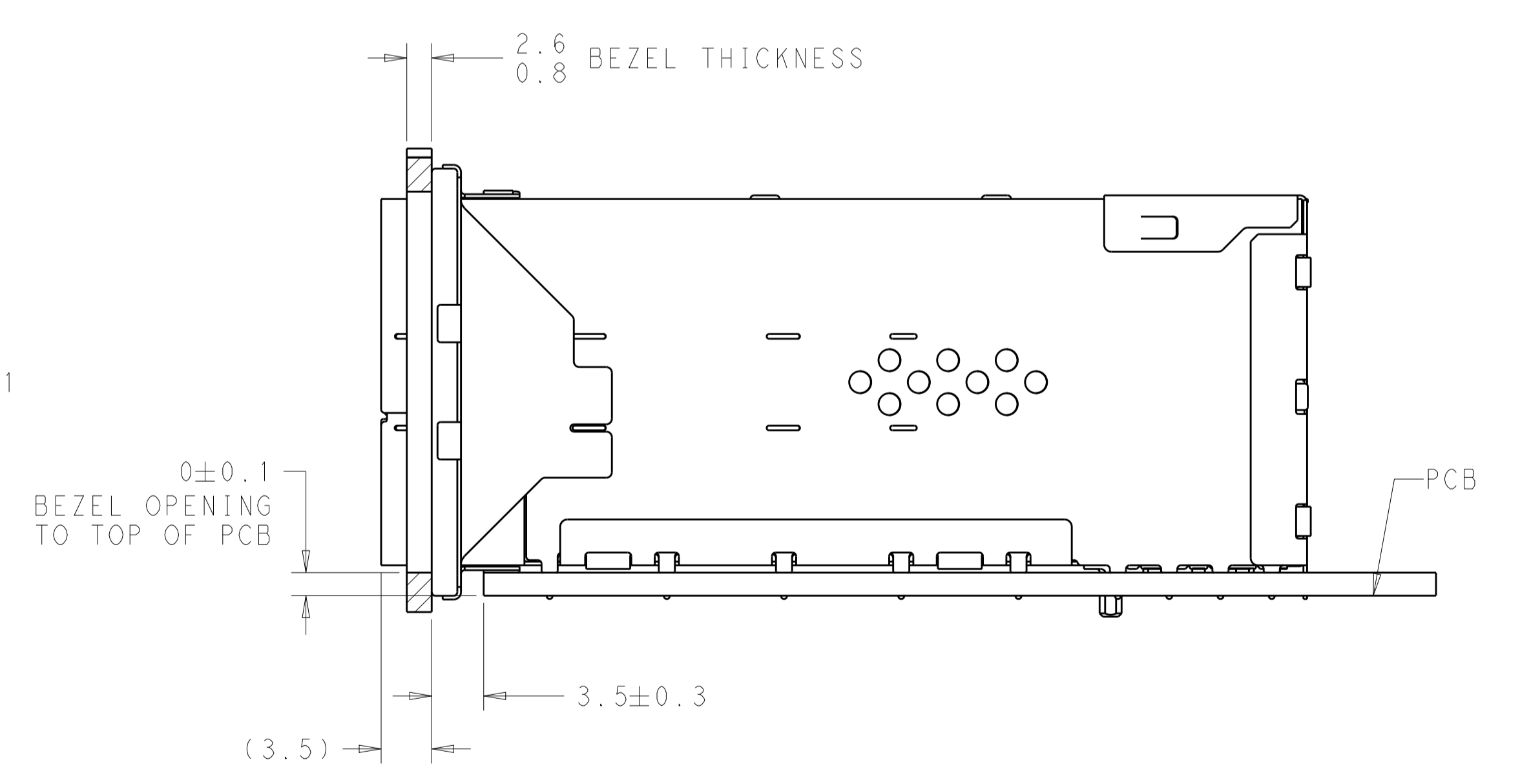
L12○ L15○ L18○
 L11○ L14○ L17○ L20○
 L13○ L16○ L19○

PIN MAP LEGEND	
PIN NUMBER	FUNCTION
L1/T1	VEET
L2/T2	TX-FAULT
L3/T3	TX-DISABLE
L4/T4	SDA
L5/T5	SCL
L6/T6	MOD_ABS
L7/T7	RSO
L8/T8	RX_LOS
L9/T9	RS1
L10/T10	VEER
L11/T11	VEER
L12/T12	RD-
L13/T13	RD+
L14/T14	VEER
L15/T15	VCCR
L16/T16	VCCT
L17/T17	VEET
L18/T18	TD+
L19/T19	TD-
L20/T20	VEET

DETAIL F
 PIN MAP
 4 PLACES
 SCALE 15:1



RECOMMENDED BEZEL CUT-OUT DETAIL
 SCALE 3:1



THIS DRAWING IS A CONTROLLED DOCUMENT.		DMN J. WANG 17JUL2018	STE TE Connectivity
DIMENSIONS: mm		CHK S. HAN 17JUL2018	
TOLERANCES UNLESS OTHERWISE SPECIFIED:		APVD S. HAN 17JUL2018	NAME RECEPTACLE ASSEMBLY, 2X4, STACKED, SFP56
0 PLC ±0.25	1 PLC ±0.25	PRODUCT SPEC 108-2481	SIZE CAGE CODE DRAWING NO. RESTRICTED TO
2 PLC ±0.25	3 PLC ±0.25	APPLICATION SPEC	A100779C=2339978
4 PLC ±0.25	ANGLES ±°	114-13319	WEIGHT
MATERIAL SEE NOTES	FINISH SEE NOTES	CUSTOMER DRAWING	SCALE 4:1 SHEET 7 OF 7 REV B

X-ON Electronics

Largest Supplier of Electrical and Electronic Components

Click to view similar products for [I/O Connectors](#) category:

Click to view products by [TE Connectivity](#) manufacturer:

Other Similar products are found below :

[571763P](#) [58098-0628](#) [72.250.1628.2](#) [72.250.2428.2](#) [74720-0505](#) [76.350.0729.0](#) [76871-1403](#) [FCN-244F080-G/1](#) [FCN-260A9920](#) [PCR-E36PM](#) [PCS-XE26MA+](#) [G38A71314B](#) [1571250010](#) [157-22500-3](#) [MS3471L14-19P L/C](#) [172501-4002](#) [172501-6002](#) [FCN-260C008-A/L0](#) [FCN-260C024-AL0](#) [FCN-261Z008](#) [2000314-1](#) [200331-1](#) [PCR-E36FC+](#) [PCS-E28FS+](#) [PCS-XE26SLFD+](#) [PCS-XE26SLFDT+](#) [G730VID08BDC24](#) [U90B2054081210](#) [38113800006](#) [DP3AR020WQ1R200](#) [Z4.102.0680.0](#) [500-1040](#) [500-1052](#) [500-1054](#) [ZP-4008-66L](#) [0709821002](#) [DX40-20P\(55\)](#) [5554841-1](#) [MS3474W18-8P-LC*](#) [U90B3054061110](#) [U65-E04-4020](#) [ZPF000000000097891](#) [747360449](#) [10099439-003C-TRLF](#) [10137239-0021LF](#) [E9320-001-01](#) [10137239-0011LF](#) [70289-001LF](#) [70.060.1028.0](#) [109029-ZZ](#)