

- MATERIALS:
 CAGE ASSEMBLY - NICKEL-SILVER ALLOY PER ASTM B 122
 CONNECTOR HOUSING - LCP, BLACK, UL 94V-0 RATED
 CHICKLET - LCP, BLACK, UL 94V-0 RATED
 CHICKLET ALIGNMENT CLIP - LCP, BLACK, UL 94V-0 RATED
 CONTACT - COPPER ALLOY
 EMI GASKET - ELASTOMERIC
 GASKET FLANGE - STAINLESS STEEL
 EMI SPRINGS - PHOSPHOR BRONZE PER ASTM B 103,
 0.8µm MIN TIN PER ASTM B 545
 LIGHT PIPE - POLYCARBONATE
 LIGHT PIPE PLATE - STAINLESS STEEL

- CONTACT FINISH:
 0.76µm MIN GOLD PER ASTM B 844 AT MATING INTERFACE,
 1.25µm MIN MATTE TIN PER ASTM B 545 AT PCB INTERFACE
 ALLOVER 2.54µm MIN NICKEL PER QQ-N-290.

3. PCB MINIMUM THICKNESS = 1.5mm

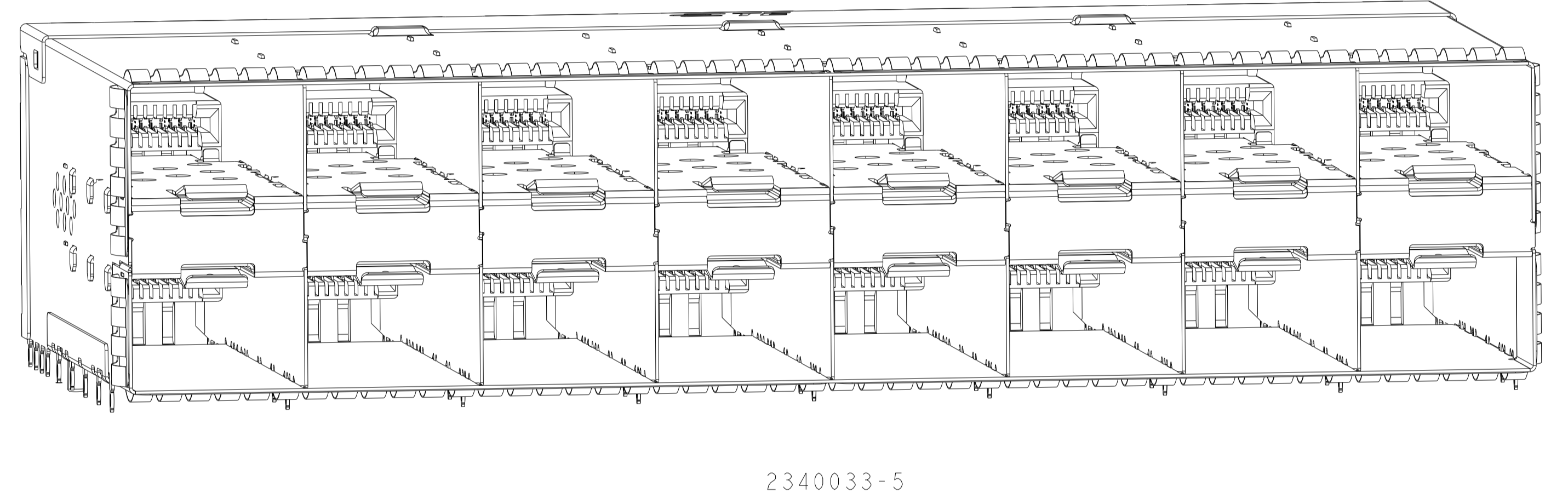
△ FOR HOLE SIZE AND PLATINGS,
 SEE APPLICATION SPECIFICATION 114-13319

△ LIGHT PIPE PAD LAYOUT IS FOR 0805 LOW PROFILE
 LED PACKAGE WITH A HEIGHT OF 0.8mm

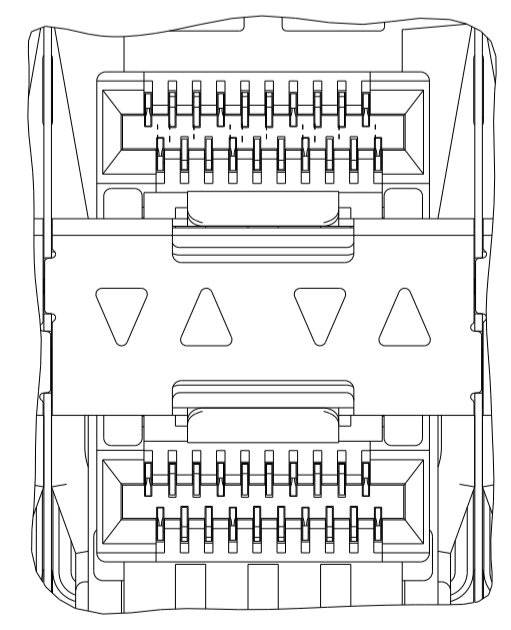
△ DIMENSIONS APPLY FOR EMI SPRINGS ONLY

△ THE ENTIRE AREA OF THE CONNECTOR FOOTPRINT,
 INDICATED BY THE DASHED LINE, TO BE CONSIDERED
 THE KEEPOUT AREA FOR COMPONENTS AND SIGNAL TRACES,
 TOP SIDE ONLY, TOP SIDE TRACES ALLOWED WITHIN
 CONNECTOR HOLE PATTERN

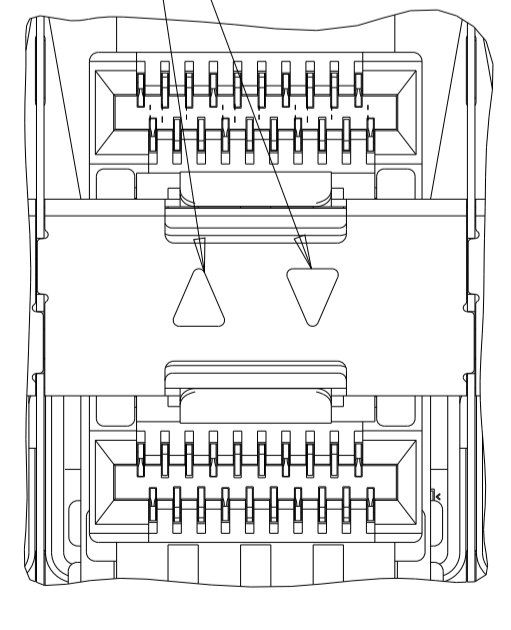
△ THE DIMENSIONS APPLY TO 4-2340033-0 ONLY.



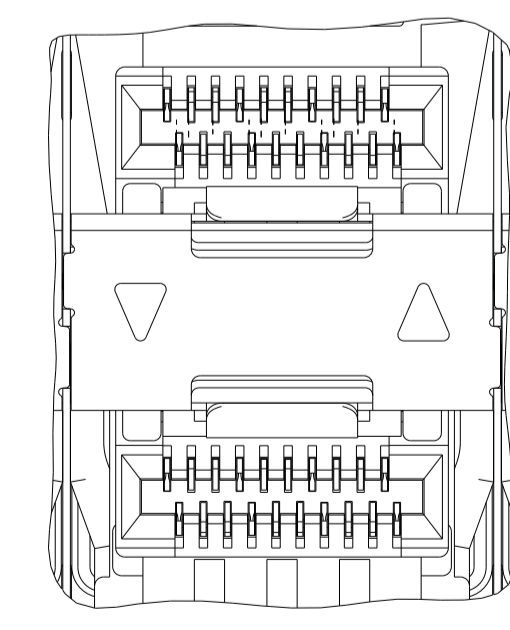
LIGHT PIPE



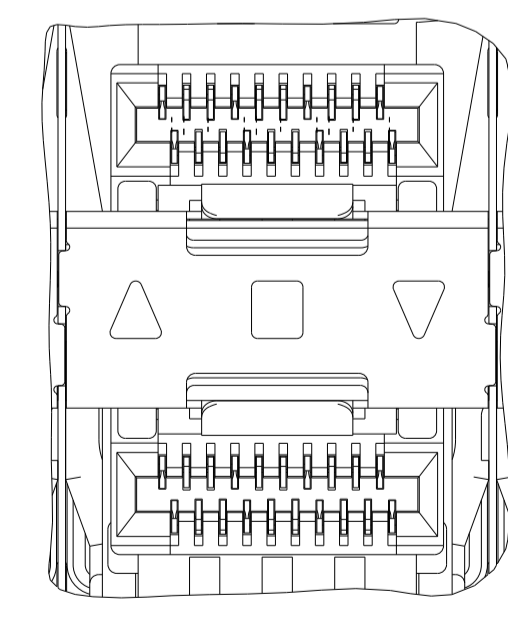
INNER/OUTER LIGHT PIPE
 2340033-2, 2340033-6
 SCALE 4:1



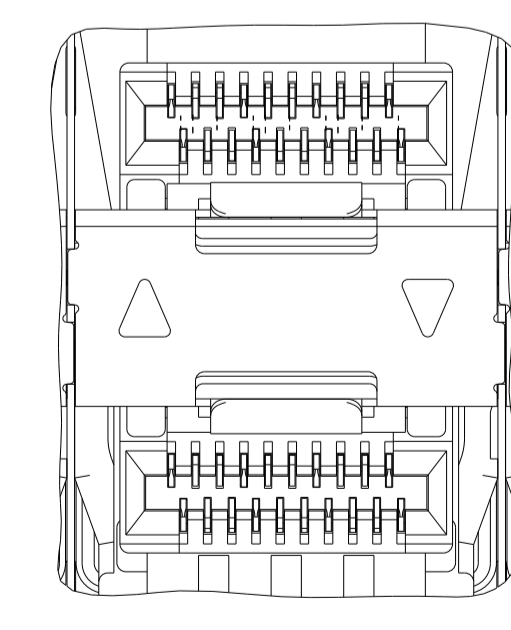
INNER LIGHT PIPE
 2340033-3, 2340033-7
 4-2340033-0
 SCALE 4:1



OUTER LIGHT PIPES
 2340033-4, 2340033-8
 SCALE 4:1



CENTER/REVERSED OUTER LIGHT PIPES
 1-2340033-7, 1-2340033-9
 SCALE 4:1



REVERSED OUTER LIGHT PIPES
 1-2340033-8, 2-2340033-0
 SCALE 4:1

| LOC | DIST | REVISIONS | | | | | |
|-----|------|-----------|-----|-----------------------------------|-----------|-----|------|
| GP | 00 | P | LYN | DESCRIPTION | DATE | OWN | APVD |
| | | C | | REVISED PER ECO-20-014521 | 13OCT2020 | JY | SH |
| | | D | | ECO-20-017955 | 26OCT2020 | JY | SH |
| | | D1 | | ADD NEW DASH NUMBER 3-2340033-6/7 | 22APR2021 | SZ | SZ |

| LOC | DESCRIPTION | INNER/OUTER | PART NUMBER |
|--------|---|--------------------------|-------------|
| 116.5 | THERMAL HOLE TOP SURFACE | INNER | 4-2340033-0 |
| 116.5 | EMI SPRINGS, CUSTOMIZED VENT HOLES | NONE | 3-2340033-7 |
| 116.5 | EMI SPRINGS, CUSTOMIZED VENT HOLES | INNER | 3-2340033-6 |
| 116.5 | EMI SPRING AIRFLOW ENHANCE TYPE | REVERSED OUTER | 3-2340033-5 |
| 116.5 | EMI SPRINGS, CUSTOMIZED THERMAL ENHANCE | INNER | 3-2340033-4 |
| 116.5 | EMI SPRINGS, TAPE AIRFLOW ENHANCE TYPE | NONE | 3-2340033-3 |
| 119.25 | EMI GASKET LOW PROFILE FLANGE | INNER | 3-2340033-2 |
| 116.5 | EMI SPRINGS AIRFLOW ENHANCE TYPE | NONE | 3-2340033-1 |
| 119.25 | EMI GASKET AIRFLOW ENHANCE TYPE | NONE | 3-2340033-0 |
| 116.5 | EMI SPRINGS | REVERSED OUTER | 2-2340033-0 |
| | | CENTER/REVERSED OUTER | 1-2340033-9 |
| 119.25 | EMI GASKET | REVERSED OUTER | 1-2340033-8 |
| | | CENTER/REVERSED OUTER | 1-2340033-7 |
| 116.5 | EMI SPRING WITH NICKEL PLATING ONLY | OUTER | 1-2340033-2 |
| | | INNER | 1-2340033-1 |
| | | INNER/OUTER | 1-2340033-0 |
| | | NONE | 2340033-9 |
| 116.5 | EMI SPRINGS | OUTER | 2340033-8 |
| | | INNER | 2340033-7 |
| | | INNER/OUTER | 2340033-6 |
| | | NONE | 2340033-5 |
| 119.25 | EMI GASKET | OUTER | 2340033-4 |
| | | INNER | 2340033-3 |
| | | INNER/OUTER | 2340033-2 |
| | | NONE | 2340033-1 |
| (E) | CAGE TYPE | LIGHT PIPE CONFIGURATION | PART NUMBER |

THIS DRAWING IS A CONTROLLED DOCUMENT.

OWN: J. WANG 26 JUL 2018
 CHK: S. HAN 26 JUL 2018
 APVD: S. HAN 26 JUL 2018

NAME: RECEPTACLE ASSEMBLY, 2X8, STACKED, SFP56

PRODUCT SPEC: 108-2481
 APPLICATION SPEC: 114-13319

SIZE: A1
 CAGE CODE: 00779
 DRAWING NO: 2340033

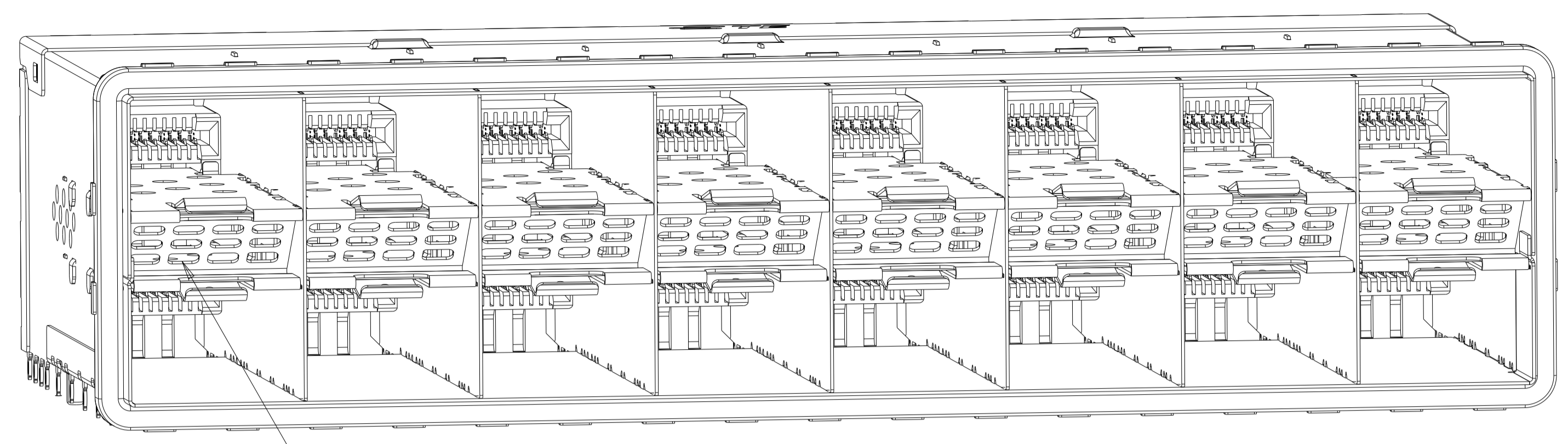
RESTRICTED TO: -

SCALE: 1:1 SHEET 1 OF 8 REV: D1

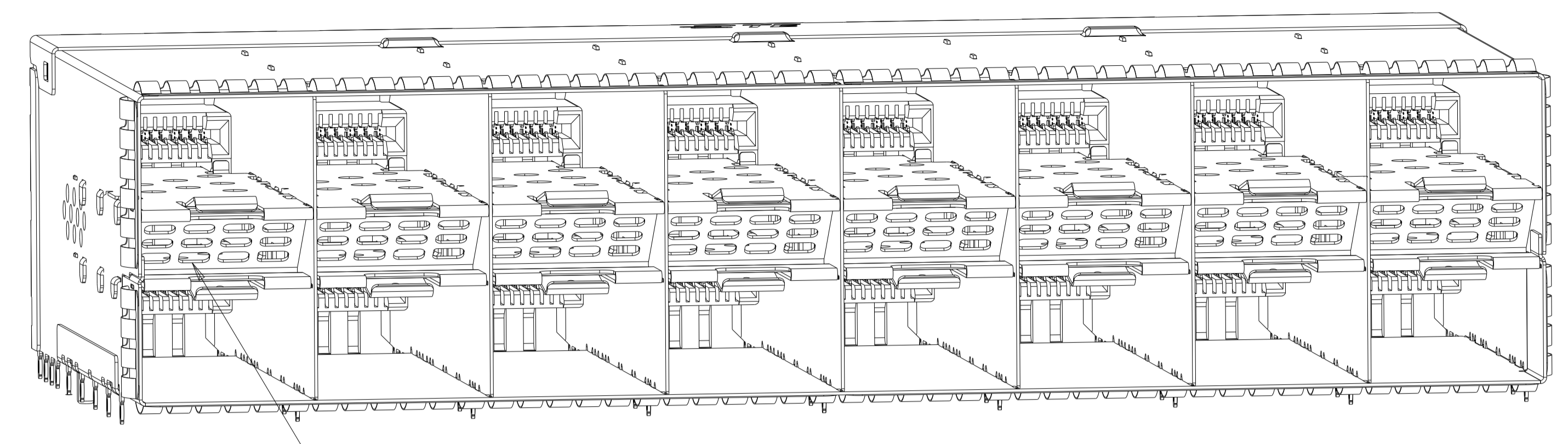
STE TE Connectivity

| LOC | | DIST | | REVISIONS | | | |
|-----|----|------|-----|-------------|------|-----|------|
| GP | 00 | P | LYR | DESCRIPTION | DATE | OWN | APVD |
| | | - | | SEE SHEET 1 | | | |

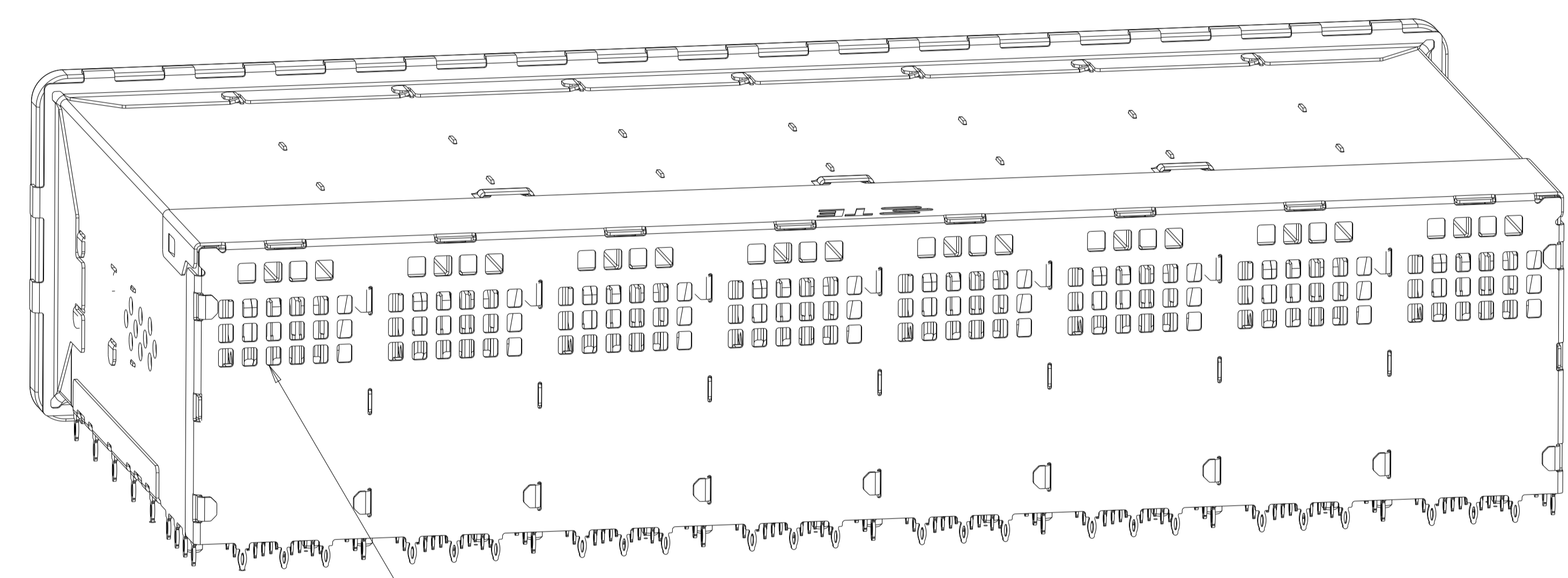
AIRFLOW ENHANCE TYPE



AIR VENTS

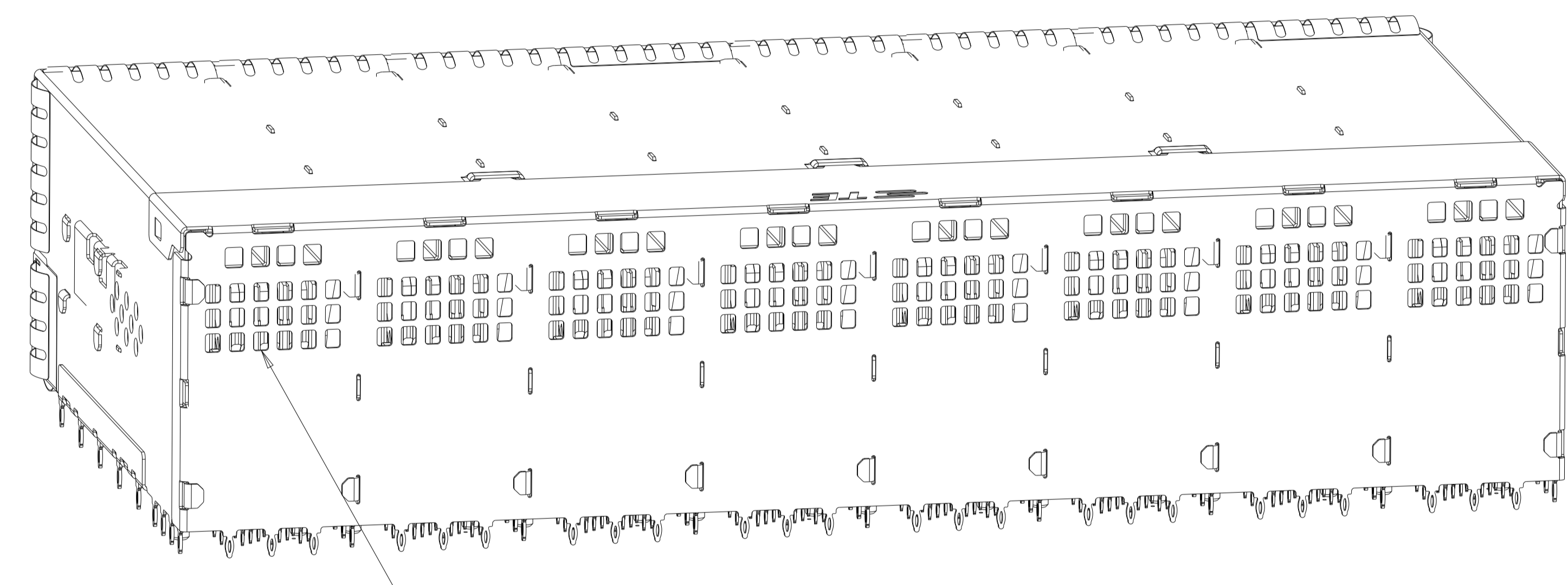


AIR VENTS



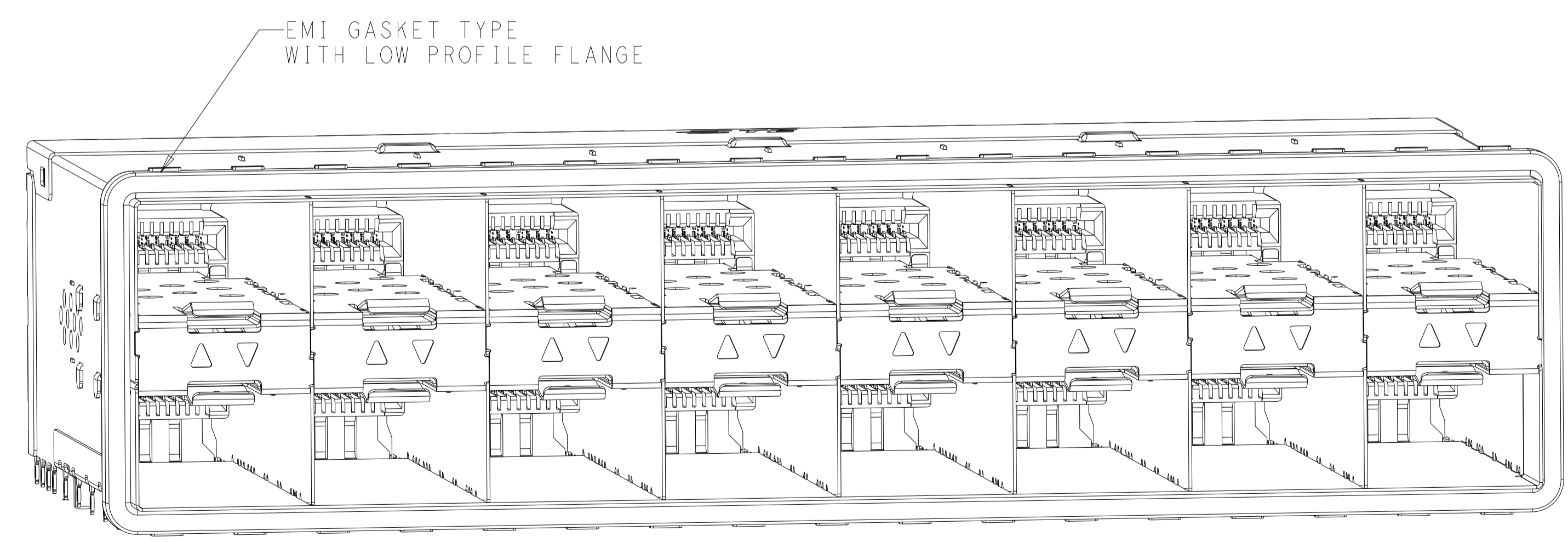
AIR VENTS

3-2340033-0
EMI GASKET TYPE



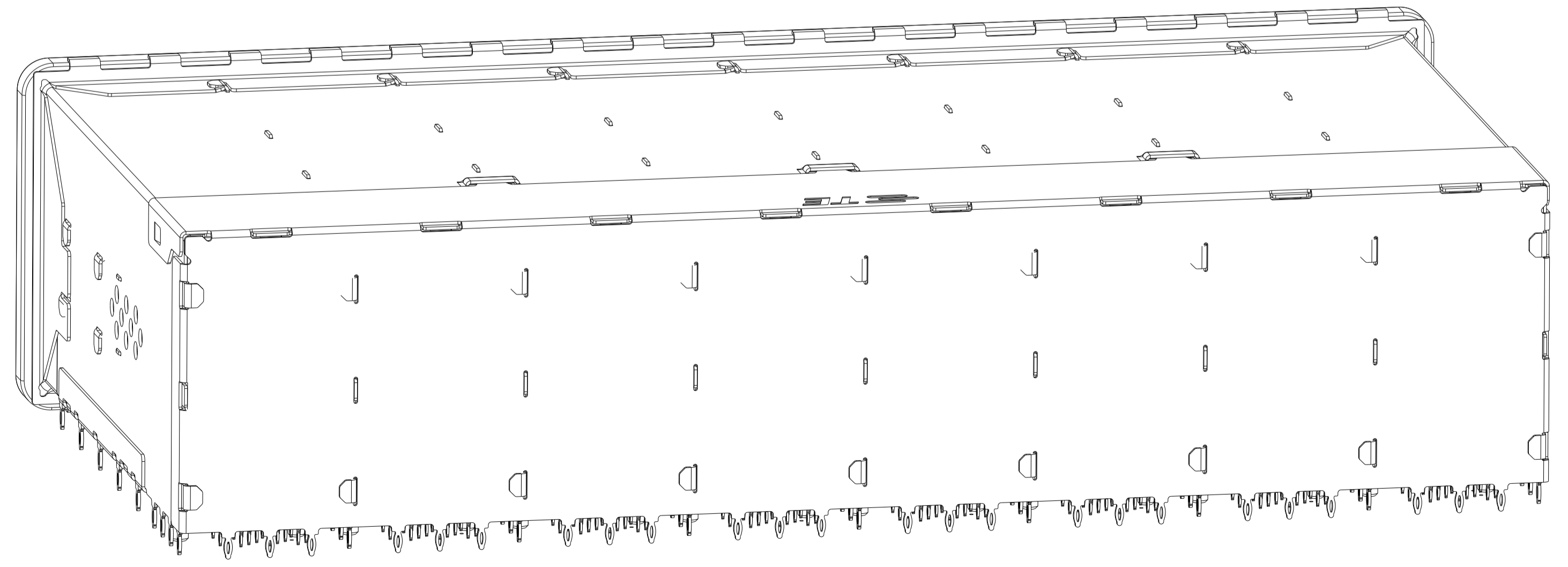
AIR VENTS

3-2340033-1
EMI SPRING TYPE



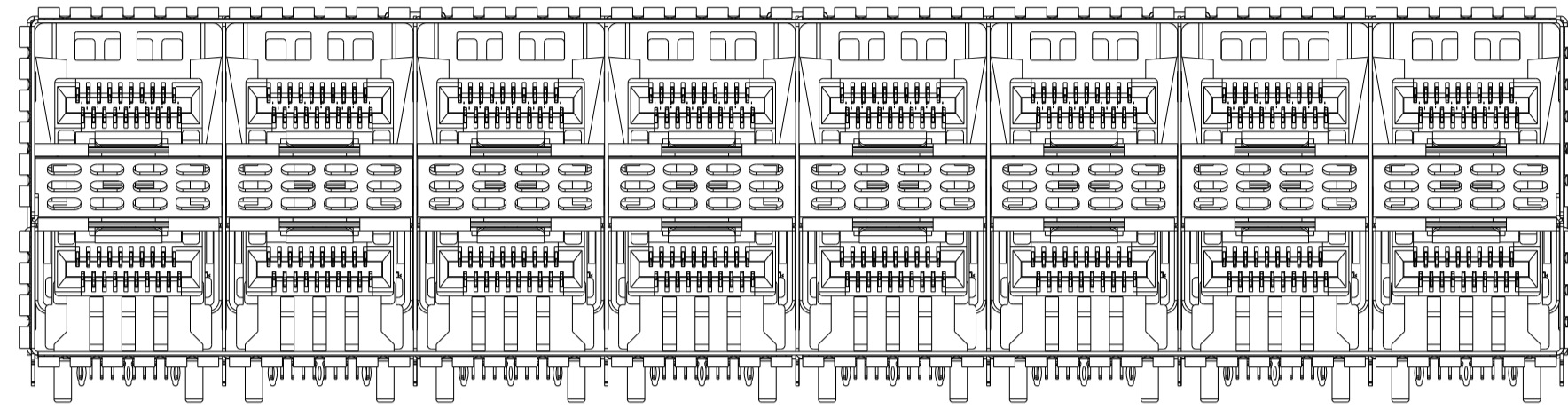
EMI GASKET TYPE
WITH LOW PROFILE FLANGE

3-2340033-2

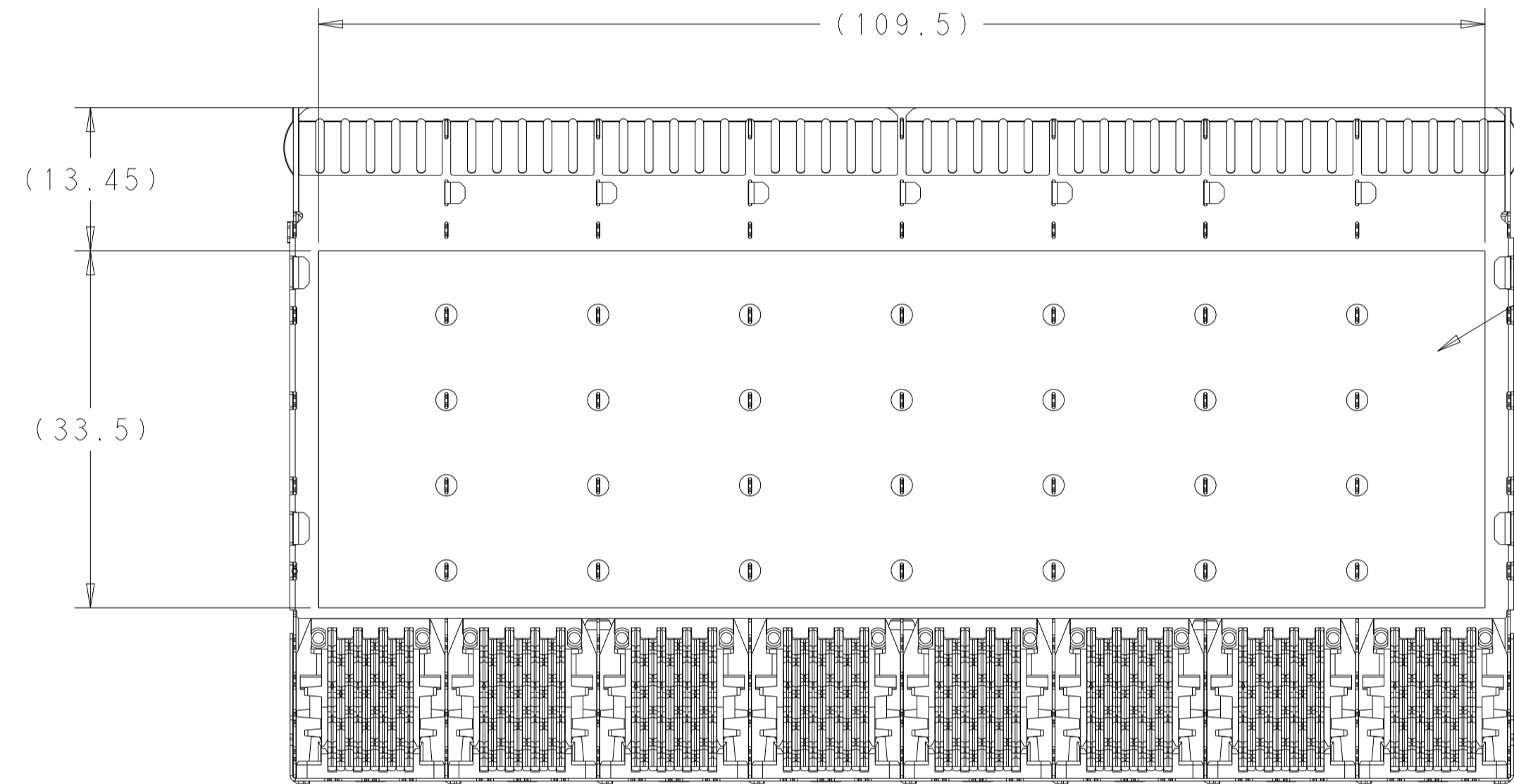


| | | | |
|--|---|-------------------------------|---|
| THIS DRAWING IS A CONTROLLED DOCUMENT. | | OWN J. WANG 26 JUL 2018 | |
| DIMENSIONS: | | CHK S. HAN 26 JUL 2018 | |
| mm | TOLERANCES UNLESS OTHERWISE SPECIFIED: | APVD S. HAN 26 JUL 2018 | NAME RECEPTACLE ASSEMBLY, 2X8, STACKED, SFP56 |
| | 0 PLC ±0.25 1 PLC ±0.25 2 PLC ±0.25 3 PLC ±0.25 4 PLC ±0.25 ANGLES ±° FINISH ±° | PRODUCT SPEC 108-2481 | SIZE A1 |
| MATERIAL SEE NOTES | SEE NOTES | APPLICATION SPEC 114-13319 | CAGE CODE DRAWING NO 100779C=2340033 |
| | | WEIGHT | RESTRICTED TO |
| | | CUSTOMER DRAWING | SCALE 1:1 SHEET 2 OF 8 REV D1 |

3-2340033-3
 UNMARKED DIMENSIONS
 SAME AS 3-2340033-1

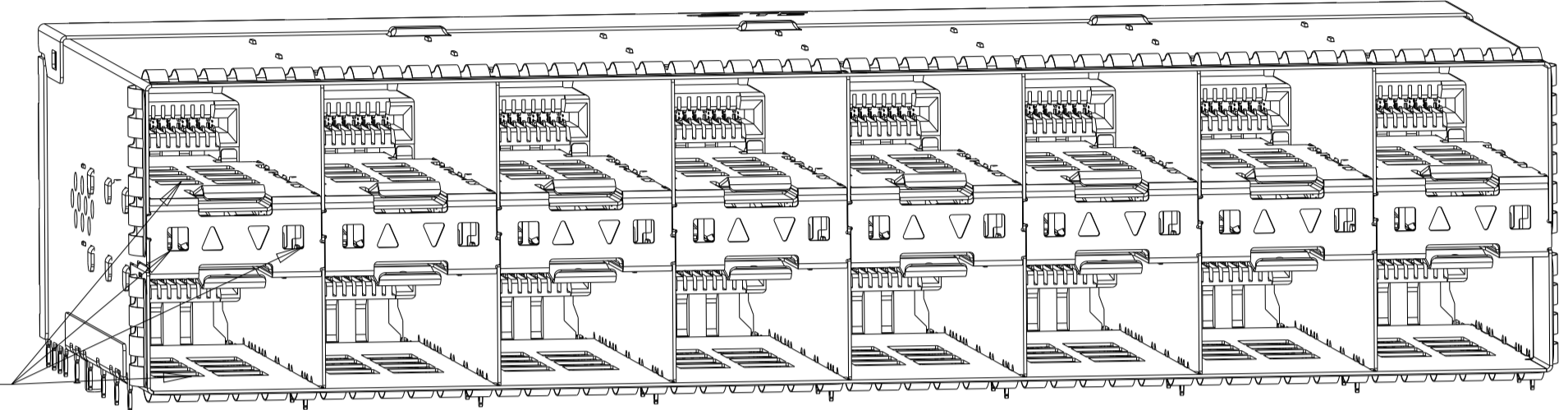


SCALE 2:1



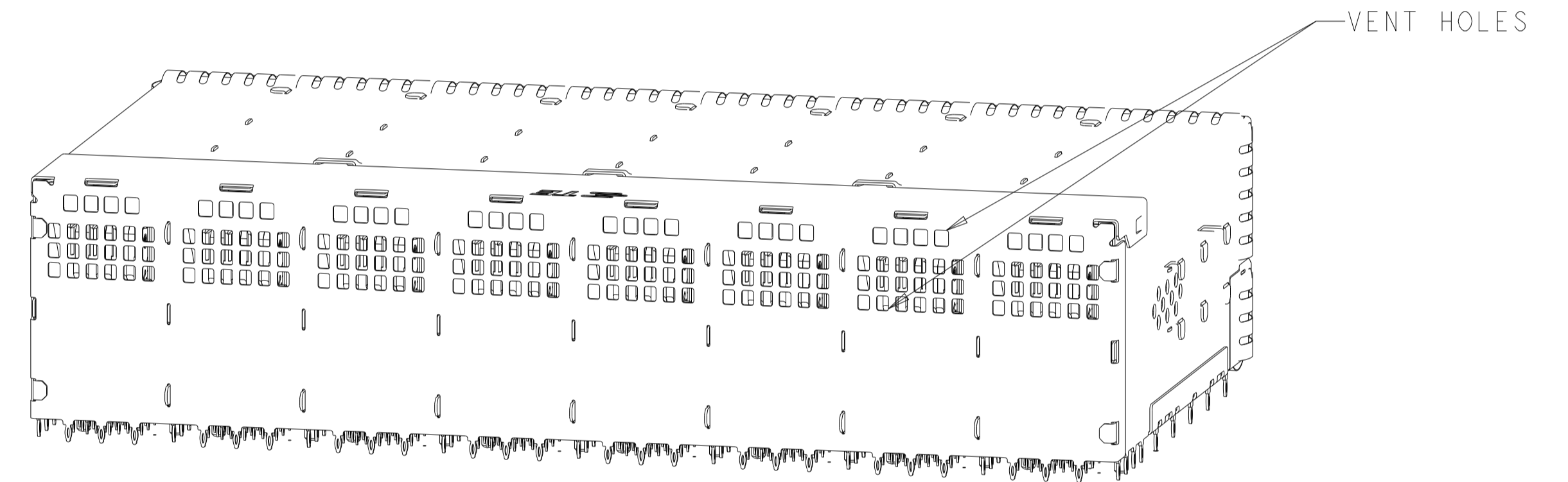
INSULATION TAPE

3-2340033-4
 UNMARKED DIMENSIONS
 SAME AS 3-2340033-1



VENT HOLES

SCALE 2:1



VENT HOLES

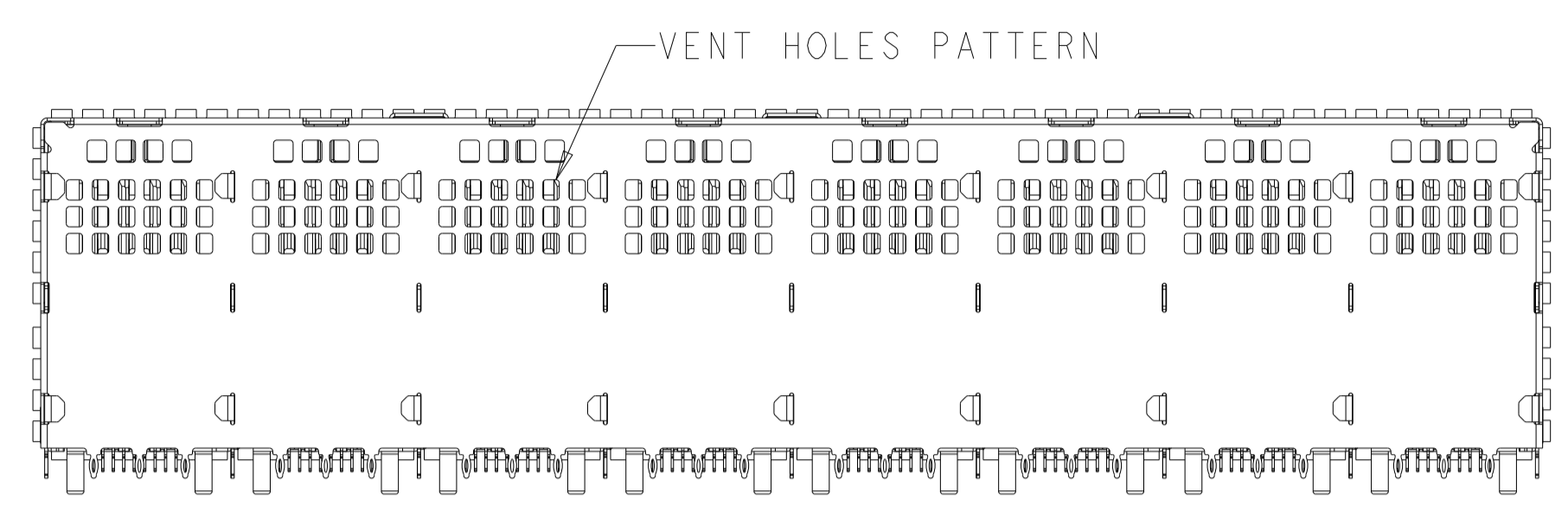
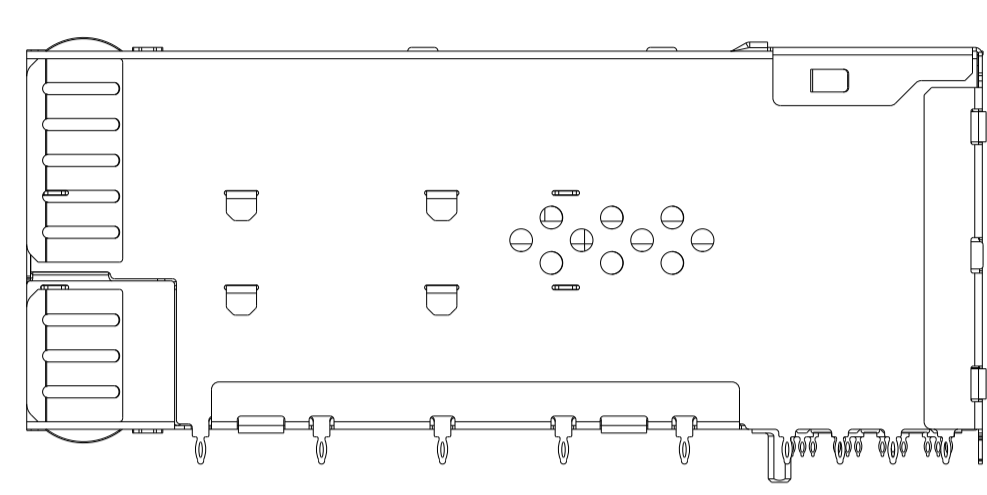
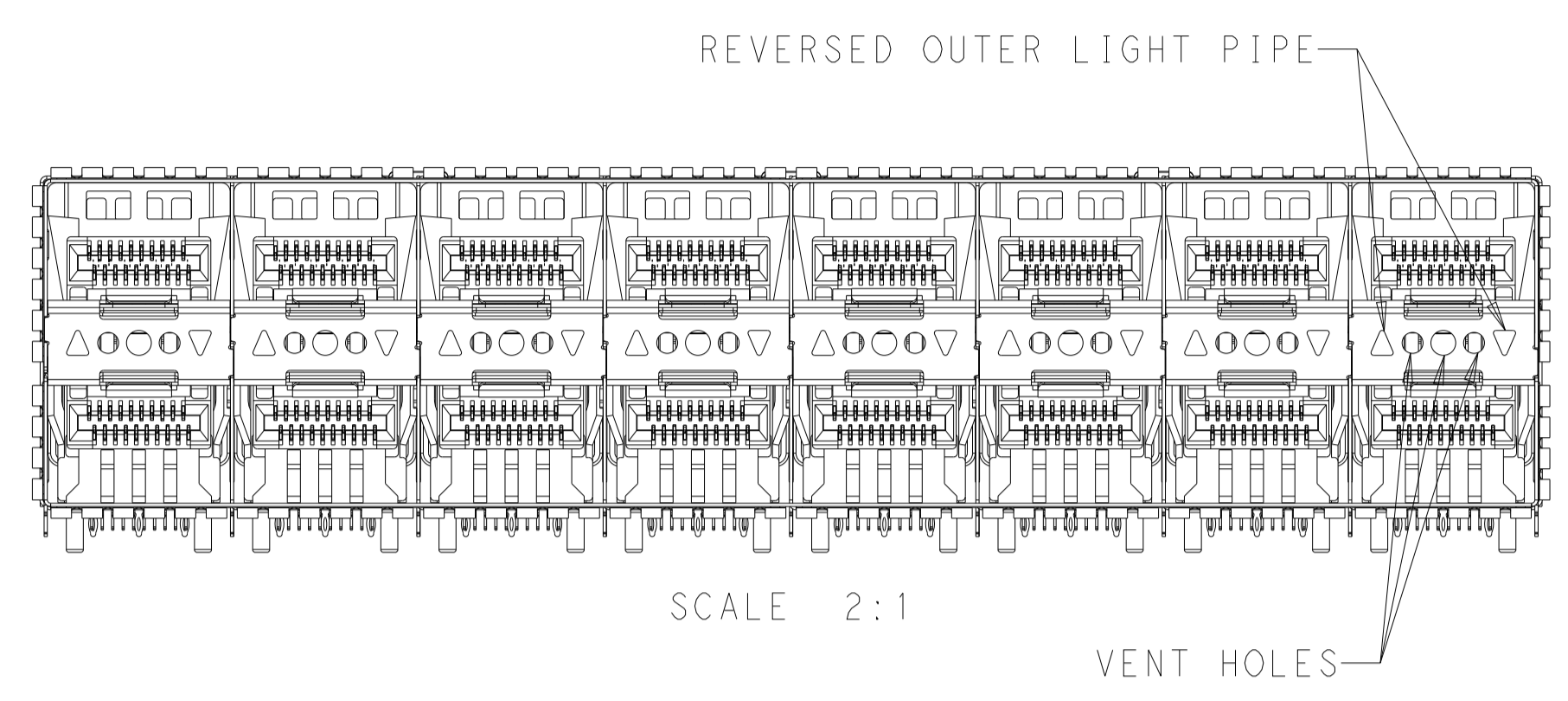
SCALE 2:1

| LOC | DIST | REVISIONS | | | |
|-----|------|-------------|------|-----|------|
| P | LYR | DESCRIPTION | DATE | DWN | APVD |
| GP | 00 | SEE SHEET 1 | - | - | - |
| | | | | | |
| | | | | | |

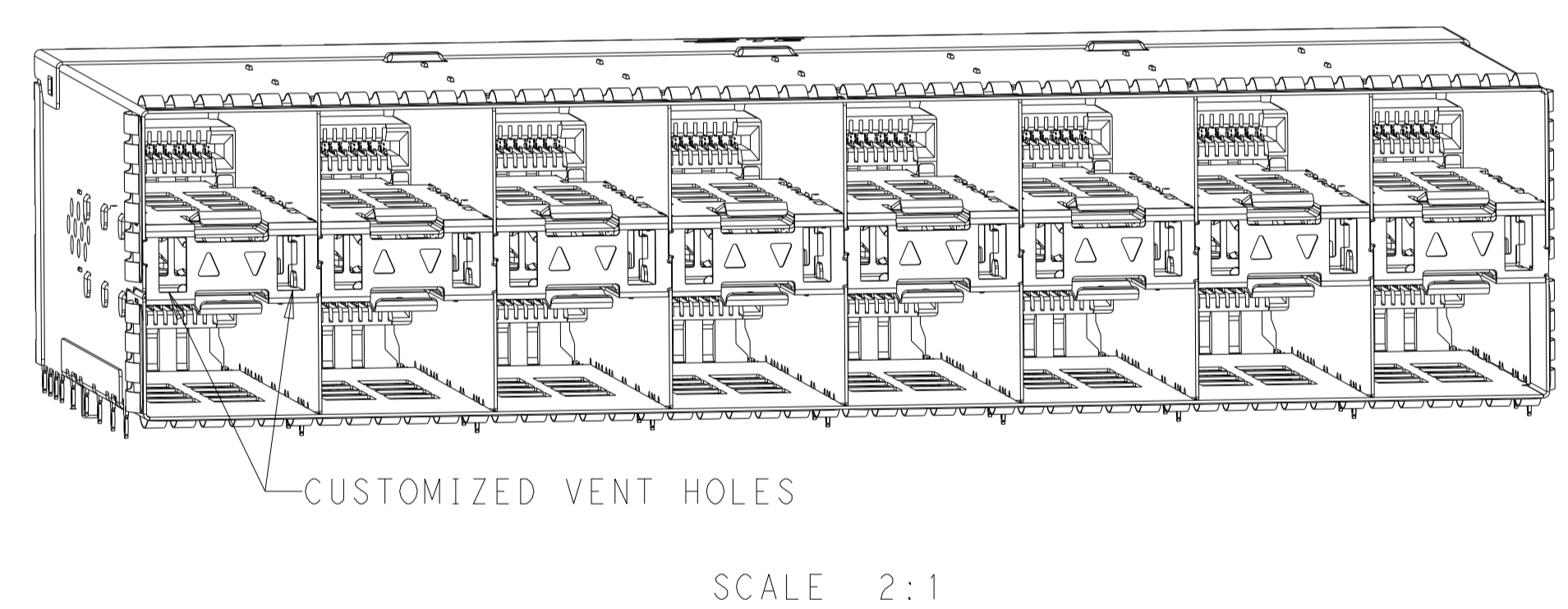
| | | | |
|--|--|-------------------------------|---|
| THIS DRAWING IS A CONTROLLED DOCUMENT. | | DWN J. WANG 26 JUL 2018 | |
| DIMENSIONS: mm | | CHK S. HAN 26 JUL 2018 | |
| | | APVD S. HAN 26 JUL 2018 | NAME RECEPTACLE ASSEMBLY, 2X8, STACKED, SFP56 |
| TOLERANCES UNLESS OTHERWISE SPECIFIED: 0 PLC ±0.25 1 PLC ±0.25 2 PLC ±0.25 3 PLC ±0.25 4 PLC ±0.25 ANGLES ±° FINISH ±5° | | PRODUCT SPEC 108-2481 | SIZE A1 |
| MATERIAL SEE NOTES | | APPLICATION SPEC 114-13319 | CAGE CODE C=2340033 |
| | | WEIGHT - | DRAWING NO 2340033 |
| | | CUSTOMER DRAWING | RESTRICTED TO - |
| | | SCALE 1:1 | SHEET 3 OF 8 |
| | | | REV D1 |

| LOC | | DIST | | REVISIONS | | | |
|-----|----|------|-----|-------------|------|-----|------|
| GP | 00 | P | LYR | DESCRIPTION | DATE | OWN | APVD |
| | | - | | SEE SHEET 1 | | | |
| | | | | | | | |
| | | | | | | | |

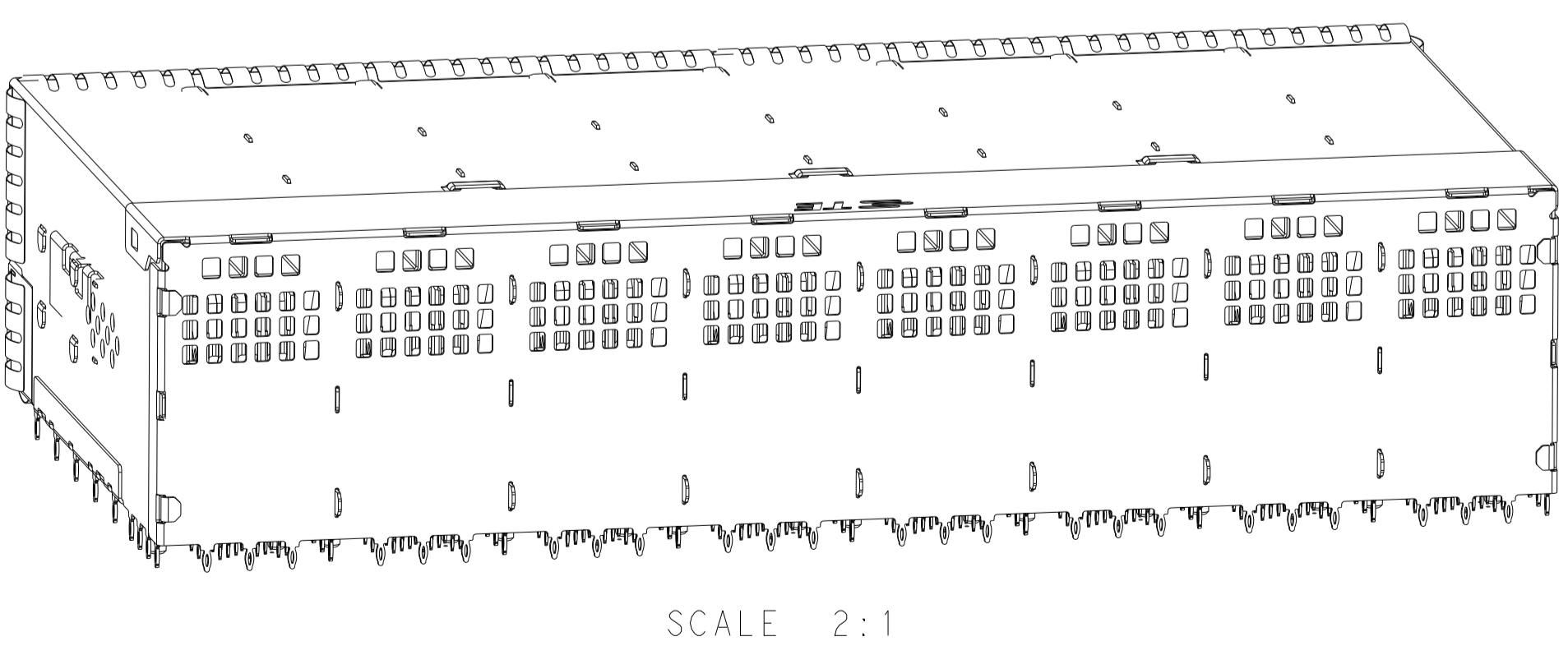
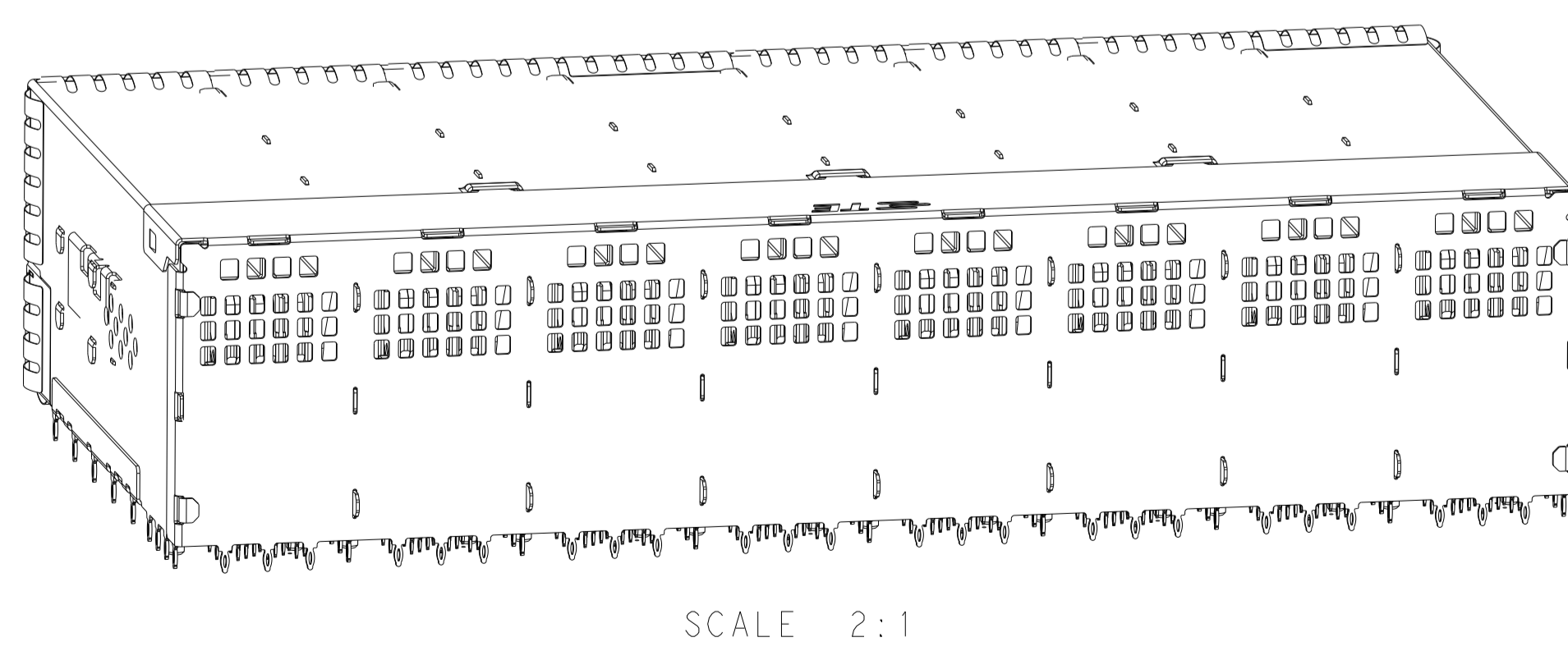
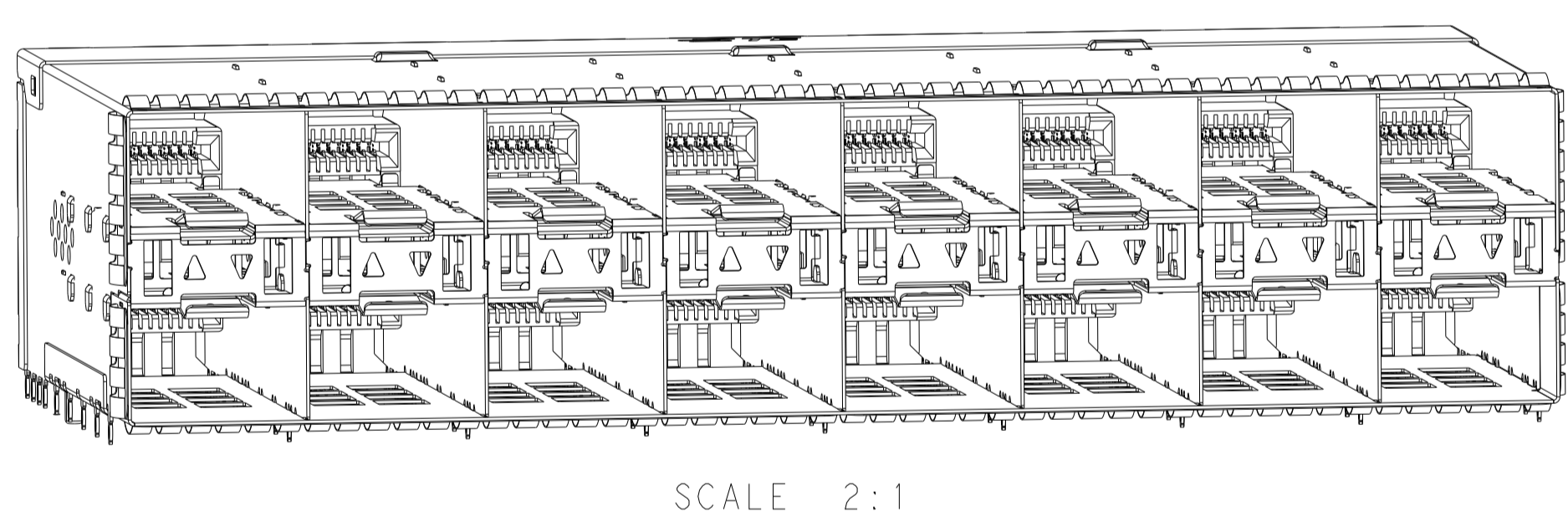
3-2340033-5 AIR FLOW ENHANCED VERSION
 UNMARKED DIMENSION SAME AS 2340033-5



3-2340033-6
 UNMARKED DIMENSIONS
 SAME AS 3-2340033-4



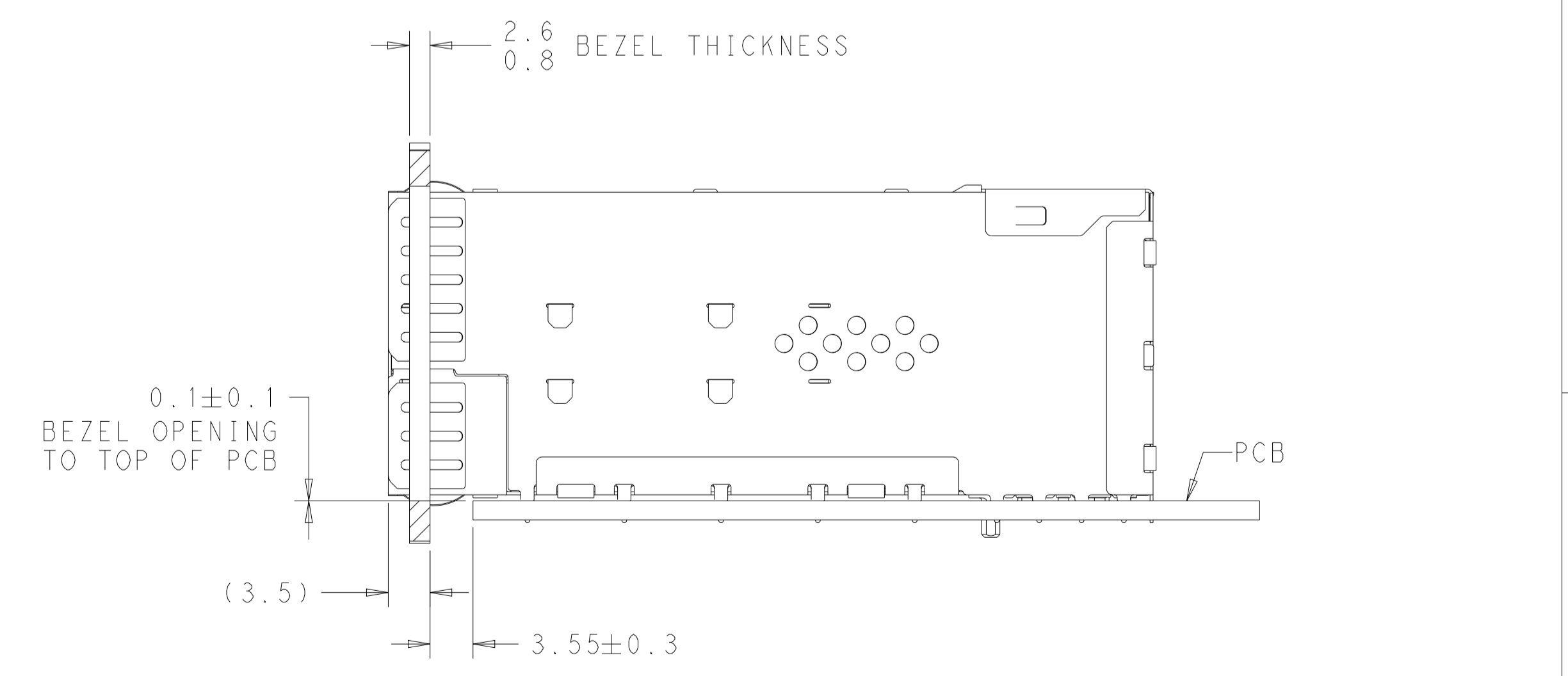
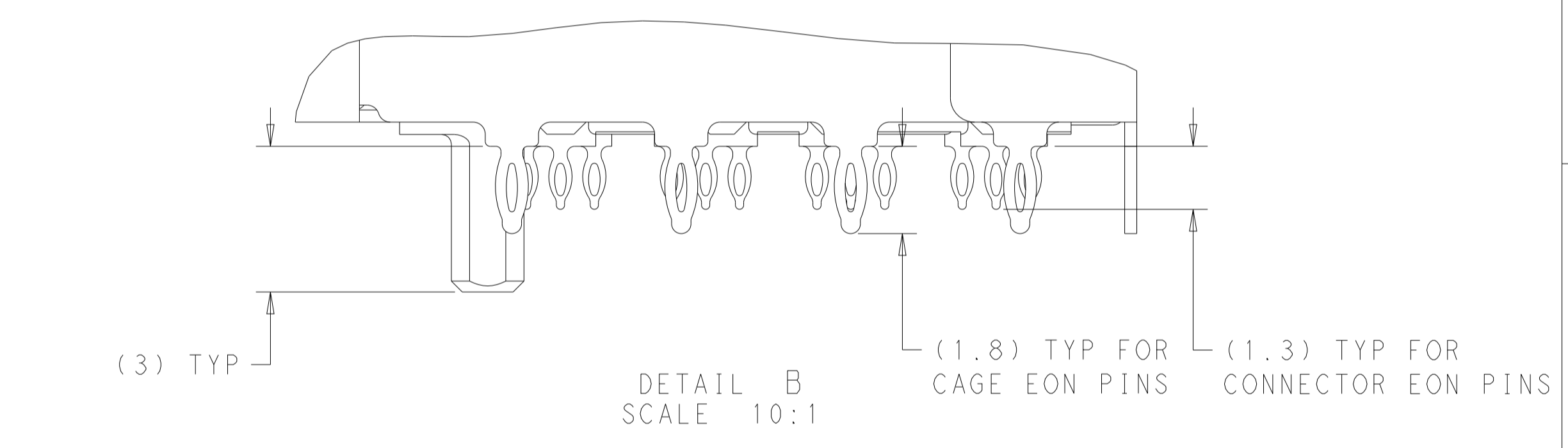
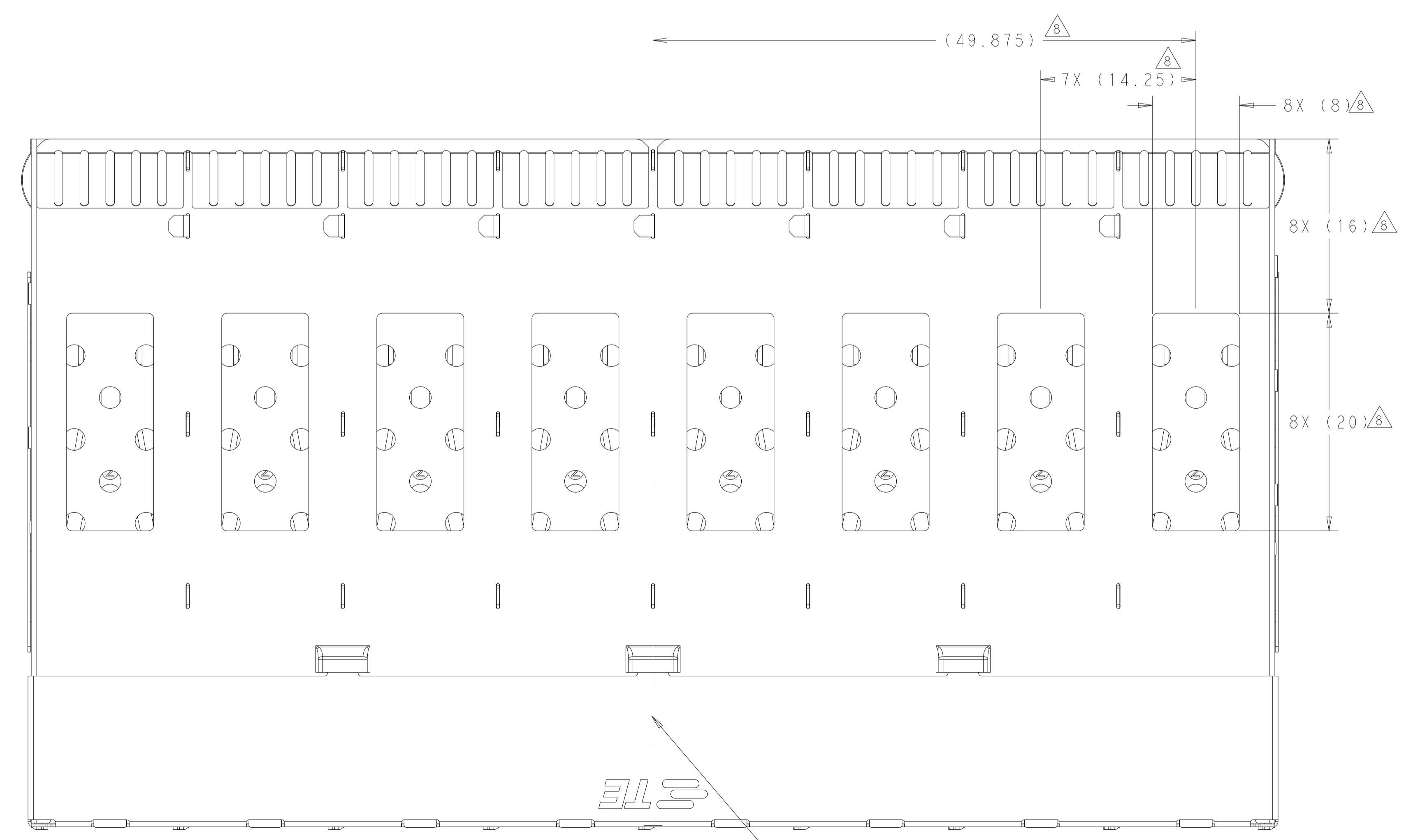
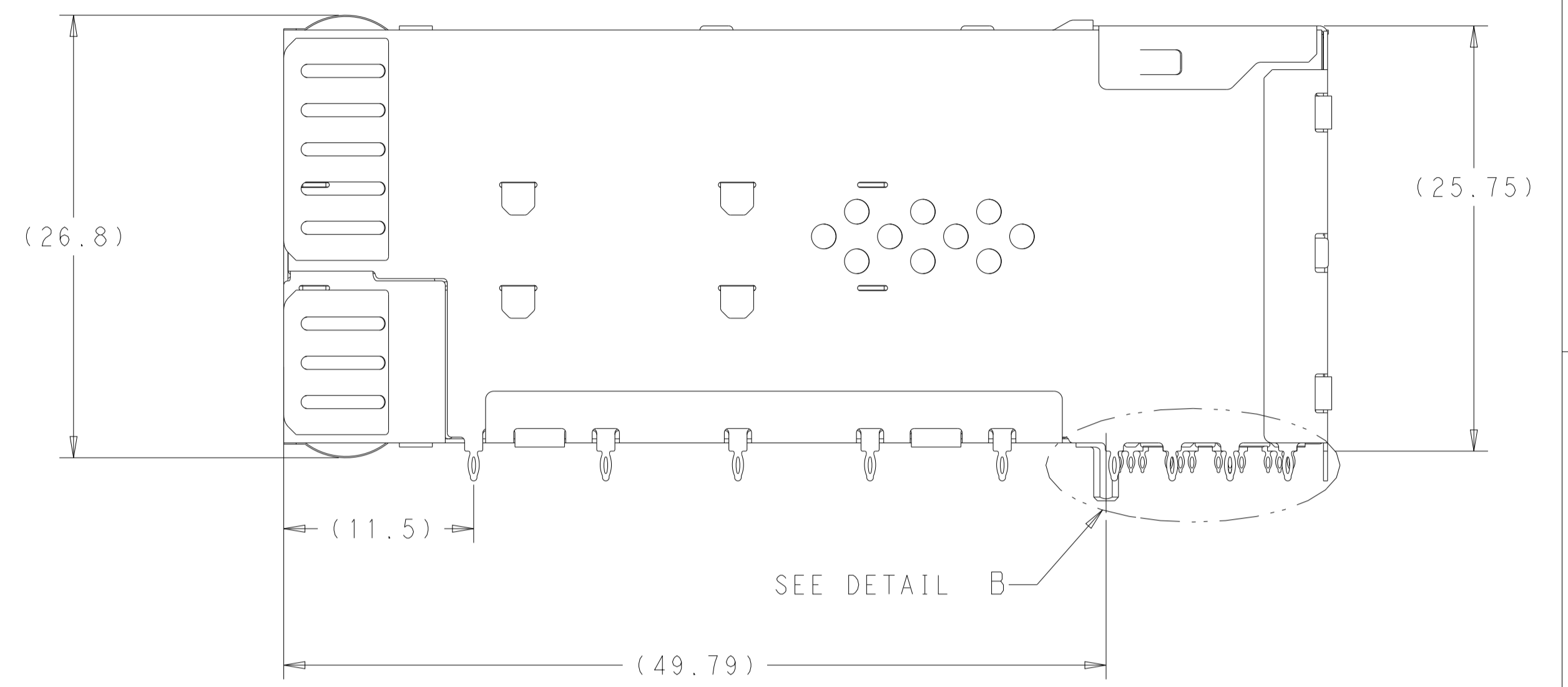
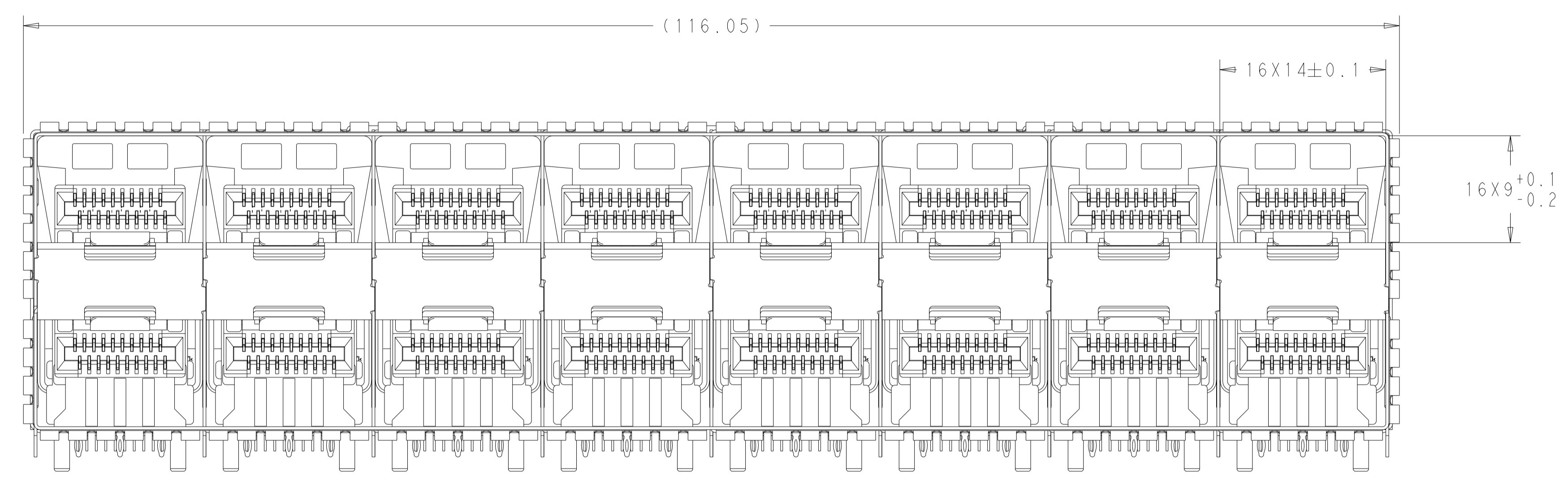
3-2340033-7
 UNMARKED DIMENSIONS
 SAME AS 3-2340033-6



| | | | |
|--|--|-------------------------------|---|
| THIS DRAWING IS A CONTROLLED DOCUMENT. | | OWN J. WANG 26 JUL 2018 | TE Connectivity |
| DIMENSIONS: | | CHK S. HAN 26 JUL 2018 | |
| mm | TOLERANCES UNLESS OTHERWISE SPECIFIED: | APVD S. HAN 26 JUL 2018 | NAME RECEPTACLE ASSEMBLY, 2X8, STACKED, SFP56 |
| | 0 PLC ±0.25 1 PLC ±0.25 2 PLC ±0.25 3 PLC ±0.25 4 PLC ±0.25 ANGLES ±° FINISH ±5° | PRODUCT SPEC 108-2481 | SIZE A1 |
| MATERIAL SEE NOTES | SEE NOTES | APPLICATION SPEC 114-13319 | CAGE CODE DRAWING NO 00779C=2340033 |
| CUSTOMER DRAWING | | WEIGHT | RESTRICTED TO |
| | | SCALE 1:1 | SHEET 4 OF 8 REV D1 |

| LOC | DIST | REVISIONS | | | | | |
|-----|------|-----------|-----|-------------|------|-----|------|
| GP | 00 | P | LTN | DESCRIPTION | DATE | DWN | APVD |
| | | - | | SEE SHEET 1 | - | - | - |

SPRING VERSION DIMENSIONS AND SPEC



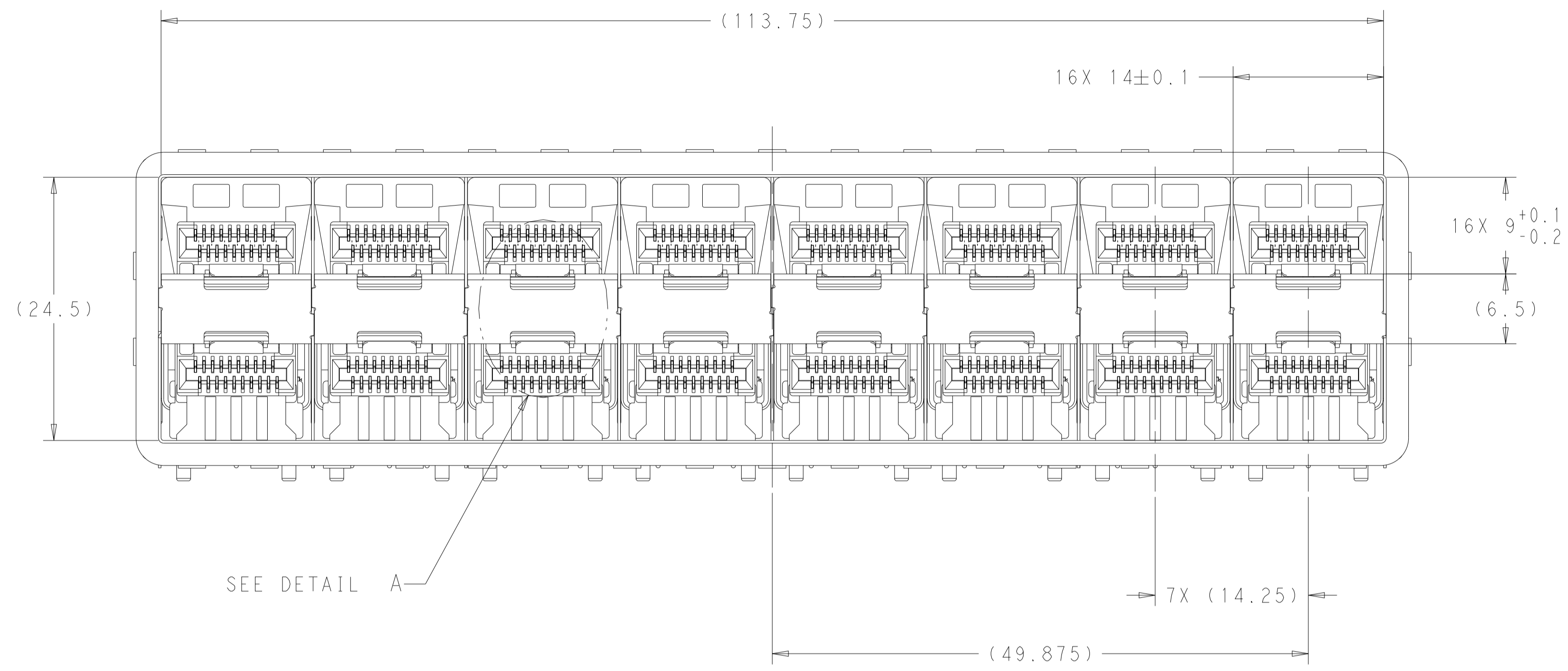
RECOMMENDED BEZEL LOCATION WITH EMI SPRINGS
 SCALE 5:2

PN 4-2340033-0 ONLY LASER MARK DATE CODE AND PART NUMBER IN APPROXIMATE LOCATION SHOWN

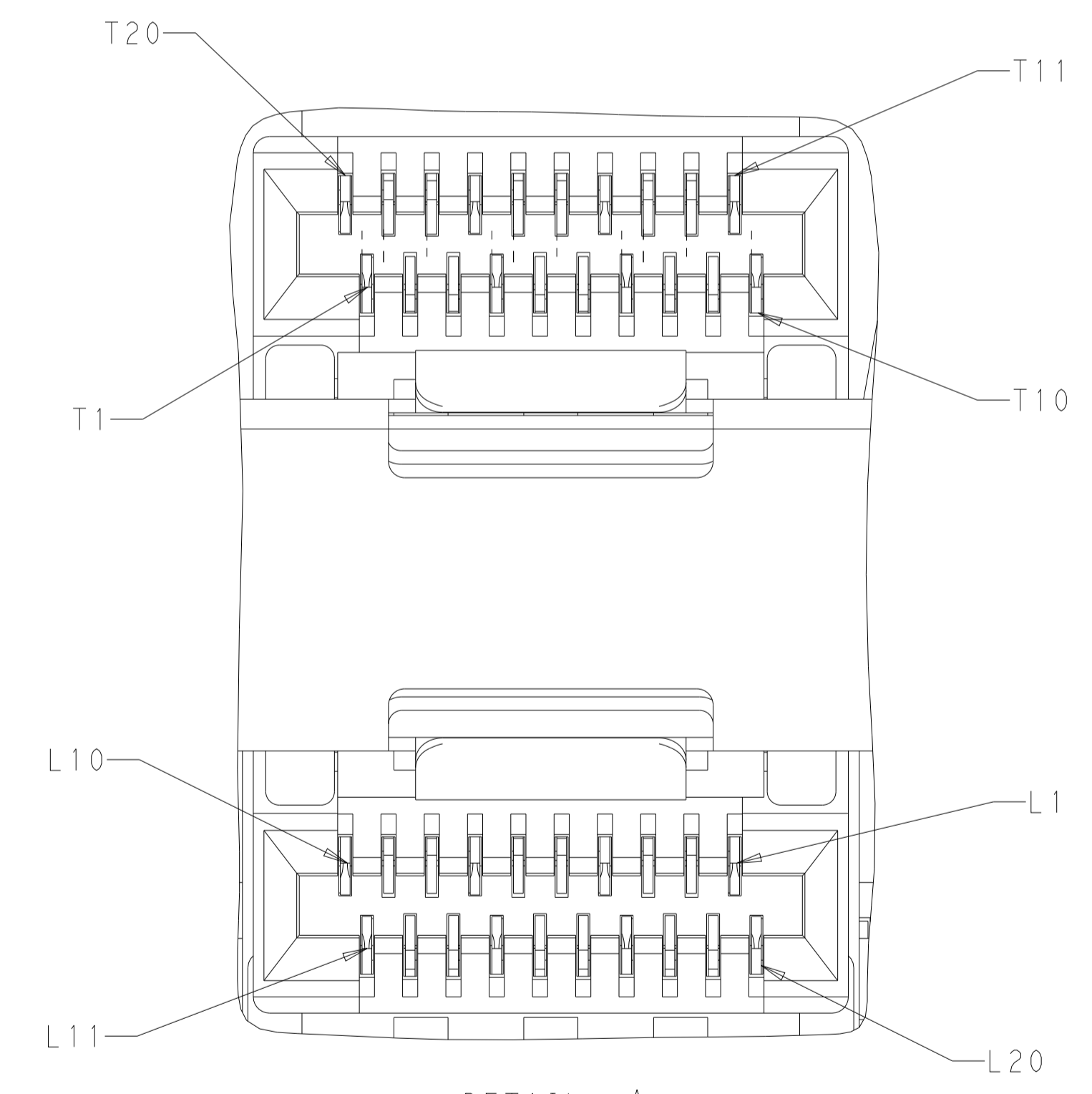
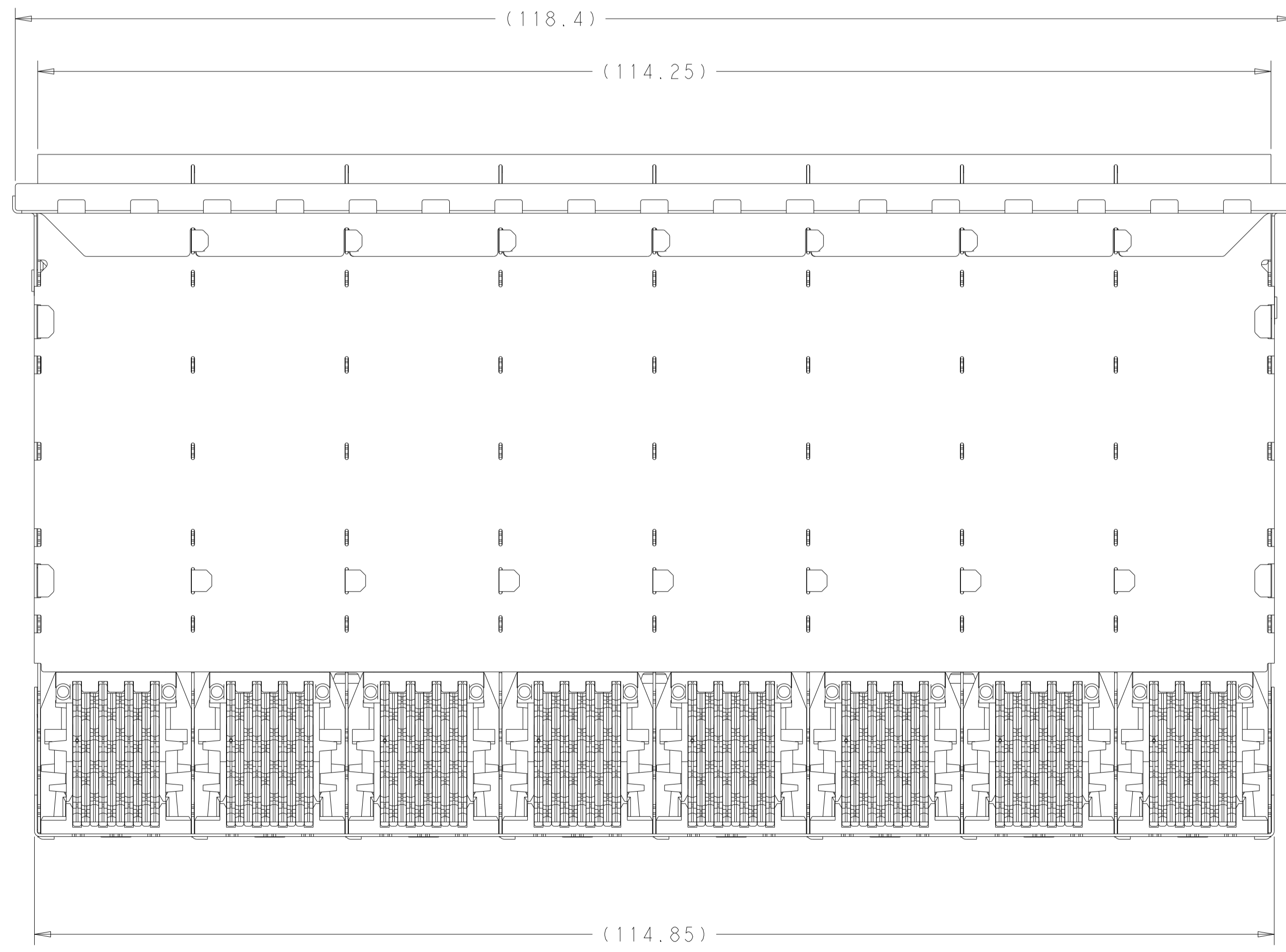
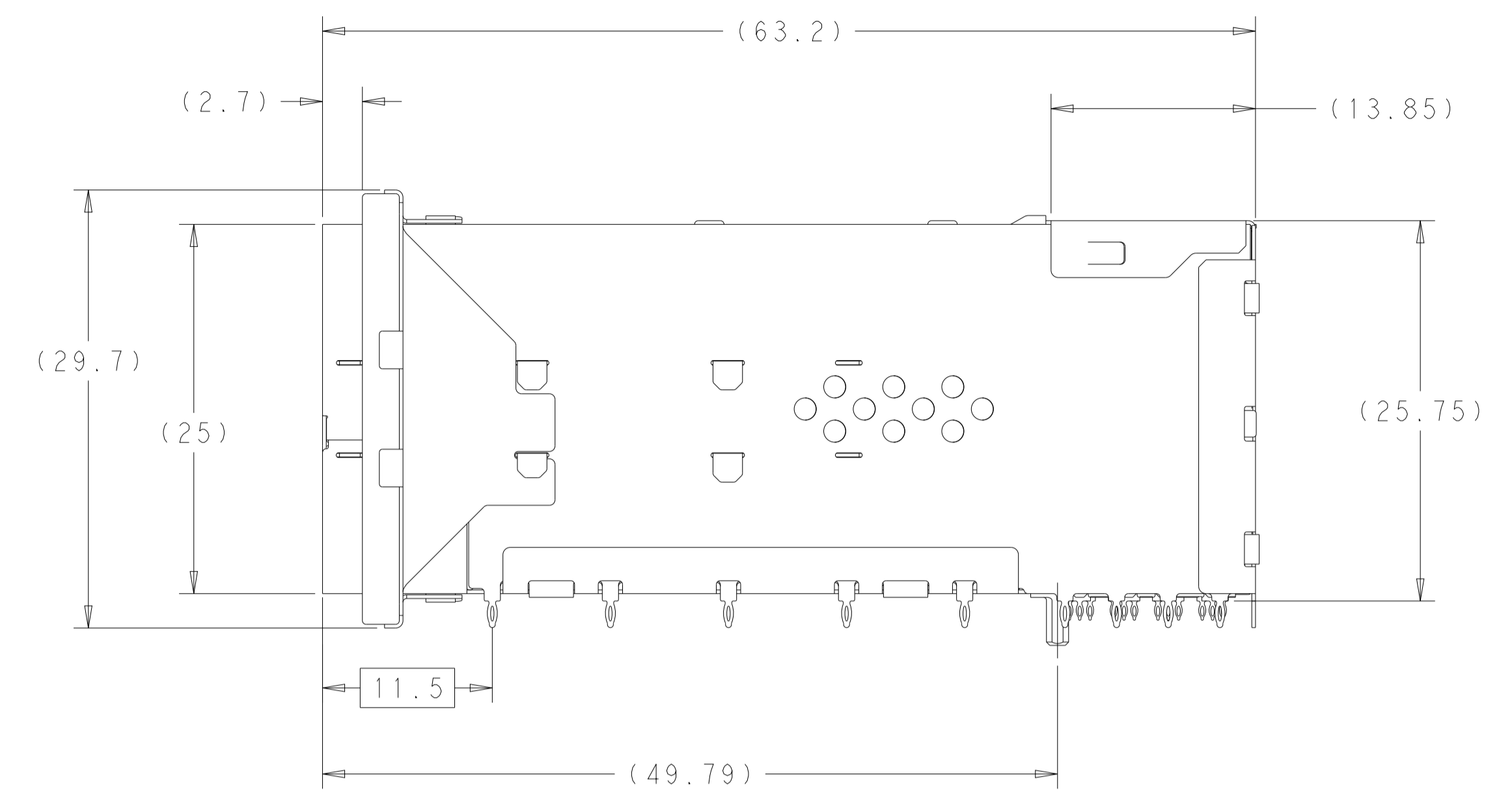
| | | | |
|--|--|-------------------------------|--|
| THIS DRAWING IS A CONTROLLED DOCUMENT. | | DWN J. WANG 26 JUL 2018 | TE Connectivity |
| DIMENSIONS: mm | | CHK S. HAN 26 JUL 2018 | |
| TOLERANCES UNLESS OTHERWISE SPECIFIED: | | APVD S. HAN 26 JUL 2018 | NAME RECEPTACLE ASSEMBLY, 2X8, STACKED, SFP56 |
| 0 PLC ±0.25 | | PRODUCT SPEC | SIZE 108-2481 |
| 1 PLC ±0.25 | | APPLICATION SPEC | RESTRICTED TO |
| 2 PLC ±0.25 | | ANGLES 114-13319 | SCALE A1 00779 ©=2340033 |
| 3 PLC ±0.25 | | FINISH ±0.5° | SCALE 1:1 |
| 4 PLC ±0.25 | | WEIGHT | SHEET 5 OF 8 |
| MATERIAL SEE NOTES | | CUSTOMER DRAWING | REV D1 |

| LOC | | DIST | | REVISIONS | | | |
|-----|-----|-------------|------|-----------|------|--|--|
| P | LTN | DESCRIPTION | DATE | DMN | APVD | | |
| - | - | SEE SHEET 1 | - | - | - | | |

GASKET VERSION DIMENSIONS AND SPEC



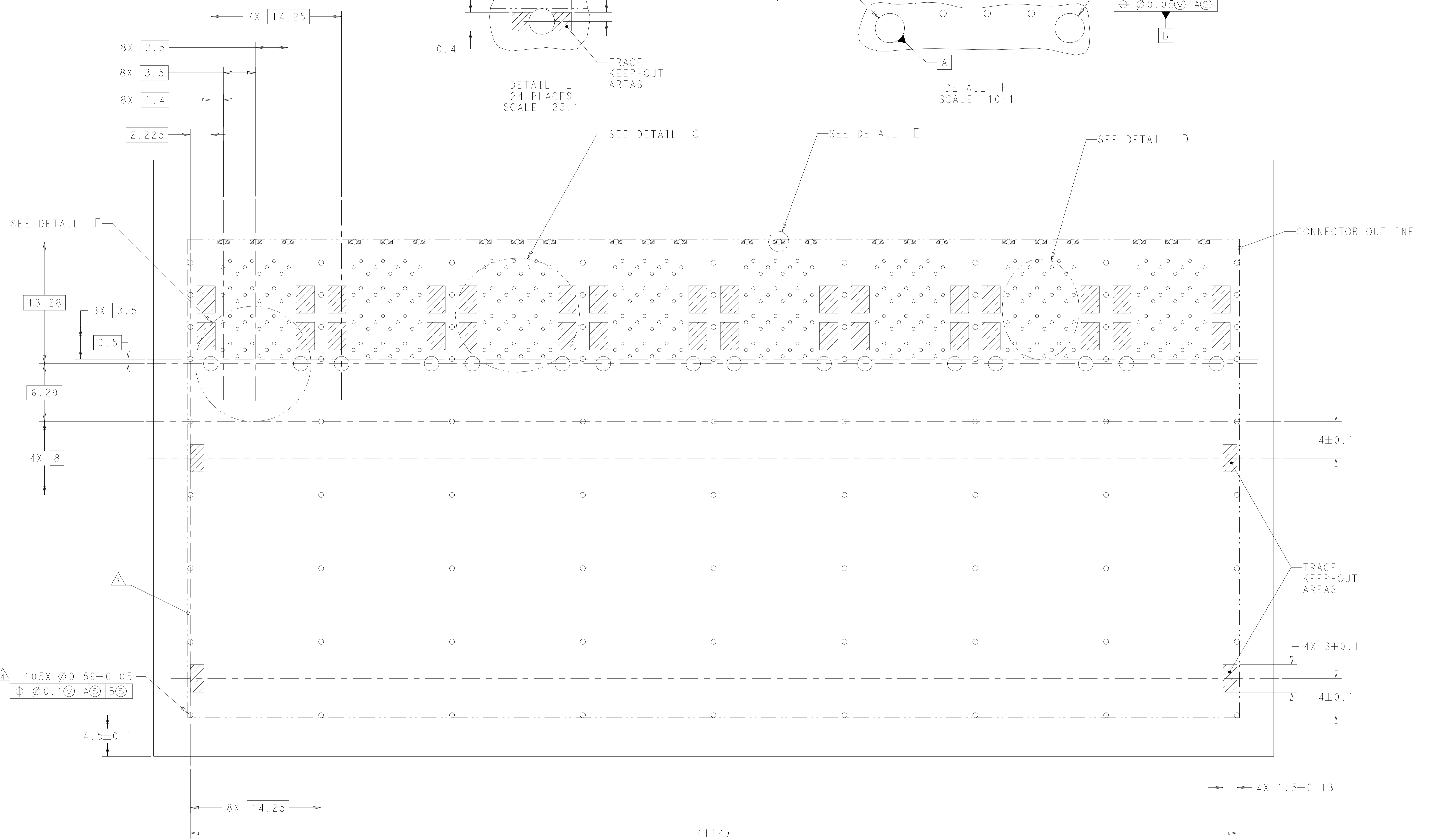
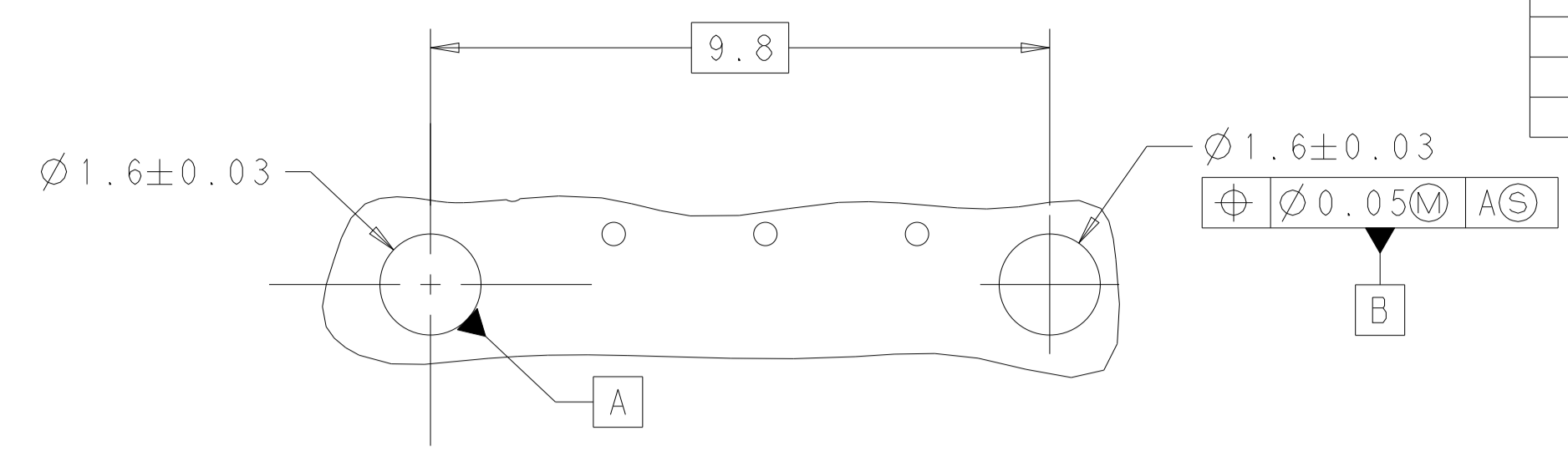
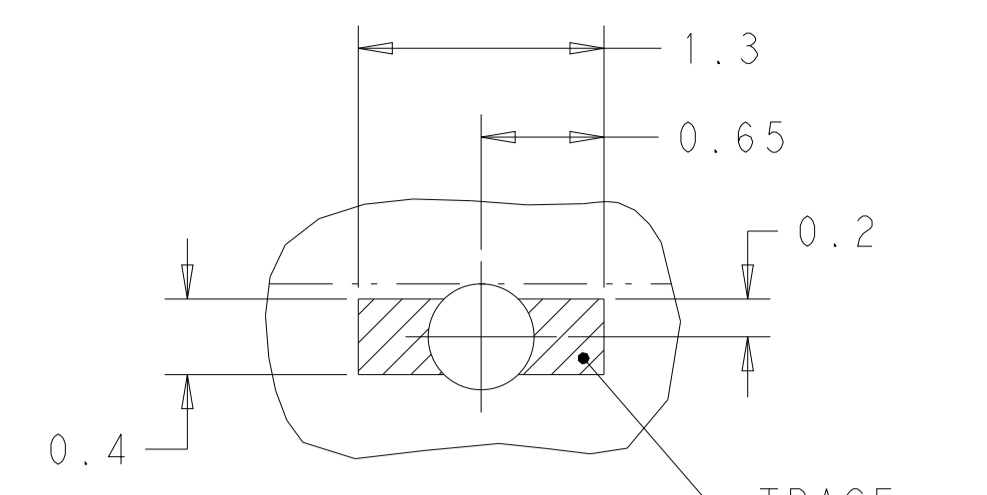
SEE DETAIL A



DETAIL A
 8X INDIVIDUALLY
 SCALE 10:1

| | | | |
|--|--|---|---|
| THIS DRAWING IS A CONTROLLED DOCUMENT. | | DMN J. WANG 26 JUL 2018 | TE Connectivity |
| DIMENSIONS: | | CHK S. HAN 26 JUL 2018 | |
| mm | TOLERANCES UNLESS OTHERWISE SPECIFIED: | APVD S. HAN 26 JUL 2018 | NAME RECEPTACLE ASSEMBLY, 2X8, STACKED, SFP56 |
| | 0 PLC ±0.25 1 PLC ±0.25 2 PLC ±0.25 3 PLC ±0.25 4 PLC ±0.25 ANGLES ±° FINISH ±5° | PRODUCT SPEC 108-2481 APPLICATION SPEC 114-13319 | SIZE A100779 |
| MATERIAL SEE NOTES | SEE NOTES | WEIGHT - | CAGE CODE C=2340033 |
| | | CUSTOMER DRAWING | RESTRICTED TO - |
| | | SCALE 1:1 | SHEET 6 OF 8 REV D1 |

| LOC | DIST | REVISIONS | | | | | |
|-----|------|-----------|-----|-------------|------|-----|------|
| GP | 00 | P | LYN | DESCRIPTION | DATE | DWN | APVD |
| | | - | - | SEE SHEET 1 | - | - | - |

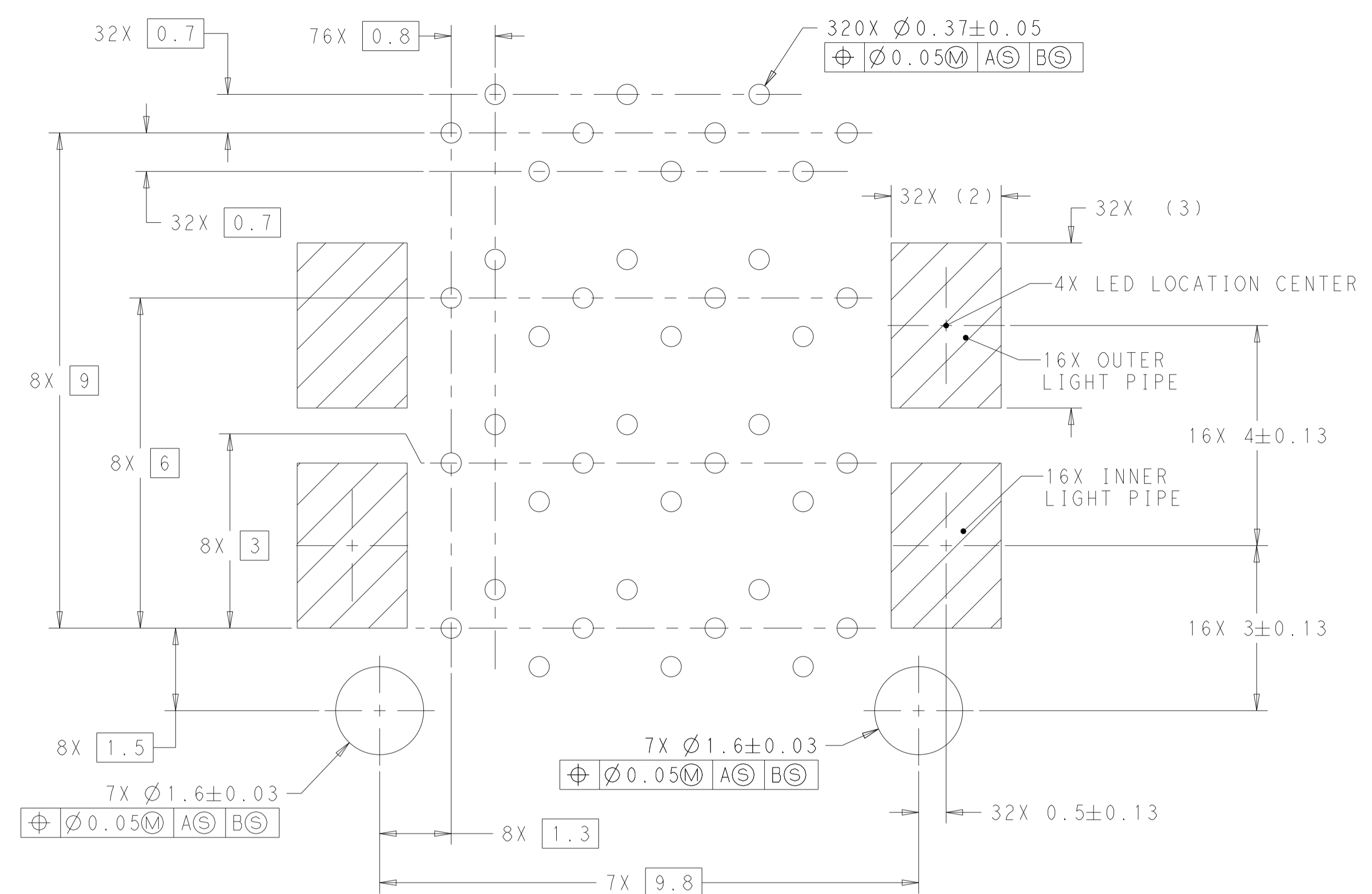


4 105X $\varnothing 0.56 \pm 0.05$
 $\oplus \varnothing 0.1 M A \textcircled{S} B \textcircled{S}$

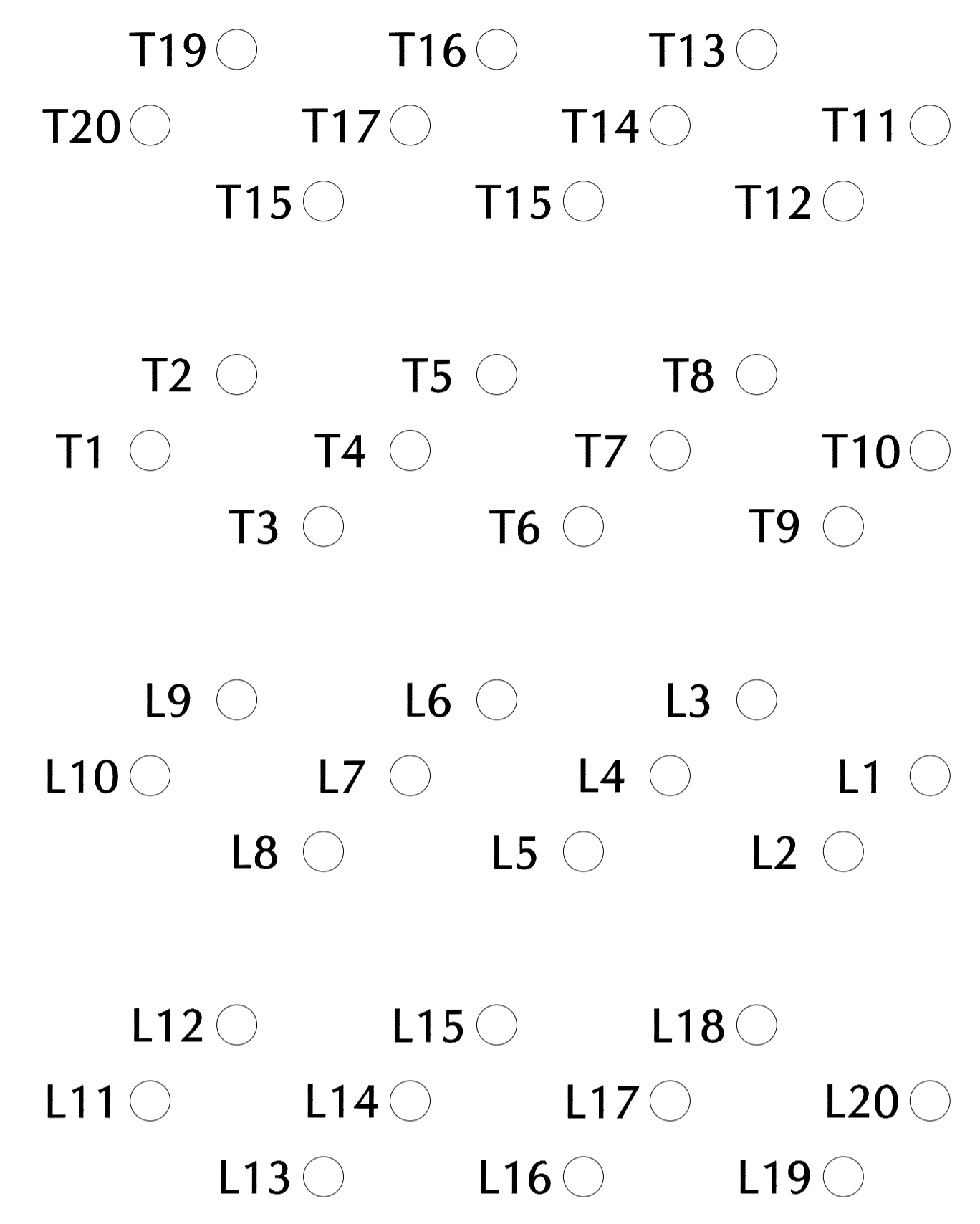
RECOMMENDED PCB LAYOUT
 SCALE 5:1

| | | | | | | | | | | | | | | | | | |
|--|-------|-------------------------------|---|-------|-------|-------|-------|-------|-------|-------|-------|--------|----|--------|-----|--------------------------|------------|
| THIS DRAWING IS A CONTROLLED DOCUMENT. | | DWN J. WANG 26 JUL 2018 | TE Connectivity | | | | | | | | | | | | | | |
| DIMENSIONS: mm | | CHK S. HAN 26 JUL 2018 | | | | | | | | | | | | | | | |
| TOLERANCES UNLESS OTHERWISE SPECIFIED: | | APVD S. HAN 26 JUL 2018 | NAME RECEPTACLE ASSEMBLY, 2X8, STACKED, SFP56 | | | | | | | | | | | | | | |
| <table border="1"> <tr><td>0 PLC</td><td>±0.25</td></tr> <tr><td>1 PLC</td><td>±0.25</td></tr> <tr><td>2 PLC</td><td>±0.25</td></tr> <tr><td>3 PLC</td><td>±0.25</td></tr> <tr><td>4 PLC</td><td>±0.25</td></tr> <tr><td>ANGLES</td><td>±°</td></tr> <tr><td>FINISH</td><td>±5°</td></tr> </table> | | 0 PLC | ±0.25 | 1 PLC | ±0.25 | 2 PLC | ±0.25 | 3 PLC | ±0.25 | 4 PLC | ±0.25 | ANGLES | ±° | FINISH | ±5° | PRODUCT SPEC 108-2481 | SIZE A1 |
| 0 PLC | ±0.25 | | | | | | | | | | | | | | | | |
| 1 PLC | ±0.25 | | | | | | | | | | | | | | | | |
| 2 PLC | ±0.25 | | | | | | | | | | | | | | | | |
| 3 PLC | ±0.25 | | | | | | | | | | | | | | | | |
| 4 PLC | ±0.25 | | | | | | | | | | | | | | | | |
| ANGLES | ±° | | | | | | | | | | | | | | | | |
| FINISH | ±5° | | | | | | | | | | | | | | | | |
| MATERIAL SEE NOTES | | APPLICATION SPEC 114-13319 | CAGE CODE C=2340033 | | | | | | | | | | | | | | |
| | | WEIGHT | RESTRICTED TO | | | | | | | | | | | | | | |
| | | CUSTOMER DRAWING | SCALE 1:1 SHEET 7 OF 8 REV D1 | | | | | | | | | | | | | | |

| LOC | DIST | REV | DESCRIPTION | DATE | OWN | APVD |
|-----|------|-----|-------------|------|-----|------|
| GP | 00 | | SEE SHEET 1 | | | |

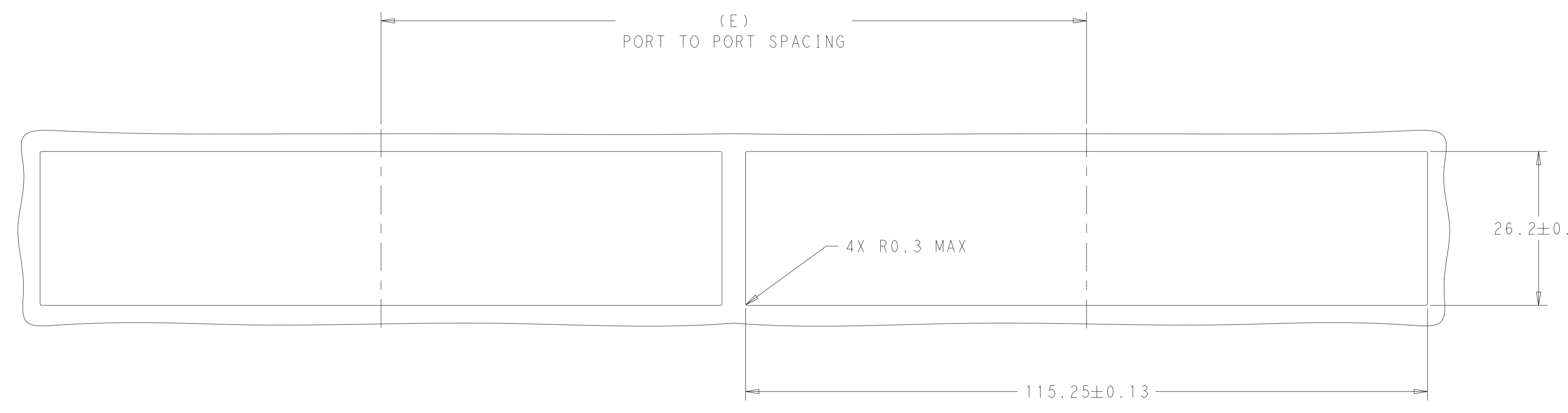


DETAIL C
 RECOMMENDED PIN AND LIGHT PIPE LAYOUT
 SCALE 15:1

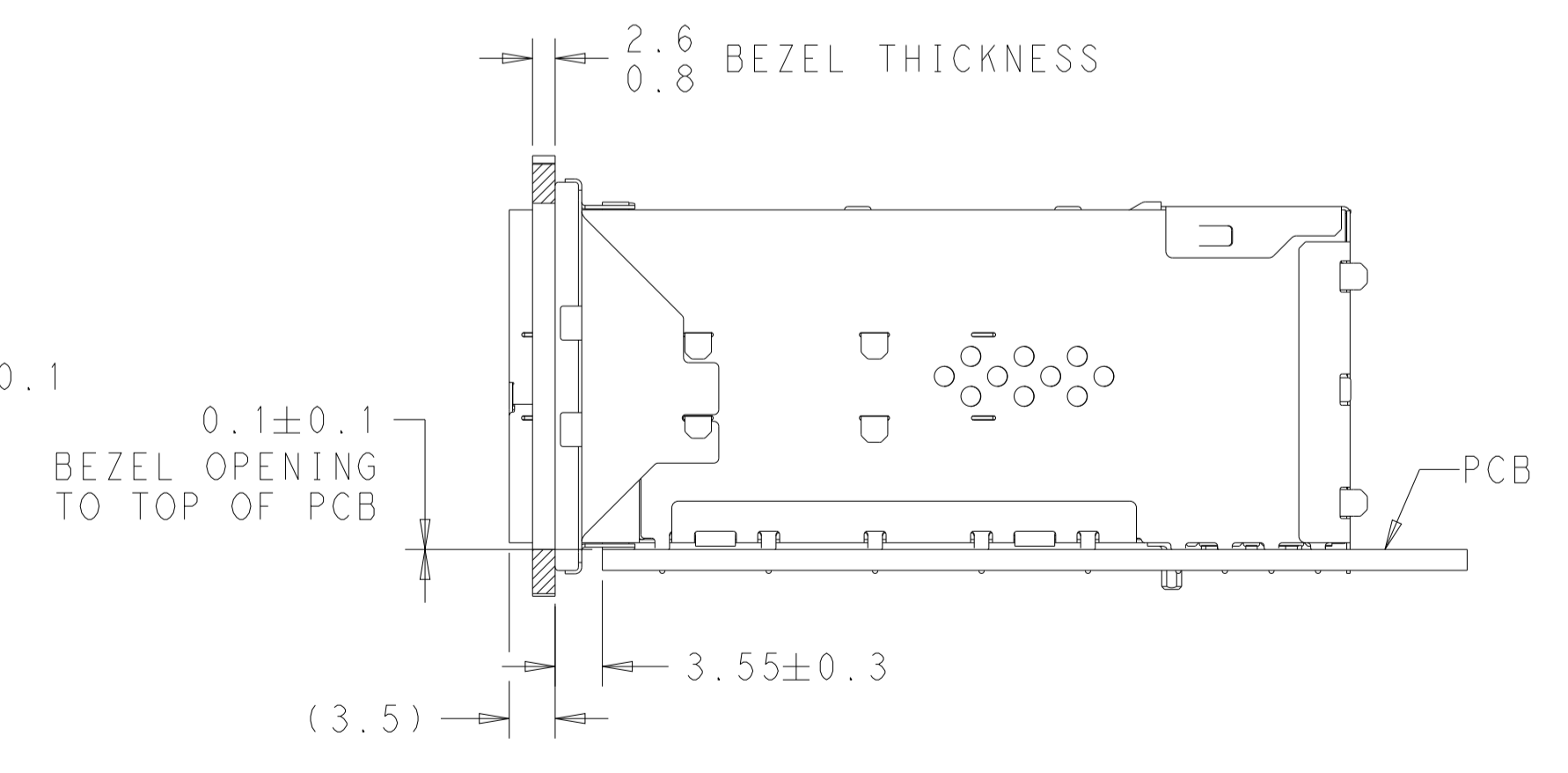


| PIN MAP LEGEND | |
|----------------|------------|
| PIN NUMBER | FUNCTION |
| L1/T1 | VEET |
| L2/T2 | TX-FAULT |
| L3/T3 | TX-DISABLE |
| L4/T4 | SDA |
| L5/T5 | SCL |
| L6/T6 | MOD_ABS |
| L7/T7 | RSO |
| L8/T8 | RX_LOS |
| L9/T9 | RS1 |
| L10/T10 | VEER |
| L11/T11 | VEER |
| L12/T12 | RD- |
| L13/T13 | RD+ |
| L14/T14 | VEER |
| L15/T15 | VCCR |
| L16/T16 | VCCT |
| L17/T17 | VEET |
| L18/T18 | TD+ |
| L19/T19 | TD- |
| L20/T20 | VEET |

DETAIL D
 PIN MAP
 8X PLACES
 SCALE 20:1



RECOMMENDED BEZEL CUT-OUT DETAIL
 SCALE 2:1



RECOMMENDED BEZEL LOCATION WITH EMI GASKET
 SCALE 2:1

| | | | |
|--|--|--|---|
| THIS DRAWING IS A CONTROLLED DOCUMENT. | | OWN: J. WANG 26 JUL 2018 | TE Connectivity |
| DIMENSIONS: mm | | CHK: S. HAN 26 JUL 2018 | |
| TOLERANCES UNLESS OTHERWISE SPECIFIED: | | APVD: S. HAN 26 JUL 2018 | NAME: RECEPTACLE ASSEMBLY, 2X8, STACKED, SFP56 PRODUCT SPEC: 108-2481 APPLICATION SPEC: 114-13319 |
| 0 PLC ±0.25 1 PLC ±0.25 2 PLC ±0.25 3 PLC ±0.25 4 PLC ±0.25 ANGLES ±° FINISH ±μm | | SIZE: A1 CAGE CODE: 00779 DRAWING NO: 2340033 WEIGHT: - CUSTOMER DRAWING | |
| MATERIAL: SEE NOTES | | SCALE: 1:1 SHEET 8 OF 8 REV: D1 | |

X-ON Electronics

Largest Supplier of Electrical and Electronic Components

Click to view similar products for [I/O Connectors](#) category:

Click to view products by [TE Connectivity](#) manufacturer:

Other Similar products are found below :

[571763P](#) [58098-0628](#) [72.250.1628.2](#) [72.250.2428.2](#) [74720-0505](#) [76.350.0729.0](#) [76871-1403](#) [FCN-244F080-G/1](#) [FCN-260A9920](#) [PCR-E36PM](#) [PCS-XE26MA+](#) [G38A71314B](#) [1571250010](#) [157-22500-3](#) [MS3471L14-19P L/C](#) [172501-4002](#) [172501-6002](#) [FCN-260C008-A/L0](#) [FCN-260C024-AL0](#) [FCN-261Z008](#) [2000314-1](#) [200331-1](#) [PCR-E36FC+](#) [PCS-E28FS+](#) [PCS-XE26SLFD+](#) [PCS-XE26SLFDT+](#) [G730VID08BDC24](#) [U90B2054081210](#) [38113800006](#) [DP3AR020WQ1R200](#) [Z4.102.0680.0](#) [500-1040](#) [500-1052](#) [500-1054](#) [ZP-4008-66L](#) [0709821002](#) [DX40-20P\(55\)](#) [5554841-1](#) [MS3474W18-8P-LC*](#) [U90B3054061110](#) [U65-E04-4020](#) [ZPF000000000097891](#) [747360449](#) [10099439-003C-TRLF](#) [10137239-0021LF](#) [E9320-001-01](#) [10137239-0011LF](#) [70289-001LF](#) [70.060.1028.0](#) [109029-ZZ](#)