

- MATERIALS:
 CAGE ASSEMBLY - NICKEL-SILVER ALLOY PER ASTM B 122
 CONNECTOR HOUSING - LCP, BLACK, UL 94V-0 RATED
 CHICKLET - LCP, BLACK, UL 94V-0 RATED
 CHICKLET ALIGNMENT CLIP - LCP, BLACK, UL 94V-0 RATED
 CONTACT - COPPER ALLOY
 EMI GASKET - ELASTOMERIC
 GASKET FLANGE - STAINLESS STEEL
 EMI SPRINGS - PHOSPHOR BRONZE PER ASTM B 103,
 0.8µm MIN TIN PER ASTM B 545
 LIGHT PIPE - POLYCARBONATE
 LIGHT PIPE PLATE - STAINLESS STEEL

- CONTACT FINISH:
 0.76µm MIN GOLD PER ASTM B 844 AT MATING INTERFACE,
 1.25µm MIN MATTE TIN PER ASTM B 545 AT PCB INTERFACE
 ALLOVER 2.54µm MIN NICKEL PER QQ-N-290.

- PCB MINIMUM THICKNESS = 1.5mm

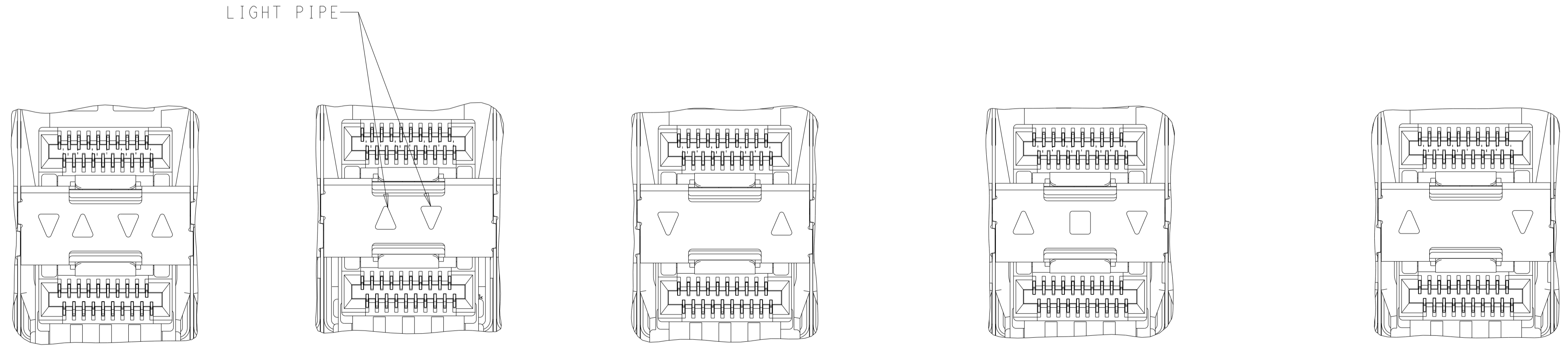
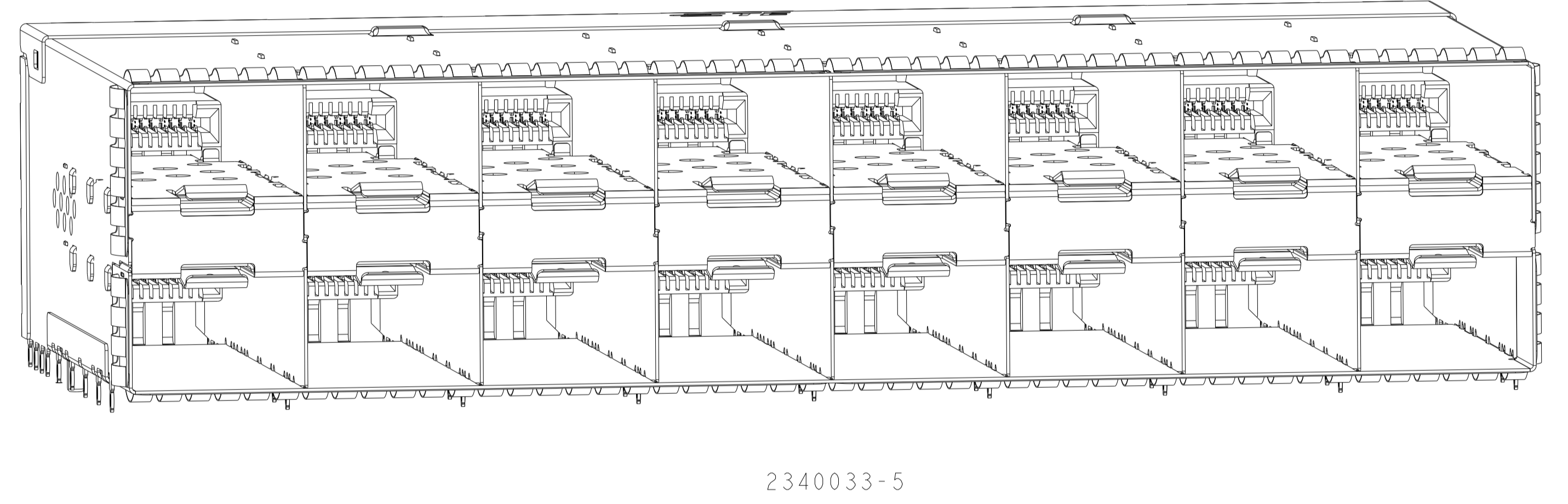
- △ FOR HOLE SIZE AND PLATINGS,
 SEE APPLICATION SPECIFICATION 114-13319

- △ LIGHT PIPE PAD LAYOUT IS FOR 0805 LOW PROFILE
 LED PACKAGE WITH A HEIGHT OF 0.8mm

- △ DIMENSIONS APPLY FOR EMI SPRINGS ONLY

- △ THE ENTIRE AREA OF THE CONNECTOR FOOTPRINT,
 INDICATED BY THE DASHED LINE, TO BE CONSIDERED
 THE KEEPOUT AREA FOR COMPONENTS AND SIGNAL TRACES,
 TOP SIDE ONLY, TOP SIDE TRACES ALLOWED WITHIN
 CONNECTOR HOLE PATTERN

- △ THE DIMENSIONS APPLY TO 4-2340033-0 ONLY.



INNER/OUTER LIGHT PIPE
 2340033-2, 2340033-6
 SCALE 4:1

INNER LIGHT PIPE
 2340033-3, 2340033-7
 4-2340033-0
 SCALE 4:1

OUTER LIGHT PIPES
 2340033-4, 2340033-8
 SCALE 4:1

CENTER/REVERSED OUTER LIGHT PIPES
 1-2340033-7, 1-2340033-9
 SCALE 4:1

REVERSED OUTER LIGHT PIPES
 1-2340033-8, 2-2340033-0
 SCALE 4:1

LOC	DIST	REVISIONS			
GP	00	REV	DATE	BY	CHK
		C	13OCT2020	JY	SH
		D	26OCT2020	JY	SH
		D1	22APR2021	SZ	SZ

DESCRIPTION	DATE	BY	CHK	APVD
REVISD PER ECO-20-014521	13OCT2020	JY	SH	
ECO-20-017955	26OCT2020	JY	SH	
ADD NEW DASH NUMBER 3-2340033-6/7	22APR2021	SZ	SZ	

DESCRIPTION	DATE	BY	CHK	APVD
THERMAL HOLE TOP SURFACE		INNER		4-2340033-0
EMI SPRINGS, CUSTOMIZED VENT HOLES		NONE		3-2340033-7
EMI SPRINGS, CUSTOMIZED VENT HOLES		INNER		3-2340033-6
EMI SPRING AIRFLOW ENHANCE TYPE		REVERSED OUTER		3-2340033-5
EMI SPRINGS, CUSTOMIZED THERMAL ENHANCE		INNER		3-2340033-4
EMI SPRINGS, TAPE AIRFLOW ENHANCE TYPE		NONE		3-2340033-3
EMI GASKET LOW PROFILE FLANGE		INNER		3-2340033-2
EMI SPRINGS AIRFLOW ENHANCE TYPE		NONE		3-2340033-1
EMI GASKET AIRFLOW ENHANCE TYPE		NONE		3-2340033-0
EMI SPRINGS		REVERSED OUTER		2-2340033-0
		CENTER/REVERSED OUTER		1-2340033-9
EMI GASKET		REVERSED OUTER		1-2340033-8
		CENTER/REVERSED OUTER		1-2340033-7
EMI SPRING WITH NICKEL PLATING ONLY		OUTER		1-2340033-2
		INNER		1-2340033-1
		INNER/OUTER		1-2340033-0
		NONE		2340033-9
		OUTER		2340033-8
		INNER		2340033-7
		INNER/OUTER		2340033-6
		NONE		2340033-5
		OUTER		2340033-4
EMI GASKET		INNER		2340033-3
		INNER/OUTER		2340033-2
		NONE		2340033-1
(E) CAGE TYPE		LIGHT PIPE CONFIGURATION		PART NUMBER

THIS DRAWING IS A CONTROLLED DOCUMENT.

OWN: J. WANG 26 JUL 2018
 CHK: S. HAN 26 JUL 2018
 APVD: S. HAN 26 JUL 2018

NAME: RECEPTACLE ASSEMBLY, 2X8, STACKED, SFP56

PRODUCT SPEC: 108-2481
 APPLICATION SPEC: 114-13319

SIZE: A1
 CAGE CODE: 00779
 DRAWING NO: 2340033

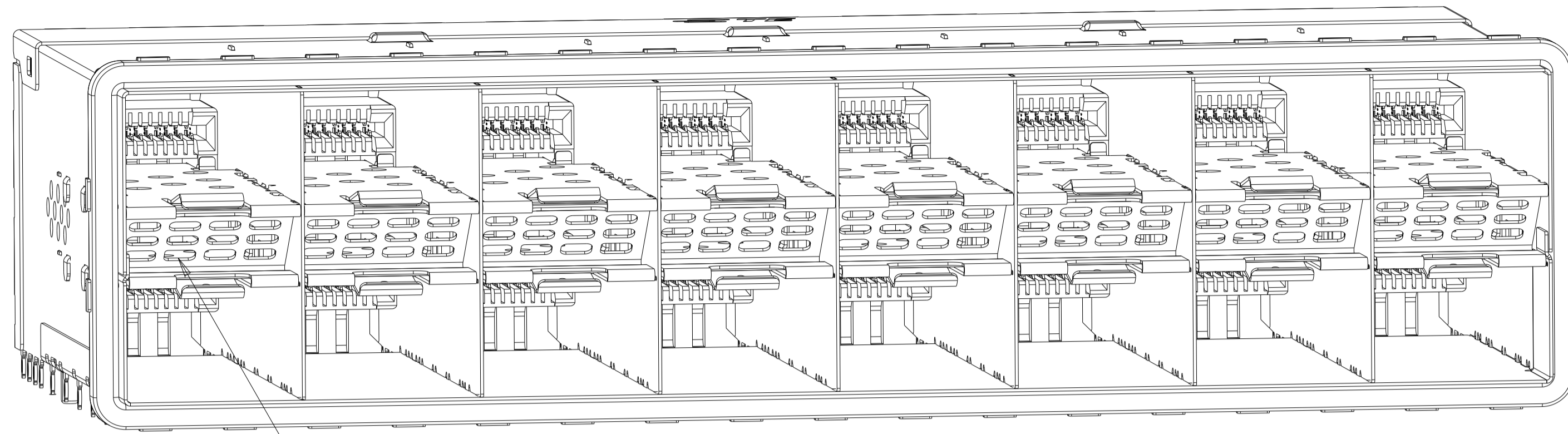
RESTRICTED TO: -

SCALE: 1:1 SHEET 1 OF 8 REV: D1

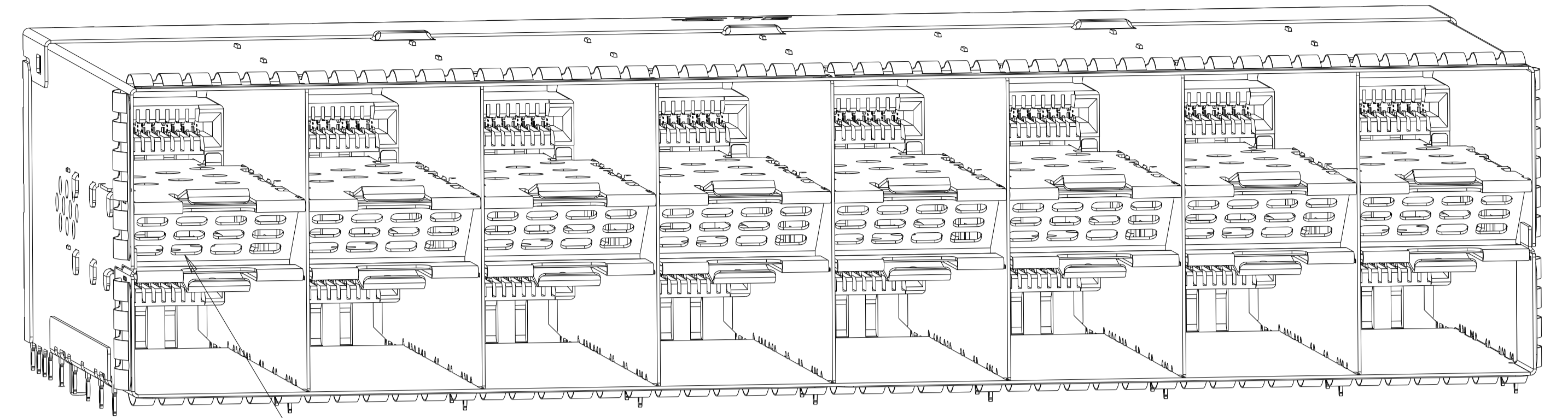
CUSTOMER DRAWING

LOC		DIST		REVISIONS			
GP	00	P	LYR	DESCRIPTION	DATE	OWN	APVD
				SEE SHEET 1			

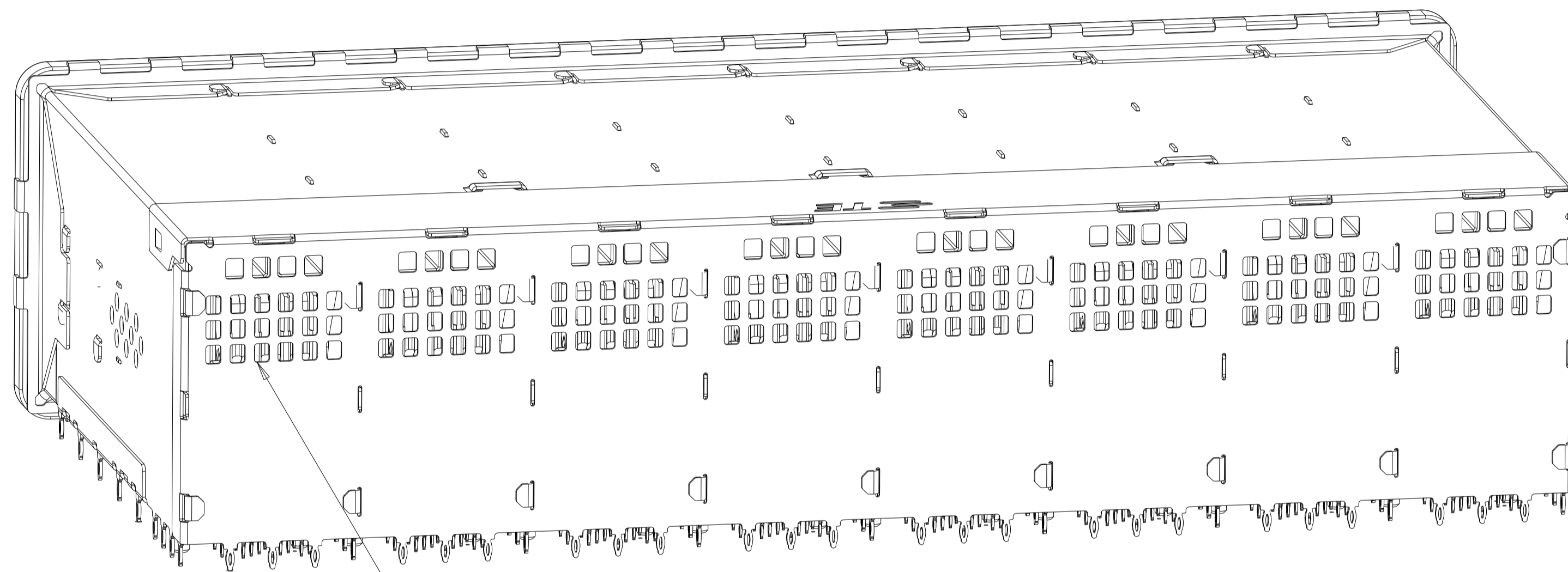
AIRFLOW ENHANCE TYPE



AIR VENTS

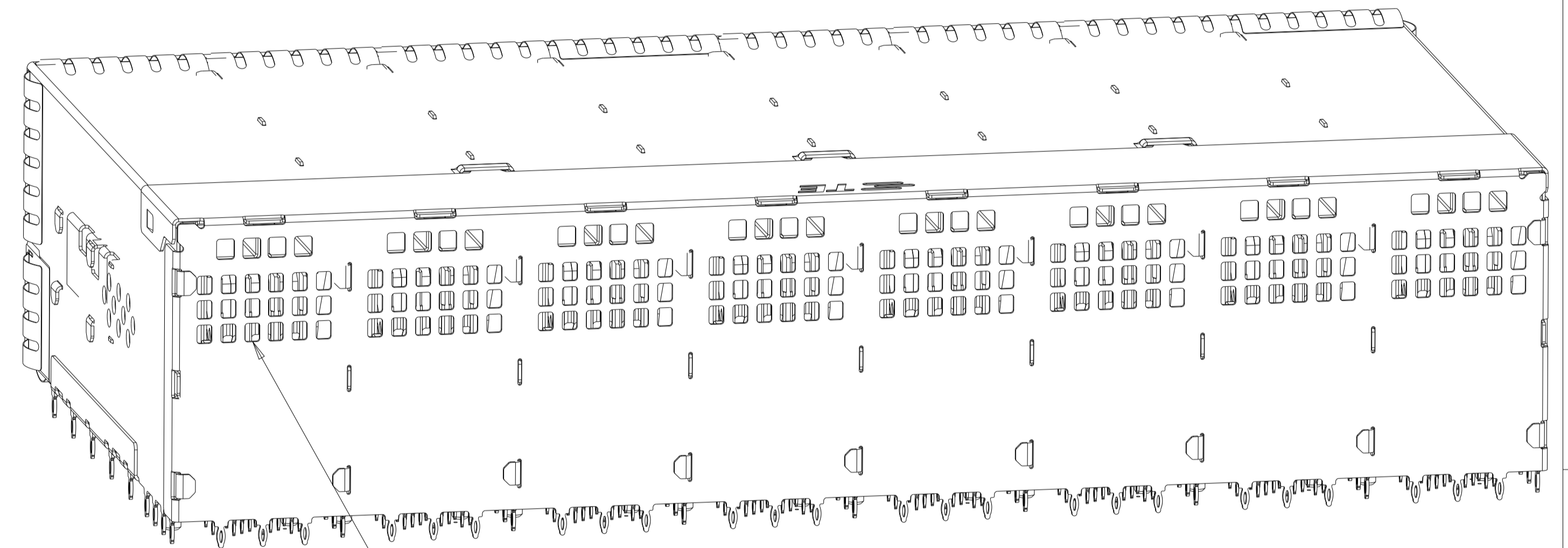


AIR VENTS



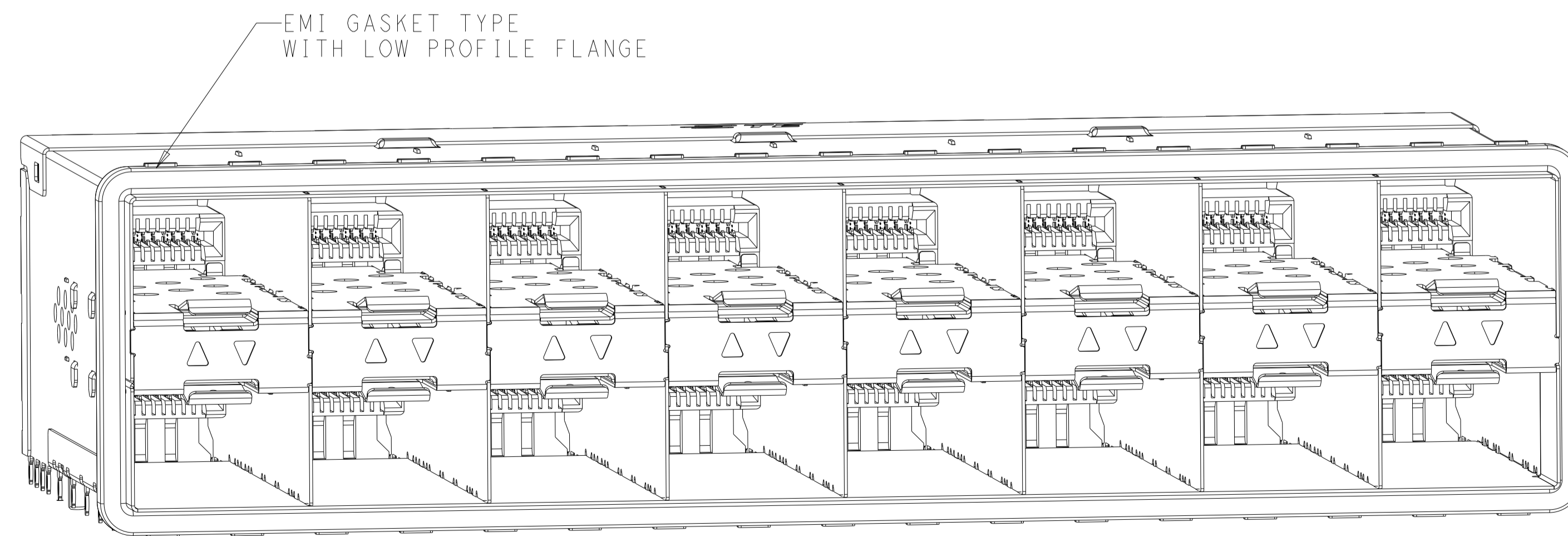
AIR VENTS

3-2340033-0
EMI GASKET TYPE

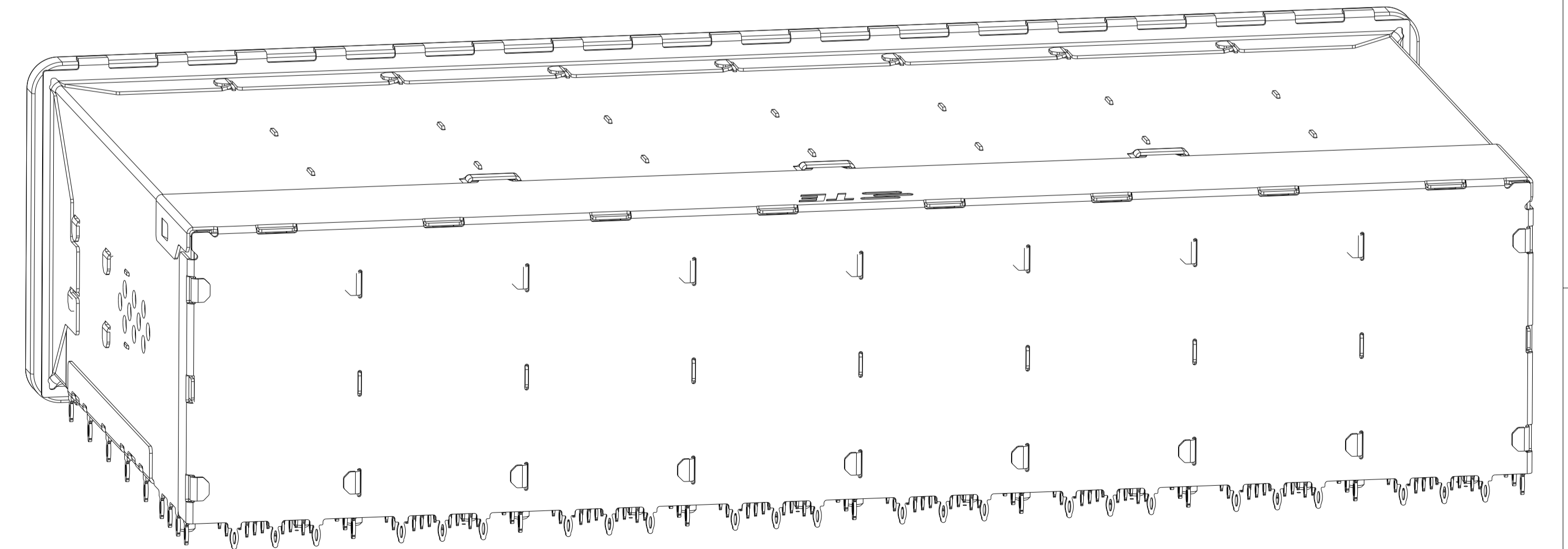


AIR VENTS

3-2340033-1
EMI SPRING TYPE



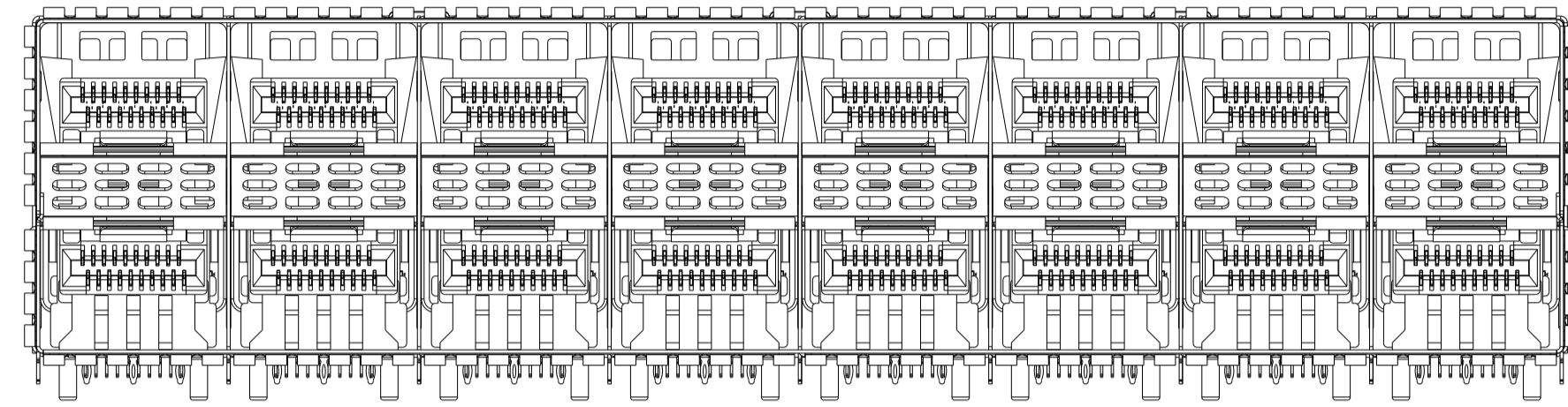
EMI GASKET TYPE
WITH LOW PROFILE FLANGE



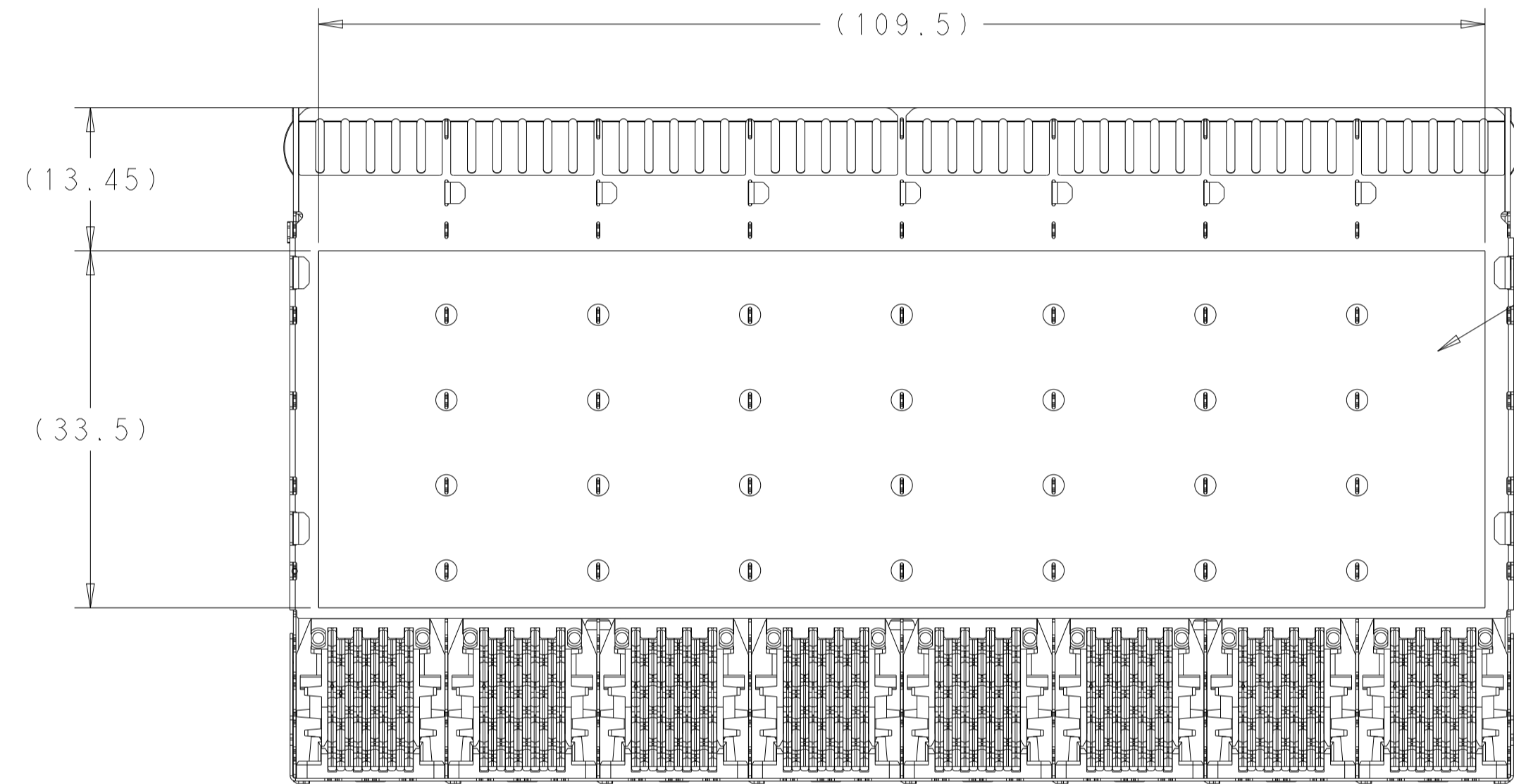
3-2340033-2

THIS DRAWING IS A CONTROLLED DOCUMENT.		OWN J. WANG 26 JUL 2018	
		CHK S. HAN 26 JUL 2018	
DIMENSIONS:		APVD S. HAN 26 JUL 2018	NAME
mm		PRODUCT SPEC	RECEPTACLE ASSEMBLY, 2X8, STACKED, SFP56
		108-2481	SIZE
0 PLC ±0.25 1 PLC ±0.25 2 PLC ±0.25 3 PLC ±0.25 4 PLC ±0.25 ANGLES ±° FINISH ±°		APPLICATION SPEC	CAGE CODE DRAWING NO
MATERIAL SEE NOTES		114-13319	A100779C=2340033
		WEIGHT	RESTRICTED TO
		CUSTOMER DRAWING	SCALE 1:1 SHEET 2 OF 8 REV D1

3-2340033-3
 UNMARKED DIMENSIONS
 SAME AS 3-2340033-1

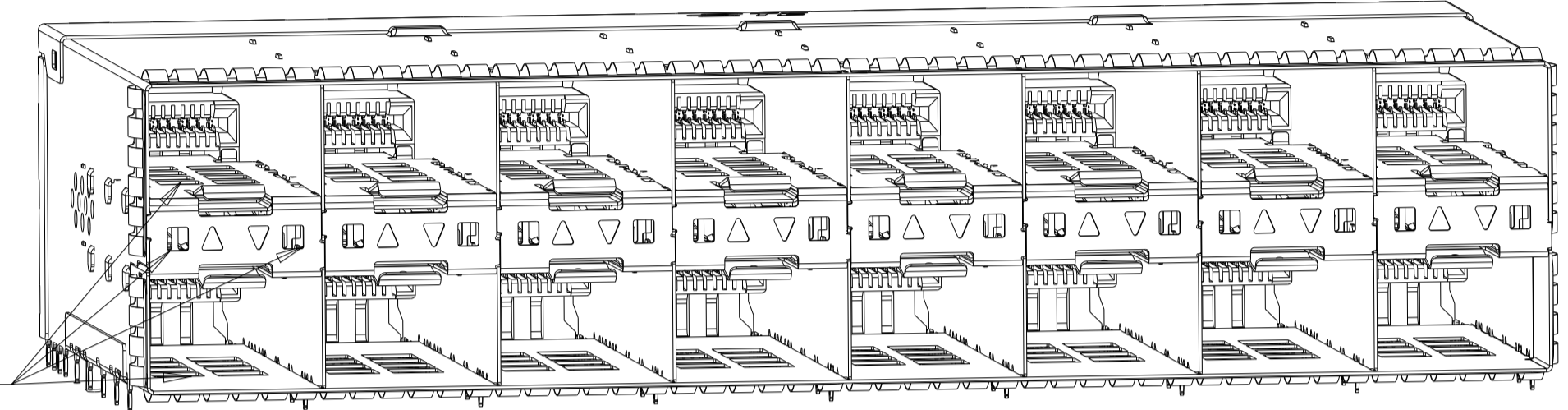


SCALE 2:1



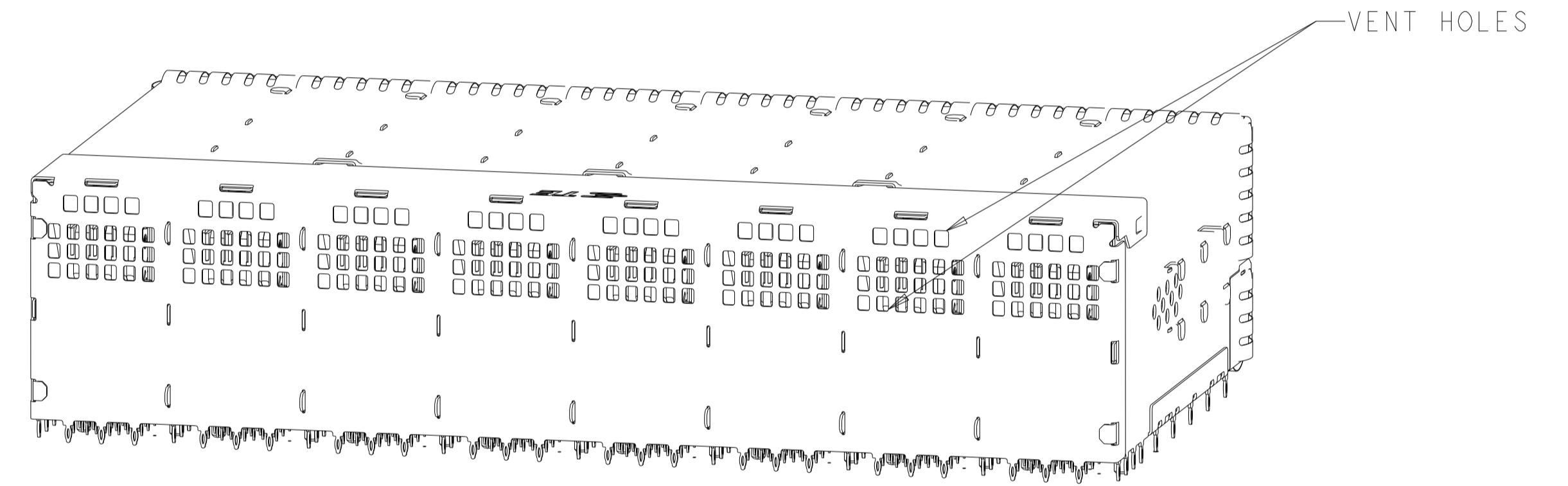
INSULATION TAPE

3-2340033-4
 UNMARKED DIMENSIONS
 SAME AS 3-2340033-1



VENT HOLES

SCALE 2:1



VENT HOLES

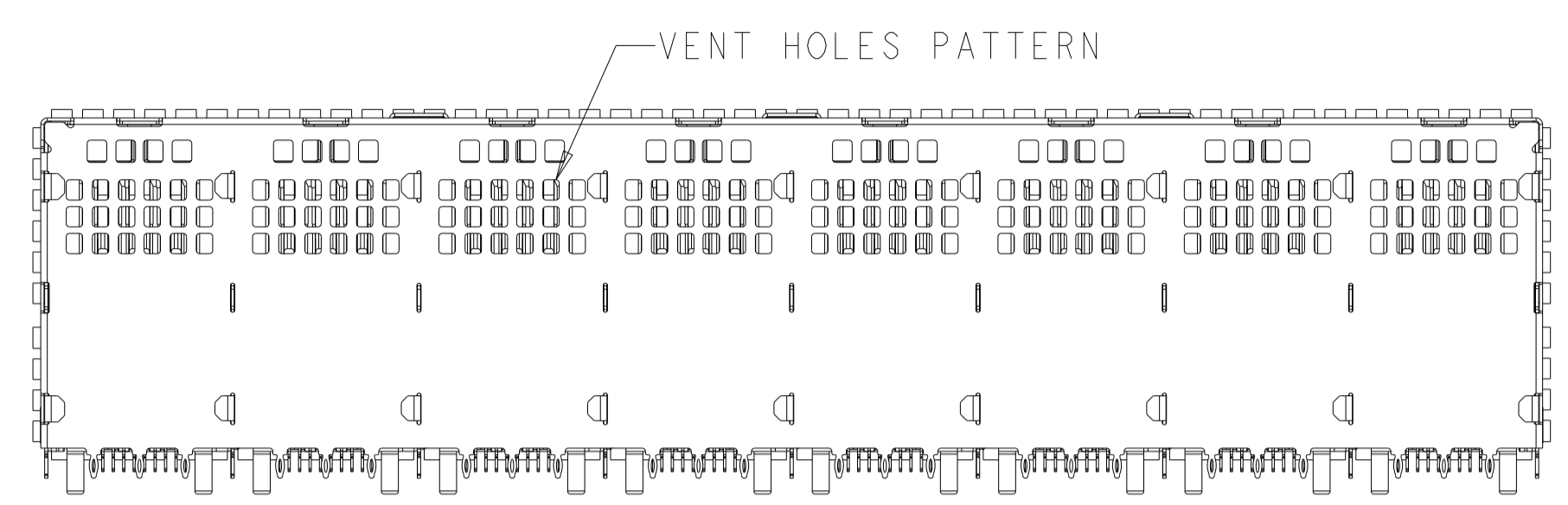
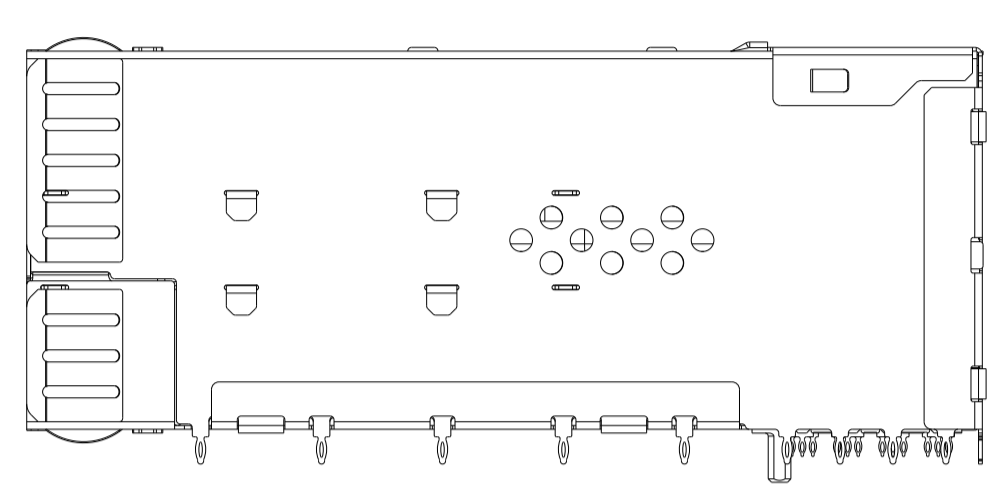
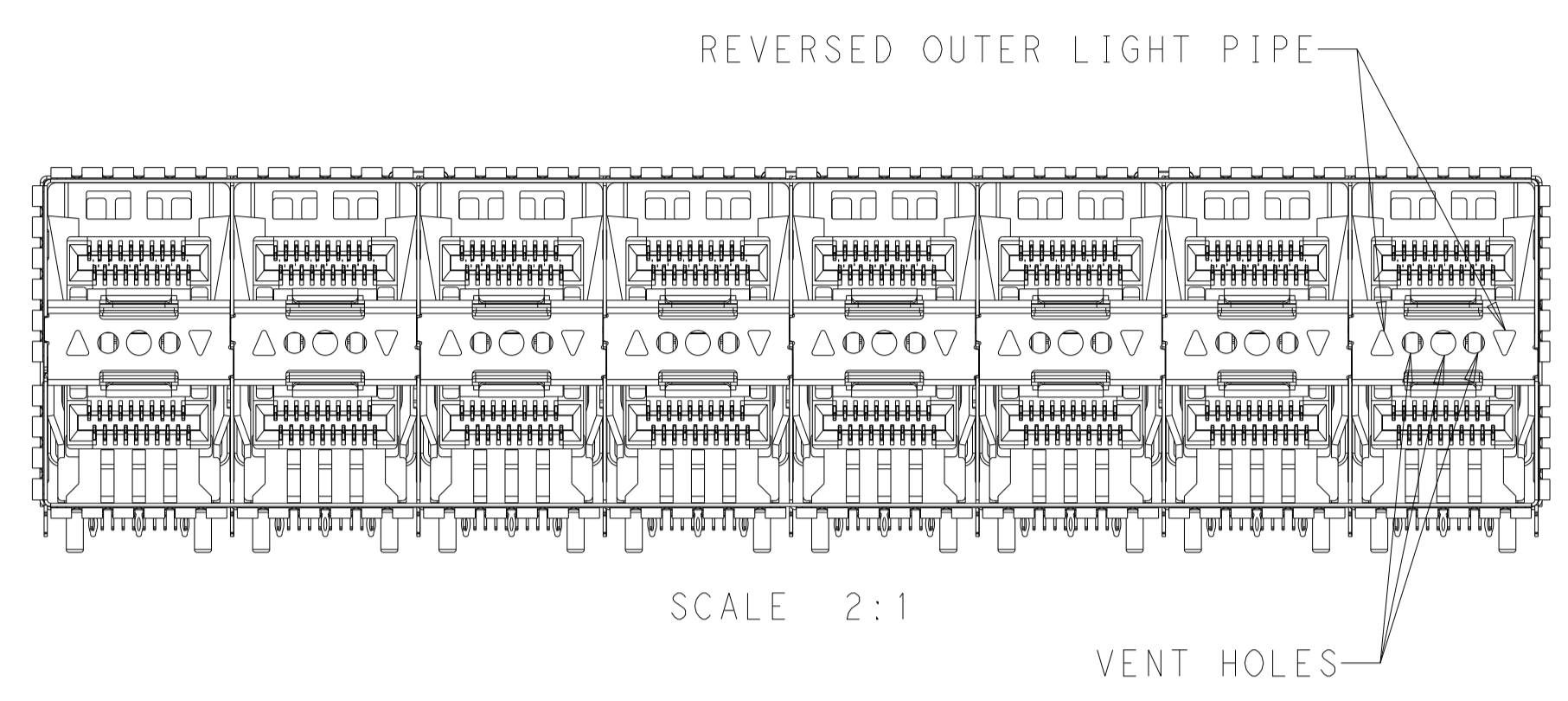
SCALE 2:1

LOC	DIST	REVISIONS			
P	LYR	DESCRIPTION	DATE	DWN	APVD
GP	00	SEE SHEET 1	-	-	-

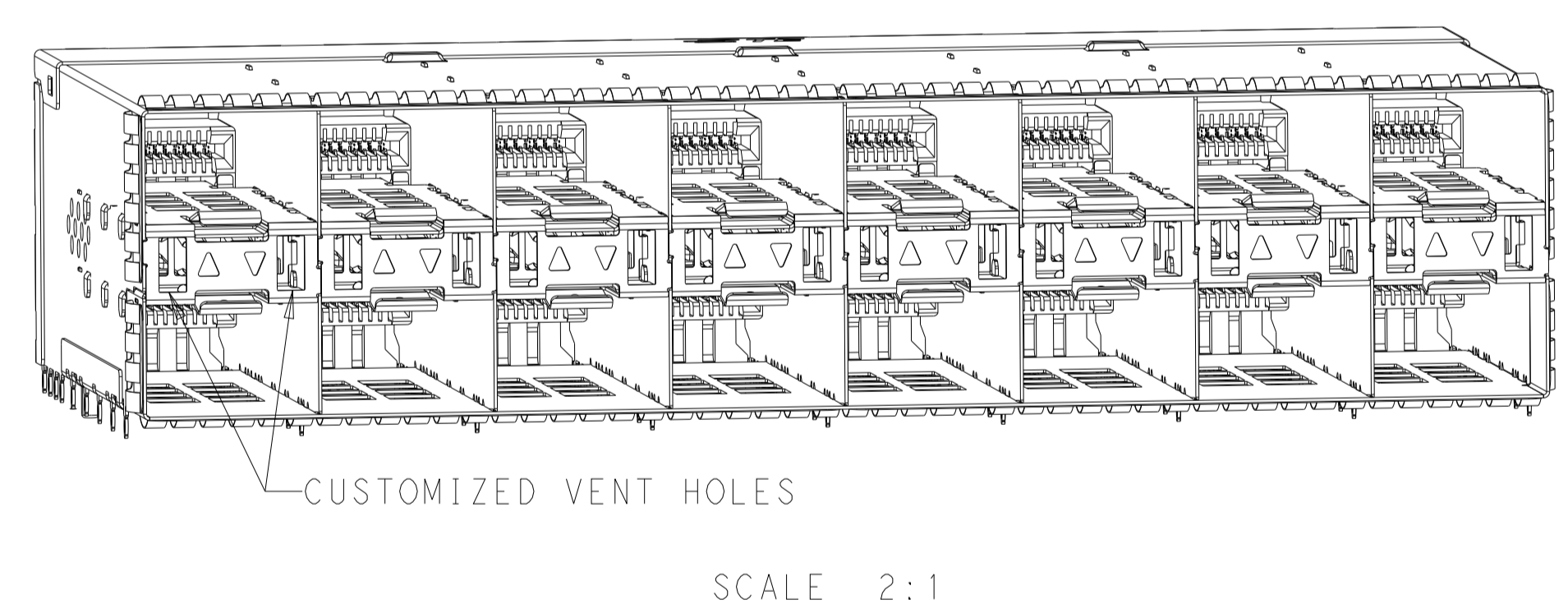
THIS DRAWING IS A CONTROLLED DOCUMENT.		DWN J. WANG 26 JUL 2018	
DIMENSIONS: mm		CHK S. HAN 26 JUL 2018	
		APVD S. HAN 26 JUL 2018	NAME RECEPTACLE ASSEMBLY, 2X8, STACKED, SFP56
TOLERANCES UNLESS OTHERWISE SPECIFIED:		PRODUCT SPEC	SIZE A1
0 PLC ±0.25		108-2481	CAGE CODE C=2340033
1 PLC ±0.25		APPLICATION SPEC	RESTRICTED TO
2 PLC ±0.25		114-13319	SCALE 1:1
3 PLC ±0.25		WEIGHT	SHEET 3 OF 8
4 PLC ±		CUSTOMER DRAWING	REV D1
ANGLES ±°			
FINISH SEE NOTES			

LOC		DIST		REVISIONS			
GP	00	P	LYR	DESCRIPTION	DATE	OWN	APVD
		-		SEE SHEET 1			

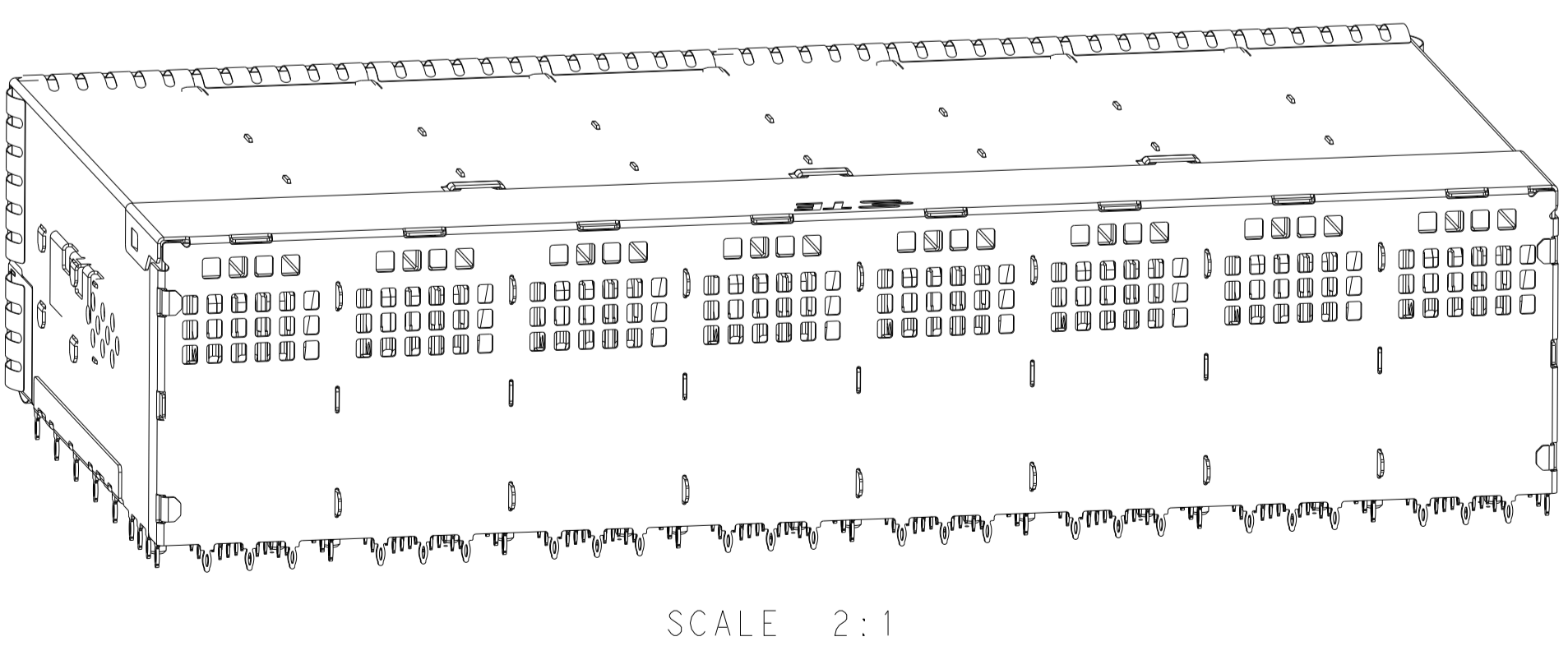
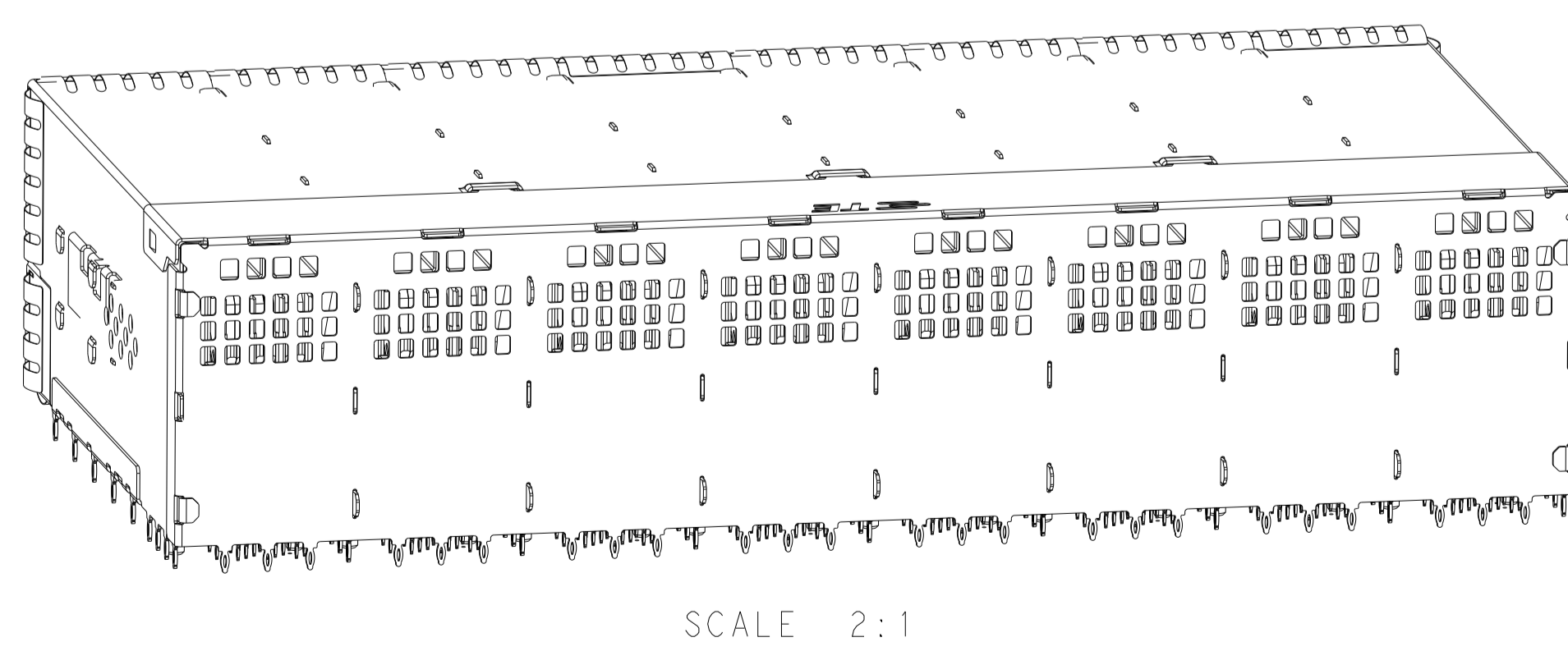
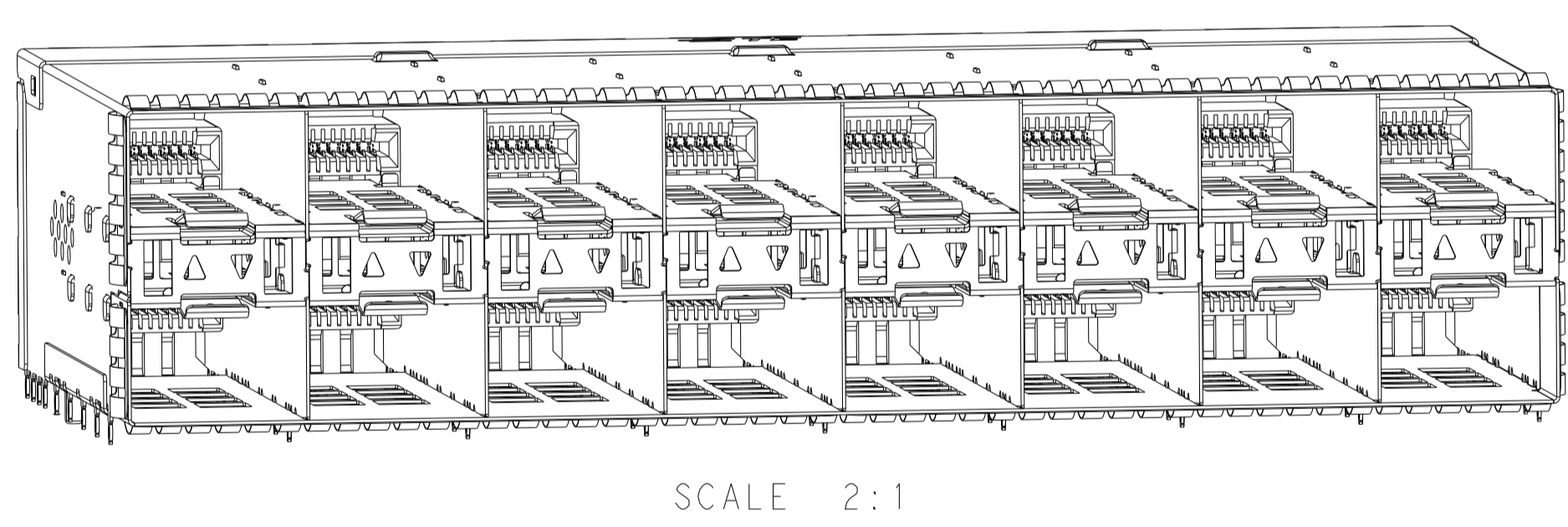
3-2340033-5 AIR FLOW ENHANCED VERSION
 UNMARKED DIMENSION SAME AS 2340033-5



3-2340033-6
 UNMARKED DIMENSIONS
 SAME AS 3-2340033-4



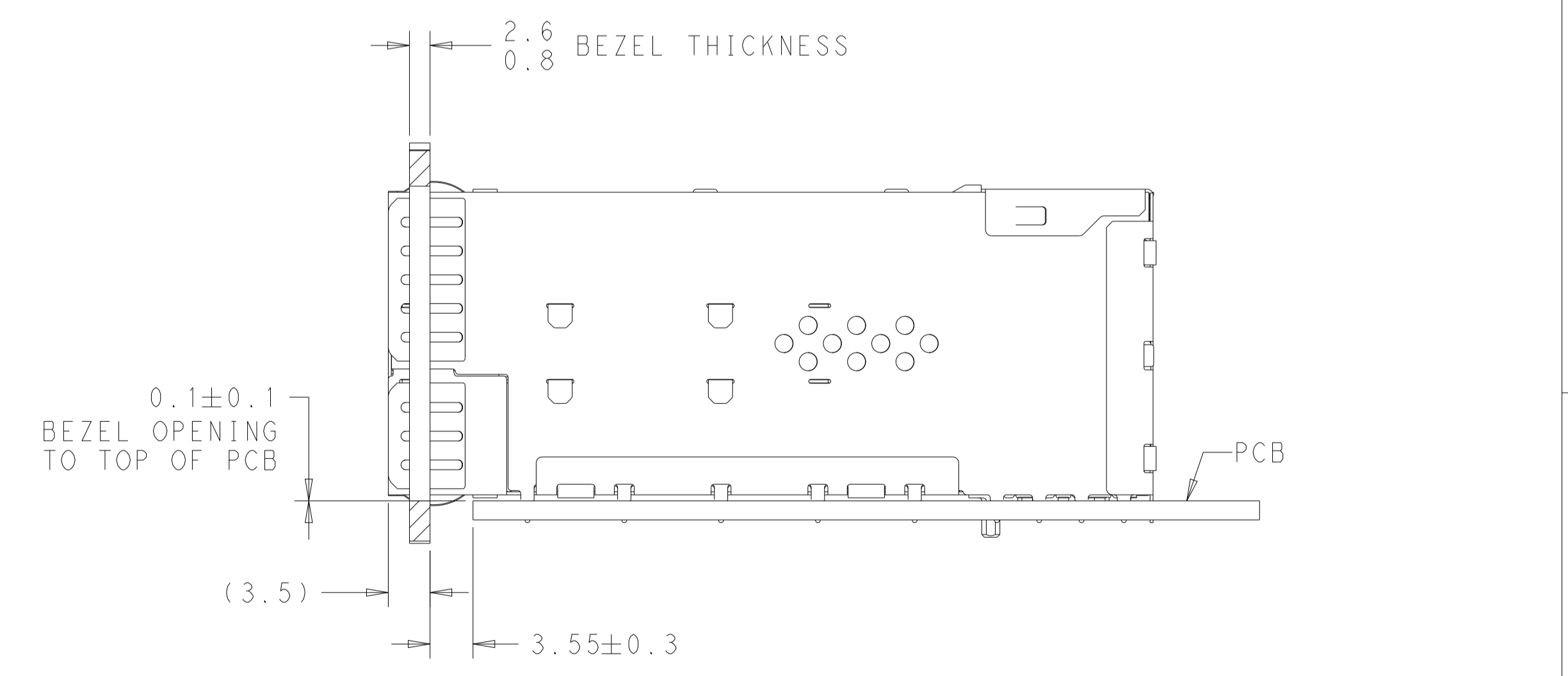
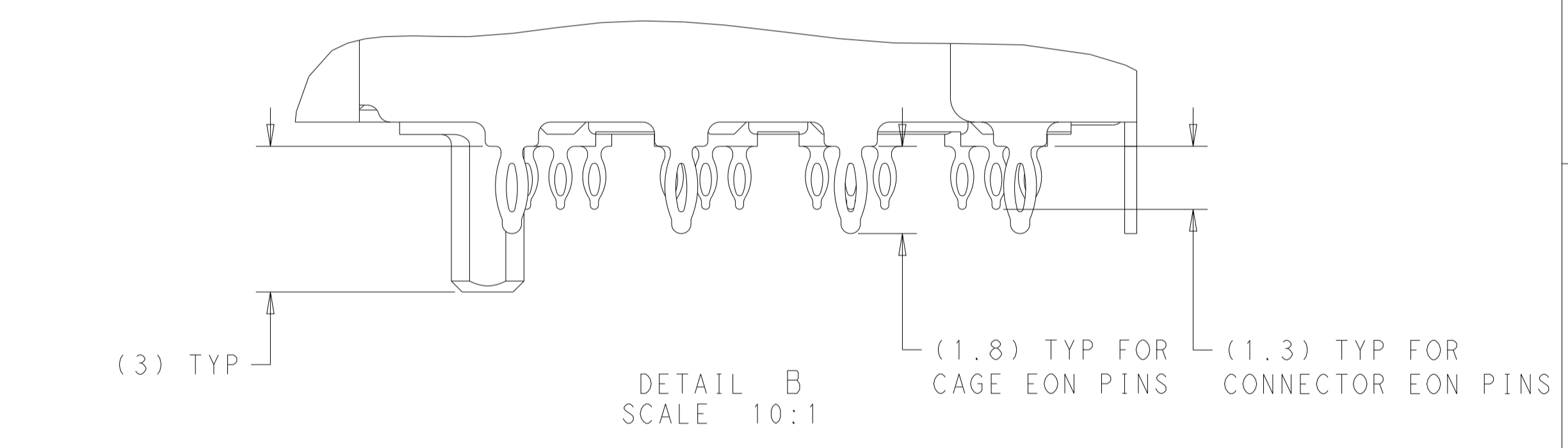
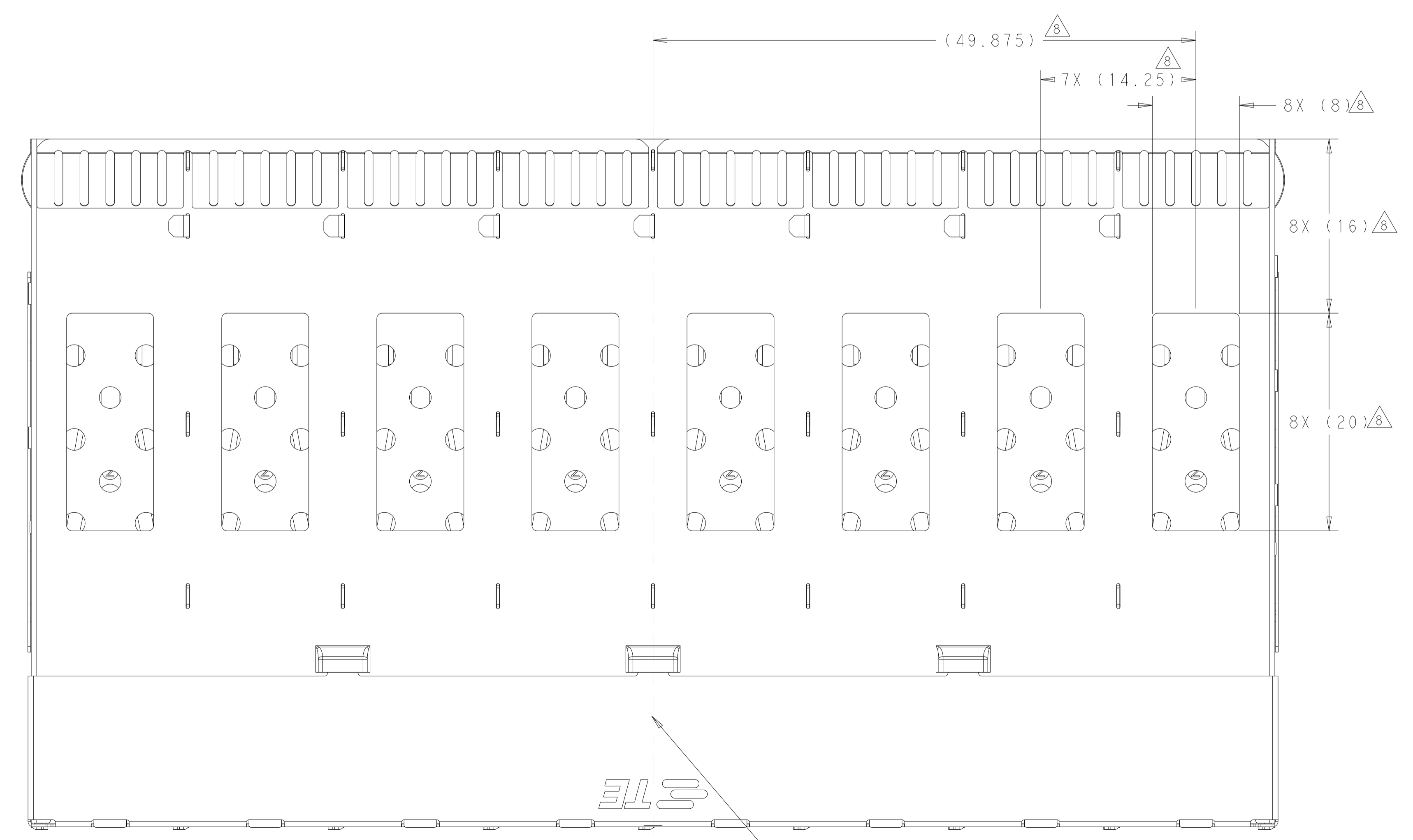
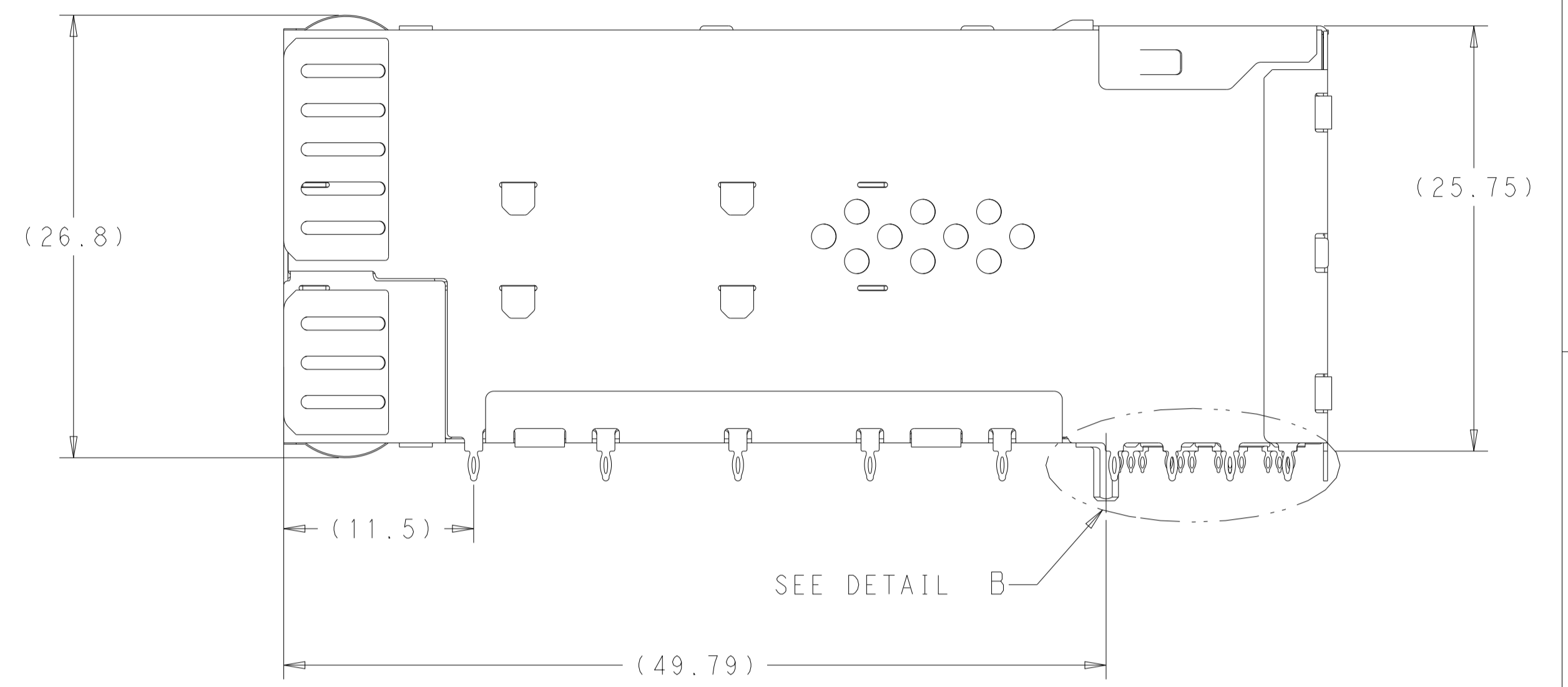
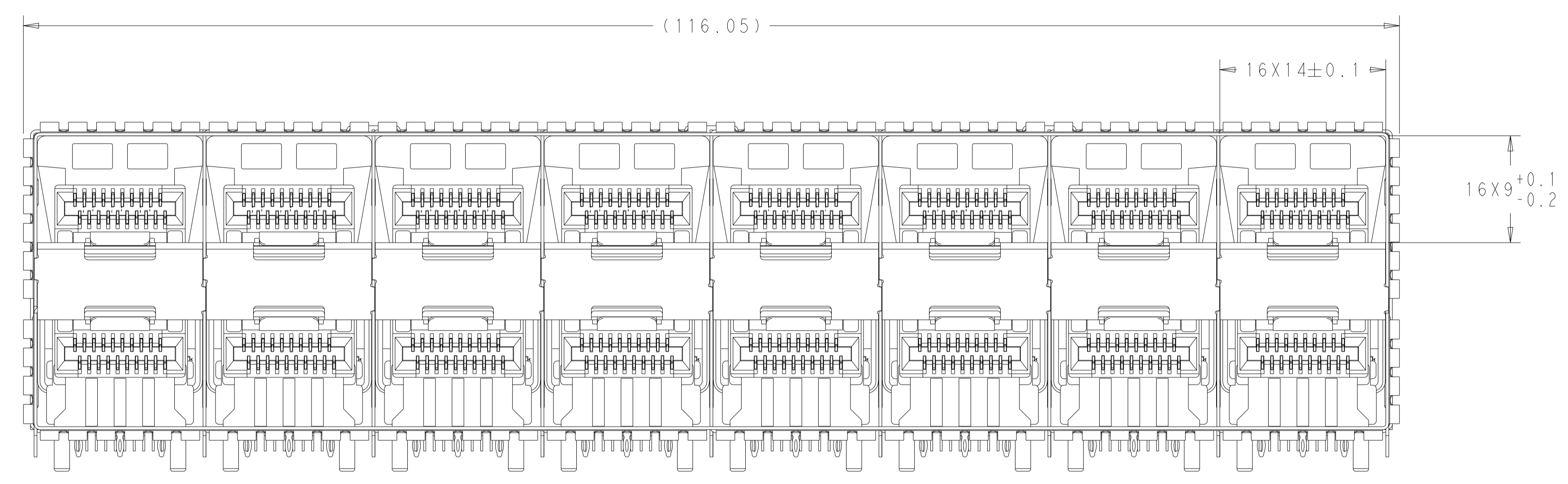
3-2340033-7
 UNMARKED DIMENSIONS
 SAME AS 3-2340033-6



THIS DRAWING IS A CONTROLLED DOCUMENT.		OWN J. WANG 26 JUL 2018	TE Connectivity NAME RECEPTACLE ASSEMBLY, 2X8, STACKED, SFP56
DIMENSIONS:		CHK S. HAN 26 JUL 2018	
mm		APVD S. HAN 26 JUL 2018	
TOLERANCES UNLESS OTHERWISE SPECIFIED: 0 PLC ±0.25 1 PLC ±0.25 2 PLC ±0.25 3 PLC ±0.25 4 PLC ±0.25 ANGLES ±° FINISH ±5°		PRODUCT SPEC 108-2481 APPLICATION SPEC 114-13319 WEIGHT -	
MATERIAL SEE NOTES		SIZE A1 CAGE CODE 00779 DRAWING NO C=2340033	RESTRICTED TO SCALE 1:1 SHEET 4 OF 8 REV D1 CUSTOMER DRAWING

LOC	DIST	REVISIONS					
GP	00	P	LTN	DESCRIPTION	DATE	DWN	APVD
		-		SEE SHEET 1	-	-	-

SPRING VERSION DIMENSIONS AND SPEC

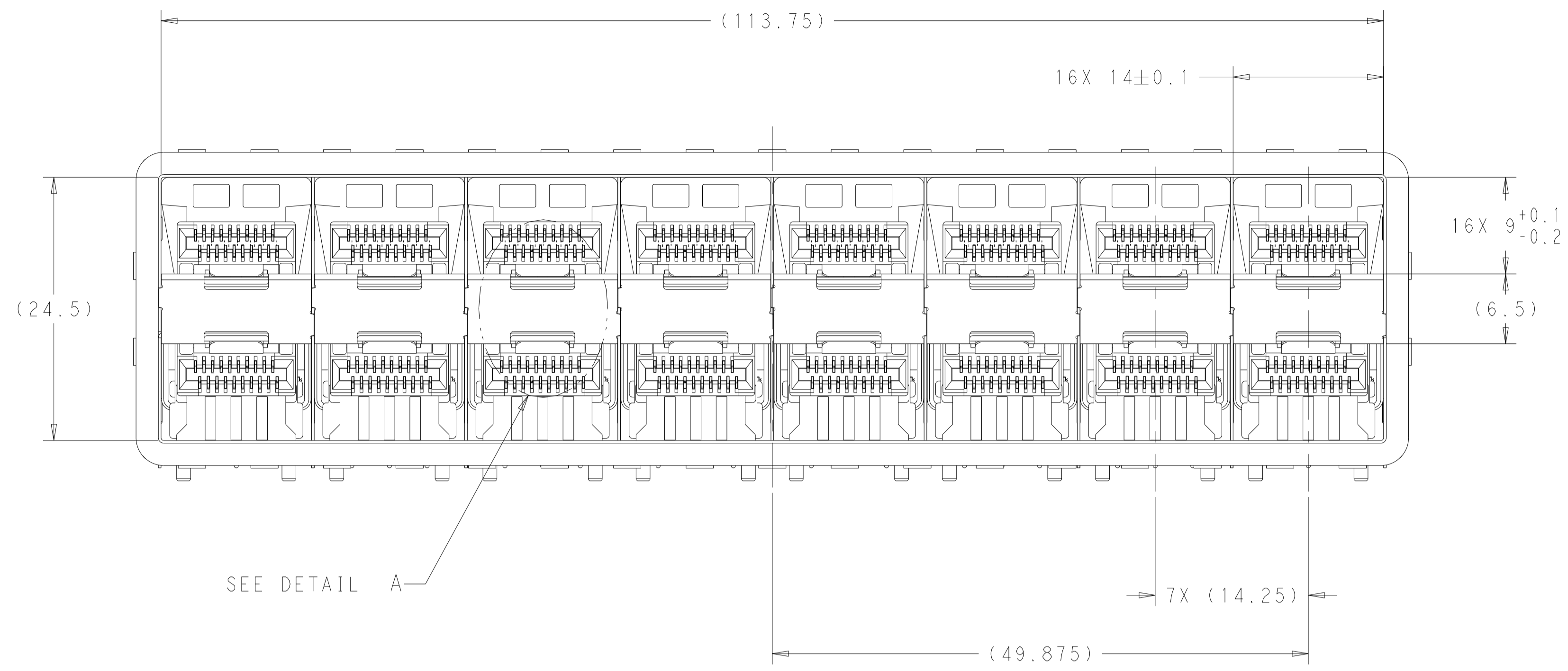


PN 4-2340033-0 ONLY LASER MARK DATE CODE AND PART NUMBER IN APPROXIMATE LOCATION SHOWN

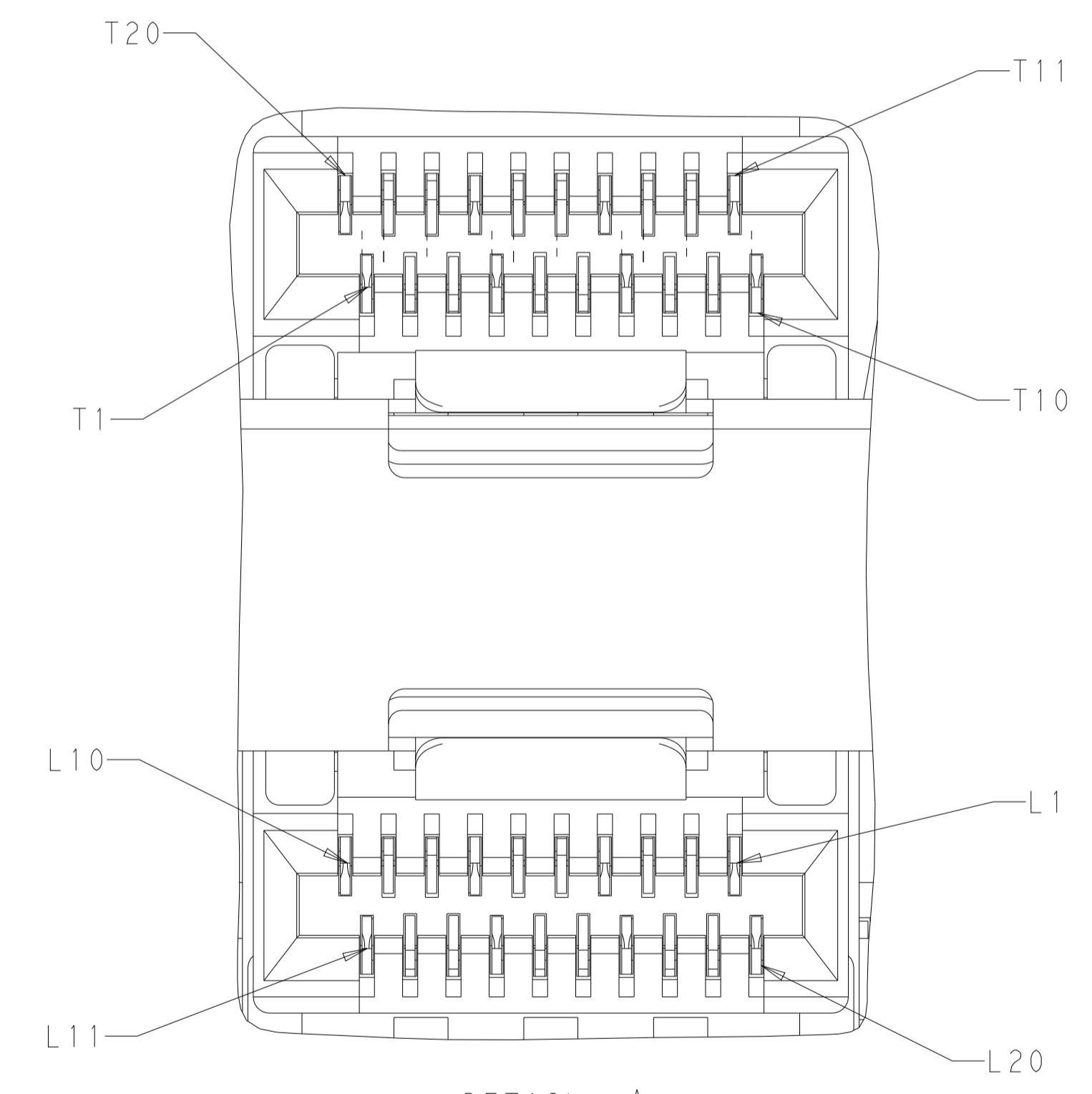
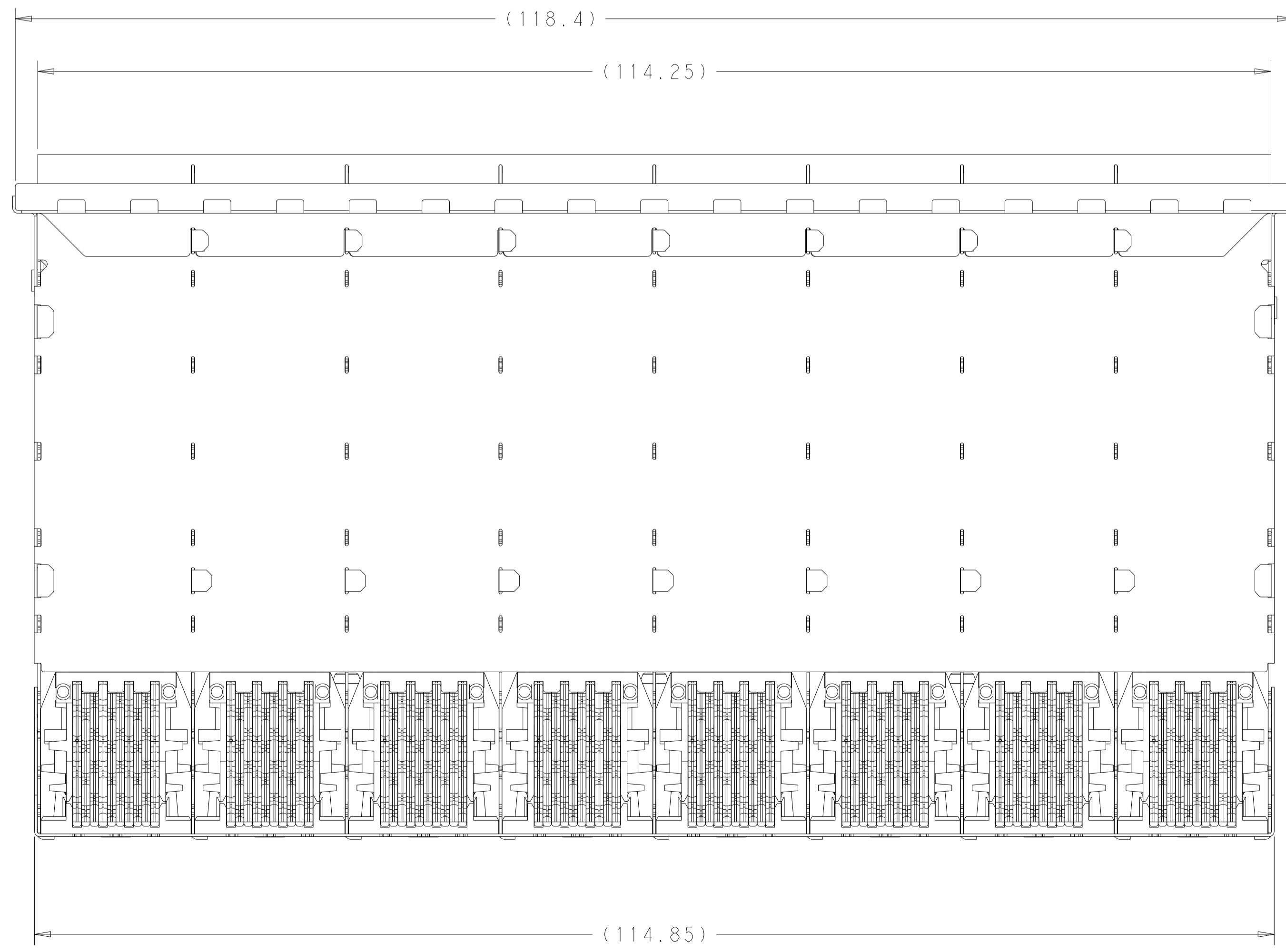
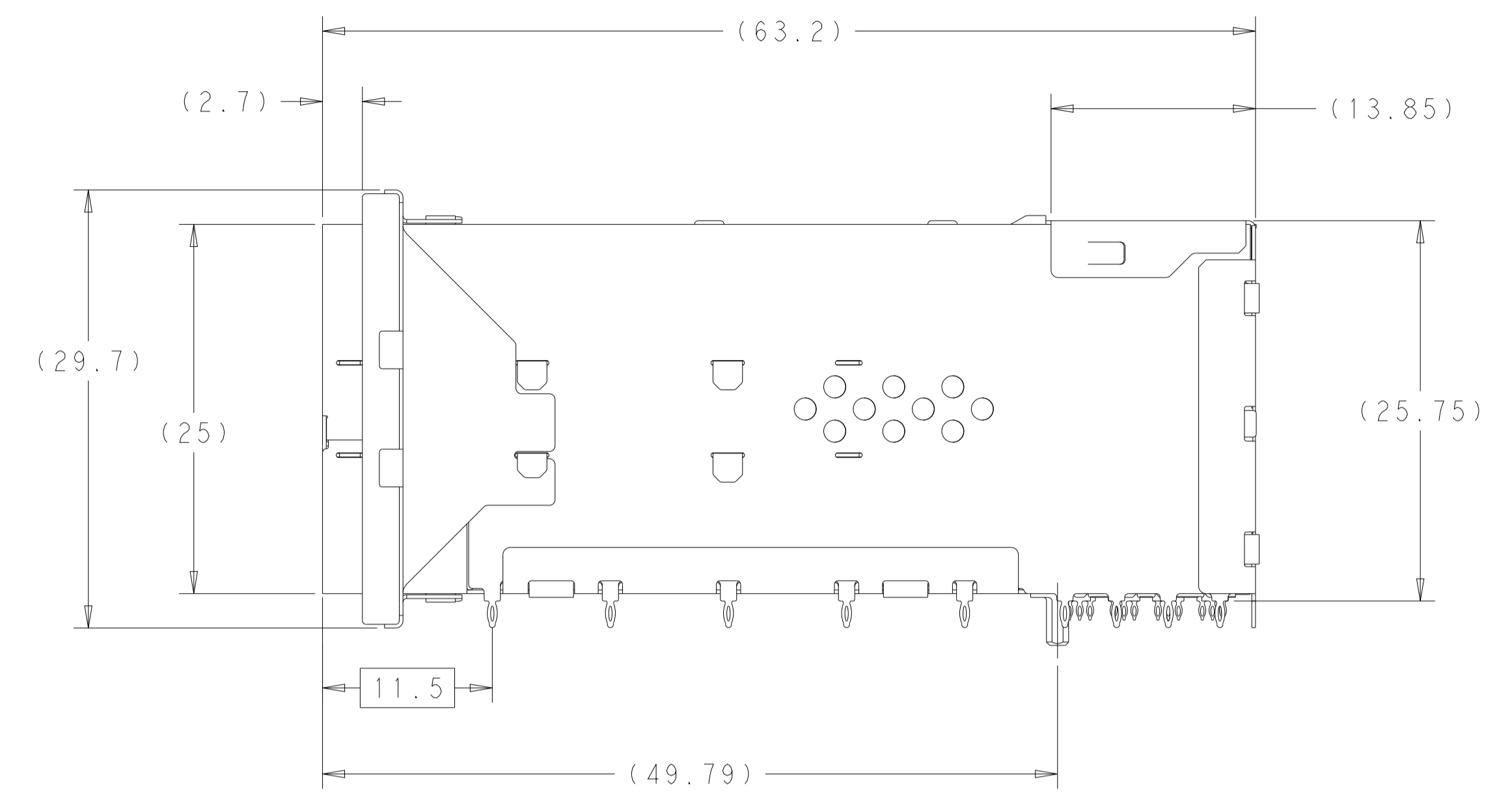
THIS DRAWING IS A CONTROLLED DOCUMENT.		DWN: J. WANG 26 JUL 2018	TE Connectivity
DIMENSIONS: mm		CHK: S. HAN 26 JUL 2018	
TOLERANCES UNLESS OTHERWISE SPECIFIED:		APVD: S. HAN 26 JUL 2018	NAME: RECEPTACLE ASSEMBLY, 2X8, STACKED, SFP56
0 PLC ±0.25 1 PLC ±0.25 2 PLC ±0.25 3 PLC ±0.25 4 PLC ±0.25 ANGLES ±° FINISH ±°		PRODUCT SPEC: 108-2481 APPLICATION SPEC: 114-13319	
MATERIAL: SEE NOTES		WEIGHT: -	SIZE: A1 CAGE CODE: 00779 DRAWING NO: 2340033 CUSTOMER DRAWING
		SCALE: 1:1	SHEET 5 OF 8 REV D1

LOC		DIST		REVISIONS			
P	LTN	DESCRIPTION	DATE	DMN	APVD		
-	-	SEE SHEET 1	-	-	-		

GASKET VERSION DIMENSIONS AND SPEC



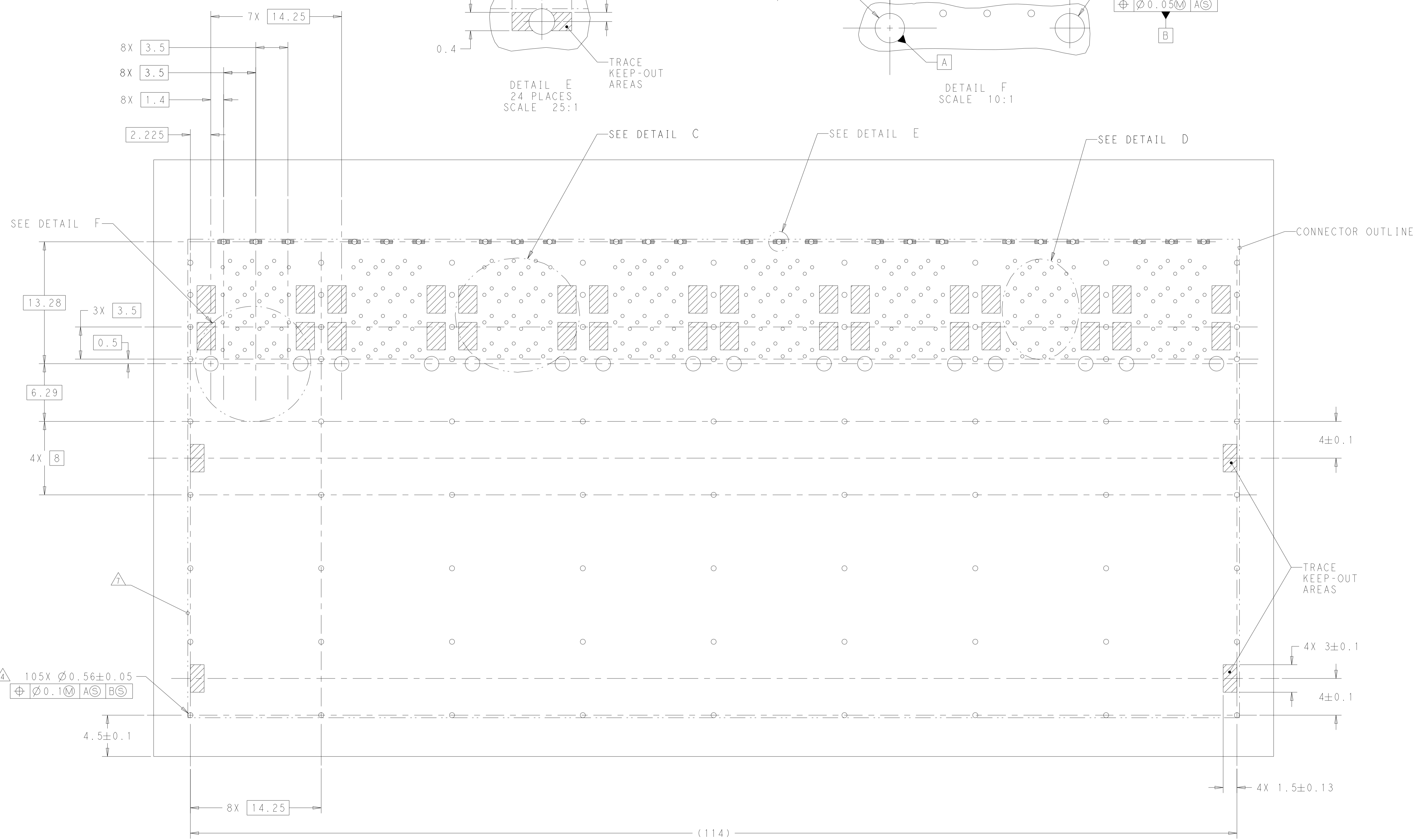
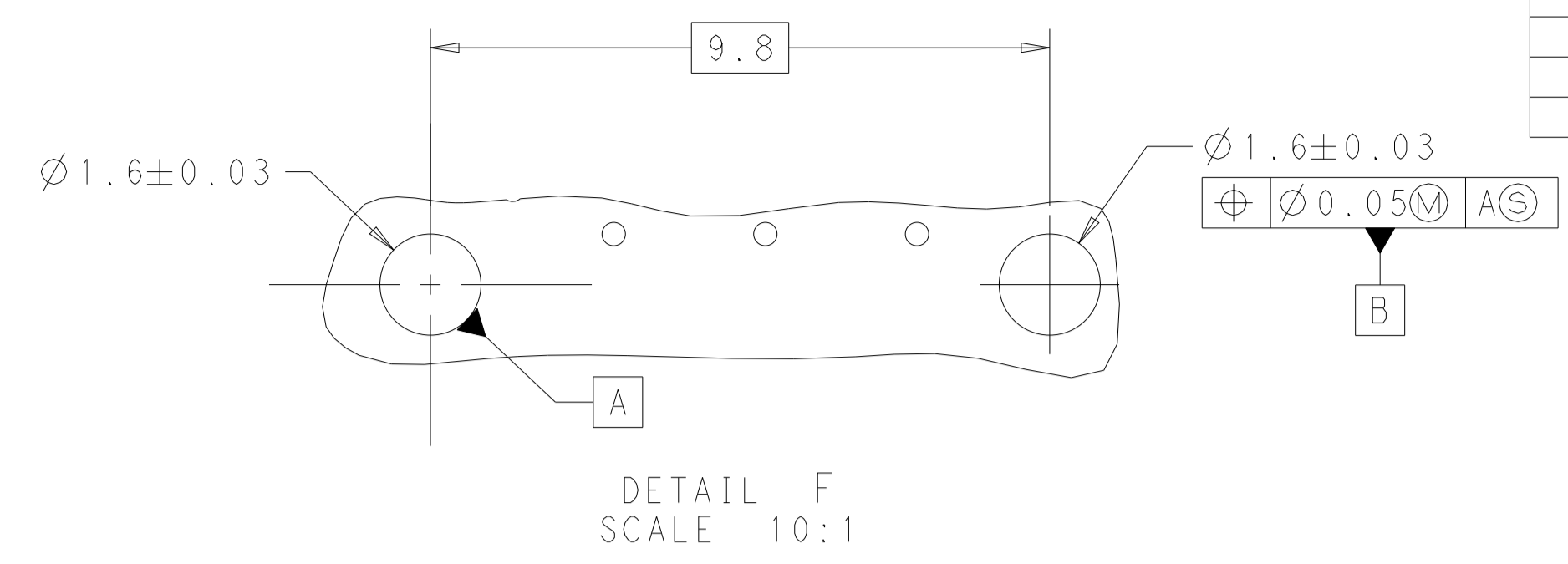
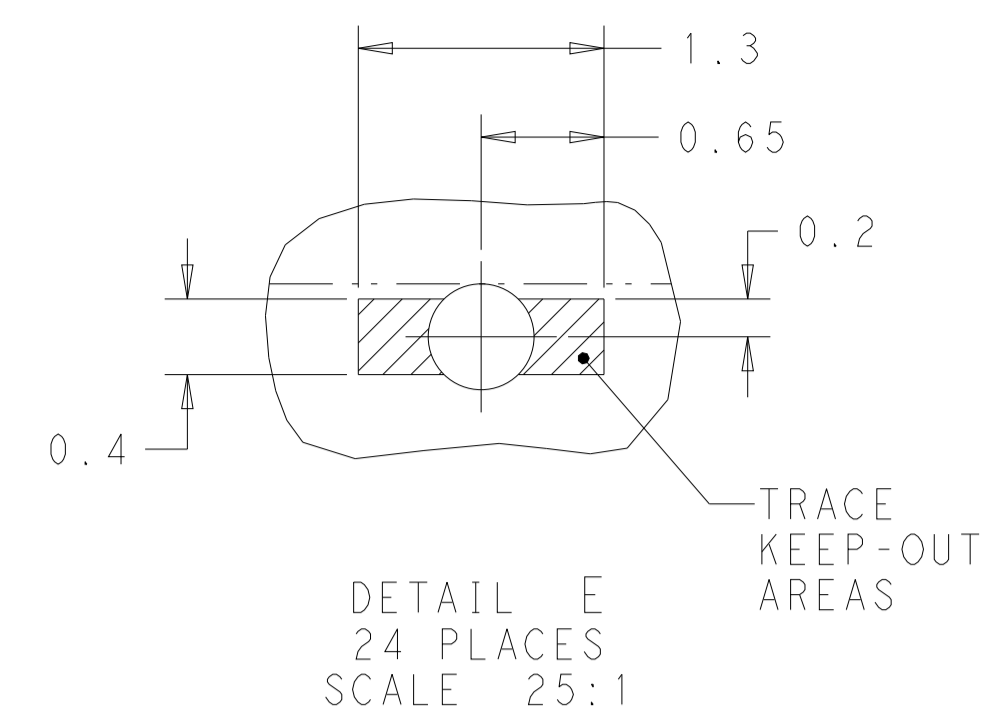
SEE DETAIL A



DETAIL A
 8X INDIVIDUALLY
 SCALE 10:1

THIS DRAWING IS A CONTROLLED DOCUMENT.		DMN J. WANG 26 JUL 2018	TE Connectivity NAME RECEPTACLE ASSEMBLY, 2X8, STACKED, SFP56
DIMENSIONS: mm		CHK S. HAN 26 JUL 2018	
TOLERANCES UNLESS OTHERWISE SPECIFIED:		APVD S. HAN 26 JUL 2018	PRODUCT SPEC
0 PLC ±0.25		APPLICATION SPEC	
1 PLC ±0.25		108-2481	
2 PLC ±0.25		114-13319	
3 PLC ±0.25		SIZE CAGE CODE DRAWING NO	
4 PLC ±0.25		A100779C=2340033	
ANGLES ±°		RESTRICTED TO	
FINISH ±5°		WEIGHT	
MATERIAL SEE NOTES		CUSTOMER DRAWING	
		SCALE 1:1 SHEET 6 OF 8 REV D1	

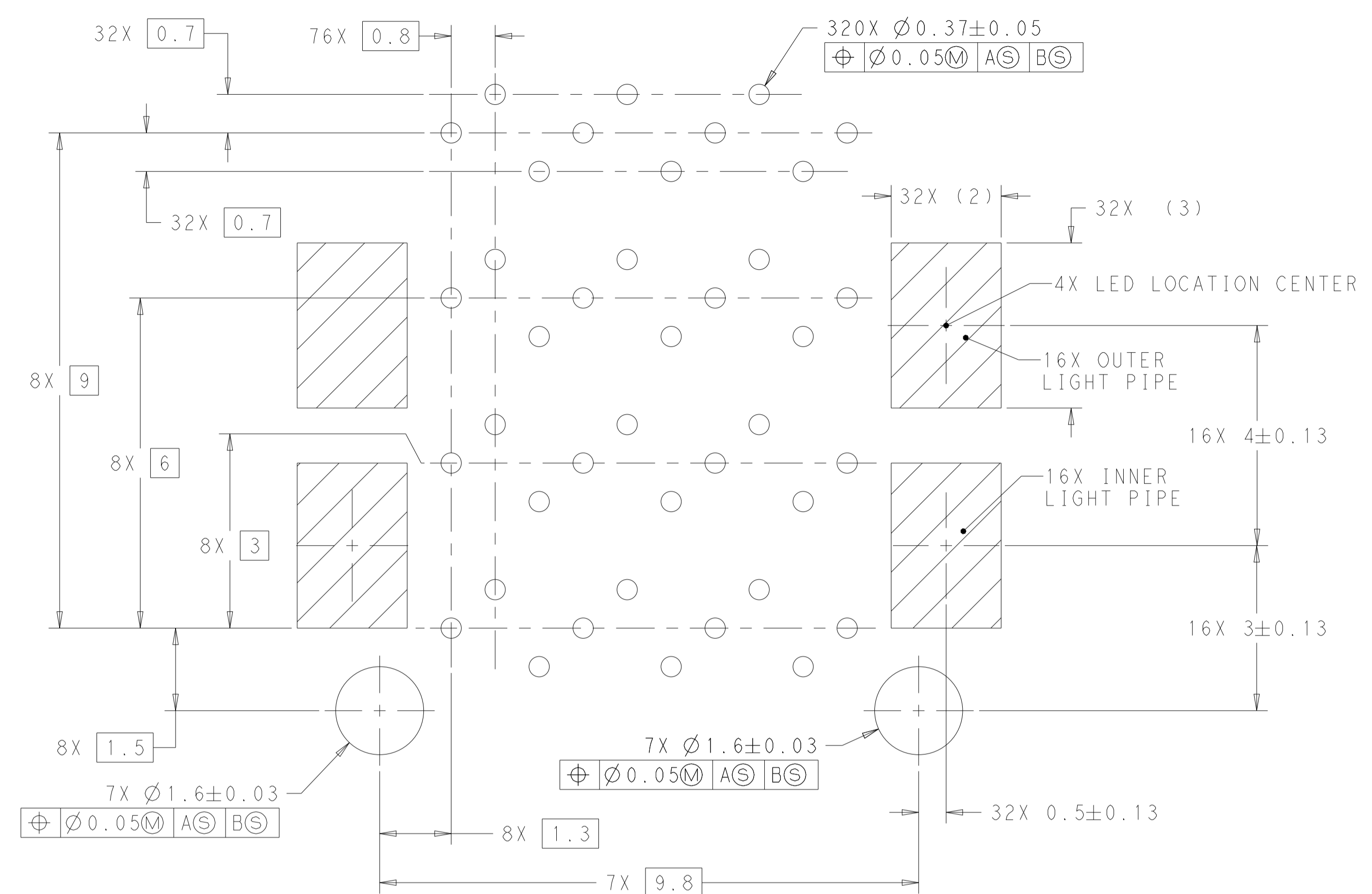
LOC	DIST	REVISIONS			
GP	00	REV	DATE	BY	APPV
		1	SEE SHEET 1		



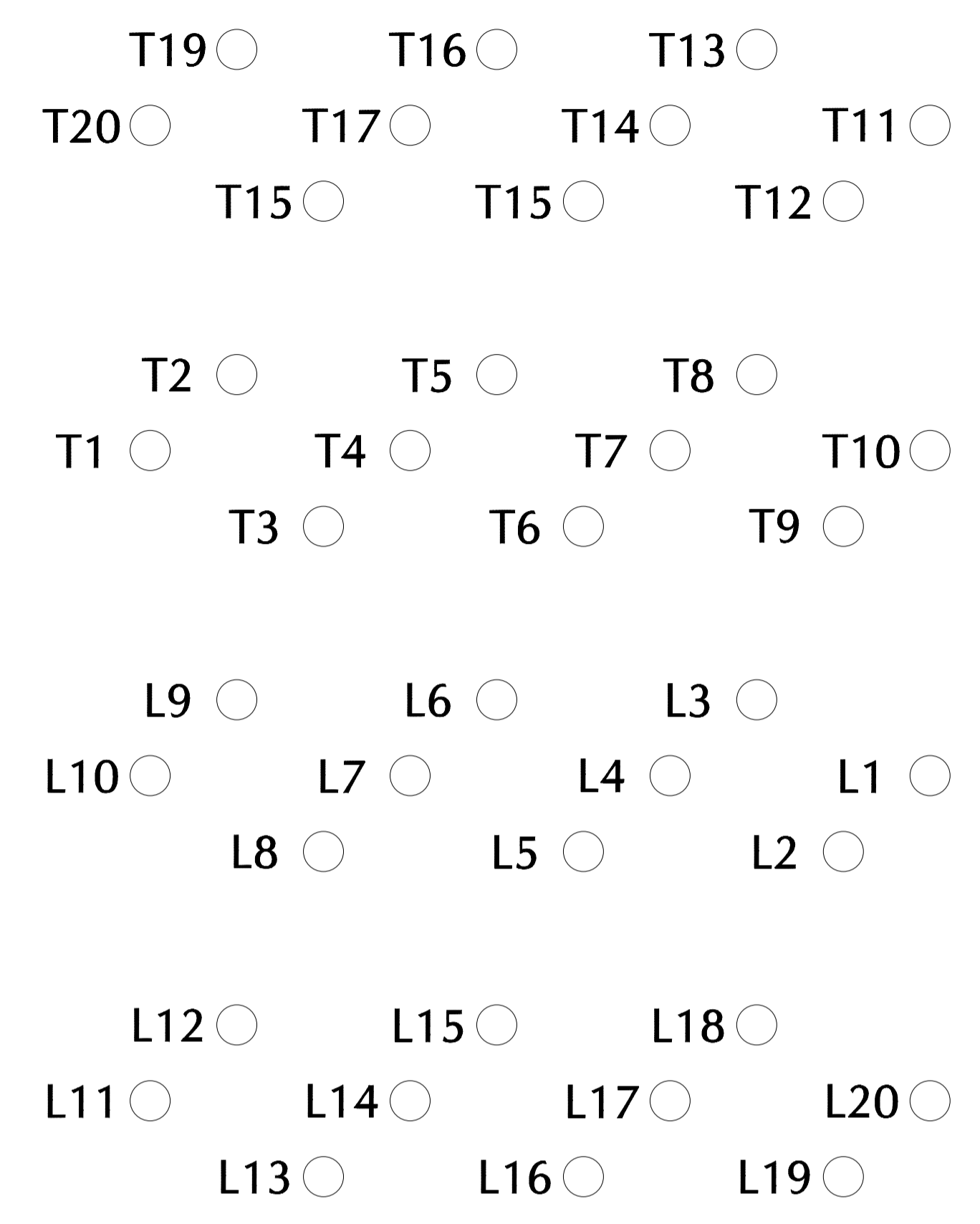
RECOMMENDED PCB LAYOUT
SCALE 5:1

THIS DRAWING IS A CONTROLLED DOCUMENT.		OWN J. WANG 26 JUL 2018	TE Connectivity
DIMENSIONS: mm		CHK S. HAN 26 JUL 2018	
TOLERANCES UNLESS OTHERWISE SPECIFIED:		APVD S. HAN 26 JUL 2018	NAME
0 PLC ± 0.25		PRODUCT SPEC	RECEPTACLE ASSEMBLY, 2X8, STACKED, SFP56
1 PLC ± 0.25		108-2481	
2 PLC ± 0.25		APPLICATION SPEC	
3 PLC ± 0.25		114-13319	
4 PLC ± 0.25		SIZE	A1
ANGLES $\pm 5^\circ$		CAGE CODE	2340033
FINISH SEE NOTES		DRAWING NO	114-13319
MATERIAL SEE NOTES		WEIGHT	
		CUSTOMER DRAWING	
		SCALE	1:1
		SHEET	7 OF 8
		REV	D1

LOC	DIST	REVISIONS					
GP	00	P	LYR	DESCRIPTION	DATE	OWN	APVD
		-		SEE SHEET 1			

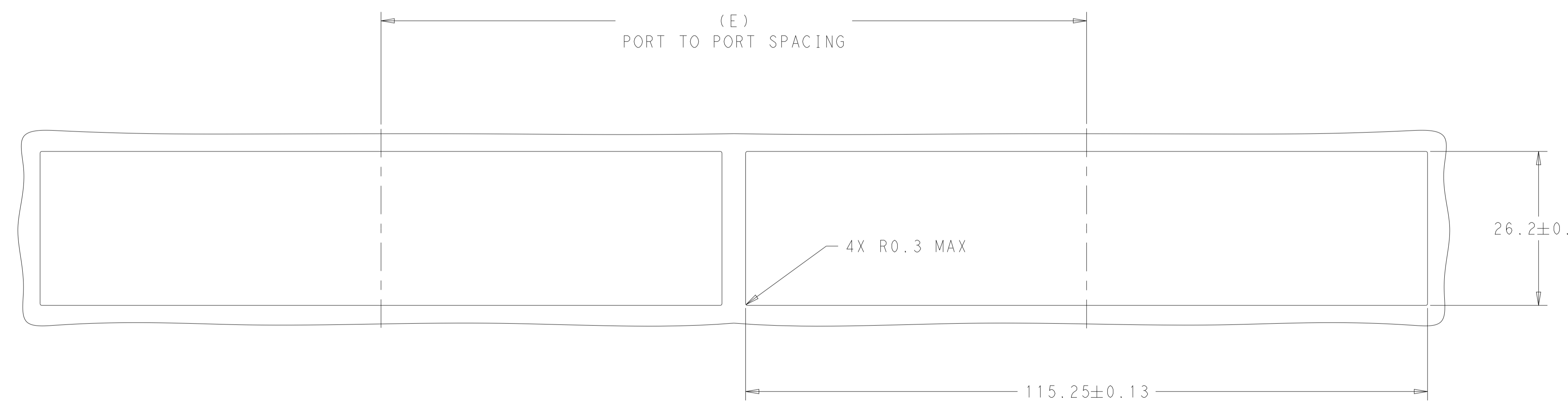


DETAIL C
 RECOMMENDED PIN AND LIGHT PIPE LAYOUT
 SCALE 15:1

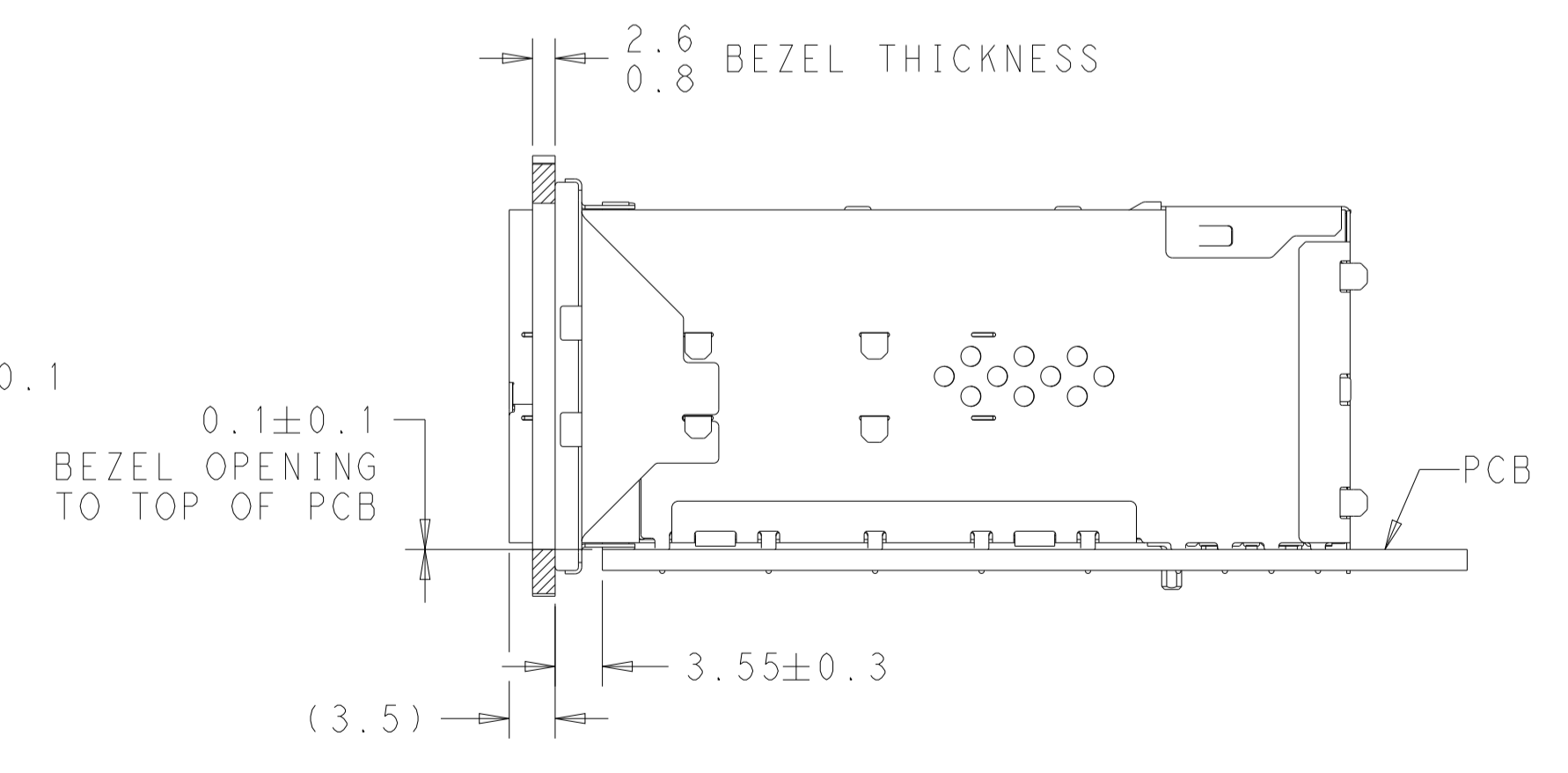


PIN MAP LEGEND	
PIN NUMBER	FUNCTION
L1/T1	VEET
L2/T2	TX-FAULT
L3/T3	TX-DISABLE
L4/T4	SDA
L5/T5	SCL
L6/T6	MOD_ABS
L7/T7	RSO
L8/T8	RX_LOS
L9/T9	RS1
L10/T10	VEER
L11/T11	VEER
L12/T12	RD-
L13/T13	RD+
L14/T14	VEER
L15/T15	VCCR
L16/T16	VCCT
L17/T17	VEET
L18/T18	TD+
L19/T19	TD-
L20/T20	VEET

DETAIL D
 PIN MAP
 8X PLACES
 SCALE 20:1



RECOMMENDED BEZEL CUT-OUT DETAIL
 SCALE 2:1



RECOMMENDED BEZEL LOCATION WITH EMI GASKET
 SCALE 2:1

THIS DRAWING IS A CONTROLLED DOCUMENT.		OWN J. WANG 26 JUL 2018	TE Connectivity
DIMENSIONS: mm		CHK S. HAN 26 JUL 2018	
TOLERANCES UNLESS OTHERWISE SPECIFIED:		APVD S. HAN 26 JUL 2018	NAME RECEPTACLE ASSEMBLY, 2X8, STACKED, SFP56
0 PLC ±0.25		PRODUCT SPEC 108-2481	
1 PLC ±0.25		APPLICATION SPEC 114-13319	SIZE A1 00779 C=2340033
2 PLC ±0.25		WEIGHT -	
3 PLC ±0.25		CUSTOMER DRAWING	RESTRICTED TO
4 PLC ±0.25		SCALE 1:1	SHEET 8 OF 8
ANGLES FINISH ±5°		REV D1	

X-ON Electronics

Largest Supplier of Electrical and Electronic Components

Click to view similar products for [I/O Connectors](#) category:

Click to view products by [TE Connectivity](#) manufacturer:

Other Similar products are found below :

[571763P](#) [58098-0628](#) [72.250.1628.2](#) [72.250.2428.2](#) [74720-0505](#) [76.350.0729.0](#) [76871-1403](#) [FCN-244F080-G/1](#) [FCN-260A9920](#) [PCR-E36PM](#) [PCS-XE26MA+](#) [G38A71314B](#) [1571250010](#) [157-22500-3](#) [MS3471L14-19P L/C](#) [172501-4002](#) [172501-6002](#) [FCN-260C008-A/L0](#) [FCN-260C024-AL0](#) [FCN-261Z008](#) [2000314-1](#) [200331-1](#) [PCR-E36FC+](#) [PCS-E28FS+](#) [PCS-XE26SLFD+](#) [PCS-XE26SLFDT+](#) [G730VID08BDC24](#) [U90B2054081210](#) [38113800006](#) [DP3AR020WQ1R200](#) [Z4.102.0680.0](#) [500-1040](#) [500-1052](#) [500-1054](#) [ZP-4008-66L](#) [0709821002](#) [DX40-20P\(55\)](#) [5554841-1](#) [MS3474W18-8P-LC*](#) [U90B3054061110](#) [U65-E04-4020](#) [ZPF000000000097891](#) [747360449](#) [10099439-003C-TRLF](#) [10137239-0021LF](#) [E9320-001-01](#) [10137239-0011LF](#) [70289-001LF](#) [70.060.1028.0](#) [109029-ZZ](#)