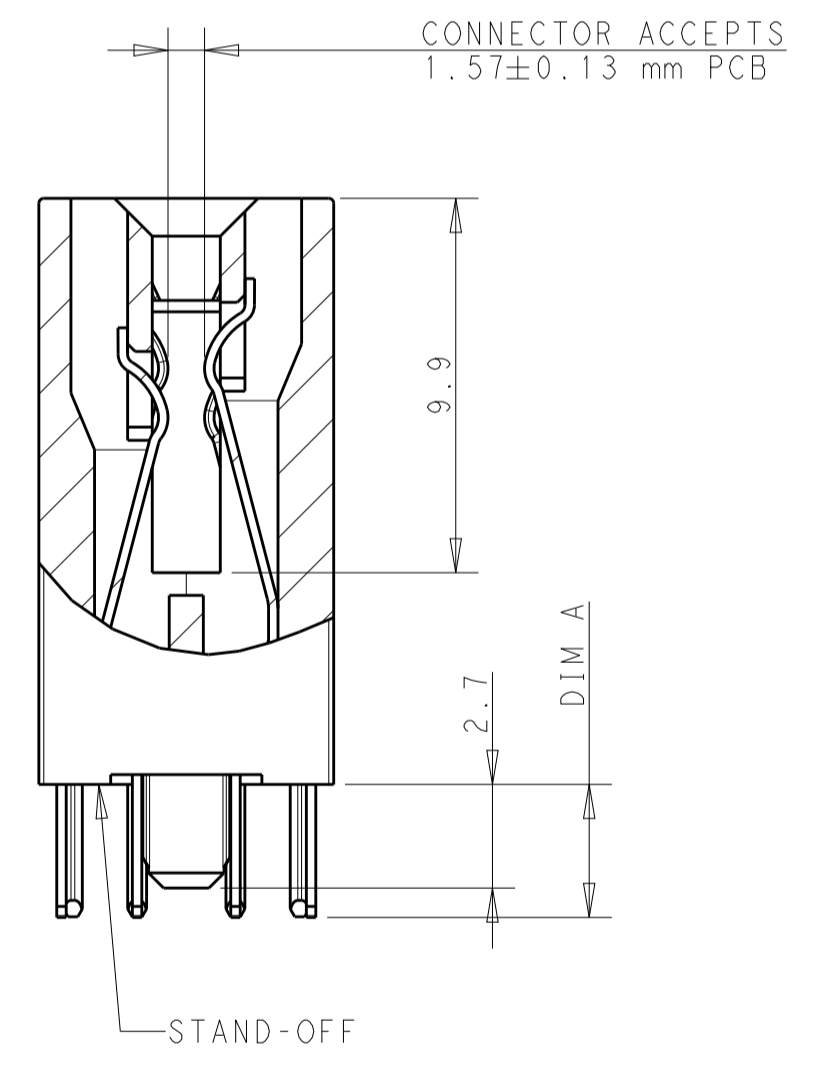
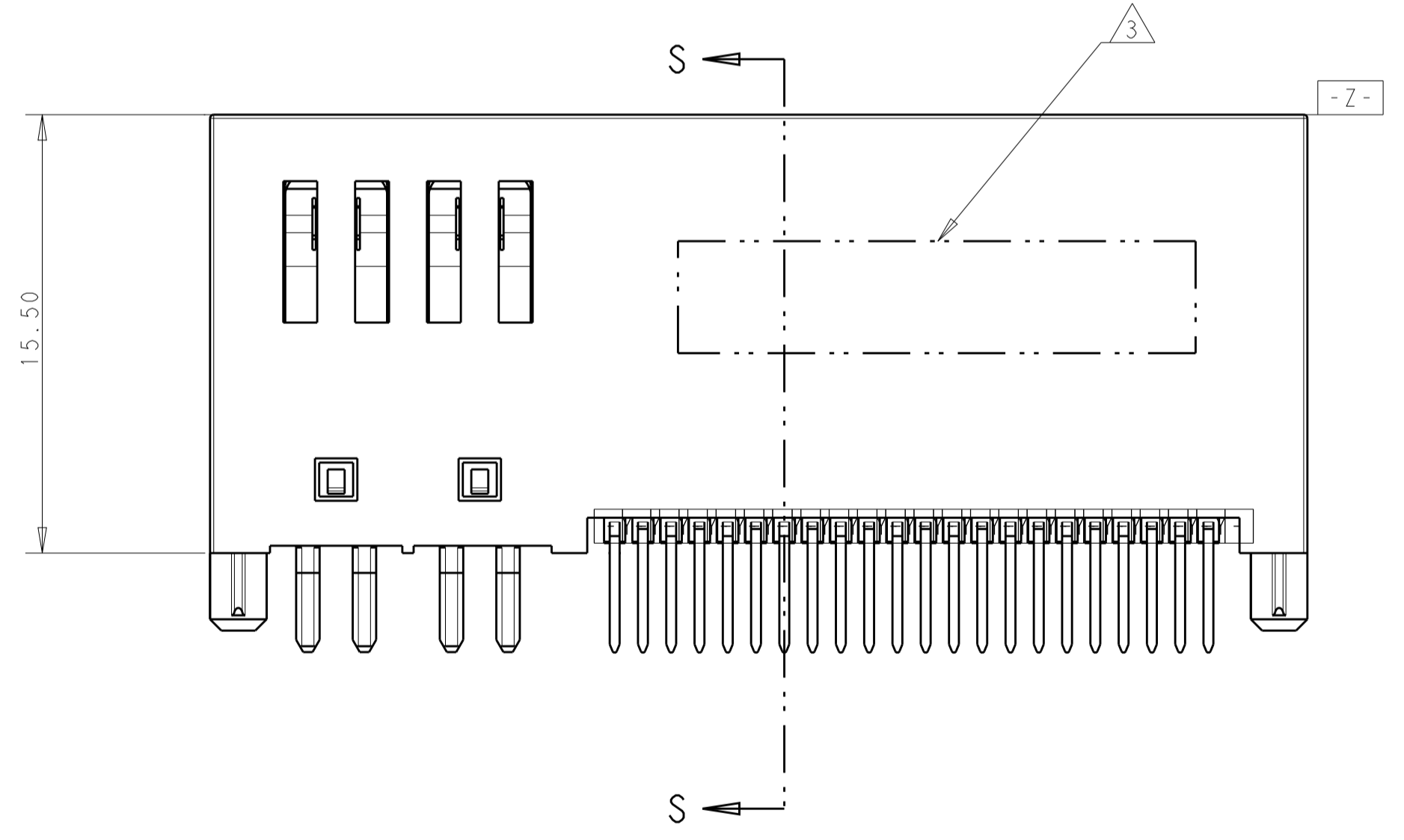
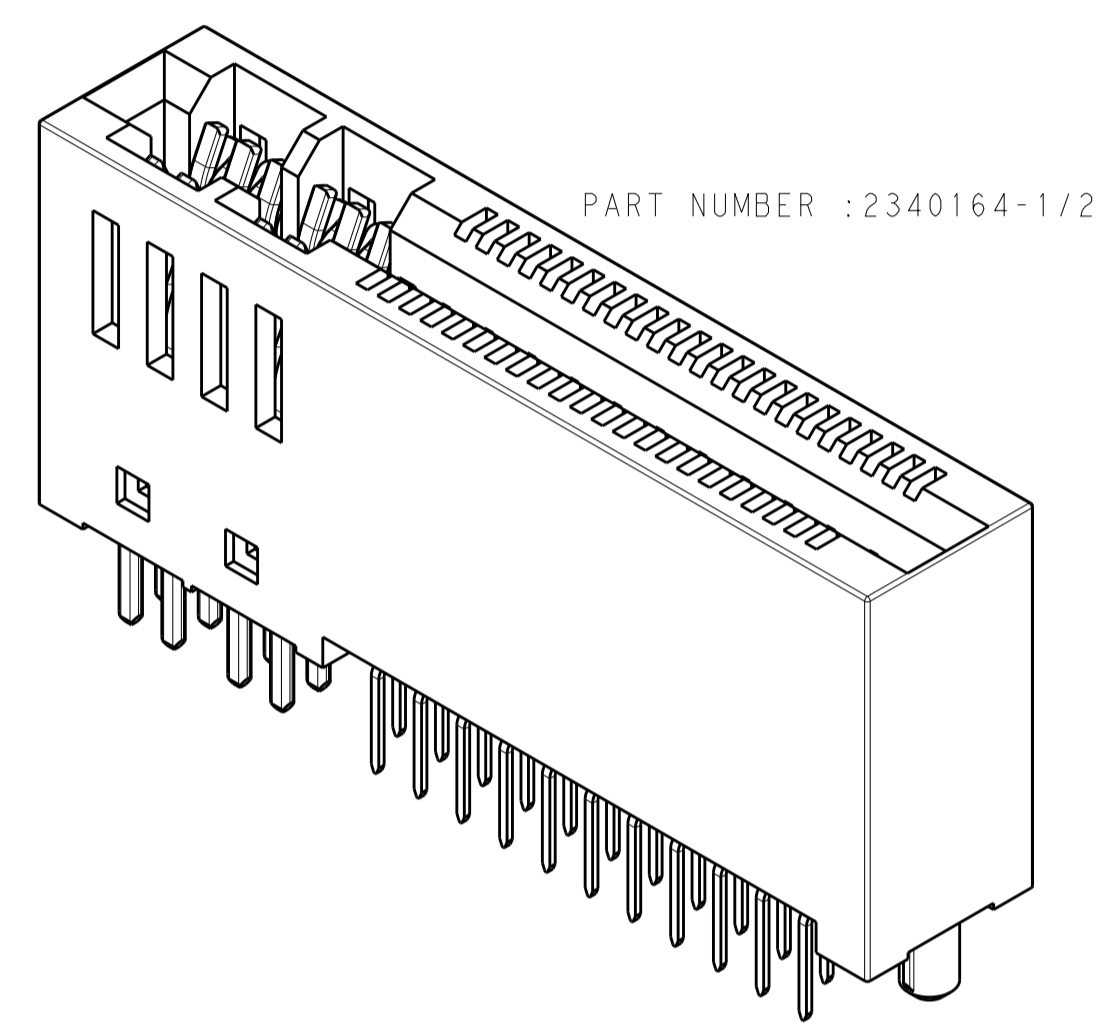
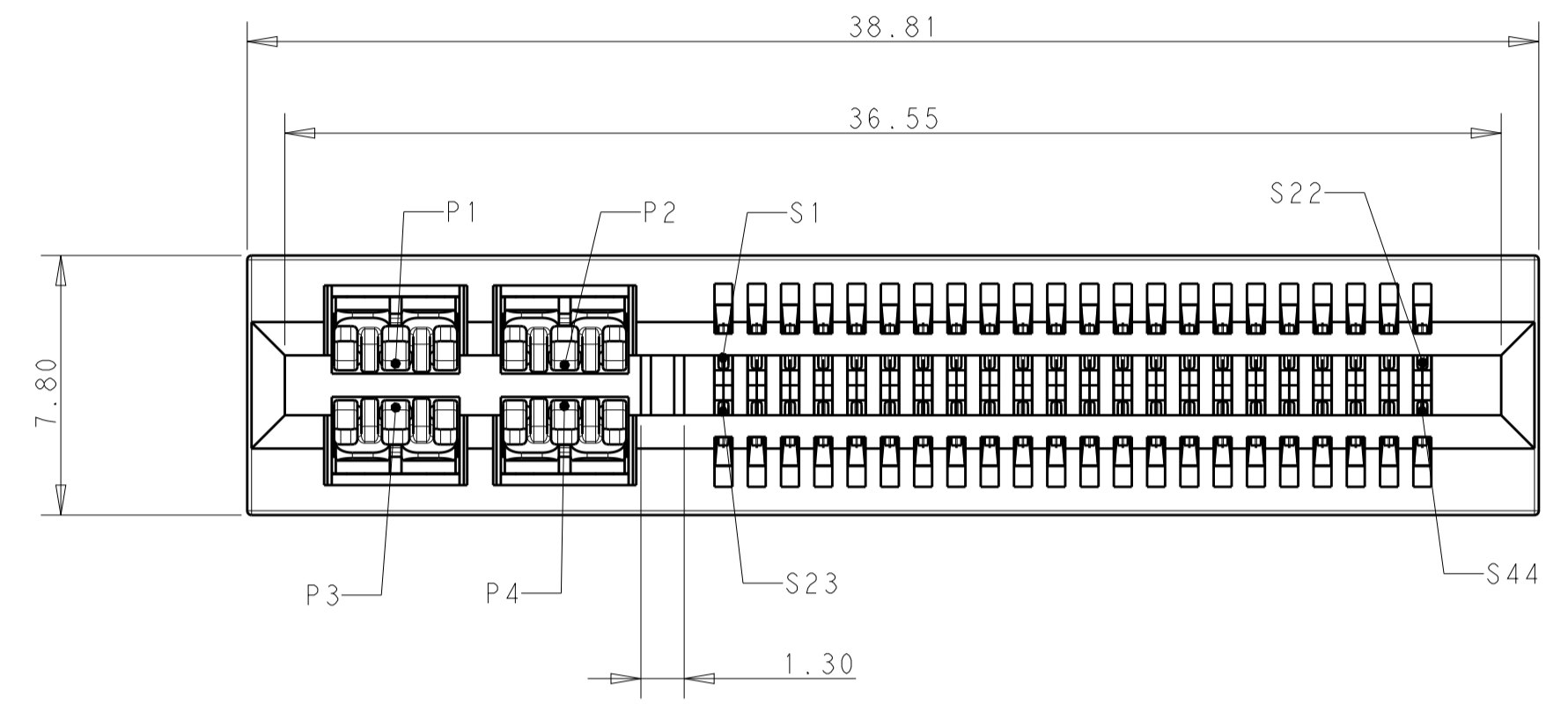
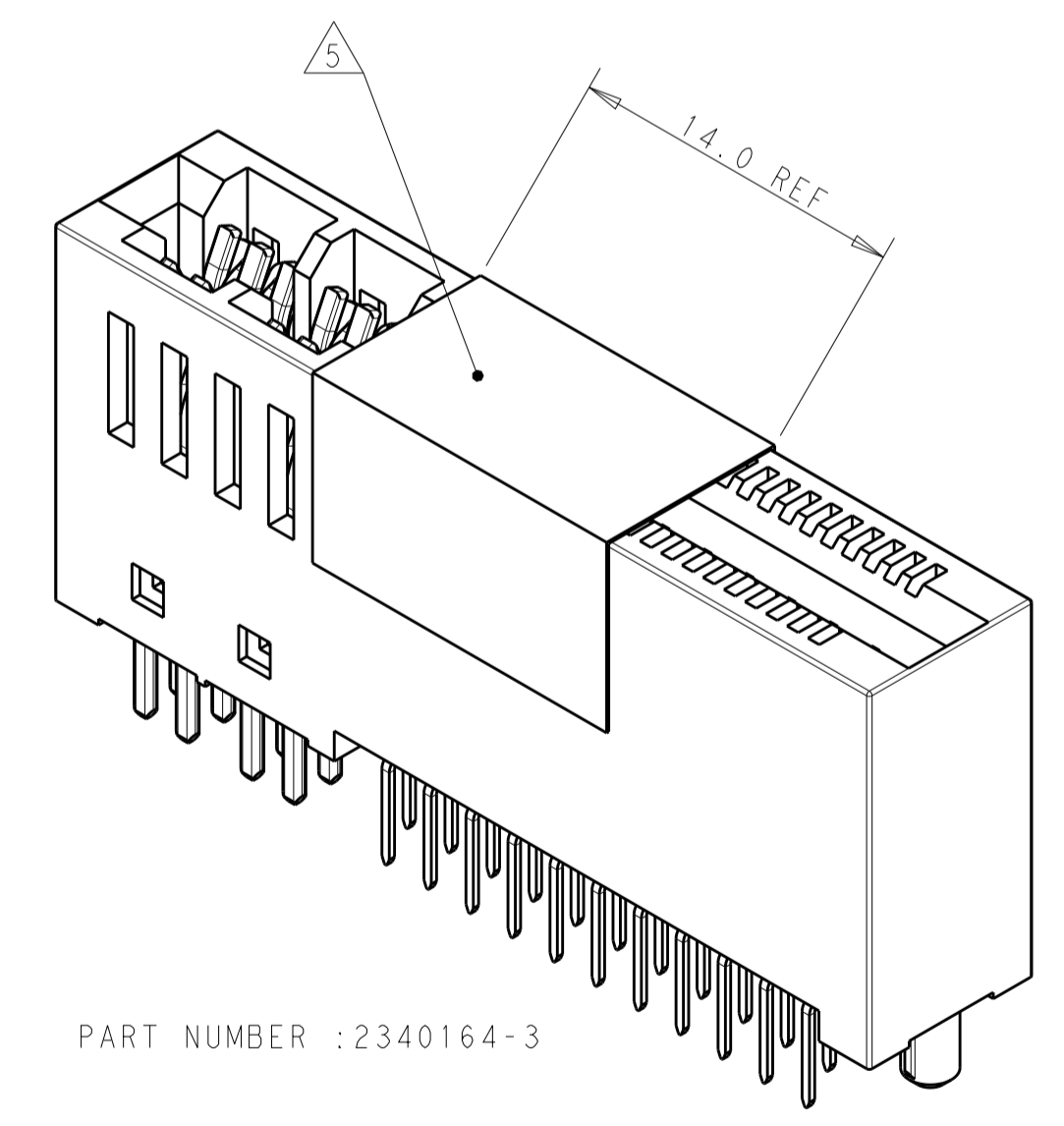


REVISIONS				
P	LTN	DESCRIPTION	DATE	APVD
A		FIRST RELEASE	19AUG2019	SZ SZ
A1		ECO-19-016042	21OCT2019	SZ SZ
A2		ECO-19-017633	07NOV2019	SZ SZ

NOTES, UNLESS OTHERWISE SPECIFIED  
 1. MATERIAL:  
 HOUSING - THERMOPLASTIC, GLASS PREINFORCED, COLOR, BLACK, UL 94V-0  
 CONTACTS- COPPER ALLOY.  
 2. FINISH:  
 MATING AREA - NOBLE METAL OVERALL NICKEL.  
 SOLDER TAIL - MATTE TIN OVERALL NICKEL.  
 3. MARK P/N AND DATA CODE IN APPROX. AREA AS SHOWN.  
 4. NOT RELEASED  
 5. PICK AND PLACE TAPE



SECTION S-S



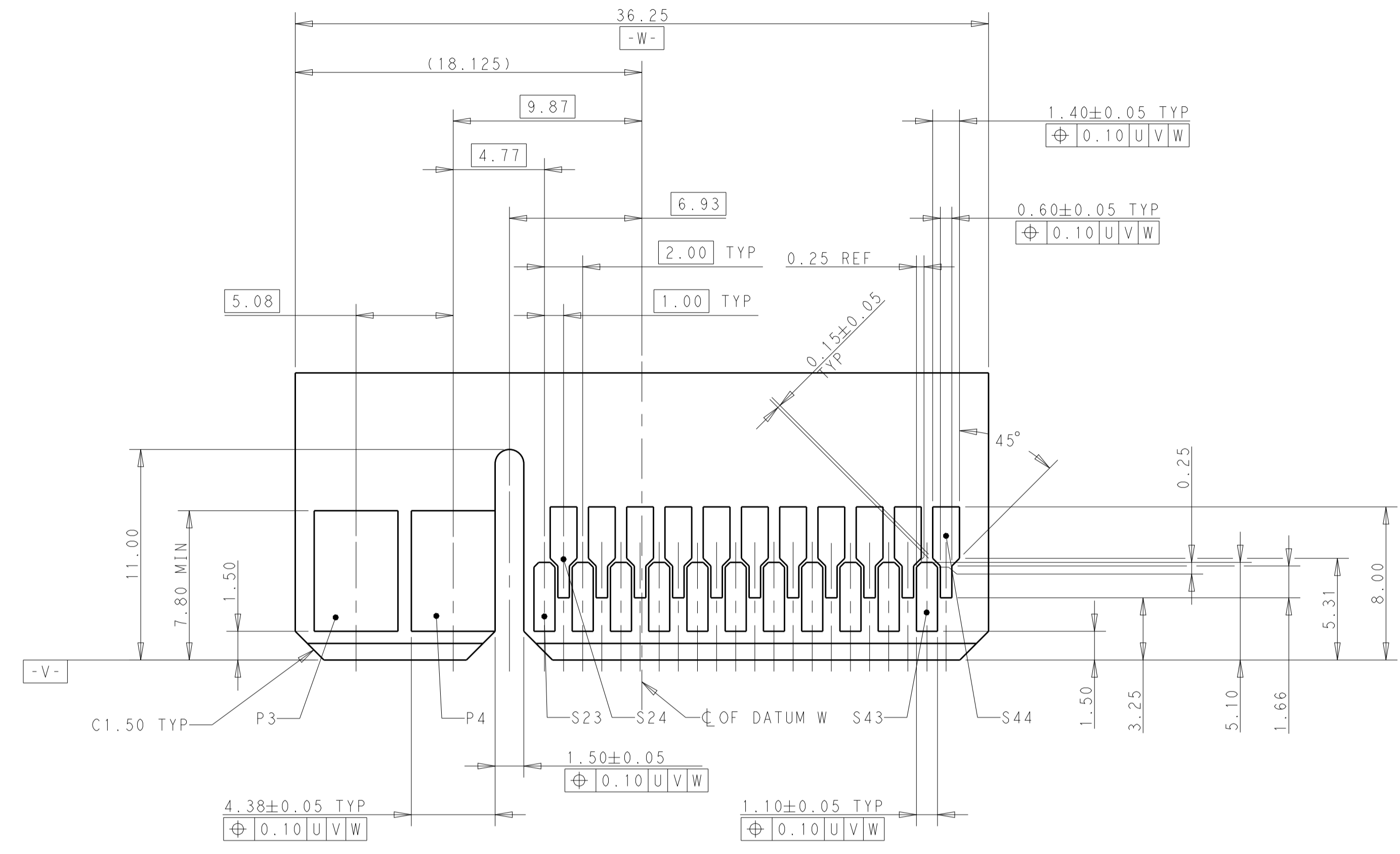
PART NUMBER : 2340164-3

SCALE 4:1

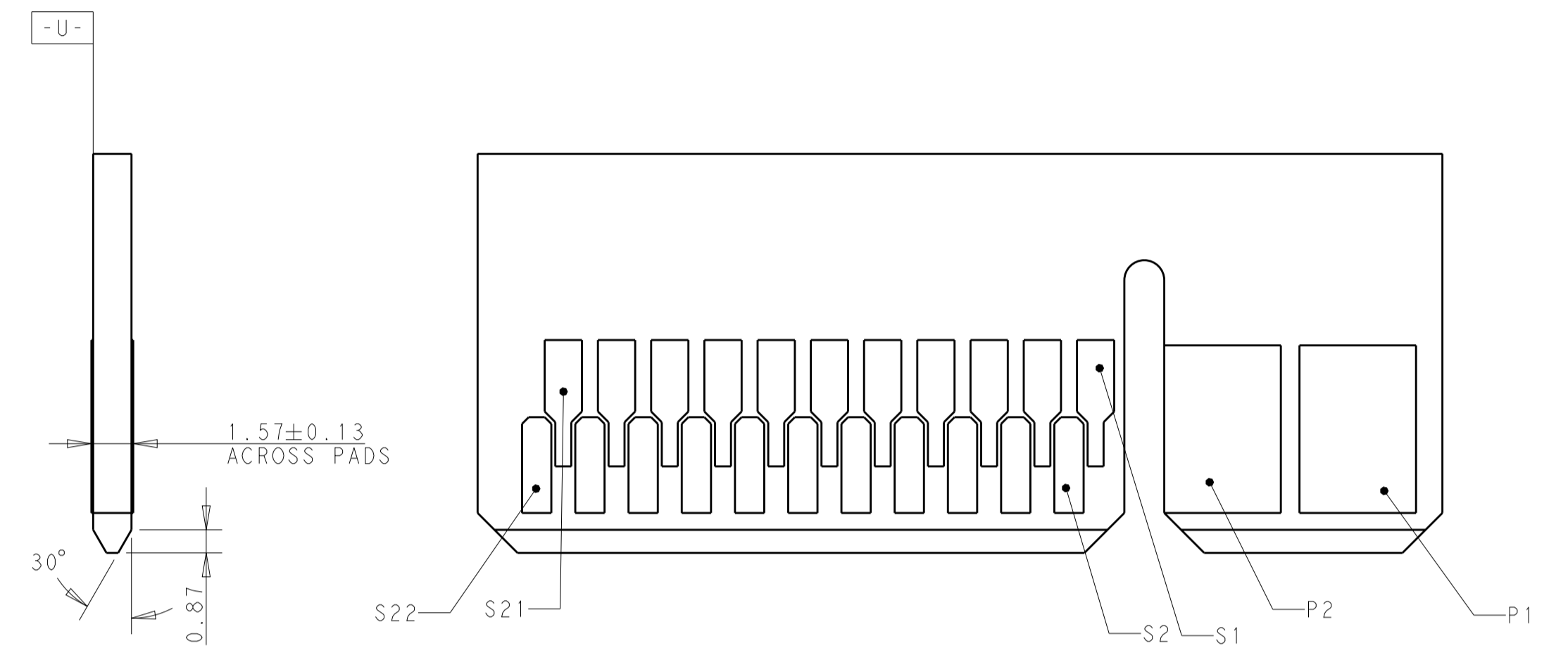
TAPE & REEL	YES	2.90 ± 0.25	2340164-3
HARD TRAY	NO	2.90 ± 0.25	2340164-2
HARD TRAY	NO	3.50 ± 0.25	2340164-1
PACKAGE TYPE	PICK AND PLACE TAPE 5	DIM A	PART NUMBER

THIS DRAWING IS A CONTROLLED DOCUMENT.		OWN: SEAN ZHANG 26JUL2018	TE Connectivity
DIMENSIONS: mm		CHK: SUNY ZHAO 26JUL2018	
TOLERANCES UNLESS OTHERWISE SPECIFIED:		APVD: SUNY ZHAO 26JUL2018	NAME: HD PLUS, CARD EDGE VERTICAL, TH
0 PLC ±0.50	1 PLC ±0.25	PRODUCT SPEC: 108-128091	SIZE: A1
2 PLC ±0.25	3 PLC ±0.25	APPLICATION SPEC:	CAGE CODE: 2340164
4 PLC ±0.25	ANGLES ±0.25	FINISH:	RESTRICTED TO:
MATERIAL:	FINISH:	WEIGHT:	SCALE: 4:1
CUSTOMER DRAWING		SCALE: 4:1	SHEET 1 OF 2

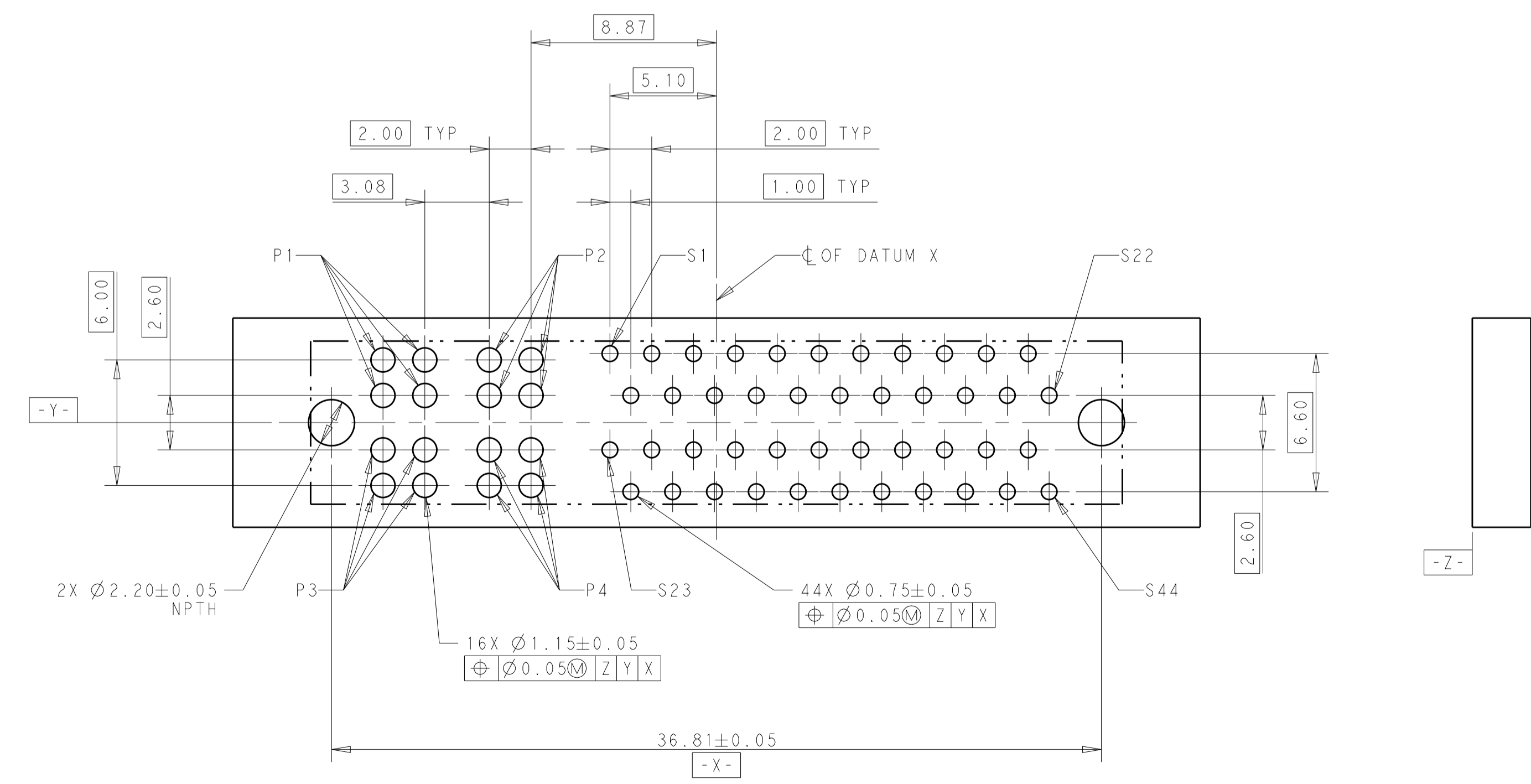
REVISIONS				
P.	LTH	DESCRIPTION	DATE	APVD
		SEE SHEET 1		



RECOMMENDED MATING BOARD EDGE CONFIGURATION (PRIMARY SIDE SHOWN)



RECOMMENDED MATING BOARD EDGE CONFIGURATION (SECONDARY SIDE SHOWN)



RECOMMENDED MOUNTING BOARD CONFIGURATION LAYOUT VIEW FROM COMPONENT SIDE

- NOTES FOR MOUNTING BOARD, UNLESS OTHERWISE SPECIFIED:
1. PLATED THROUGH HOLE, SIGNAL:  
FINISHED HOLE SIZE: 0.75mm.  
DRILL HOLE SIZE: 0.85±0.025mm.
  2. PLATED THROUGH HOLE, POWER:  
FINISHED HOLE SIZE: 1.15mm.  
DRILL HOLE SIZE: 1.25±0.025mm.
  3. COPPER PLATING THICKNESS: 0.025~0.05mm.
  4. SURFACE FINISH: OSP OR IMMERSION TIN PLATING IS RECOMMENDED.

THIS DRAWING IS A CONTROLLED DOCUMENT.		OWN: SEAN ZHANG 26 JUL 2018	TE Connectivity
DIMENSIONS: mm		CHK: -	
TOLERANCES UNLESS OTHERWISE SPECIFIED: 0 PLC ± 1 PLC ±0.20 2 PLC ±0.10 3 PLC ± 4 PLC ± ANGLES ±2°		APVD: -	NAME: HD PLUS, CARD EDGE VERTICAL, TH
MATERIAL: -		PRODUCT SPEC: -	RESTRICTED TO: -
FINISH: -		APPLICATION SPEC: -	SIZE: A1
CUSTOMER DRAWING		WEIGHT: -	CAGE CODE: 2340164
SCALE: 5:1		SHEET: 2 OF 2	REV: A2

## X-ON Electronics

Largest Supplier of Electrical and Electronic Components

*Click to view similar products for [Standard Card Edge Connectors](#) category:*

*Click to view products by [TE Connectivity](#) manufacturer:*

Other Similar products are found below :

[CR7E-30DB-3.96E\(72\)](#) [6364499-1](#) [6565204-6](#) [PKC-156](#) [1437274-4](#) [147889-1](#) [1489165-4](#) [EBT15622B2X](#) [1-582587-1](#) [284-0102-12100](#)  
[286-0052-12101A](#) [306022901000000](#) [307-012-502-202](#) [307-056-520-300](#) [2129318-1](#) [245-062-520-350](#) [287-0032-12101](#) [306-028-525-102](#)  
[307-072-526-202](#) [345-060-559-303](#) [392-008-559-201](#) [534671-1](#) [341-240-317](#) [345-044-500-300](#) [346-240-318](#) [395-100-524-300](#) [09-07-2032](#)  
[10035388-802LF](#) [10115859-011LF](#) [10122859-009LF](#) [10127905-B04B24BLF](#) [530555-1](#) [5-678046-1](#) [73726-0005](#) [66308-1](#) [1-1437275-6](#)  
[PEC-07-02-T-S-A](#) [346-014-520-801](#) [307-048-502-202](#) [CE100F22-9-C](#) [CE100F26-7-C](#) [CE100F28-3-D](#) [CE156F18-9-C](#) [CE156F22-5-D](#)  
[CE156F22-9-C](#) [CT100F22-2-D](#) [CT100F22-3-D](#) [CT100F24-2-D](#) [CT100F24-3-D](#) [CT100F24-6-C](#)