

REVISIONS					
P	LTR	DESCRIPTION	DATE	DWN	APVD
E		REVISED	09APR2021	M.T	H.T

- NOTE
- ① HOUSING AND COVER: LCP, UL94-V0, BLACK.
CONTACTS: COPPER ALLOY.
 - ② GOLD PLATE ON CONTACT AREA.
TIN PLATE ON SOLDER TAIL AREA.
 - ③ APPLICABLE HOST BOARD THICKNESS
 - ④ OFFSET AMOUNT BETWEEN AIC BOARD AND
HOST BOARD CENTER LINE.
 - ⑤ SEE MSA SPECIFICATION FOR ADDITIONAL PADDLE
CARD LAYOUTS COMPATIBLE WITH THIS RECEPTACLE
AND FOR OPTIONAL SPLIT CONTACT PAD LAYOUTS
FOR THE PADDLE CARD. SPECIFICATION PINOUT
MAY ALSO DESIGNATE PAD SEQUENCE DIFFERENT
FROM ILLUSTRATION.
 - ⑥ POSITIONS DESIGNATED AS "SIGNAL" ARE
RECOMMENDED LOCATIONS FOR HIGH SPEED
DIFFERENTIAL PAIR SIGNALING. THESE LOCATIONS
MAY ALSO BE USED FOR SUPPORTING SIDEBAND
SIGNALS OR OTHER UTILITY PURPOSES. POSITIONS
DESIGNATED AS "GROUND" ARE REQUIRED WHEN
SUPPORTING HIGH SPEED DIFFERENTIAL SIGNALS.
THESE LOCATIONS MAY ALSO BE USED FOR SIDEBAND
SIGNALS OR OTHER UTILITY PURPOSES.
 - ⑦ CONTROLLED ACROSS PADS.
 - ⑧ THIS LAYOUT IS ADOPTED IN SFF-TA-1002
 - ⑨ SCREW IS ENCLOSED BY SEPARATE PACKING.
SCREW SIZE: M2
SCREW LENGTH(REF): 6
HEAD SIZE(REF): Ø3.5, 1.3HEIGHT
 - ⑩ DATE CODE MARKING.
 - ⑪ CONNECTOR MUST BE FIXED ON PCB BY SCREW
AFTER SOLDERING.
 - ⑫ ALL CHAMFERED EDGES AND EDGE OF PADS
SHALL BE FREE OF BURRS.
 - ⑬ HOUSING ID MARK

PLATING	PACKAGING	SCREW INCLUSION	④ DIM A	③ DIM B (HOST BOARD THICKNESS)	PARTS No.
0.76 μm Au	SOFT TRAY	YES	0	1.57 ±0.15	2340324-1
		NO	0	1.57 ±0.15	2340324-3
		YES	0.3	1.93 ±0.19	1-2340324-2
		YES	0	2.36 ±0.23	2-2340324-1
		NO	0	2.36 ±0.23	2-2340324-3
		YES	0	2.55 ^{+0.23} , 2.6 ^{+0.23}	4-2340324-1
	HARD TRAY	YES	0	1.57 ±0.15	5-2340324-1
		NO	0	1.57 ±0.15	5-2340324-3
		YES	0.3	1.93 ±0.19	6-2340324-2
		NO	0.3	1.93 ±0.19	6-2340324-4
		YES	0	2.36 ±0.23	7-2340324-1
		NO	0	2.36 ±0.23	7-2340324-3
		YES	0	2.55 ^{+0.23} , 2.6 ^{+0.23}	9-2340324-1

AS SHOWN : -1, -3, 1--2, 2--1, 2--3, 4--1, 5--1,
5--3, 6--2, 6--4, 7--1, 7--3, 9--1

QTY	NAME	ITEM No.
2	M2 SCREW	②
2	M2 NUT PLATE	⑤
4	COVER HOUSING 28P	④
2	COVER HOUSING 14P	③
1	HOUSING	①
140	CONTACT	①

THIS DRAWING IS A CONTROLLED DOCUMENT.

DIMENSIONS: mm

TOLERANCES UNLESS OTHERWISE SPECIFIED: ±0.3

① MATERIAL

② FINISH

DWN: M.TANAKA 30JUL2018
CHK: J.TSUJI 30JUL2018
APVD: K.KOBAYASHI 30JUL2018

TE Connectivity Ltd.

140 POSITION
SLIVER 2.0 STRADDLE MOUNT

108-140197
114-78033

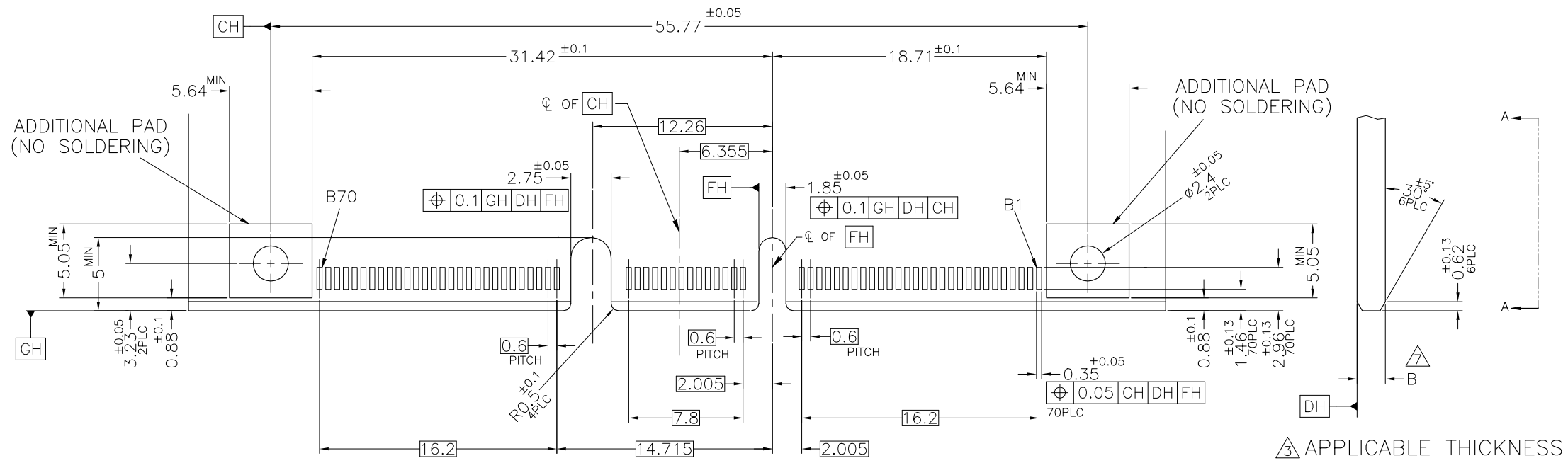
SIZE: A2 CAGE CODE: 00779 DRAWING NO: C=2340324

SCALE: 4:1 SHEET: 1 of 5 REV: E

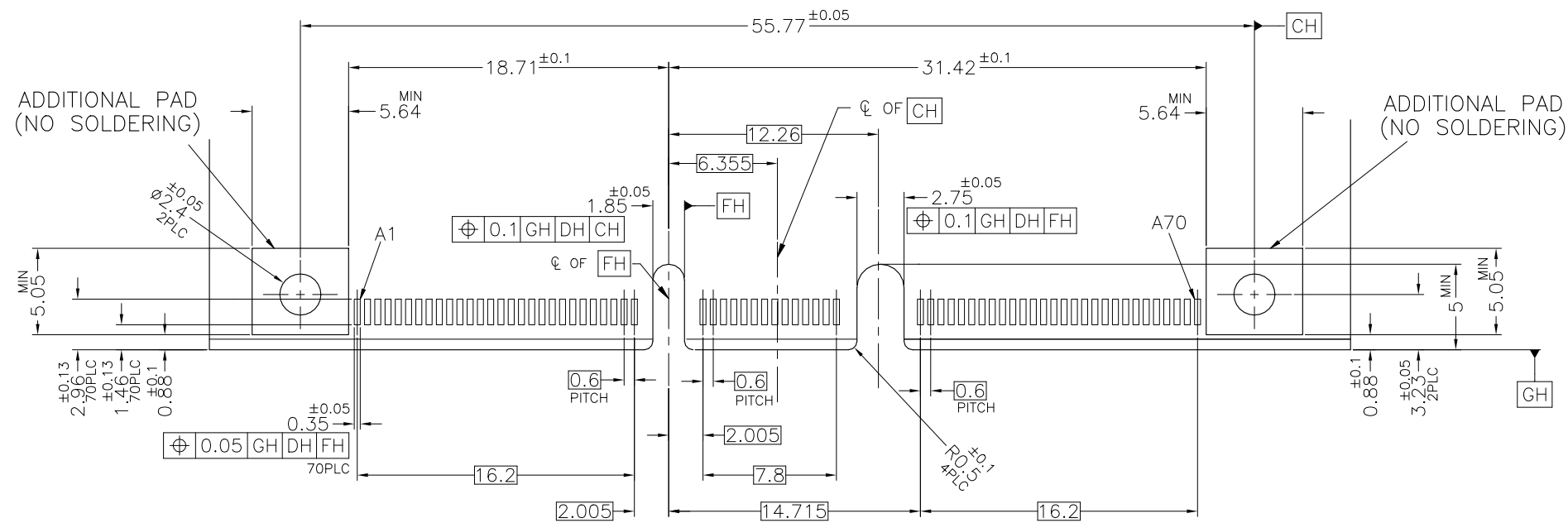
2340324

REVISIONS

P	LTR	DESCRIPTION	DATE	DWN	APVD
-	-	SEE SHEET 1	-	-	-



REFERENCE HOST BOARD LAYOUT



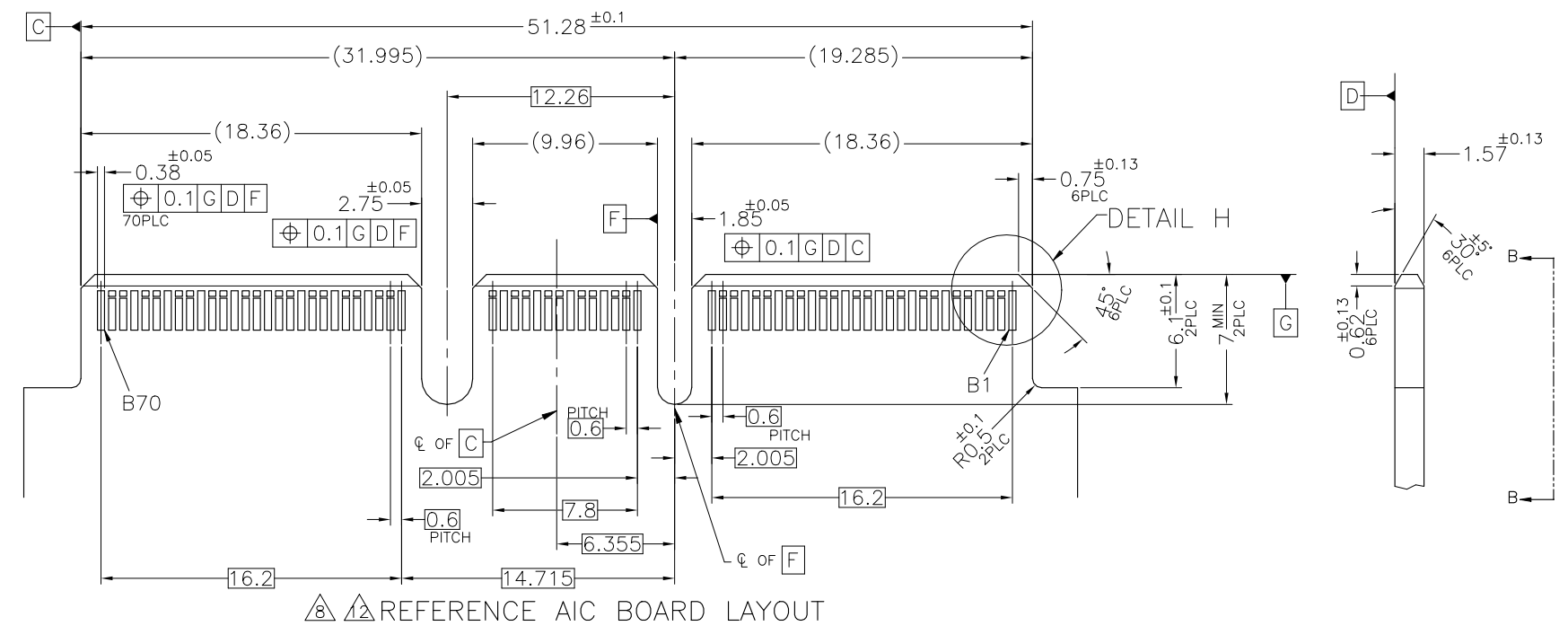
VIEW A-A

HOST BOARD LAYOUT

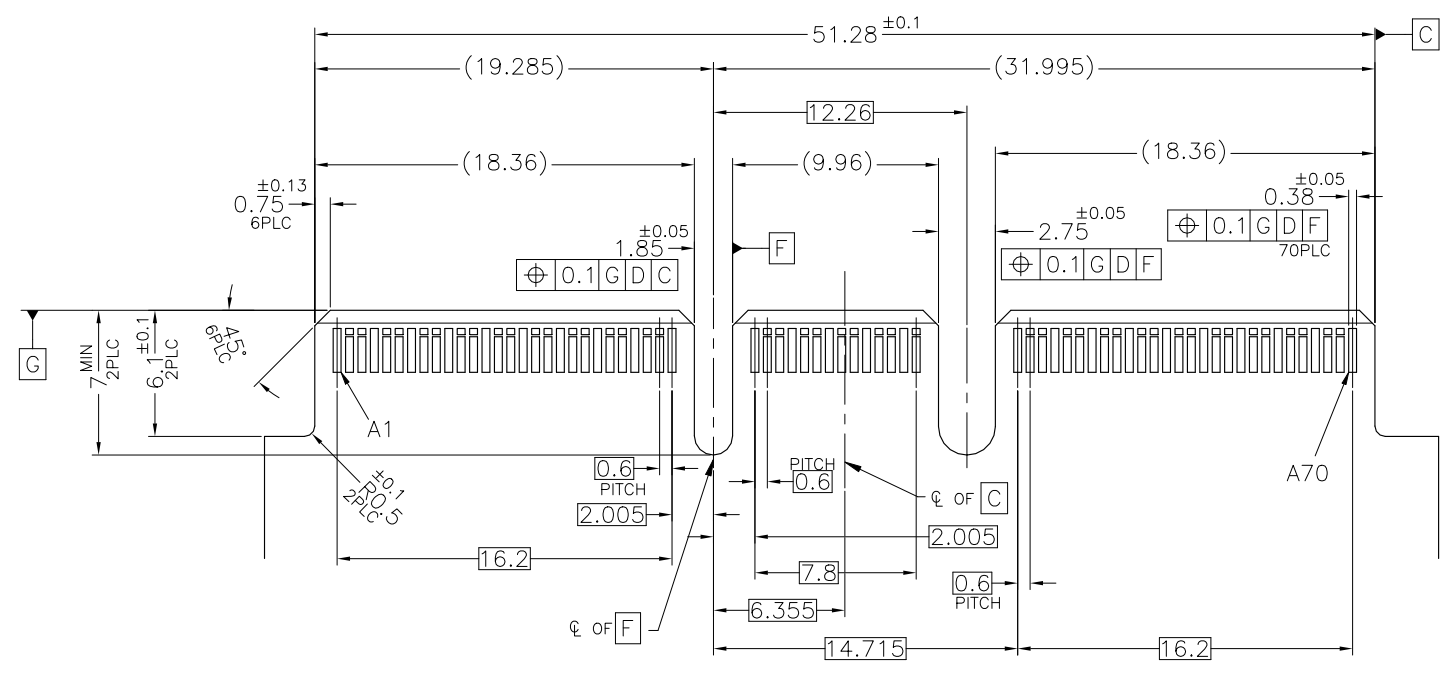
THIS DRAWING IS A CONTROLLED DOCUMENT.		DWN	TE Connectivity Ltd.		
DIMENSIONS: mm		CHK	NAME		
TOLERANCES UNLESS OTHERWISE SPECIFIED: ±0.3		APVD	140 POSITION SLIVER 2.0 STRADDLE MOUNT		
<ul style="list-style-type: none"> Ø-PLC ± +PLC ± 2-PLC ± 3-PLC ± 4-PLC ± ANGLES ± FINISH 		PRODUCT SPEC	SIZE	CAGE CODE	DRAWING NO
MATERIAL		APPLICATION SPEC	A2	00779	C=2340324
		WEIGHT	RESTRICTED TO		
CUSTOMER DRAWING		SCALE	SHEET		REV
		4:1	2 of 5		E

REVISIONS

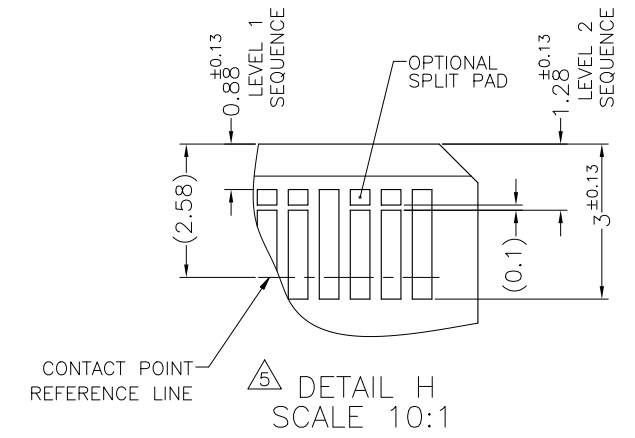
P	LTR	DESCRIPTION	DATE	DWN	APVD
-	-	SEE SHEET 1	-	-	-



REFERENCE AIC BOARD LAYOUT



VIEW B-B



DETAIL H SCALE 10:1

THIS DRAWING IS A CONTROLLED DOCUMENT.		DWN	TE Connectivity Ltd.		
DIMENSIONS: mm		CHK	NAME		
TOLERANCES UNLESS OTHERWISE SPECIFIED: ±0.3		APVD	140 POSITION SLIVER 2.0 STRADDLE MOUNT		
<ul style="list-style-type: none"> 6-PLC ± 4-PLC ± 2-PLC ± 3-PLC ± 4-PLC ± 		PRODUCT SPEC	SIZE	CAGE CODE	DRAWING NO
MATERIAL		APPLICATION SPEC	A2	00779	C=2340324
FINISH		WEIGHT	CUSTOMER DRAWING		RESTRICTED TO
		SCALE	4:1	SHEET	3 of 5
		REV	E		


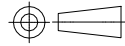
2340324

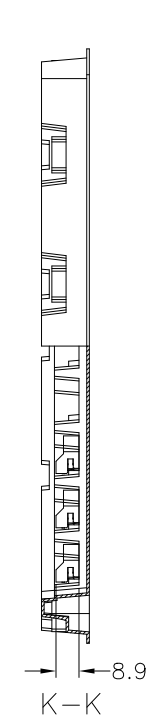
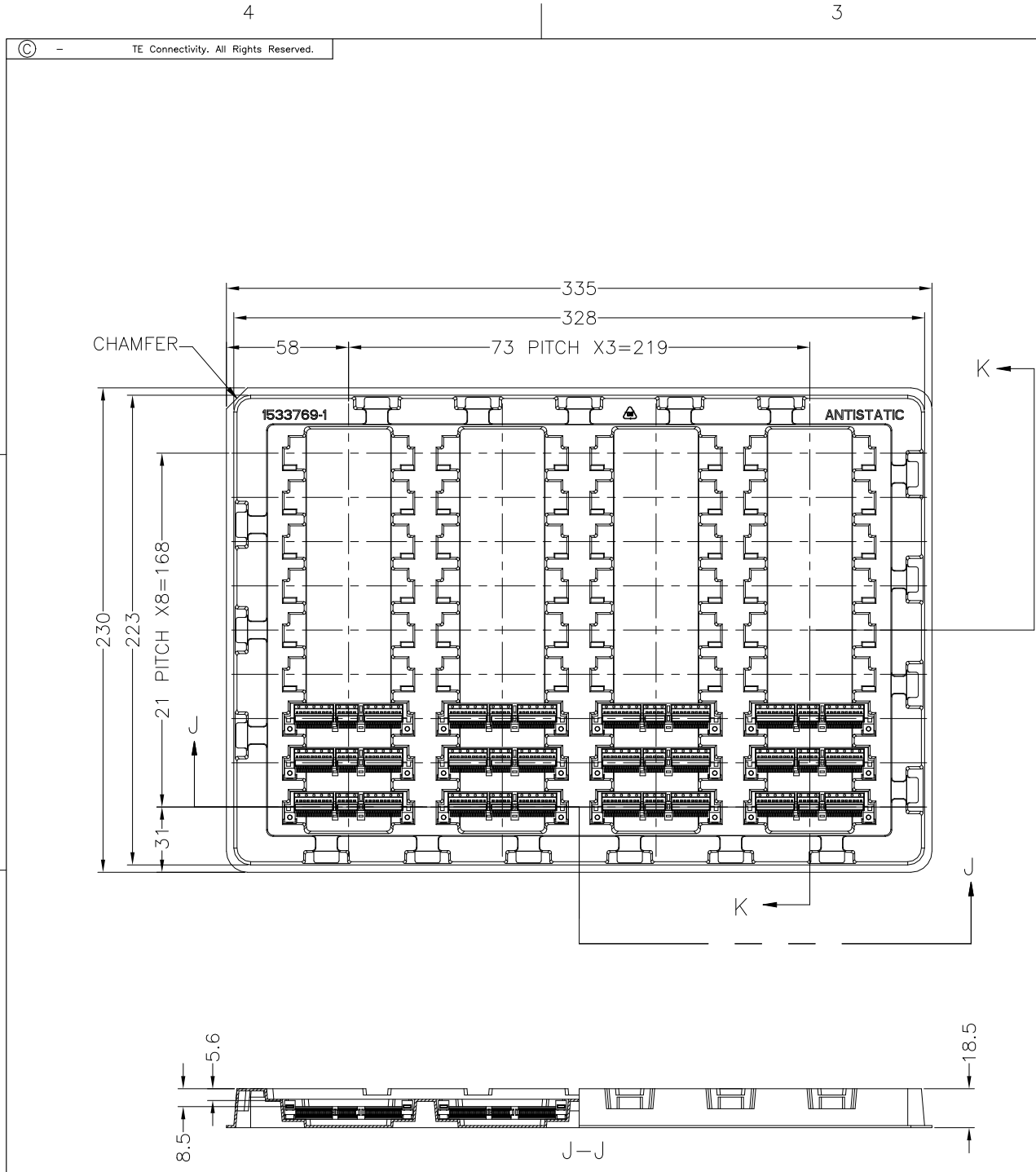
REVISIONS					
P	LTR	DESCRIPTION	DATE	DWN	APVD
-	-	SEE SHEET 1	-	-	-

CONNECTOR CONTACT IDENTIFICATION

CONTACT NUMBER	SIDE A	SIDE B
1	GROUND	GROUND
2	SIGNAL	SIGNAL
3	SIGNAL	SIGNAL
4	GROUND	GROUND
5	SIGNAL	SIGNAL
6	SIGNAL	SIGNAL
7	GROUND	GROUND
8	SIGNAL	SIGNAL
9	SIGNAL	SIGNAL
10	GROUND	GROUND
11	SIGNAL	SIGNAL
12	SIGNAL	SIGNAL
13	GROUND	GROUND
14	SIGNAL	SIGNAL
15	SIGNAL	SIGNAL
16	GROUND	GROUND
17	SIGNAL	SIGNAL
18	SIGNAL	SIGNAL
19	GROUND	GROUND
20	SIGNAL	SIGNAL
21	SIGNAL	SIGNAL
22	GROUND	GROUND
23	SIGNAL	SIGNAL
24	SIGNAL	SIGNAL
25	GROUND	GROUND
26	SIGNAL	SIGNAL
27	SIGNAL	SIGNAL
28	GROUND	GROUND
29	GROUND	GROUND
30	SIGNAL	SIGNAL
31	SIGNAL	SIGNAL
32	GROUND	GROUND
33	SIGNAL	SIGNAL
34	SIGNAL	SIGNAL
35	GROUND	GROUND

CONTACT NUMBER	SIDE A	SIDE B
36	SIGNAL	SIGNAL
37	SIGNAL	SIGNAL
38	GROUND	GROUND
39	SIGNAL	SIGNAL
40	SIGNAL	SIGNAL
41	GROUND	GROUND
42	GROUND	GROUND
43	GROUND	GROUND
44	SIGNAL	SIGNAL
45	SIGNAL	SIGNAL
46	GROUND	GROUND
47	SIGNAL	SIGNAL
48	SIGNAL	SIGNAL
49	GROUND	GROUND
50	SIGNAL	SIGNAL
51	SIGNAL	SIGNAL
52	GROUND	GROUND
53	SIGNAL	SIGNAL
54	SIGNAL	SIGNAL
55	GROUND	GROUND
56	SIGNAL	SIGNAL
57	SIGNAL	SIGNAL
58	GROUND	GROUND
59	SIGNAL	SIGNAL
60	SIGNAL	SIGNAL
61	GROUND	GROUND
62	SIGNAL	SIGNAL
63	SIGNAL	SIGNAL
64	GROUND	GROUND
65	SIGNAL	SIGNAL
66	SIGNAL	SIGNAL
67	GROUND	GROUND
68	SIGNAL	SIGNAL
69	SIGNAL	SIGNAL
70	GROUND	GROUND

THIS DRAWING IS A CONTROLLED DOCUMENT.		DWN	 TE Connectivity Ltd.		
DIMENSIONS: mm		CHK	NAME		
		APVD	140 POSITION SLIVER 2.0 STRADDLE MOUNT		
TOLERANCES UNLESS OTHERWISE SPECIFIED:		PRODUCT SPEC	SIZE	CAGE CODE	DRAWING NO
0-PLC ±		APPLICATION SPEC	A2	00779	C=2340324
1-PLC ±		WEIGHT	RESTRICTED TO		
2-PLC ±		CUSTOMER DRAWING	SCALE NTS SHEET 4 of 5 REV E		
3-PLC ±					
4-PLC ±					
ANGLES ±					
FINISH					



REVISIONS					
P	LTR	DESCRIPTION	DATE	DWN	APVD
-	-	SEE SHEET 1	-	-	-

SOFT TRAY PACKAGING: -1, -3, 1--2, 2--1, 2--3, 4--1

1. MATERIAL: HIPS, COLOR: NATURAL
2. QTY. : 9 X 4 = 36 POCKETS PER TRAY
3. TOLERANCES ON TRAY DIMENSIONS ARE REFERENCE

HARD TRAY PACKAGING: 5--1, 6--2, 7--1
5--3, 6--4, 7--3, 9--1

1. MATERIAL: HIPS, COLOR: BLACK
2. QTY. : 6 X 5 = 30 POCKETS PER TRAY
3. MARKING
4. TOLERANCES ON TRAY DIMENSIONS ARE REFERENCE

THIS DRAWING IS A CONTROLLED DOCUMENT.		DWN	TE Connectivity Ltd.		
DIMENSIONS: mm		CHK	NAME		
TOLERANCES UNLESS OTHERWISE SPECIFIED:		APVD	140 POSITION SLIVER 2.0 STRADDLE MOUNT		
0-PLG ±		PRODUCT SPEC	SIZE	CAGE CODE	DRAWING NO
+ PLG ±		APPLICATION SPEC	A2	00779	C=2340324
2-PLG ±		WEIGHT	RESTRICTED TO		
3-PLG ±		CUSTOMER DRAWING	SCALE NTS SHEET 5 of 5 REV E		
4-PLG ±					
ANGLES ±					
FINISH ±					

X-ON Electronics

Largest Supplier of Electrical and Electronic Components

Click to view similar products for [Standard Card Edge Connectors](#) category:

Click to view products by [TE Connectivity](#) manufacturer:

Other Similar products are found below :

[CR7E-30DB-3.96E\(72\)](#) [6364499-1](#) [6565204-6](#) [PKC-156](#) [1437274-4](#) [147889-1](#) [1489165-4](#) [EBT15622B2X](#) [1-582587-1](#) [284-0102-12100](#)
[286-0052-12101A](#) [306022901000000](#) [307-012-502-202](#) [307-056-520-300](#) [2129318-1](#) [245-062-520-350](#) [287-0032-12101](#) [306-028-525-102](#)
[307-072-526-202](#) [345-060-559-303](#) [392-008-559-201](#) [534671-1](#) [341-240-317](#) [345-044-500-300](#) [346-240-318](#) [395-100-524-300](#) [09-07-2032](#)
[10035388-802LF](#) [10115859-011LF](#) [10122859-009LF](#) [10127905-B04B24BLF](#) [530555-1](#) [5-678046-1](#) [73726-0005](#) [66308-1](#) [1-1437275-6](#)
[PEC-07-02-T-S-A](#) [346-014-520-801](#) [307-048-502-202](#) [CE100F22-9-C](#) [CE100F26-7-C](#) [CE100F28-3-D](#) [CE156F18-9-C](#) [CE156F22-5-D](#)
[CE156F22-9-C](#) [CT100F22-2-D](#) [CT100F22-3-D](#) [CT100F24-2-D](#) [CT100F24-3-D](#) [CT100F24-6-C](#)