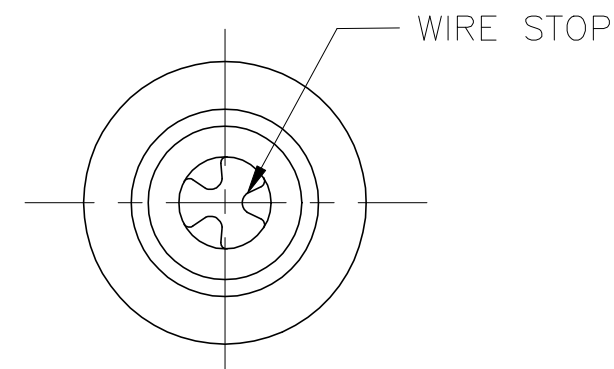
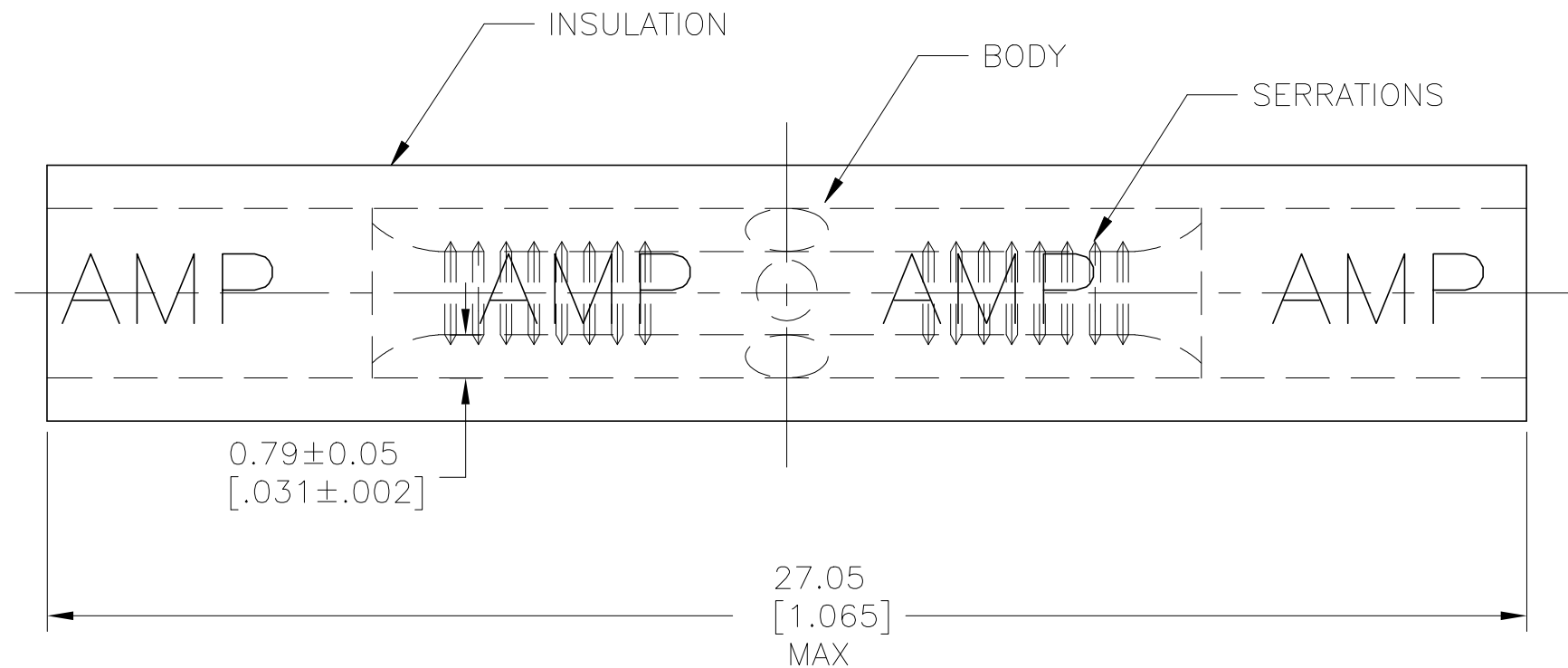


REVISIONS

| P | LTR | DESCRIPTION | DATE | DWN | APVD |
|----|-----|---------------------------|-----------|-----|------|
| G2 | | REDRAW PER ECO-11-020548 | 02FEB12 | KH | DR |
| G3 | | REVISED PER ECO-19-004232 | 19JUN2019 | RS | DR |

- 1 FOR 2.03[.080] TO 3.05[.120] WIRE INS. DIA
- 2 WIRE SIZE IS 22-16 AWG



| QTY | PACKAGE TYPE | MATERIAL & FINISH | PART NO |
|------|---------------|---|-----------|
| 100 | LOOSE PC,BOX | MATERIAL: BODY: COPPER PER ASTM B152 INSULATION: PVC | 8-34067-1 |
| 2500 | 34067 ON TAPE | FINISH: BODY: TIN PLATE PER ASTM B545 INSULATION: COLOR-RED | 2-34067-1 |
| 1000 | LOOSE PIECE | | 34067 |

| | | | | | |
|---|--|---------------------------------|---|--------------------|--------------------|
| THIS DRAWING IS A CONTROLLED DOCUMENT. | | DWN KIRAN HOLAL 02FEB12 | STE TE Connectivity | | |
| | | CHK ROHDE DANIEL 02FEB12 | | | |
| DIMENSIONS: mm [INCHES] | | APVD ROHDE DANIEL 02FEB12 | NAME WIRE SPLICE, PLASTI-GRIP, BUTT, WIRE SIZE: 22-16 AWG | | |
| TOLERANCES UNLESS OTHERWISE SPECIFIED: 0 PLC ± - 1 PLC ± - 2 PLC ± - 3 PLC ± 0.20[.008] 4 PLC ± - ANGLES ± 5' | | PRODUCT SPEC - | APPLICATION SPEC - | | |
| MATERIAL SEE TABLE | | FINISH SEE TABLE | WEIGHT - | SIZE A3 | CAGE CODE 00779 |
| | | | DRAWING NO C-34067 | RESTRICTED TO - | |
| CUSTOMER DRAWING | | | SCALE 8:1 | SHEET 1 OF 1 | REV G3 |

X-ON Electronics

Largest Supplier of Electrical and Electronic Components

Click to view similar products for [Terminals](#) category:

Click to view products by [TE Connectivity](#) manufacturer:

Other Similar products are found below :

[00-054007-01074-6](#) [00-054007-70206-1](#) [00-054007-70210-8](#) [00-054007-70217-7](#) [00-054007-70226-9](#) [00-054007-70228-3](#) [00-054007-70248-1](#) [00-054007-70256-6](#) [00-054007-70301-3](#) [00-054007-70316-7](#) [00-054007-49560-4](#) [00-054007-70209-2](#) [00-054007-70225-2](#) [00-054007-70227-6](#) [00-054007-70231-3](#) [00-054007-70241-2](#) [00-054007-70242-9](#) [00-054007-70244-3](#) [00-054007-70246-7](#) [00-054007-70263-4](#) [00-054007-70288-7](#) [00-054007-70290-0](#) [00-054007-70300-6](#) [00-054007-70304-4](#) [01-2065-1-0216](#) [01-2900-1-04412](#) [00581P0075](#) [600TS-10](#) [60205-1](#) [604200-1](#) [605601-1](#) [60598-1-CUT-TAPE](#) [61314-6-C](#) [61810-3](#) [61-S](#) [61-SN](#) [626-0194](#) [62-NBM-A](#) [62-SN](#) [62-SP](#) [63-S](#) [640179-1](#) [M55155/059I03](#) [M55155/079C01](#) [M55155/099H02](#) [M55155/109H01](#) [M55155/109H02](#) [M55155/12XH05](#) [M55155/16XH02](#) [M55155/29-5S](#)