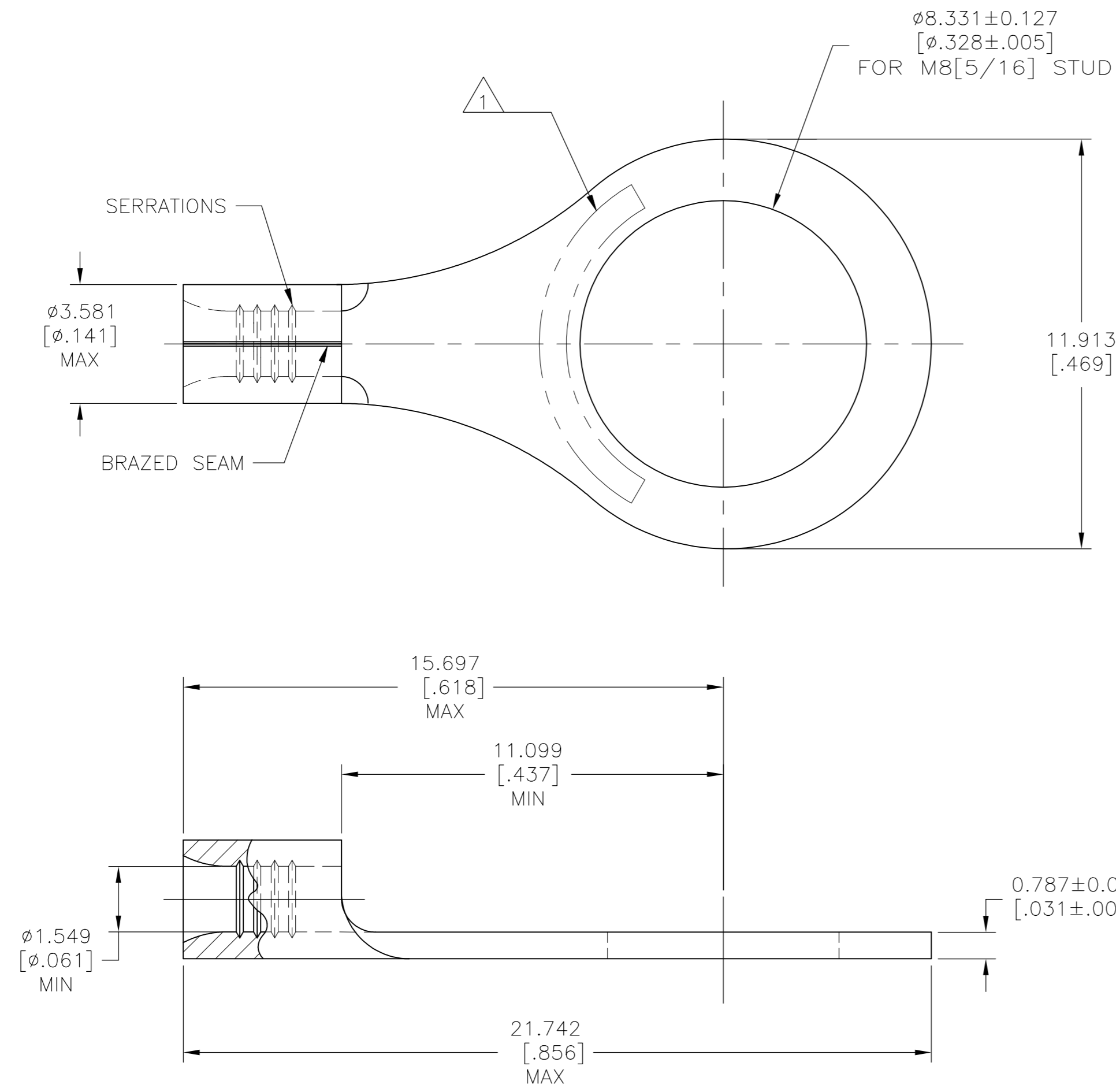


THIS DRAWING IS UNPUBLISHED.
 RELEASED FOR PUBLICATION
 ALL RIGHTS RESERVED.

REVISIONS					
P	LTR	DESCRIPTION	DATE	DWN	APVD
D1		REVISED PER ECO-15-013426	18SEP2015	NK	DR
D2		REVISED PER ECO-17-008806	15FEB2018	RS	DR



AMP
 WIRE RANGE

22-16 AWG
 SOLID OR STRANDED

- 1 STAMP AMP 22-18* APPROX AS SHOWN
22-16 TERMINALS ARE STAMPED 22-18 IN
ACCORDANCE WITH MILITARY SPEC SAE AS7928
COMMERCIAL WIRE RANGE IS 22-16
- 2 TIN PLATE 0.00254[.000100] MIN EXT THK
PER ASTM-B545
- 3 NOTE DELETED
- 4 NOTE DELETED
- 5 NICKEL PLATED 0.00762 [.000300] MIN EXT THK
PER SAE AMS QQ-N-290.
- 6 UL LISTED E13288, 22-16 AWG SOLID OR STRANDED.
- 7 CSA CERTIFIED LR7189, 22-16 AWG SOLID OR STRANDED
- 8 MILITARY P/N AND CLASS: M7928/7-5 CLASS 2
- 9 COPPER PER ASTM B152 ANNEALED
- 10 NOTE DELETED
- 11 UL 486 A-B OR SAE AS7928

7 6	100	170°C[338°F] MAX	LOOSE PIECE, BOX	2	8-34114-1
8 7 6	5000	170°C[338°F] MAX	34114 ON TAPE	2	2-34114-2
	1000	343°C[649°F] MAX	LOOSE PIECE	5	34114-4
8 7 6	1000	170°C[338°F] MAX	LOOSE PIECE	2	34114
	QTY	MAX TEMP.	PACKAGE TYPE	FINISH	PART NUMBER

AMP INCORPORATED CUSTOMER SERVICE SYSTEMS		MAX RECOMMENDED OPERATING TEMPERATURE: SEE TABLE	THIS DRAWING IS A CONTROLLED DOCUMENT.		DWN TA BRINKMAN 3-10-93	STE TE Connectivity Ltd.
FOR ADDITIONAL PRODUCT INFORMATION OR COPIES OF DRAWINGS AND TECHNICAL DOCUMENTS	PRODUCT INFORMATION CENTER 1-800-522-6752	VOLTAGE RATING: N/A	DIMENSIONS: mm [INCHES]	TOLERANCES UNLESS OTHERWISE SPECIFIED: 0 PLC ± - 1 PLC ± - 2 PLC ± - 3 PLC ± 0.127[.005] 4 PLC ± - ANGLES ± -	CHK DA PATTERSON 3-10-93	
FOR APPLICATION	TOOLING ASSISTANCE CENTER 1-800-722-1111	CIRCULAR MIL AREA: 0.26-1.65mm ² [509-3260] CIR MILS SOLID OR STRANDED	MATERIAL		APVD DE MILLER 3-10-93	TERMINAL, RING TONGUE, SOLISTRAND 22-16 AWG
TOOLING INFORMATION	1-800-526-5142	FINISH SEE TABLE		APPLICATION SPEC		SIZE CAGE CODE DRAWING NO. RESTRICTED TO
FOR ORDER ENTRY	1-800-526-5142	9		WEIGHT		A2 00779 C-34114
THIS DRAWING IS A CONTROLLED DOCUMENT FOR AMP INCORPORATED. IT IS SUBJECT TO CHANGE AND THE CONTROLLING ENGINEERING ORGANIZATION SHOULD BE CONTACTED FOR THE LATEST REVISION.		CUSTOMER DRAWING		SCALE 8:1	SHEET 1 of 1	REV D2

X-ON Electronics

Largest Supplier of Electrical and Electronic Components

Click to view similar products for [Terminals](#) category:

Click to view products by [TE Connectivity](#) manufacturer:

Other Similar products are found below :

[00-054007-01074-6](#) [00-054007-70206-1](#) [00-054007-70210-8](#) [00-054007-70217-7](#) [00-054007-70226-9](#) [00-054007-70228-3](#) [00-054007-70248-1](#) [00-054007-70256-6](#) [00-054007-70301-3](#) [00-054007-70316-7](#) [0-0320562-0](#) [00-054007-49560-4](#) [00-054007-70209-2](#) [00-054007-70225-2](#) [00-054007-70227-6](#) [00-054007-70231-3](#) [00-054007-70241-2](#) [00-054007-70242-9](#) [00-054007-70244-3](#) [00-054007-70246-7](#) [00-054007-70263-4](#) [00-054007-70288-7](#) [00-054007-70290-0](#) [00-054007-70300-6](#) [00-054007-70304-4](#) [01-2065-1-0216](#) [01-2900-1-04412](#) [00581P0075](#) [600TS-10](#) [60205-1](#) [604200-1](#) [605601-1](#) [60598-1-CUT-TAPE](#) [61314-6-C](#) [61810-3](#) [61-S](#) [61-SN](#) [626-0194](#) [62-NBM-A](#) [62-SN](#) [62-SP](#) [63-S](#) [640179-1](#) [M55155/059I03](#) [M55155/079C01](#) [M55155/099H02](#) [M55155/109H01](#) [M55155/109H02](#) [M55155/12XH05](#) [M55155/16XH02](#)