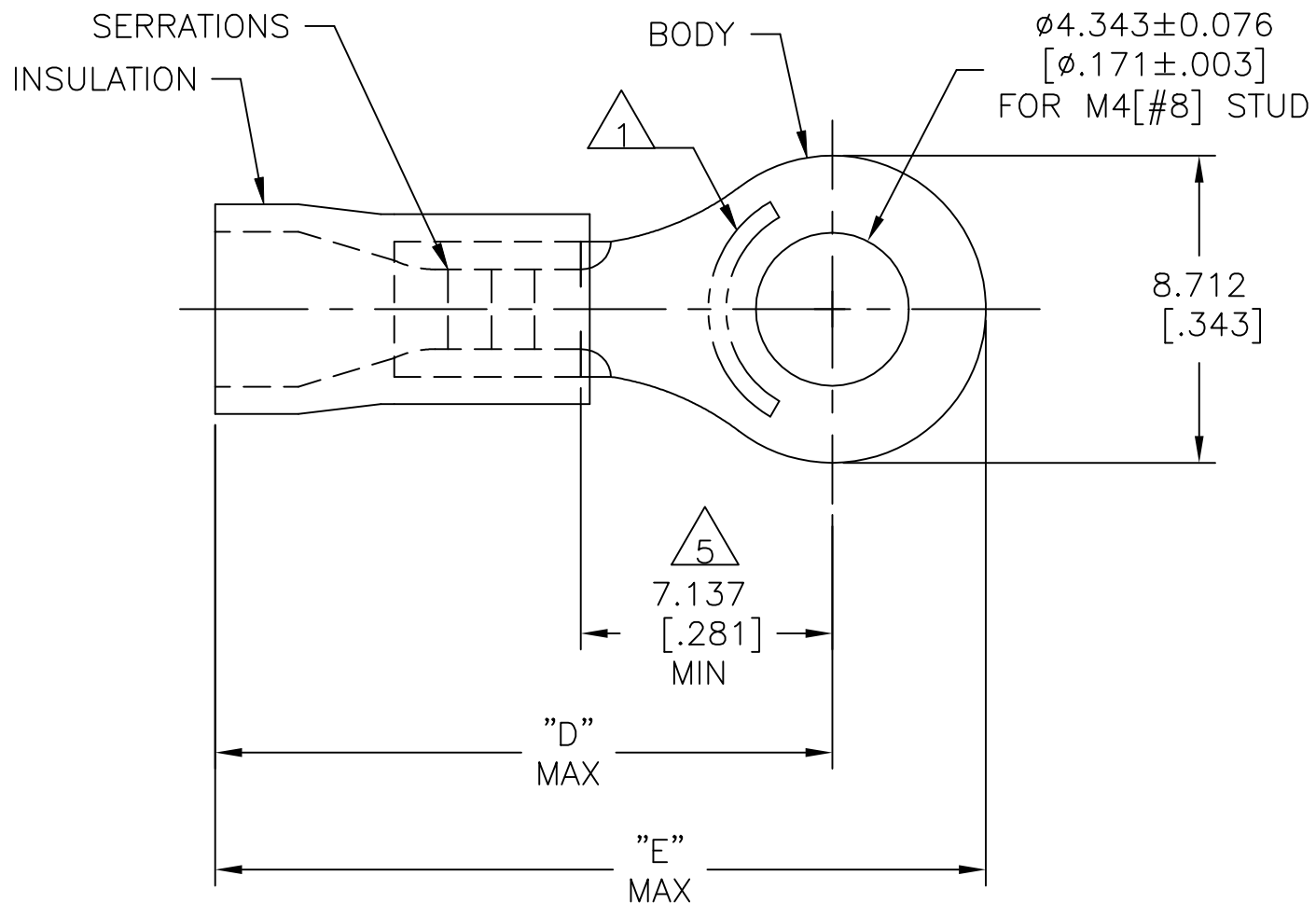


P	LTR	DESCRIPTION	DATE	DWN	APVD
	R1	REVISED PER ECO-11-004587	11MAR11	RK	HMR
	R2	REVISED PER ECO-17-014338	14MAY2018	RS	DR

AMP WIRE RANGE	Listed	LR7189 Certified
16-14 AWG SOLID OR STRANDED	16-14 AWG SOLID OR STRANDED	16-14 AWG SOLID OR STRANDED



- 1 STAMP AMP 16-14* APPROX AS SHOWN
- 2 BODY MATERIAL THK: 0.787±0.051[.031±.002]
- 3 NOTE DELETED
- 4 MATERIAL: BODY - CU PER ASTM B152
SLEEVE - PVC
- 5 APPLIES FROM CENTER OF STUD HOLE
TO EDGE OF METAL WIRE BARREL

22.123 [.871]	17.704 [.697]	2.997-4.902 [.118-.193]	100	LOOSE PIECE, BOX	8-34160-1
23.368 [.920]	18.948 [.746]	3.810-.635 [.150-.250]	1000	LOOSE PIECE	2-34160-2
22.123 [.871]	17.704 [.697]	2.997-4.902 [.118-.193]	5000	ON TAPE, REEL	2-34160-1
			1000	LOOSE PIECE	34160
"E"	"D"	WIRE INSULATION DIA	QTY	PACKAGE TYPE	PART NUMBER

AMP INCORPORATED
CUSTOMER SERVICE SYSTEMS

MAX RECOMMENDED OPERATING
TEMPERATURE:
105°C [221°F]

THIS DRAWING IS A CONTROLLED DOCUMENT.

DWN DK SCHRUM 02/08/93

STE TE Connectivity Ltd.

FOR ADDITIONAL
PRODUCT INFORMATION OR
COPIES OF DRAWINGS
AND TECHNICAL DOCUMENTS

PRODUCT INFORMATION CENTER
1-800-522-6752

VOLTAGE RATING:
600 V
(1000 V FIXTURE OR SIGN)

DIMENSIONS:
mm [INCHES]

TOLERANCES UNLESS
OTHERWISE SPECIFIED:

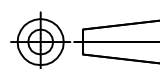
CHK RE HERSEY 8/15/93

NAME
M BARNABA
PRODUCT SPEC
UL 486A-B
APPLICATION SPEC
114-2161

FOR APPLICATION
TOOLING INFORMATION

TOOLING ASSISTANCE CENTER
1-800-722-1111

CIRCULAR MIL AREA:
1.04-2.62mm²[2,050-5,180]
SOLID OR STRANDED



0 PLC ± -
1 PLC ± -
2 PLC ± -
3 PLC ± 0.127[.005]
4 PLC ± -
ANGLES ± -

APVD M BARNABA 8/15/93

SIZE A3 CAGE CODE 00779 DRAWING NO C-34160 RESTRICTED TO -

FOR ORDER ENTRY
1-800-526-5142

THIS DRAWING IS A CONTROLLED DOCUMENT FOR
AMP INCORPORATED. IT IS SUBJECT TO CHANGE
AND THE CONTROLLING ENGINEERING ORGANIZATION
SHOULD BE CONTACTED FOR THE LATEST REVISION.

MATERIAL



FINISH
BODY:
TIN PER ASTM B545
INSULATION:
COLOR - BLUE

CUSTOMER DRAWING

SCALE 4:1 SHEET 1 OF 1 REV R2

X-ON Electronics

Largest Supplier of Electrical and Electronic Components

Click to view similar products for [Terminals](#) category:

Click to view products by [TE Connectivity](#) manufacturer:

Other Similar products are found below :

[00-054007-01074-6](#) [00-054007-70206-1](#) [00-054007-70210-8](#) [00-054007-70217-7](#) [00-054007-70226-9](#) [00-054007-70228-3](#) [00-054007-70248-1](#) [00-054007-70256-6](#) [00-054007-70301-3](#) [00-054007-70316-7](#) [00-054007-49560-4](#) [00-054007-70209-2](#) [00-054007-70225-2](#) [00-054007-70227-6](#) [00-054007-70231-3](#) [00-054007-70241-2](#) [00-054007-70242-9](#) [00-054007-70244-3](#) [00-054007-70246-7](#) [00-054007-70263-4](#) [00-054007-70288-7](#) [00-054007-70290-0](#) [00-054007-70300-6](#) [00-054007-70304-4](#) [01-2065-1-0216](#) [01-2900-1-04412](#) [00581P0075](#) [600TS-10](#) [60205-1](#) [604200-1](#) [605601-1](#) [60598-1-CUT-TAPE](#) [61314-6-C](#) [61810-3](#) [61-S](#) [61-SN](#) [626-0194](#) [62-NBM-A](#) [62-SN](#) [62-SP](#) [63-S](#) [640179-1](#) [M55155/059I03](#) [M55155/079C01](#) [M55155/099H02](#) [M55155/109H01](#) [M55155/109H02](#) [M55155/12XH05](#) [M55155/16XH02](#) [M55155/29-5S](#)