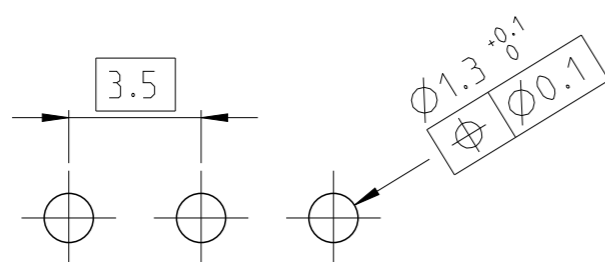
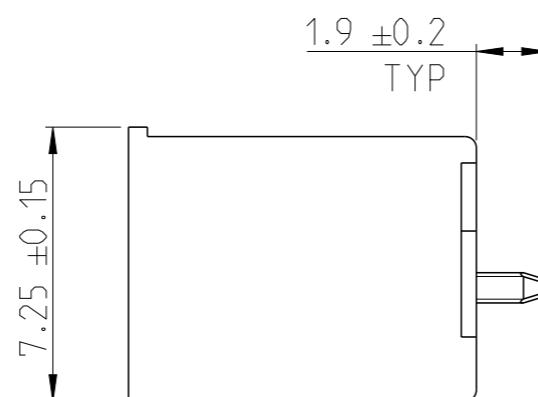
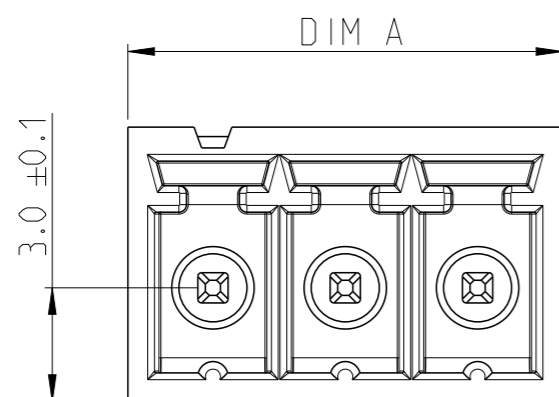
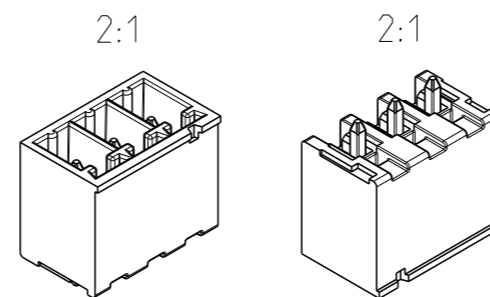
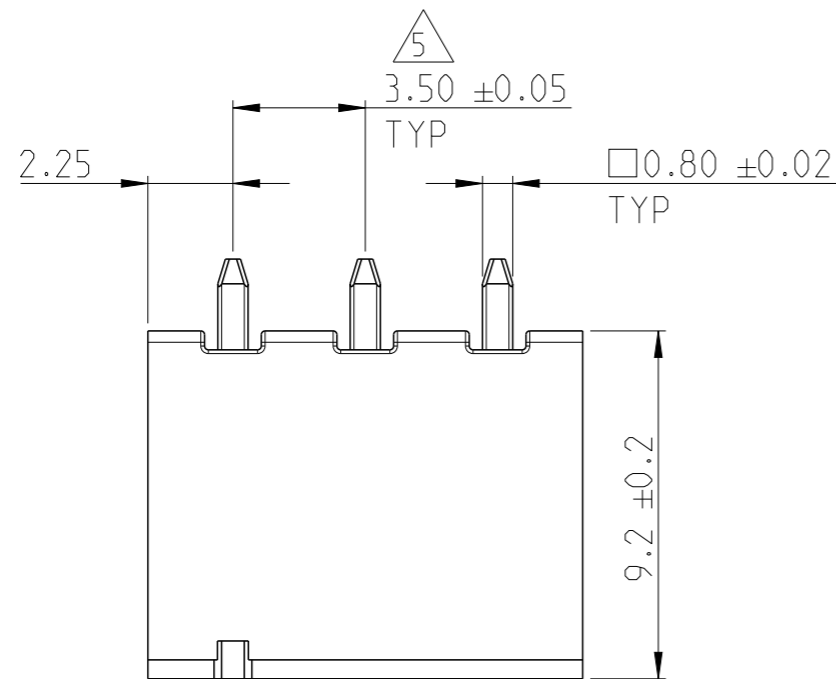


REVISIONS

P	LTR	DESCRIPTION	DATE	DWN	APVD
A		PARTS RLEESED FOR PRODUCTION	10JAN2019	RK	PS

NOTES:

- MATERIAL AND FINISH:
HOUSING : HIGH TEMPERATURE POLYAMIDE, UL94V-0
COLOR BLACK.
TERMINAL : COPPER ALLOY, TIN PLATED.
- MECHANICAL
PLUG MAX. INSERTION FORCE PER POLE : 3.0 N
PLUG MIN. WITHDRAWAL FORCE PER POLE : 1.5 N
MIN. PC BOARD HOLES DIAMETER : 1.3 mm
MAX. PC BOARD THICKNESS : 1.6 mm
- ELECTRICAL
MAX. VOLTAGE : 300 V
MAX CURRENT : 11 A
CONTACT RESISTANCE : <15 m Ohm
INSULATION RESISTANCE : >1000 M Ohm (500V DC)




RECOMMENDED PC BOARD LAYOUT

4. OPERATING TEMPERATURE RANGE : -40°C TO +105°C

5 NOT CUMULATIVE TOLERANCE.

6. PARTS ARE PACKED IN BOX.

88.5	25	2-2342071-5
85.0	24	2-2342071-4
81.5	23	2-2342071-3
78.0	22	2-2342071-2
74.5	21	2-2342071-1
71.0	20	2-2342071-0
67.5	19	1-2342071-9
64.0	18	1-2342071-8
60.5	17	1-2342071-7
57.0	16	1-2342071-6
53.5	15	1-2342071-5
50.0	14	1-2342071-4
46.5	13	1-2342071-3
43.0	12	1-2342071-2
39.5	11	1-2342071-1
36.0	10	1-2342071-0
32.5	9	2342071-9
29.0	8	2342071-8
25.5	7	2342071-7
22.0	6	2342071-6
18.5	5	2342071-5
15.0	4	2342071-4
11.5	3	2342071-3
8.0	2	2342071-2
DIM A	NO. OF POS	PART NUMBER

THIS DRAWING IS A CONTROLLED DOCUMENT.		DWN 14DEC2018 RAGHAVENDRA.K	 TE Connectivity		
DIMENSIONS: mm		CHK 19DEC2018 KARTHIK.JK			
TOLERANCES UNLESS OTHERWISE SPECIFIED:		APVD 19DEC2018 PRASHANTH.S	NAME HEADER STRAIGHT, HIGH TEMPERATURE, 3.5MM PITCH, TAIL LENGTH 1.9mm		
0 PLC ± 1 PLC ±0.3 2 PLC ±0.25 3 PLC ± 4 PLC ± ANGLES ±2°		PRODUCT SPEC	RESTRICTED TO		
MATERIAL SEE NOTES		APPLICATION SPEC	SIZE A3	CAGE CODE 00779	DRAWING NO C-2342071
FINISH SEE NOTES		WEIGHT -	SCALE 5:1 SHEET 1 OF 1 REV A		
CUSTOMER DRAWING					

X-ON Electronics

Largest Supplier of Electrical and Electronic Components

Click to view similar products for [Pluggable Terminal Blocks](#) category:

Click to view products by [TE Connectivity](#) manufacturer:

Other Similar products are found below :

[57.510.0053](#) [MC 1.5/ 6-ST-3.5 GY AU](#) [ET02015000J0G](#) [734-104](#) [734-302](#) [8-141-P](#) [8426620000](#) [860505](#) [860516](#) [860810](#) [GBPACX-12](#)
[93.731.4953.0](#) [PV05-5,08-K](#) [PVP03-3,50](#) [PVP04-3,50](#) [PVS02-5,00](#) [1-1986160-3](#) [1377680000](#) [1531000000](#) [1546228-5](#) [ELFH16150](#)
[ELFP03110](#) [ELFP10210](#) [ELFT06250](#) [ELVP03100](#) [1700101](#) [1700410](#) [1700425](#) [1702246](#) [1705229](#) [1710175](#) [1714537](#) [1717806](#) [1719600](#)
[1728941](#) [1734692](#) [1734795](#) [1736036](#) [1740194](#) [1740628](#) [1740990](#) [1746952](#) [1750207](#) [1752441](#) [1752865](#) [1754115](#) [1754144](#) [1756913](#)
[1760051](#) [1760336](#)