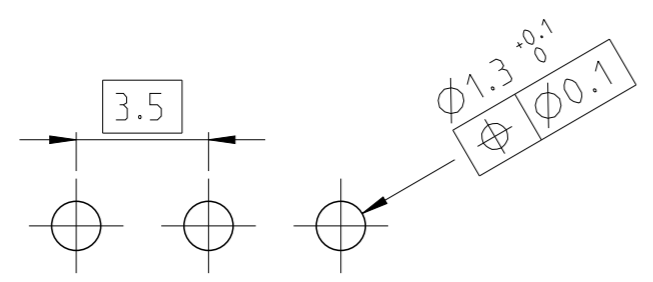
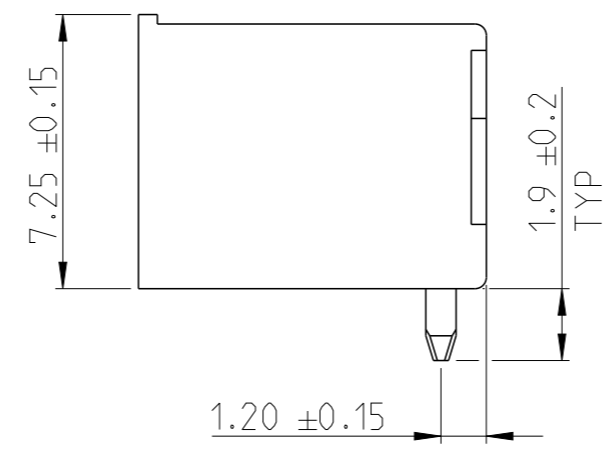
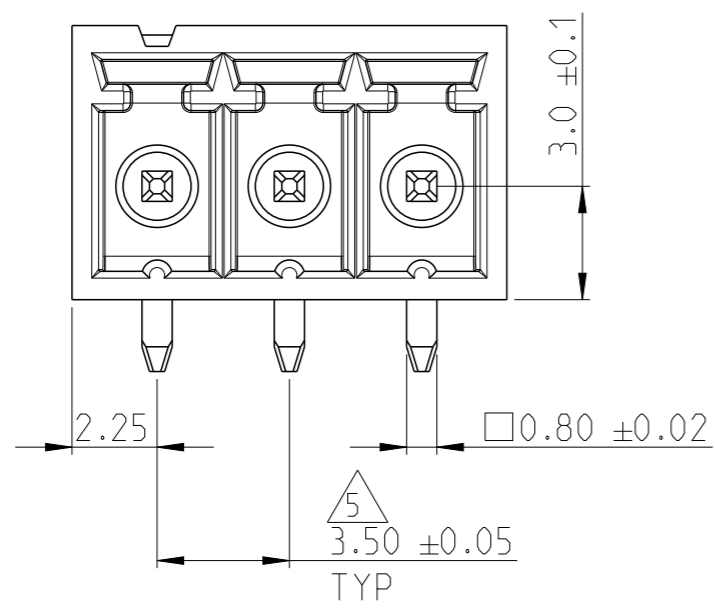
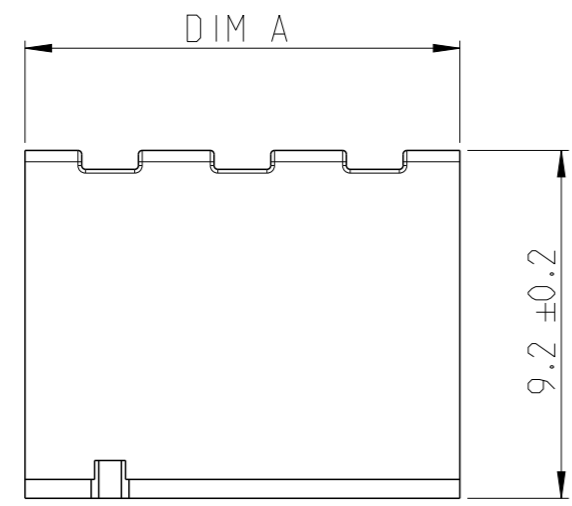
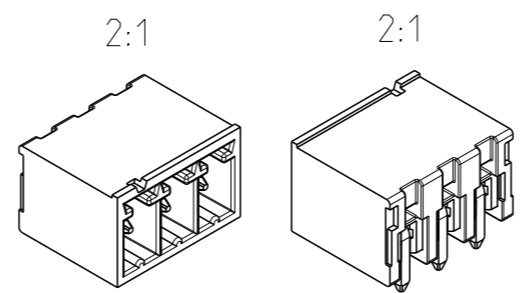


REVISIONS

P	LTR	DESCRIPTION	DATE	DWN	APVD
	A	PARTS RLEEASD FOR PRODUCTION	11JAN2019	RK	PS



RECOMMENDED PC BOARD LAYOUT

- MATERIAL AND FINISH:  
HOUSING : HIGH TEMPERATURE POLYAMIDE, UL94V-0  
COLOR BLACK.  
TERMINAL : COPPER ALLOY, TIN PLATED.
- MECHANICAL  
PLUG MAX. INSERTION FORCE PER POLE : 3.0 N  
PLUG MIN. WITHDRAWAL FORCE PER POLE : 1.5 N  
MIN. PC BOARD HOLES DIAMETER : 1.3 mm  
MAX. PC BOARD THICKNESS : 1.6 mm
- ELECTRICAL  
MAX. VOLTAGE : 300 V  
MAX CURRENT : 11 A  
CONTACT RESISTANCE : <15 m Ohm  
INSULATION RESISTANCE : >1000 M Ohm (500V DC)

4. OPERATING TEMPERATURE RANGE: -40°C TO +105°C

5. NOT CUMULATIVE TOLERANCE.

6. PARTS ARE PACKED IN BOX.

88.5	25	2-2342076-5
85.0	24	2-2342076-4
81.5	23	2-2342076-3
78.0	22	2-2342076-2
74.5	21	2-2342076-1
71.0	20	2-2342076-0
67.5	19	1-2342076-9
64.0	18	1-2342076-8
60.5	17	1-2342076-7
57.0	16	1-2342076-6
53.5	15	1-2342076-5
50.0	14	1-2342076-4
46.5	13	1-2342076-3
43.0	12	1-2342076-2
39.5	11	1-2342076-1
36.0	10	1-2342076-0
32.5	9	2342076-9
29.0	8	2342076-8
25.5	7	2342076-7
22.0	6	2342076-6
18.5	5	2342076-5
15.0	4	2342076-4
11.5	3	2342076-3
8.0	2	2342076-2
DIM A	NO. OF POS	PART NUMBER

THIS DRAWING IS A CONTROLLED DOCUMENT.

DWN	16NOV2018		NAME HEADER 90 DEG, HIGH TEMPERATURE, 3.5MM PITCH, TAIL LENGTH 1.9mm
CHK	20NOV2018		
APVD	20NOV2018		
PRASHANTH.S			
DIMENSIONS:	TOLERANCES UNLESS OTHERWISE SPECIFIED:	PRODUCT SPEC	APPLICATION SPEC
mm		-	-
	0 PLC ±0.3	WEIGHT	RESTRICTED TO
	1 PLC ±0.25	-	-
	2 PLC ±0.25	CUSTOMER DRAWING	SCALE 5:1 SHEET 1 OF 1 REV A
	3 PLC ±0.25		
	4 PLC ±0.25		
	ANGLES ±2°		
MATERIAL	FINISH	SIZE	CAGE CODE
SEE NOTES	SEE NOTES	A3	00779
		DRAWING NO	©=2342076

## X-ON Electronics

Largest Supplier of Electrical and Electronic Components

*Click to view similar products for [Pluggable Terminal Blocks](#) category:*

*Click to view products by [TE Connectivity](#) manufacturer:*

Other Similar products are found below :

[57.510.0053](#) [MC 1.5/ 6-ST-3.5 GY AU](#) [ET02015000J0G](#) [734-104](#) [734-302](#) [8-141-P](#) [8426620000](#) [860505](#) [860516](#) [860810](#) [GBPACX-12](#)  
[93.731.4953.0](#) [PV05-5,08-K](#) [PVP02-5,00](#) [PVP03-3,50](#) [PVP04-3,50](#) [PVS02-5,00](#) [1-1986160-3](#) [1377680000](#) [1531000000](#) [1546228-5](#)  
[ELFH16150](#) [ELFP03110](#) [ELFP10210](#) [ELFT06250](#) [ELVP03100](#) [1700101](#) [1700410](#) [1700425](#) [1702246](#) [1705229](#) [1710175](#) [1714537](#) [1717806](#)  
[1719600](#) [1728941](#) [1734692](#) [1734795](#) [1736036](#) [1740194](#) [1740291](#) [1740628](#) [1740990](#) [1746952](#) [1750207](#) [1752441](#) [1752865](#) [1754115](#)  
[1754144](#) [1756913](#)