

REVISIONS

P	LTR	DESCRIPTION	DATE	DWN	APVD
A		PARTS RLEASD FOR PRODUCTION	10JAN2019	RK	PS

NOTES:

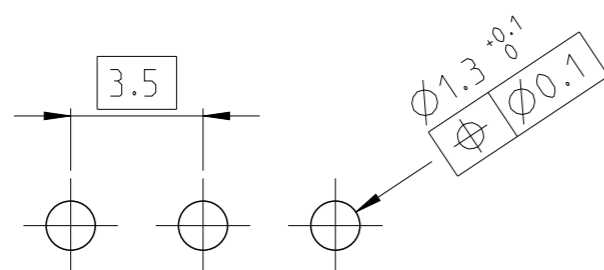
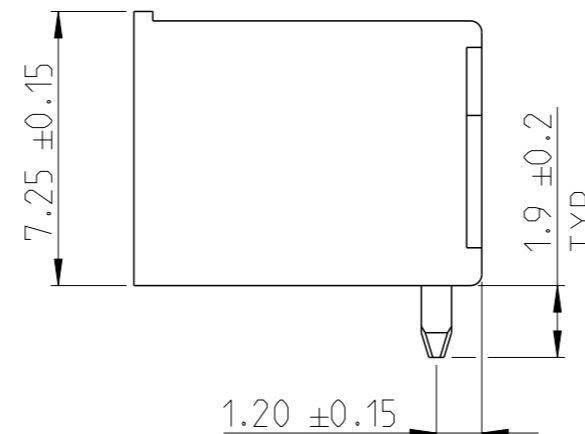
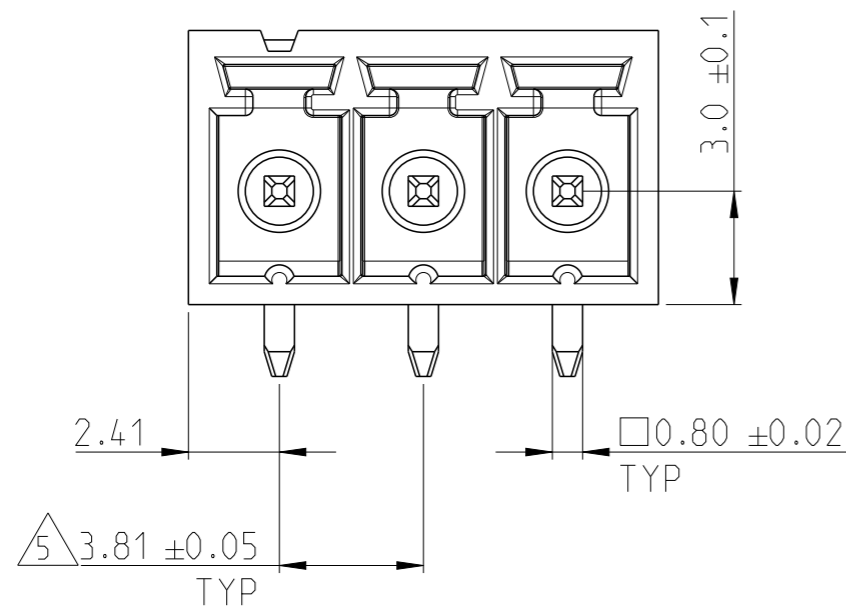
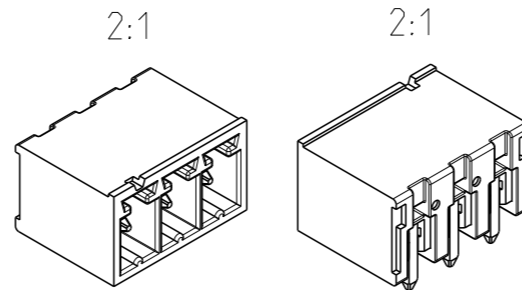
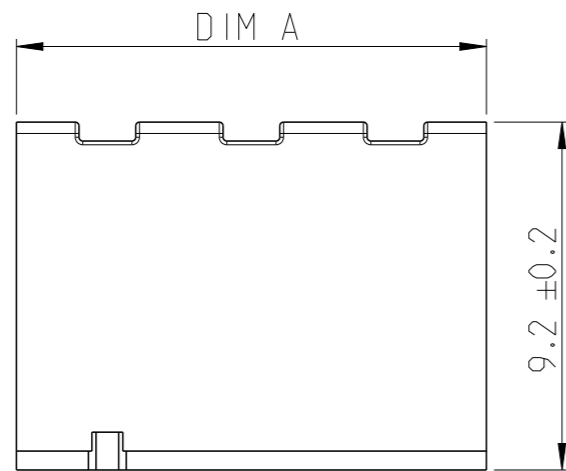
- MATERIAL AND FINISH:  
HOUSING : HIGH TEMPERATURE POLYAMIDE, UL94V-0  
COLOR BLACK.  
TERMINAL : COPPER ALLOY, TIN PLATED.
- MECHANICAL  
PLUG MAX. INSERTION FORCE PER POLE : 3.0 N  
PLUG MIN. WITHDRAWAL FORCE PER POLE : 1.5 N  
MIN. PC BOARD HOLES DIAMETER : 1.3 mm  
MAX. PC BOARD THICKNESS : 1.6 mm
- ELECTRICAL  
MAX. VOLTAGE : 300 V  
MAX CURRENT : 11 A  
CONTACT RESISTANCE : <15 m Ohm  
INSULATION RESISTANCE : >1000 M Ohm (500V DC)

4. OPERATING TEMPERATURE RANGE: -40°C TO +105°C


△ NOT CUMULATIVE TOLERANCE.

6. PARTS ARE PACKED IN BOX.

96.25	25	2-2342077-5
92.44	24	2-2342077-4
88.63	23	2-2342077-3
84.82	22	2-2342077-2
81.01	21	2-2342077-1
77.20	20	2-2342077-0
73.39	19	1-2342077-9
69.58	18	1-2342077-8
65.77	17	1-2342077-7
61.96	16	1-2342077-6
58.15	15	1-2342077-5
54.34	14	1-2342077-4
50.53	13	1-2342077-3
46.72	12	1-2342077-2
42.91	11	1-2342077-1
39.10	10	1-2342077-0
35.29	9	2342077-9
31.48	8	2342077-8
27.67	7	2342077-7
23.86	6	2342077-6
20.05	5	2342077-5
16.24	4	2342077-4
12.43	3	2342077-3
8.62	2	2342077-2
DIM A	NO. OF POS	PART NUMBER



RECOMMENDED PC BOARD LAYOUT

THIS DRAWING IS A CONTROLLED DOCUMENT.		DWN 14DEC2018 RAGHAVENDRA.K	 TE Connectivity	
DIMENSIONS: mm		CHK 19DEC2018 KARTHIK.JK		
TOLERANCES UNLESS OTHERWISE SPECIFIED:		APVD 19DEC2018 PRASHANTH	PRODUCT SPEC	RESTRICTED TO
0 PLC ± 1 PLC ±0.3 2 PLC ±0.25 3 PLC ± 4 PLC ± ANGLES ±2°		APPLICATION SPEC	SIZE A3	CAGE CODE 00779
MATERIAL SEE NOTES	FINISH SEE NOTES	WEIGHT	DRAWING NO C=2342077	SCALE 5:1
CUSTOMER DRAWING			SHEET 1 OF 1	REV A

## X-ON Electronics

Largest Supplier of Electrical and Electronic Components

*Click to view similar products for [Pluggable Terminal Blocks](#) category:*

*Click to view products by [TE Connectivity](#) manufacturer:*

Other Similar products are found below :

[57.510.0053](#) [MC 1.5/ 6-ST-3.5 GY AU](#) [734-104](#) [734-302](#) [8-141-P](#) [8426620000](#) [860505](#) [860516](#) [860810](#) [GBPACX-12](#) [93.731.4953.0](#) [PV05-5,08-K](#) [PVP02-5,00](#) [PVP03-3,50](#) [PVP04-3,50](#) [PVS02-5,00](#) [1-1986160-3](#) [1377680000](#) [1531000000](#) [1546228-5](#) [ELFH16150](#) [ELFP03110](#) [ELFP10210](#) [ELFT06250](#) [ELVP03100](#) [1700101](#) [1700410](#) [1700425](#) [1702246](#) [1705229](#) [1710175](#) [1714537](#) [1717806](#) [1719600](#) [1728941](#) [1734692](#) [1734795](#) [1736036](#) [1740194](#) [1740291](#) [1740628](#) [1740990](#) [1746952](#) [1750207](#) [1752441](#) [1752865](#) [1754115](#) [1754144](#) [1756913](#) [1760051](#)