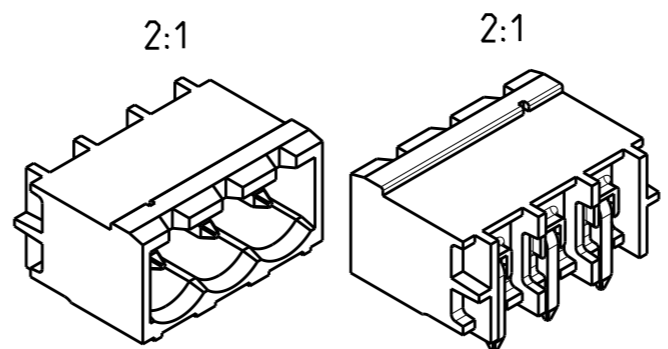
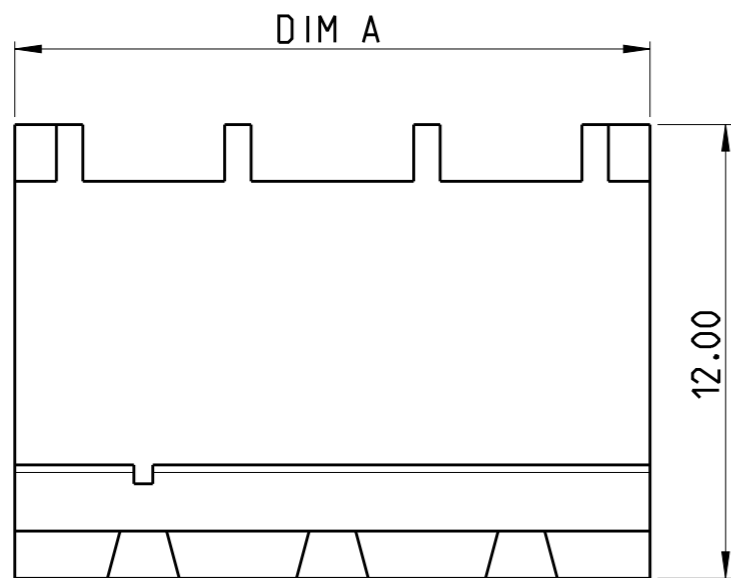


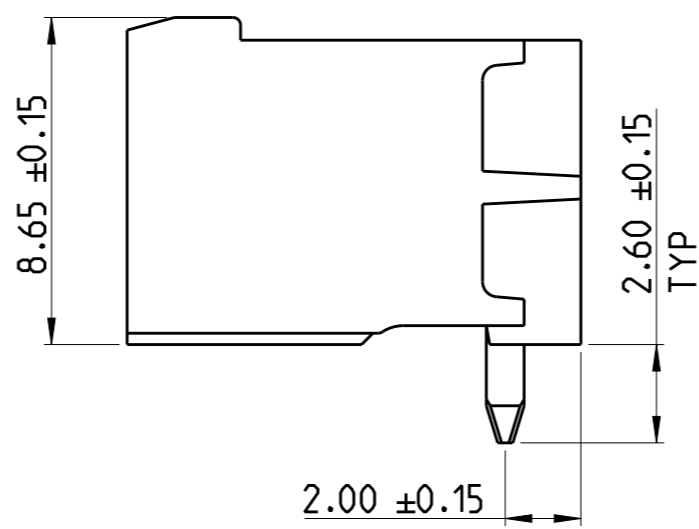
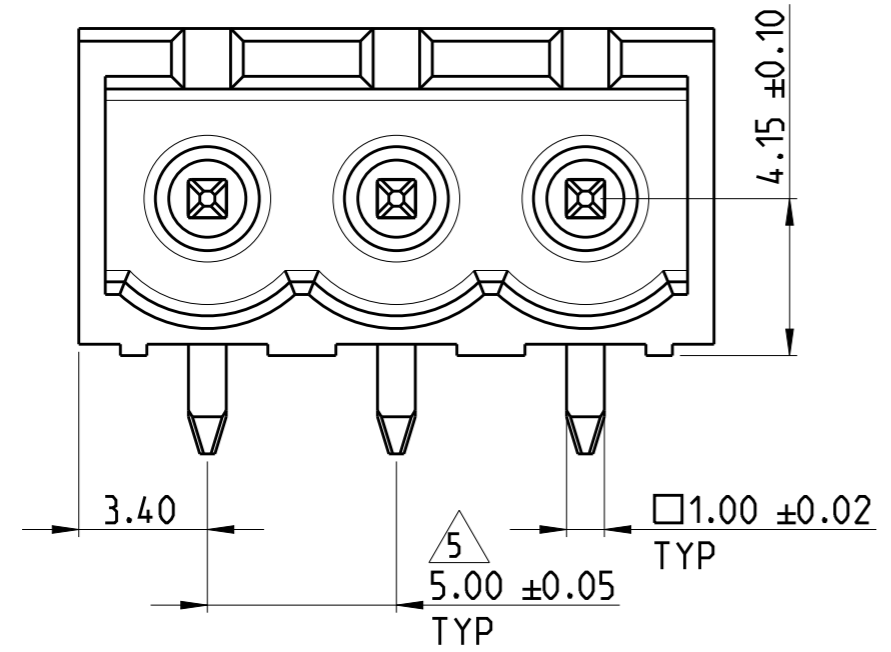
REVISIONS

| P | LTR | DESCRIPTION | DATE | DWN | APVD |
|---|-----|---|-----------|-----|------|
| | A1 | CURRENT RATING CORRECTED FROM 11A TO 15 A | 27JAN2020 | RK | PS |

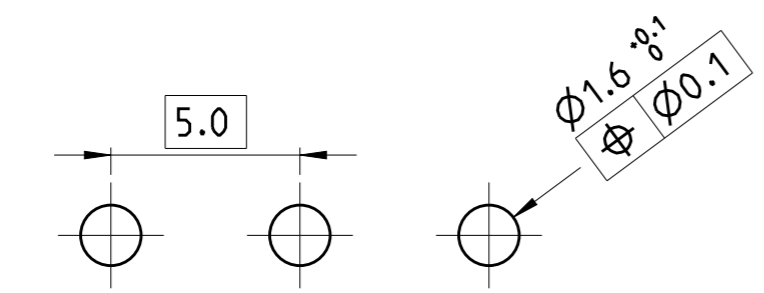


NOTES:

- MATERIAL AND FINISH:
HOUSING : HIGH TEMPERATURE POLYAMIDE, UL94V-0
COLOR BLACK.
TERMINAL : COPPER ALLOY, TIN PLATED.
- MECHANICAL
MIN. PC BOARD HOLES DIAMETER : 1.6 mm
MAX. PC BOARD THICKNESS : 2.4 mm
- ELECTRICAL
MAX. VOLTAGE : 300 V
MAX CURRENT : 15 A
CONTACT RESISTANCE : <15 m Ohm
INSULATION RESISTANCE : >1000 M Ohm (500V DC)
- OPERATING TEMPERATURE RANGE: -40°C TO +105°C
- NOT CUMULATIVE TOLERANCE.
- PARTS ARE PACKED IN BOX.



| | | |
|-------|------------|-------------|
| 96.8 | 19 | 1-2342079-9 |
| 91.8 | 18 | 1-2342079-8 |
| 86.8 | 17 | 1-2342079-7 |
| 81.8 | 16 | 1-2342079-6 |
| 76.8 | 15 | 1-2342079-5 |
| 71.8 | 14 | 1-2342079-4 |
| 66.8 | 13 | 1-2342079-3 |
| 61.8 | 12 | 1-2342079-2 |
| 56.8 | 11 | 1-2342079-1 |
| 51.8 | 10 | 1-2342079-0 |
| 46.8 | 9 | 2342079-9 |
| 41.8 | 8 | 2342079-8 |
| 36.8 | 7 | 2342079-7 |
| 31.8 | 6 | 2342079-6 |
| 26.8 | 5 | 2342079-5 |
| 21.8 | 4 | 2342079-4 |
| 16.8 | 3 | 2342079-3 |
| 11.8 | 2 | 2342079-2 |
| DIM A | NO. OF POS | PART NUMBER |



RECOMMENDED PC BOARD LAYOUT

THIS DRAWING IS A CONTROLLED DOCUMENT.

| | | | | |
|-----------------------|--|--|--|--------------------|
| DIMENSIONS: mm | TOLERANCES UNLESS OTHERWISE SPECIFIED: 0 PLC ±0.3 1 PLC ±0.25 2 PLC ±0.25 3 PLC ±0.25 4 PLC ±0.25 ANGLES ±2° | DWN RAGHAVENDRA.K 17DEC 2018 CHK KARTHIK.JK 19DEC 2018 APVD PRASHANTH.S 19DEC 2018 | | |
| MATERIAL SEE NOTES | FINISH SEE NOTES | PRODUCT SPEC - | NAME HEADER 90 DEG. HIGH TEMPERATURE, 5.0MM PITCH, TAIL LENGTH 2.6mm | |
| | | APPLICATION SPEC - | SIZE A3 | CAGE CODE 00779 |
| | | WEIGHT - | DRAWING NO C-2342079 | RESTRICTED TO - |
| | | CUSTOMER DRAWING | SCALE 5:1 | SHEET 1 OF 1 |
| | | | | REV A1 |

X-ON Electronics

Largest Supplier of Electrical and Electronic Components

Click to view similar products for [Pluggable Terminal Blocks](#) category:

Click to view products by [TE Connectivity](#) manufacturer:

Other Similar products are found below :

[57.510.0053](#) [MC 1.5/ 6-ST-3.5 GY AU](#) [734-104](#) [734-302](#) [8-141-P](#) [8426620000](#) [860505](#) [860516](#) [860810](#) [GBPACX-12](#) [93.731.4953.0](#) [PV05-5,08-K](#) [PVP02-5,00](#) [PVP03-3,50](#) [PVP04-3,50](#) [PVS02-5,00](#) [1-1986160-3](#) [1377680000](#) [1531000000](#) [1546228-5](#) [ELFH16150](#) [ELFP03110](#) [ELFP10210](#) [ELFT06250](#) [ELVP03100](#) [1700101](#) [1700410](#) [1700425](#) [1702246](#) [1705229](#) [1710175](#) [1714537](#) [1717806](#) [1719600](#) [1728941](#) [1734692](#) [1734795](#) [1736036](#) [1740194](#) [1740291](#) [1740628](#) [1740990](#) [1746952](#) [1750207](#) [1752441](#) [1752865](#) [1754115](#) [1754144](#) [1756913](#) [1760051](#)