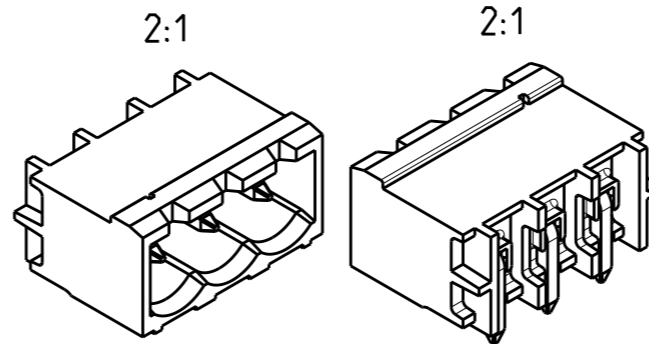
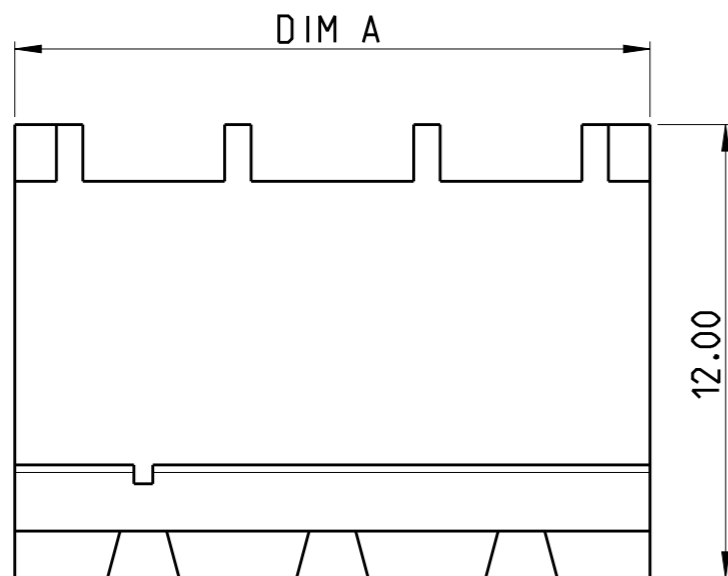


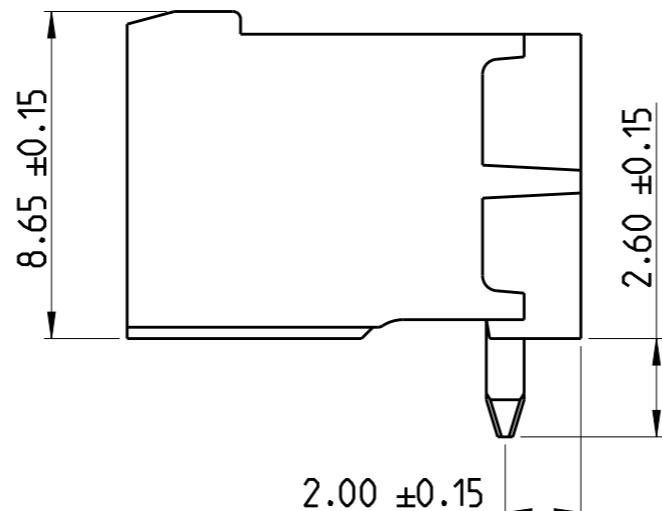
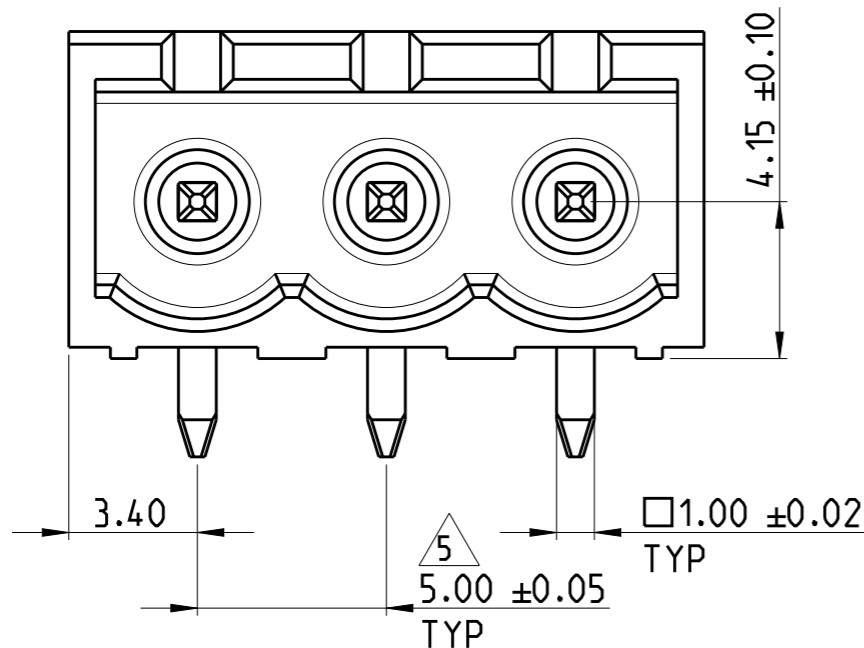
REVISIONS

P	LTR	DESCRIPTION	DATE	DWN	APVD
	A1	CURRENT RATING CORRECTED FROM 11A TO 15 A	27JAN2020	RK	PS

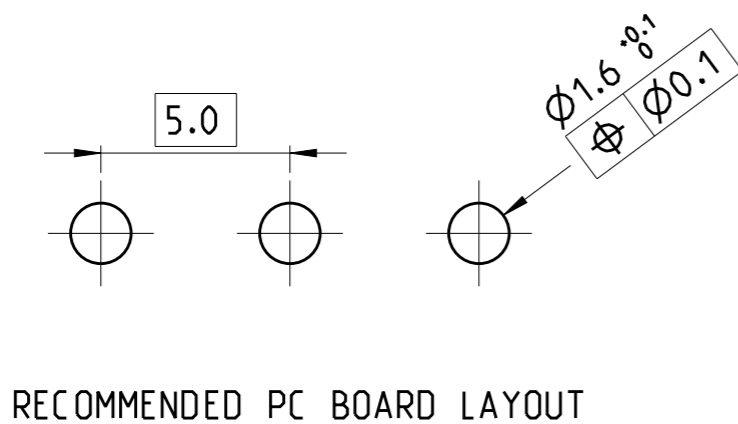


NOTES:

- MATERIAL AND FINISH:
HOUSING : HIGH TEMPERATURE POLYAMIDE, UL94V-0
COLOR BLACK.
TERMINAL : COPPER ALLOY, TIN PLATED.
- MECHANICAL
MIN. PC BOARD HOLES DIAMETER : 1.6 mm
MAX. PC BOARD THICKNESS : 2.4 mm
- ELECTRICAL
MAX. VOLTAGE : 300 V
MAX CURRENT : 15 A
CONTACT RESISTANCE : <15 m Ohm
INSULATION RESISTANCE : >1000 M Ohm (500V DC)
- OPERATING TEMPERATURE RANGE: -40°C TO +105°C
- NOT CUMULATIVE TOLERANCE.
- PARTS ARE PACKED IN BOX.



96.8	19	1-2342079-9
91.8	18	1-2342079-8
86.8	17	1-2342079-7
81.8	16	1-2342079-6
76.8	15	1-2342079-5
71.8	14	1-2342079-4
66.8	13	1-2342079-3
61.8	12	1-2342079-2
56.8	11	1-2342079-1
51.8	10	1-2342079-0
46.8	9	2342079-9
41.8	8	2342079-8
36.8	7	2342079-7
31.8	6	2342079-6
26.8	5	2342079-5
21.8	4	2342079-4
16.8	3	2342079-3
11.8	2	2342079-2
DIM A	NO. OF POS	PART NUMBER



THIS DRAWING IS A CONTROLLED DOCUMENT.

DWN	17DEC 2018	 TE Connectivity	NAME HEADER 90 DEG. HIGH TEMPERATURE, 5.0MM PITCH, TAIL LENGTH 2.6mm	SIZE A3	CAGE CODE 00779	DRAWING NO C-2342079	RESTRICTED TO -
CHK	19DEC 2018						
APVD	19DEC 2018						
PRODUCT SPEC							
DIMENSIONS:		TOLERANCES UNLESS OTHERWISE SPECIFIED:		APPLICATION SPEC			
mm				-			
0 PLC		±0.3		WEIGHT			
1 PLC		±0.25		-			
2 PLC		±0.25		CUSTOMER DRAWING			
3 PLC		±0.25		SCALE 5:1			
4 PLC		±0.25		SHEET 1 OF 1			
ANGLES		±2°		REV A1			
MATERIAL		FINISH					
SEE NOTES		SEE NOTES					

X-ON Electronics

Largest Supplier of Electrical and Electronic Components

Click to view similar products for [Pluggable Terminal Blocks](#) category:

Click to view products by [TE Connectivity](#) manufacturer:

Other Similar products are found below :

[57.510.0053](#) [MC 1.5/ 6-ST-3.5 GY AU](#) [734-104](#) [734-302](#) [8-141-P](#) [8426620000](#) [860505](#) [860516](#) [860810](#) [GBPACX-12](#) [93.731.4953.0](#) [PV05-5,08-K](#) [PVP02-5,00](#) [PVP03-3,50](#) [PVP04-3,50](#) [PVS02-5,00](#) [1-1986160-3](#) [1377680000](#) [1531000000](#) [1546228-5](#) [ELFH16150](#) [ELFP03110](#) [ELFP10210](#) [ELFT06250](#) [ELVP03100](#) [1700101](#) [1700410](#) [1700425](#) [1702246](#) [1705229](#) [1710175](#) [1714537](#) [1717806](#) [1719600](#) [1728941](#) [1734692](#) [1734795](#) [1736036](#) [1740194](#) [1740291](#) [1740628](#) [1740990](#) [1746952](#) [1750207](#) [1752441](#) [1752865](#) [1754115](#) [1754144](#) [1756913](#) [1760051](#)