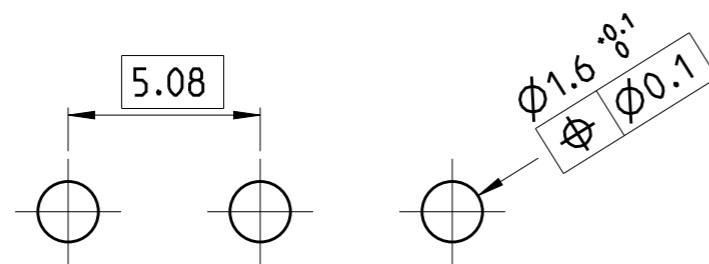
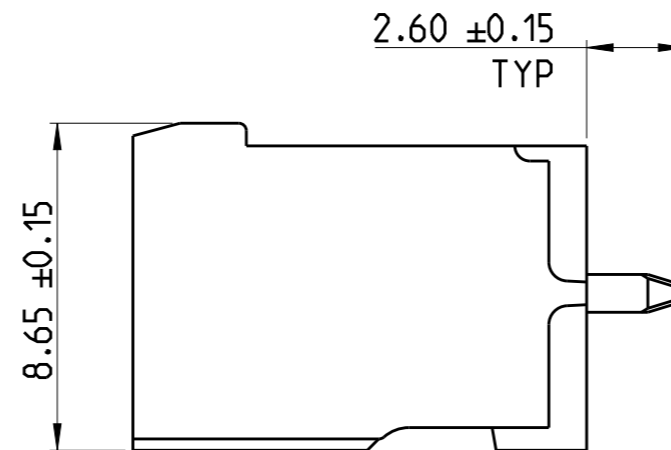
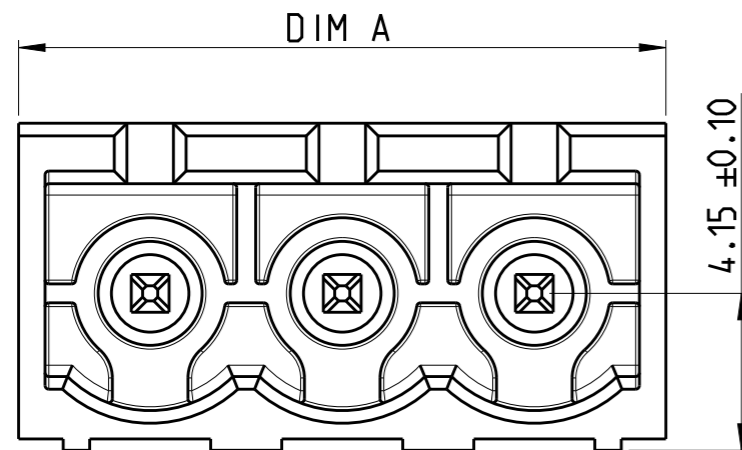
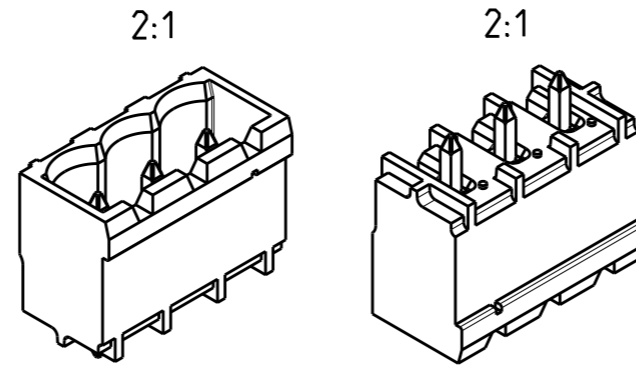
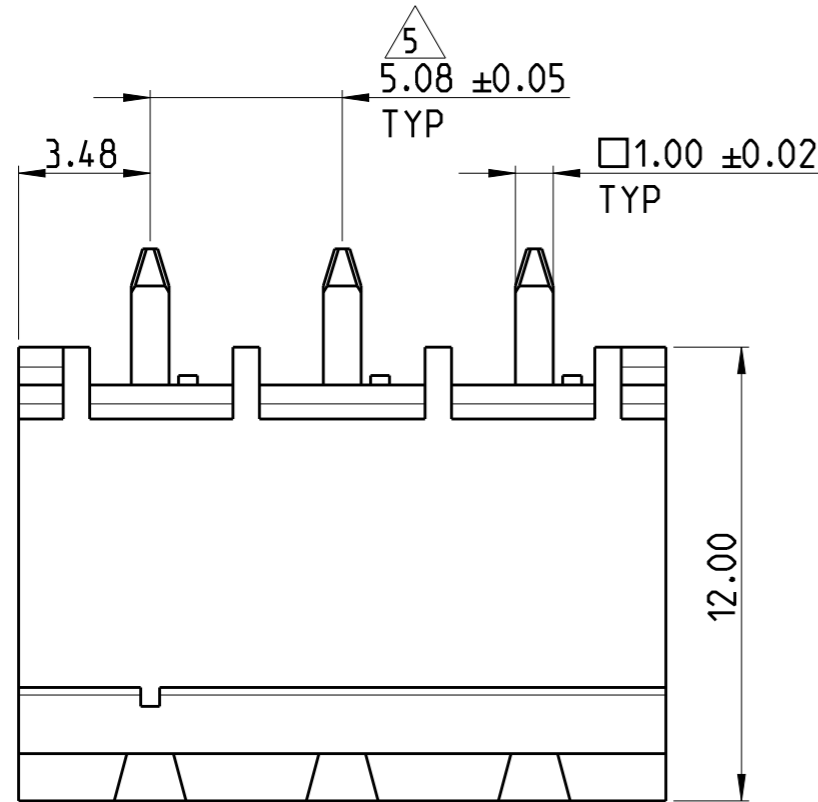


P	LTR	DESCRIPTION	DATE	DWN	APVD
A1		CURRENT RATING CORRECTED FROM 11A TO 15 A	27JAN2020	RK	PS



RECOMMENDED PC BOARD LAYOUT

NOTES:

- MATERIAL AND FINISH:  
HOUSING : HIGH TEMPERATURE POLYAMIDE, UL94V-0  
COLOR BLACK.  
TERMINAL : COPPER ALLOY, TIN PLATED.
- MECHANICAL  
MIN. PC BOARD HOLES DIAMETER : 1.6 mm  
MAX. PC BOARD THICKNESS : 2.4 mm
- ELECTRICAL  
MAX. VOLTAGE : 300 V  
MAX CURRENT : 15 A  
CONTACT RESISTANCE : <15 m Ohm  
INSULATION RESISTANCE : >1000 M Ohm (500V DC)
- OPERATING TEMPERATURE RANGE: -40°C TO +105°C
- NOT CUMULATIVE TOLERANCE.
- PARTS ARE PACKED IN BOX.

128.88	25	2-2342084-5
123.80	24	2-2342084-4
118.72	23	2-2342084-3
113.64	22	2-2342084-2
108.56	21	2-2342084-1
103.48	20	2-2342084-0
98.40	19	1-2342084-9
93.32	18	1-2342084-8
88.24	17	1-2342084-7
83.16	16	1-2342084-6
78.08	15	1-2342084-5
73.00	14	1-2342084-4
67.92	13	1-2342084-3
62.84	12	1-2342084-2
57.76	11	1-2342084-1
52.68	10	1-2342084-0
47.60	9	2342084-9
42.52	8	2342084-8
37.44	7	2342084-7
32.36	6	2342084-6
27.28	5	2342084-5
22.20	4	2342084-4
17.12	3	2342084-3
12.04	2	2342084-2
DIM A	NO. OF POS	PART NUMBER

THIS DRAWING IS A CONTROLLED DOCUMENT.		DWN 17DEC 2018 RAGHAVENDRA.K		
DIMENSIONS: mm		CHK 19DEC 2018 KARTHIK.JK		
TOLERANCES UNLESS OTHERWISE SPECIFIED:		APVD 19DEC 2018 PRASHANTH.S	NAME HEADER STRAIGHT, HIGH TEMPERATURE, 5.08MM PITCH, TAIL LENGTH 2.6mm	
0 PLC ±0.3		PRODUCT SPEC	-	
1 PLC ±0.25		APPLICATION SPEC	-	
2 PLC ±0.25		WEIGHT	-	
3 PLC ±0.25		CUSTOMER DRAWING	SIZE A3	CAGE CODE 00779
4 PLC ±0.25		FINISH	DRAWING NO C-2342084	RESTRICTED TO -
ANGLES ±2°		MATERIAL SEE NOTES	SCALE 5:1	SHEET 1 OF 1
-		SEE NOTES	REV A1	

## X-ON Electronics

Largest Supplier of Electrical and Electronic Components

*Click to view similar products for [Pluggable Terminal Blocks](#) category:*

*Click to view products by [TE Connectivity](#) manufacturer:*

Other Similar products are found below :

[57.510.0053](#) [MC 1.5/ 6-ST-3.5 GY AU](#) [ET02015000J0G](#) [734-104](#) [734-302](#) [8-141-P](#) [8426620000](#) [860505](#) [860516](#) [860810](#) [GBPACX-12](#)  
[93.731.4953.0](#) [PV05-5,08-K](#) [PVP03-3,50](#) [PVP04-3,50](#) [PVS02-5,00](#) [1-1986160-3](#) [1377680000](#) [1531000000](#) [1546228-5](#) [ELFH16150](#)  
[ELFP03110](#) [ELFP10210](#) [ELFT06250](#) [ELVP03100](#) [1700101](#) [1700410](#) [1700425](#) [1702246](#) [1705229](#) [1710175](#) [1714537](#) [1717806](#) [1719600](#)  
[1728941](#) [1734692](#) [1734795](#) [1736036](#) [1740194](#) [1740628](#) [1740990](#) [1746952](#) [1750207](#) [1752441](#) [1752865](#) [1754115](#) [1754144](#) [1756913](#)  
[1760051](#) [1760336](#)