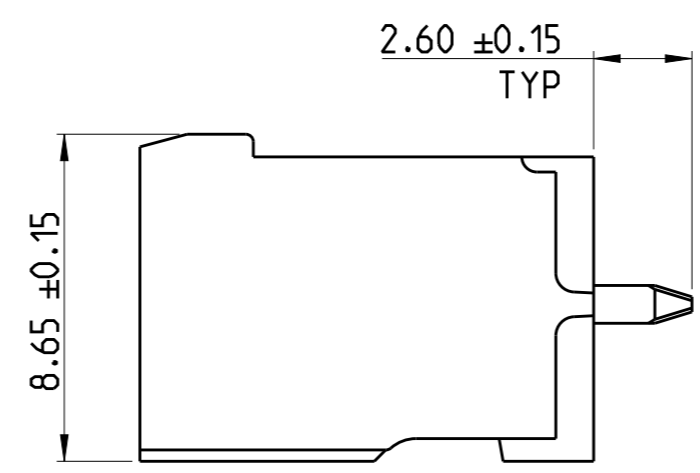
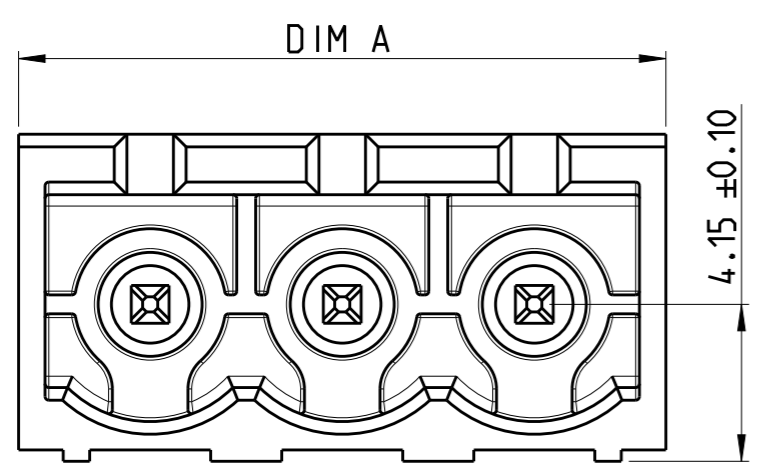
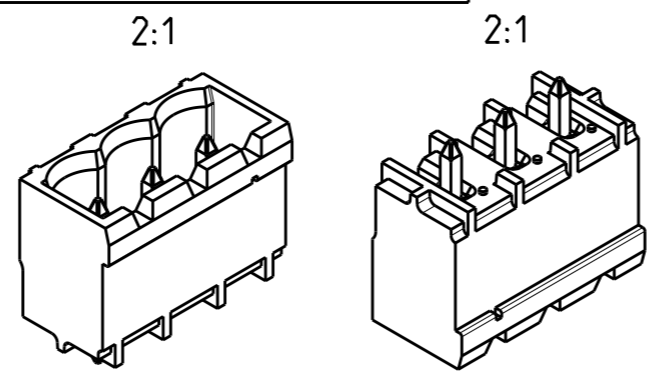
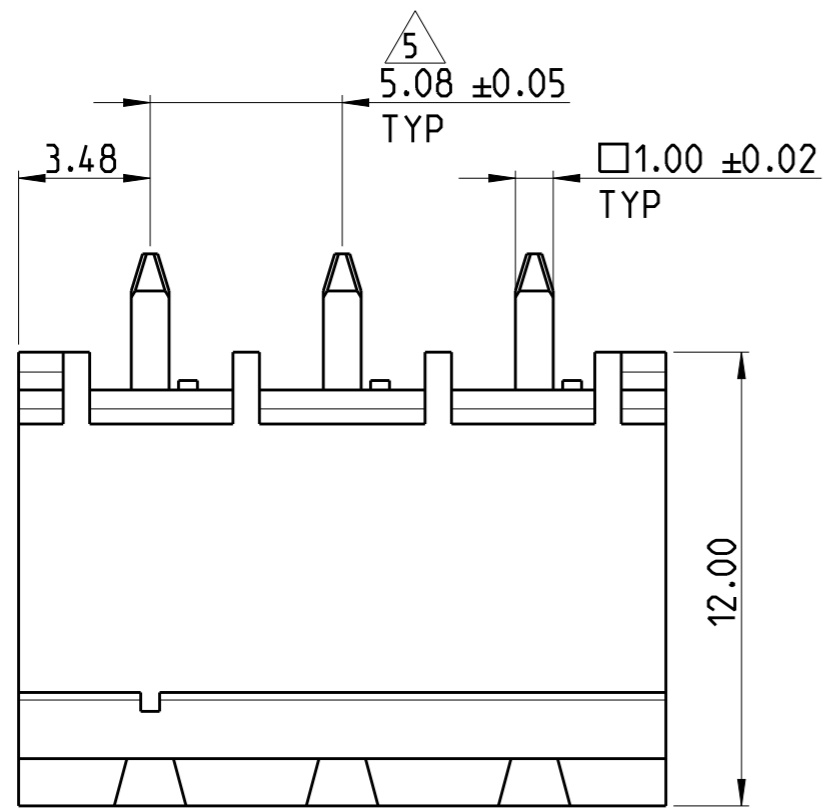


REVISIONS

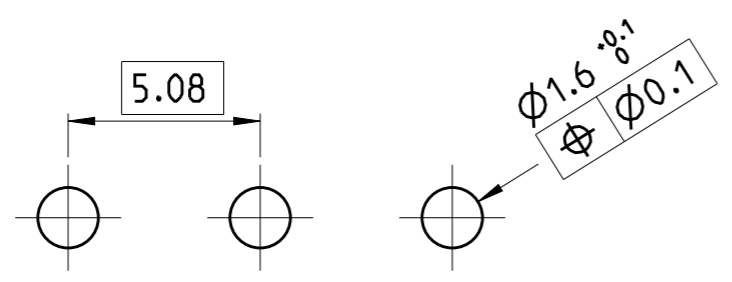
P	LTR	DESCRIPTION	DATE	DWN	APVD
A1		CURRENT RATING CORRECTED FROM 11A TO 15 A	27JAN2020	RK	PS



NOTES:

- MATERIAL AND FINISH:
HOUSING : HIGH TEMPERATURE POLYAMIDE, UL94V-0
COLOR BLACK.
TERMINAL : COPPER ALLOY, TIN PLATED.
- MECHANICAL
MIN. PC BOARD HOLES DIAMETER : 1.6 mm
MAX. PC BOARD THICKNESS : 2.4 mm
- ELECTRICAL
MAX. VOLTAGE : 300 V
MAX CURRENT : 15 A
CONTACT RESISTANCE : <15 m Ohm
INSULATION RESISTANCE : >1000 M Ohm (500V DC)
- OPERATING TEMPERATURE RANGE: -40°C TO +105°C
- NOT CUMULATIVE TOLERANCE.
- PARTS ARE PACKED IN BOX.

128.88	25	2-2342084-5
123.80	24	2-2342084-4
118.72	23	2-2342084-3
113.64	22	2-2342084-2
108.56	21	2-2342084-1
103.48	20	2-2342084-0
98.40	19	1-2342084-9
93.32	18	1-2342084-8
88.24	17	1-2342084-7
83.16	16	1-2342084-6
78.08	15	1-2342084-5
73.00	14	1-2342084-4
67.92	13	1-2342084-3
62.84	12	1-2342084-2
57.76	11	1-2342084-1
52.68	10	1-2342084-0
47.60	9	2342084-9
42.52	8	2342084-8
37.44	7	2342084-7
32.36	6	2342084-6
27.28	5	2342084-5
22.20	4	2342084-4
17.12	3	2342084-3
12.04	2	2342084-2
DIM A	NO. OF POS	PART NUMBER



RECOMMENDED PC BOARD LAYOUT

THIS DRAWING IS A CONTROLLED DOCUMENT.

DIMENSIONS:	TOLERANCES UNLESS OTHERWISE SPECIFIED:
mm	
	0 PLC ±0.3
	1 PLC ±0.25
	2 PLC ±0.25
	3 PLC ±0.25
	4 PLC ±0.25
	ANGLES ±2°
MATERIAL	FINISH
SEE NOTES	SEE NOTES

DWN	17DEC 2018
RAGHAVENDRA.K	
CHK	19DEC 2018
KARTHIK.JK	
APVD	19DEC 2018
PRASHANTH.S	
PRODUCT SPEC	
APPLICATION SPEC	
WEIGHT	-
CUSTOMER DRAWING	

TE TE Connectivity

NAME: HEADER STRAIGHT, HIGH TEMPERATURE, 5.08MM PITCH, TAIL LENGTH 2.6mm

SIZE	CAGE CODE	DRAWING NO	RESTRICTED TO
A3	00779	C-2342084	-

SCALE 5:1 SHEET 1 OF 1 REV A1

X-ON Electronics

Largest Supplier of Electrical and Electronic Components

Click to view similar products for [Pluggable Terminal Blocks](#) category:

Click to view products by [TE Connectivity](#) manufacturer:

Other Similar products are found below :

[57.510.0053](#) [MC 1.5/ 6-ST-3.5 GY AU](#) [ET02015000J0G](#) [734-104](#) [734-302](#) [8-141-P](#) [8426620000](#) [860505](#) [860516](#) [860810](#) [GBPACX-12](#)
[93.731.4953.0](#) [PV05-5,08-K](#) [PVP03-3,50](#) [PVP04-3,50](#) [PVS02-5,00](#) [1-1986160-3](#) [1377680000](#) [1531000000](#) [1546228-5](#) [ELFH16150](#)
[ELFP03110](#) [ELFP10210](#) [ELFT06250](#) [ELVP03100](#) [1700101](#) [1700410](#) [1700425](#) [1702246](#) [1705229](#) [1710175](#) [1714537](#) [1717806](#) [1719600](#)
[1728941](#) [1734692](#) [1734795](#) [1736036](#) [1740194](#) [1740628](#) [1740990](#) [1746952](#) [1750207](#) [1752441](#) [1752865](#) [1754115](#) [1754144](#) [1756913](#)
[1760051](#) [1760336](#)