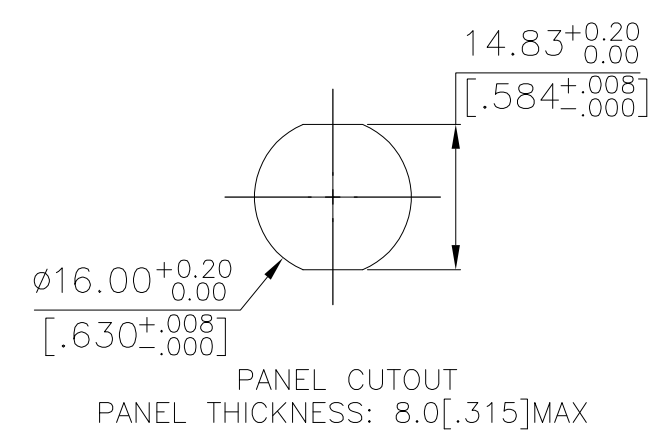
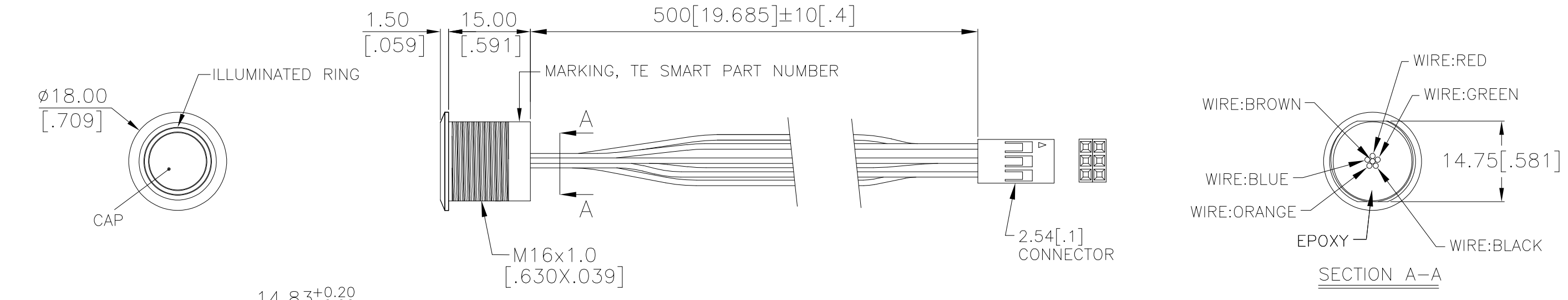
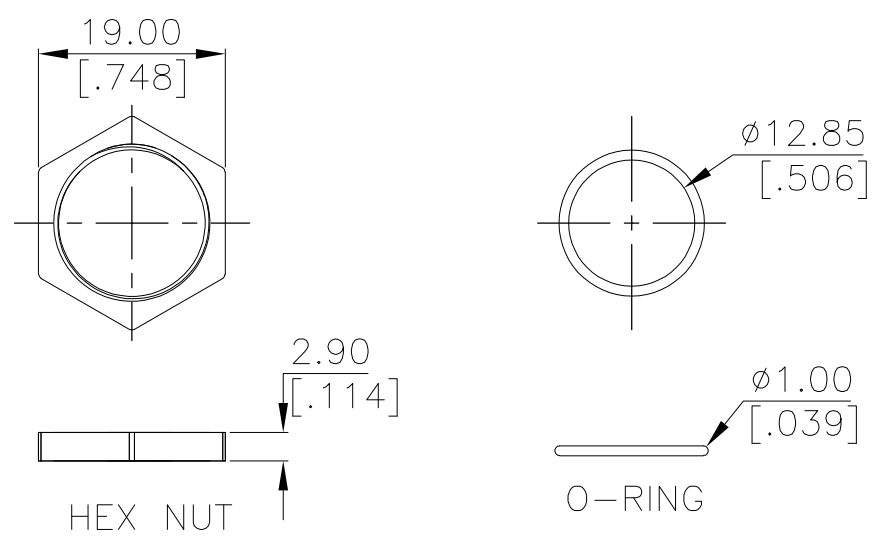
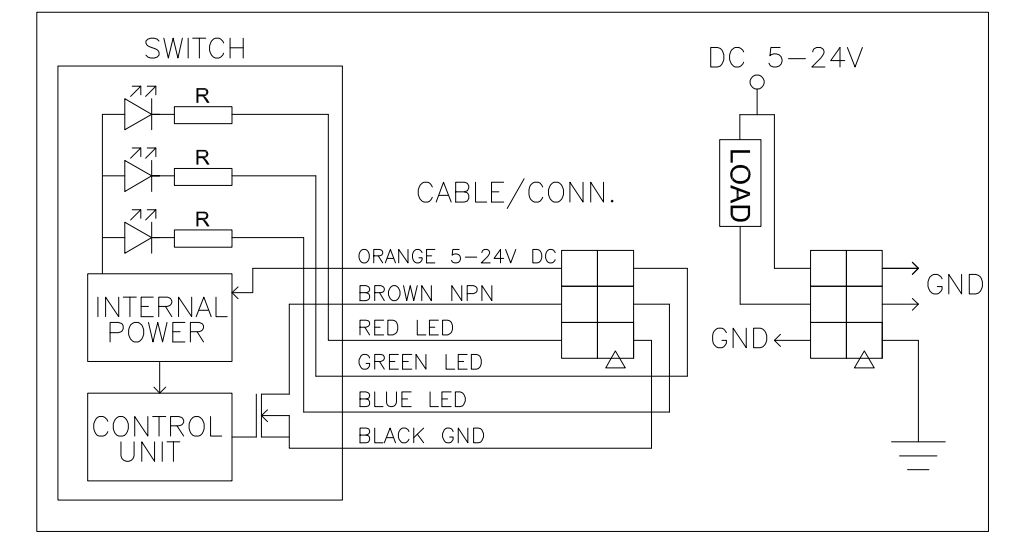


THIS DRAWING IS UNPUBLISHED. RELEASED FOR PUBLICATION
 © COPYRIGHT - TE Connectivity Ltd. ALL RIGHTS RESERVED.

P	LTR	DESCRIPTION	DATE	DWN	APVD
	3	DRAWING UPDATES	19DEC2018	RSM	AS



INDICATOR			
SWITCH	LED		
	RED	GREEN	BLUE
OFF	CUSTOMER DEFINED		
ON	CUSTOMER DEFINED		



APPLICABLE FOR TE P/N:
2342832-1
2342832-3
2342832-5
2342832-7
2342832-8
2342832-9

PRELIMINARY

THIS DRAWING IS A CONTROLLED DOCUMENT.		DWN GANESH C M 29SEP2018		TE Connectivity Ltd.	
DIMENSIONS: mm [INCHES]		CHK ALEXANDER SHARPE 29SEP2018			
TOLERANCES UNLESS OTHERWISE SPECIFIED:		APVD ALEXANDER SHARPE 29SEP2018		NAME	
0 PLC ± - 1 PLC ± 0.4 [.016] 2 PLC ± 0.25 [.010] 3 PLC ± - 4 PLC ± - ANGLES ± -		PRODUCT SPEC		SWITCH,AV,CAPACITIVE,16mm,FL BTN, ILLUM RING,LED,LEADED W/ 2x3 REC	
MATERIAL		FINISH		SIZE	
-		-		A3	
CUSTOMER DRAWING				CAGE CODE 00779	
SCALE NTS				DRAWING NO C=2342832	
SHEET 1 OF 3				RESTRICTED TO -	
REV 3					

THIS DRAWING IS UNPUBLISHED.

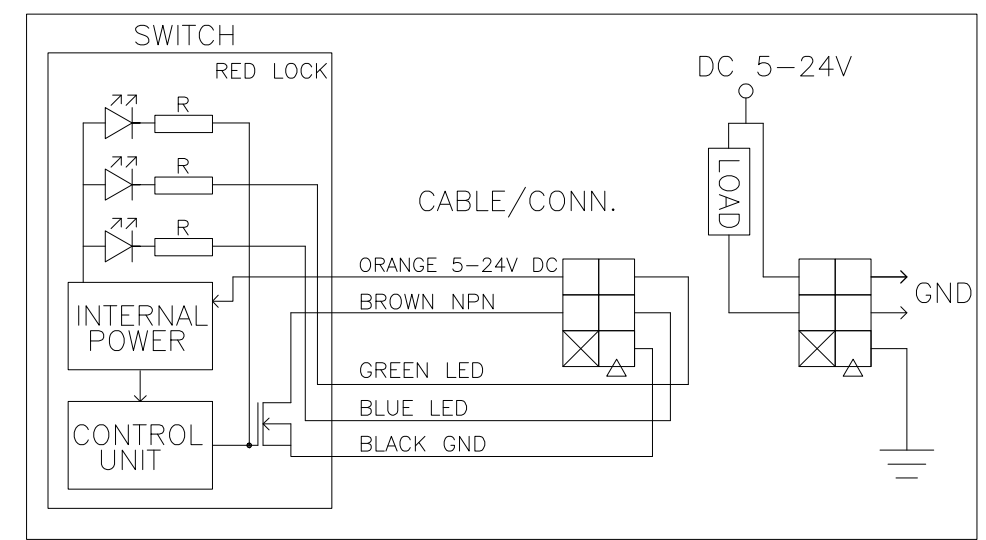
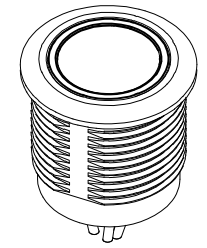
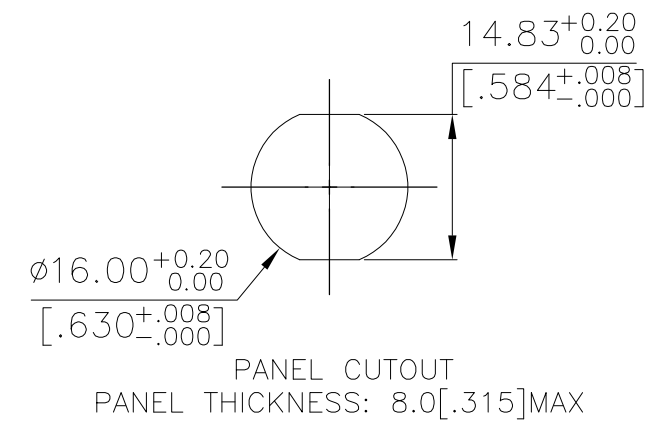
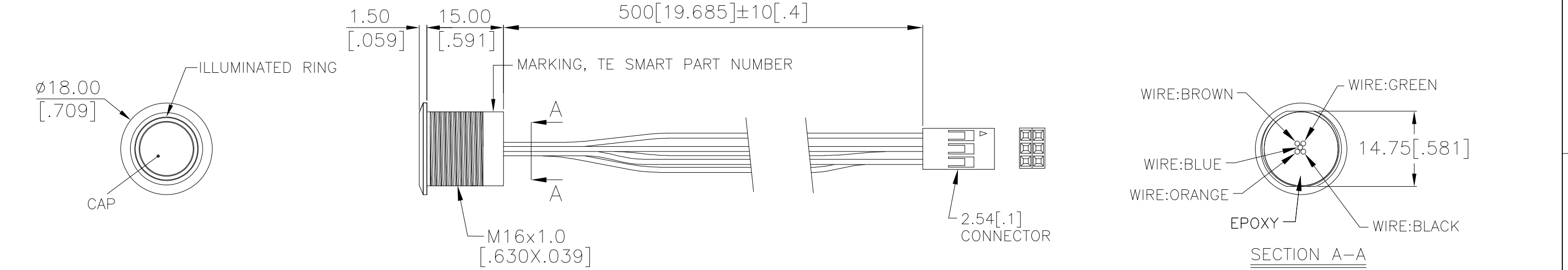
RELEASED FOR PUBLICATION

REVISIONS

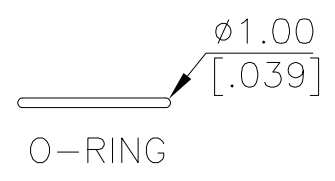
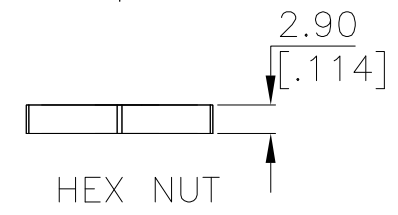
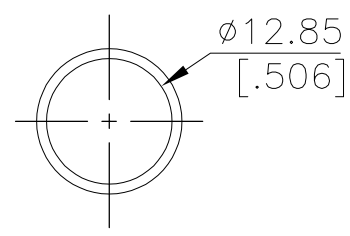
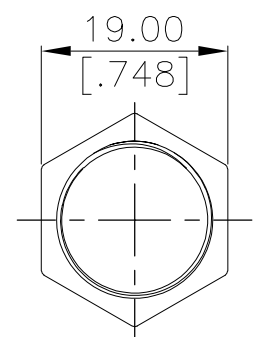
© COPYRIGHT - TE Connectivity Ltd.

ALL RIGHTS RESERVED.

P	LTR	DESCRIPTION	DATE	DWN	APVD
-	-	SEE SHEET 1	-	-	-



INDICATOR			
SWITCH	LED		
	RED	GREEN	BLUE
OFF	ON	CUSTOMER DEFINED	
ON	OFF		



APPLICABLE FOR TE P/N:
2342832-2
2342832-4
2342832-6

PRELIMINARY

THIS DRAWING IS A CONTROLLED DOCUMENT.		DWN 29SEP2018 GANESH C M	TE Connectivity Ltd.															
DIMENSIONS: mm [INCHES]		CHK 29SEP2018 ALEXANDER SHARPE																
TOLERANCES UNLESS OTHERWISE SPECIFIED:		APVD 29SEP2018 ALEXANDER SHARPE	NAME SWITCH,AV,CAPACITIVE,16mm,FL BTN, ILLUM RING,LED,LEADED W/ 2x3 REC															
<table border="1"> <tr><td>0 PLC</td><td>± -</td></tr> <tr><td>1 PLC</td><td>± 0.4 [.016]</td></tr> <tr><td>2 PLC</td><td>± 0.25 [.010]</td></tr> <tr><td>3 PLC</td><td>± -</td></tr> <tr><td>4 PLC</td><td>± -</td></tr> <tr><td>ANGLES</td><td>± -</td></tr> </table>		0 PLC	± -	1 PLC	± 0.4 [.016]	2 PLC	± 0.25 [.010]	3 PLC	± -	4 PLC	± -	ANGLES	± -	PRODUCT SPEC -	SIZE A3	CAGE CODE 00779	DRAWING NO C-2342832	RESTRICTED TO -
0 PLC	± -																	
1 PLC	± 0.4 [.016]																	
2 PLC	± 0.25 [.010]																	
3 PLC	± -																	
4 PLC	± -																	
ANGLES	± -																	
MATERIAL -		FINISH -	WEIGHT -		SCALE NTS	SHEET 2 OF 3	REV 3											
CUSTOMER DRAWING																		

THIS DRAWING IS UNPUBLISHED. RELEASED FOR PUBLICATION
 © COPYRIGHT - TE Connectivity Ltd. ALL RIGHTS RESERVED.

REVISIONS					
P	LTR	DESCRIPTION	DATE	DWN	APVD
-	-	SEE SHEET 1	-	-	-

NOTES:

1. SPECIFICATIONS:

1. OPERATING LIFE: 50 MILLION CYCLES MIN.
2. ACTUATION FORCE: TOUCH, ZERO FORCE
3. RATING: 5-24 VDC@1A MAX.
4. CONTACT RESISTANCE: 1Ω MAX.
5. CURRENT DRAW WITHOUT ILLUMINATION: 2mA MAXIMUM
6. CURRENT DRAW WITH ILLUMINATION: 10mA MAXIMUM
7. OUTPUT MODE: NPN TRANSISTOR
8. OPERATING TEMPERATURE: -20° TO 65°C [-4° TO 149°F]
9. STORAGE TEMPERATURE: -40° TO 85°C [-40° TO 185°F]
10. INGRESS PROTECTION: IP68, PANEL SIDE
11. MOUNTING TORQUE: 2.5Nm MAXIMUM

2. MATERIAL:

1. SEALING: SILICONE, EPOXY
2. O-RING: SILICONE
3. HEX NUT: NICKEL PLATED BRASS
4. WIRE: UL3385, UL10368 OR EQUIVALENT
5. BUSHING: SEE TABLE
6. CAP: SEE TABLE

3. PACKAGING:


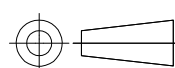
SWITCH ASSEMBLIES ARE INDIVIDUALLY BUNDLED WITH ESD PROTECTION.
 HARDWARE IS NOT ASSEMBLED TO THE SWITCH.

4. COMPLIANCE:

THE CURRENT STATEMENT OF COMPLIANCE IS AVAILABLE AT TE.COM.

5. HARDWARE IS SHIPPED UNASSEMBLED.

PC; STAINLESS STEEL	STAINLESS STEEL 316	RGB	MOMENTARY	AVC16MS16FE0DT5B04	2342832-9
PC; STAINLESS STEEL	STAINLESS STEEL 304	RGB	MOMENTARY	AVC16MS04FE0DT5B04	2342832-8
PC; ALUMINUM	ALUMINUM	RGB	MOMENTARY	AVC16MAIOFE0DT5B04	2342832-7
PC; STAINLESS STEEL	STAINLESS STEEL 316	RED LOCK	LOCKING	AVC16LS16FE03T5B04	2342832-6
PC; STAINLESS STEEL	STAINLESS STEEL 316	RGB	LOCKING	AVC16LS16FE0DT5B04	2342832-5
PC; STAINLESS STEEL	STAINLESS STEEL 304	RED LOCK	LOCKING	AVC16LS04FE03T5B04	2342832-4
PC; STAINLESS STEEL	STAINLESS STEEL 304	RGB	LOCKING	AVC16LS04FE0DT5B04	2342832-3
PC; ALUMINUM	ALUMINUM	RED LOCK	LOCKING	AVC16LAIOFE03T5B04	2342832-2
PC; ALUMINUM	ALUMINUM	RGB	LOCKING	AVC16LAIOFE0DT5B04	2342832-1
CAP MATERIAL	BUSHING MATERIAL	LED COLOR	CONTACT CONFIGURATION	TE SMART PART NUMBER	PART NUMBER

THIS DRAWING IS A CONTROLLED DOCUMENT.		DWN GANESH C M 29SEP2018	 TE Connectivity Ltd.		
DIMENSIONS: mm [INCHES]		CHK ALEXANDER SHARPE 29SEP2018			
		APVD ALEXANDER SHARPE 29SEP2018	NAME SWITCH,AV,CAPACITIVE,16mm,FL BTN, ILLUM RING,LED,LEADED W/ 2x3 REC		
TOLERANCES UNLESS OTHERWISE SPECIFIED:		PRODUCT SPEC	SIZE		
0 PLC ± -		APPLICATION SPEC	CAGE CODE		
1 PLC ± 0.4[.016]		WEIGHT	DRAWING NO		
2 PLC ± 0.25[.010]		MATERIAL	RESTRICTED TO		
3 PLC ± -			A3 00779 C-2342832		
4 PLC ± -		CUSTOMER DRAWING		SCALE	SHEET
ANGLES ± -		SCALE NTS		SHEET 3 OF 3	REV 3
FINISH					

PRELIMINARY

X-ON Electronics

Largest Supplier of Electrical and Electronic Components

Click to view similar products for [Pushbutton Switches](#) category:

Click to view products by [TE Connectivity](#) manufacturer:

Other Similar products are found below :

[8940K2012](#) [LW1L-M1C10V-A](#) [LW1L-M1C70-A](#) [LW2L-A1C20M-GD](#) [LW2L-M1C20M-A](#) [60324L](#) [M22-D-R-GB0/K11](#) [M7E-HRN2](#)
[67021K512](#) [67081K512X](#) [701PB580](#) [7199K101](#) [810K12910](#) [810KSV30B](#) [MML21EA2ADK](#) [MML21KA3ABK](#) [MML23KA3AC05K-001](#)
[MML23KW3AA01W](#) [8418K2](#) [8442K3](#) [8450K1](#) [860K11911T01A](#) [861901](#) [861K11911T01A07](#) [861K13810T00A14](#) [861K13911](#)
[8646AB6X718UL](#) [8646ABUL](#) [9001KXRK](#) [907AYY100](#) [PMHD155A1](#) [9533CD4+U574+U4922](#) [95-414.000](#) [99-450.837](#) [99-453.837](#)
[PV3H2B0NN-341](#) [1203MRA](#) [A22NZBGANGA](#) [A22NZBNANGA](#) [A22NZMPATRA](#) [A2PMA1X03EC56](#) [A3A-5123-02](#) [A3A-7140](#) [A3A-7310](#) [A3A-7340](#) [A3U-TMW-A2C-5M](#) [A595](#) [12037A2ULCSA](#) [ABD122N-B](#) [1211390004](#)