

THIS DRAWING IS UNPUBLISHED.

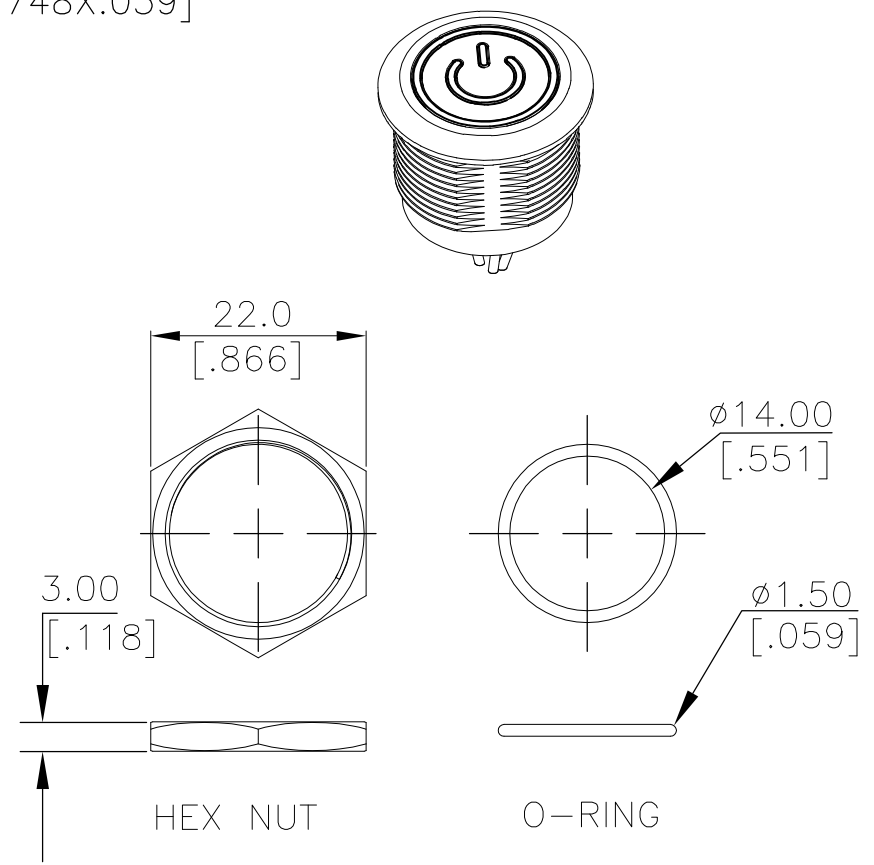
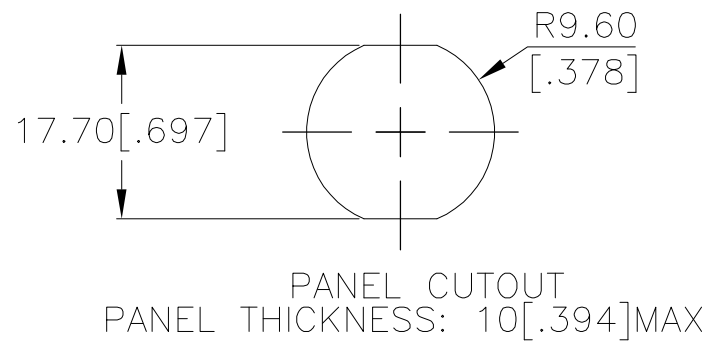
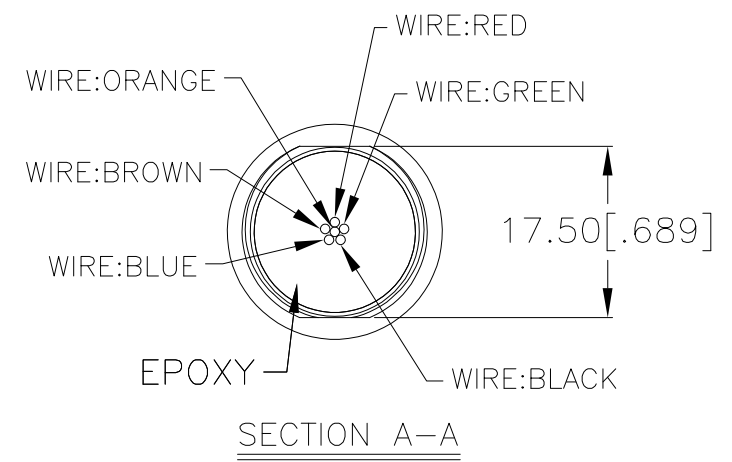
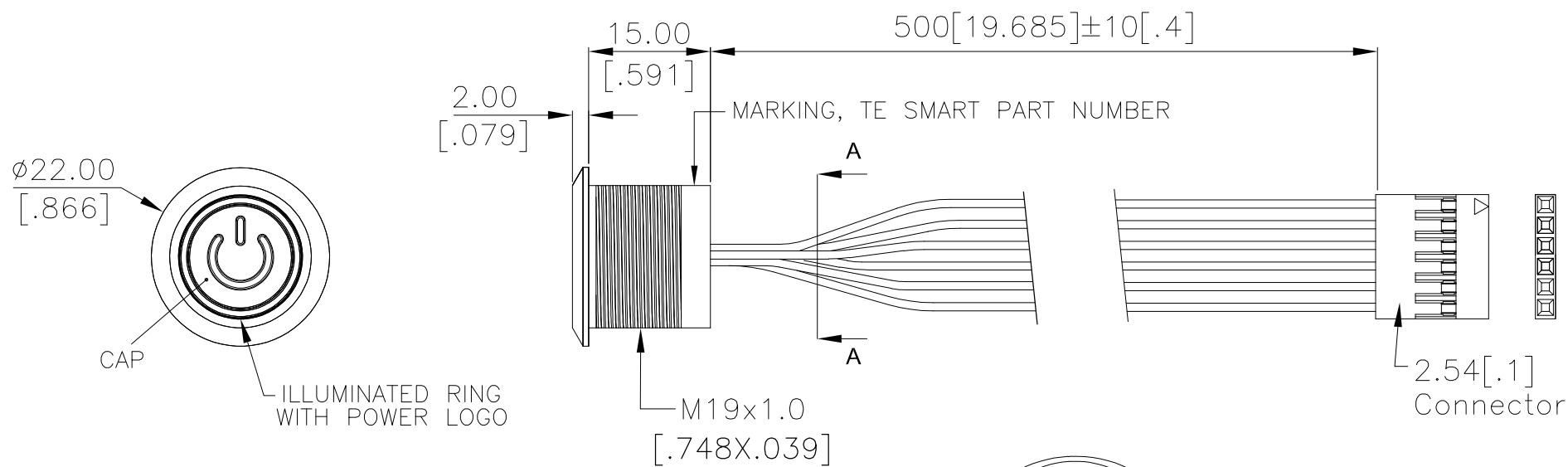
RELEASED FOR PUBLICATION

REVISIONS

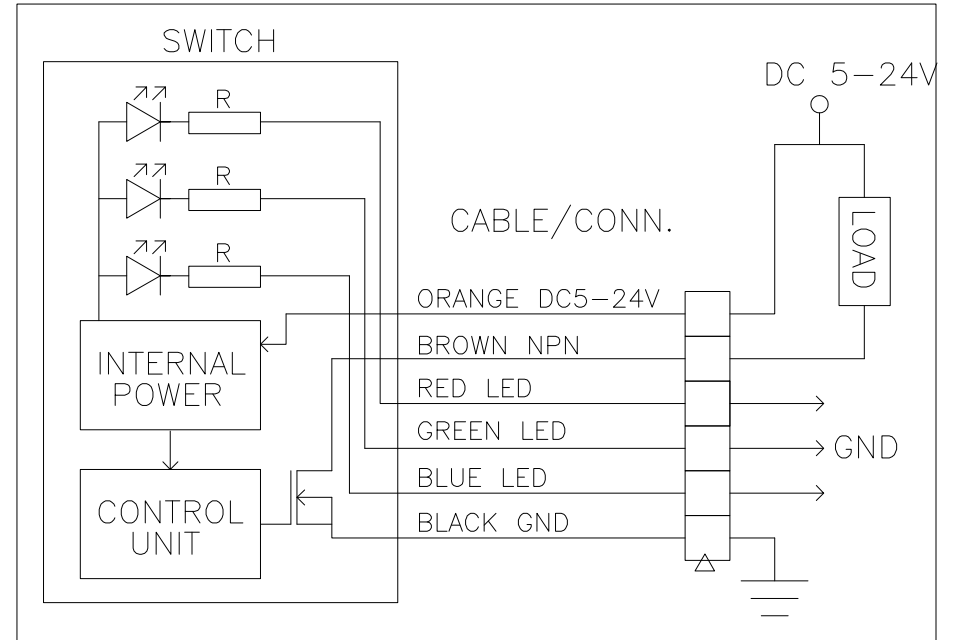
© COPYRIGHT - TE Connectivity Ltd.

ALL RIGHTS RESERVED.

P	LTR	DESCRIPTION	DATE	DWN	APVD
3		DRAWING UPDATED	19DEC2018	RSM	AS



INDICATOR			
SWITCH	LED		
	RED	GREEN	BLUE
OFF	CUSTOMER DEFINED		
ON	CUSTOMER DEFINED		



APPLICABLE FOR TE P/N:
2342835-1
2342835-3
2342835-5
2342835-7
2342835-8
2342835-9

PRELIMINARY

THIS DRAWING IS A CONTROLLED DOCUMENT.

DIMENSIONS:	TOLERANCES UNLESS OTHERWISE SPECIFIED:
mm [INCHES]	
0 PLC	± -
1 PLC	± 0.4 [.016]
2 PLC	± 0.25 [.010]
3 PLC	± -
4 PLC	± -
ANGLES	± -
MATERIAL	FINISH
-	-

DWN	29SEP2018	GANESH C M
CHK	29SEP2018	ALEXANDER SHARPE
APVD	29SEP2018	ALEXANDER SHARPE
PRODUCT SPEC		
APPLICATION SPEC		
WEIGHT	0	
CUSTOMER DRAWING		

STE TE Connectivity Ltd.			
NAME: SWITCH,AV,CAPACITIVE,19mm,FL BTN, ILLUM RING W/POWER LOGO,LED, LEADED W/1x6 REC			
SIZE	CAGE CODE	DRAWING NO	RESTRICTED TO
A3	00779	C-2342835	-
SCALE	SHEET	REV	
NTS	1 of 3	3	

THIS DRAWING IS UNPUBLISHED.

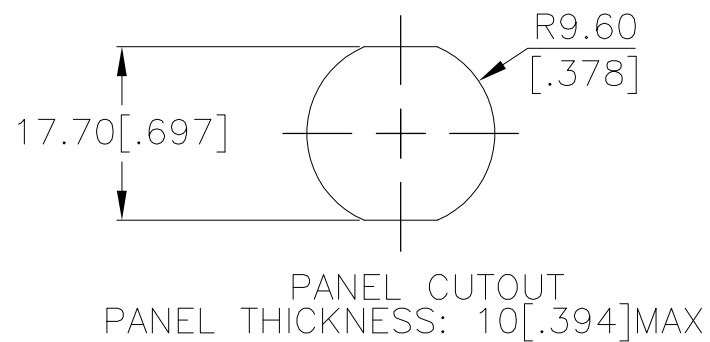
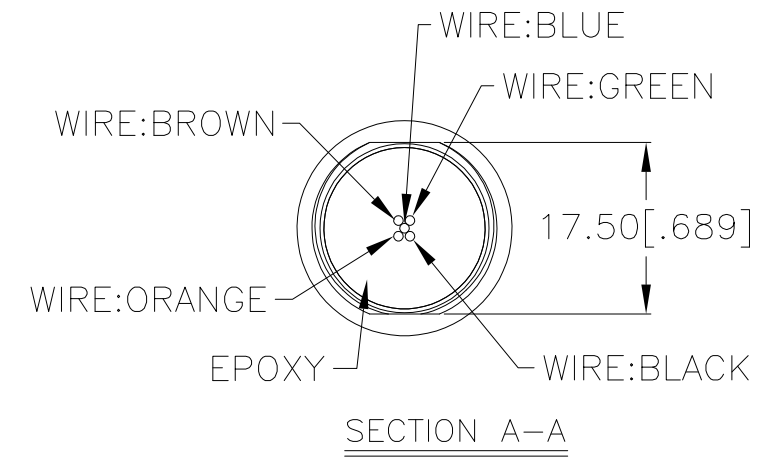
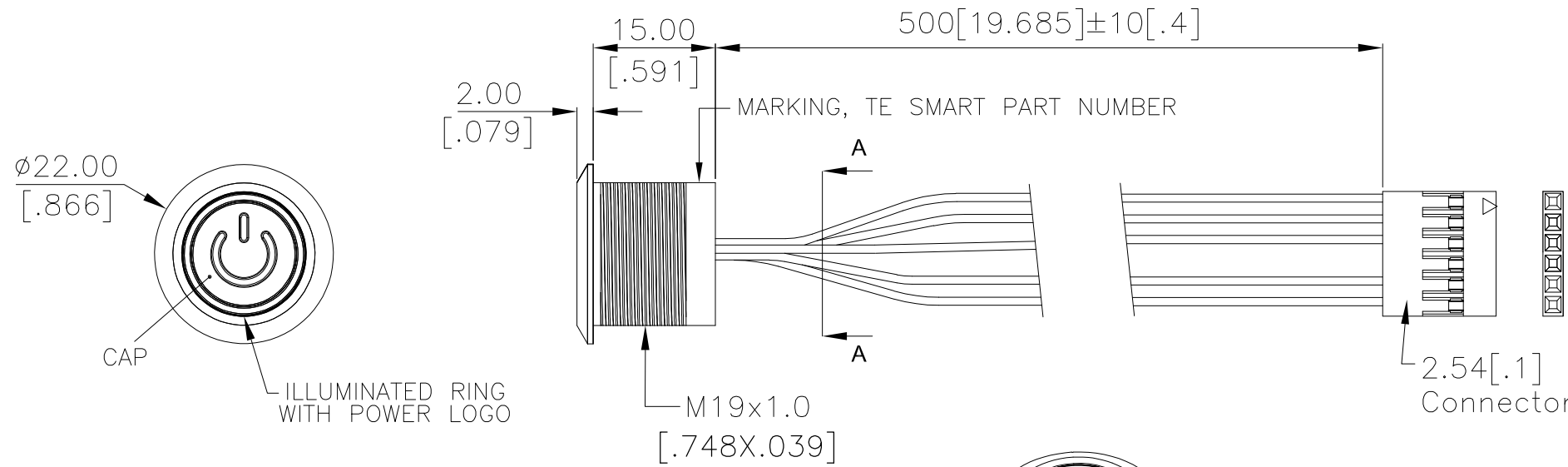
RELEASED FOR PUBLICATION

© COPYRIGHT - TE Connectivity Ltd.

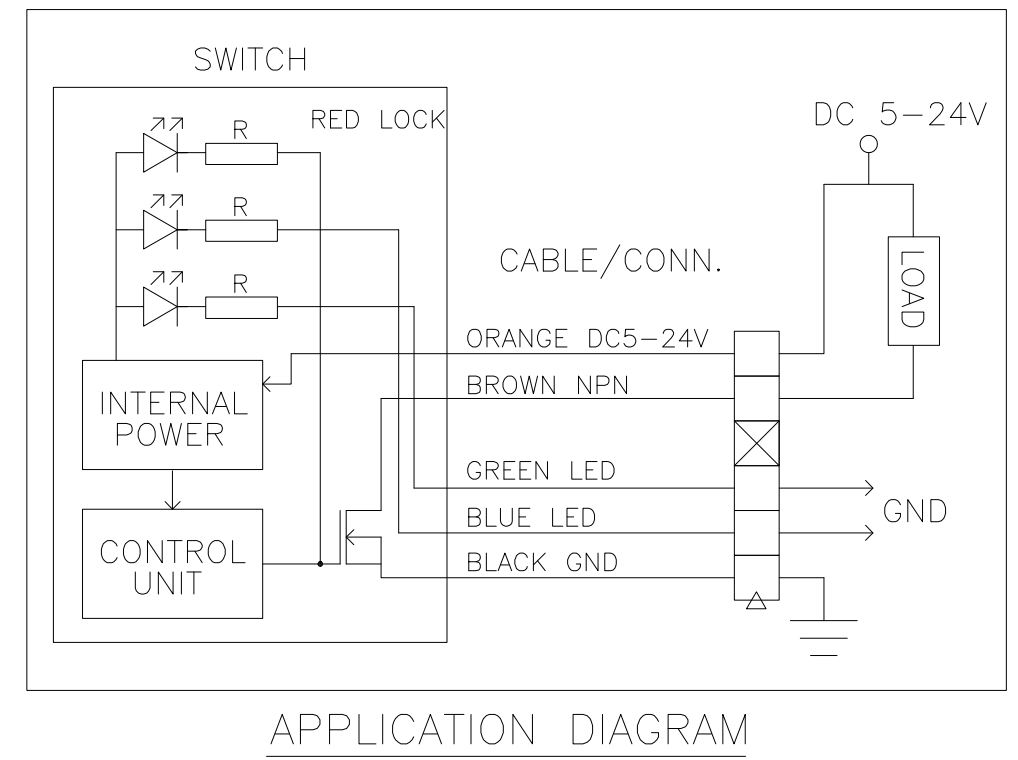
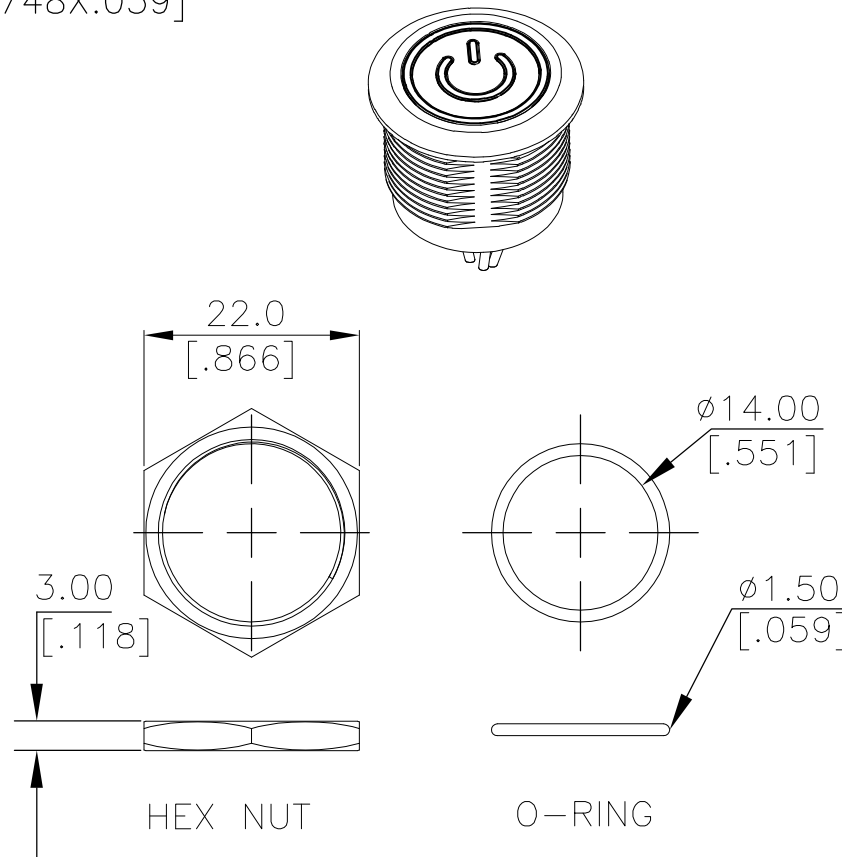
ALL RIGHTS RESERVED.

REVISIONS

P	LTR	DESCRIPTION	DATE	DWN	APVD
-	-	SEE SHEET 1	-	-	-



INDICATOR			
SWITCH	LED		
	RED	GREEN	BLUE
OFF	ON	CUSTOMER DEFINED	
ON	OFF	CUSTOMER DEFINED	



APPLICABLE FOR TE P/N:
2342835-2
2342835-4
2342835-6

THIS DRAWING IS A CONTROLLED DOCUMENT.

DIMENSIONS: mm [INCHES]	TOLERANCES UNLESS OTHERWISE SPECIFIED:
	0 PLC ± -
	1 PLC ± 0.4 [.016]
	2 PLC ± 0.25 [.010]
	3 PLC ± -
	4 PLC ± -
ANGLES	± -

MATERIAL	FINISH
-	-

DWN	29SEP2018
GANESH C M	
CHK	29SEP2018
ALEXANDER SHARPE	
APVD	29SEP2018
ALEXANDER SHARPE	
PRODUCT SPEC	-
APPLICATION SPEC	-
WEIGHT	-
CUSTOMER DRAWING	

				TE Connectivity Ltd.	
NAME					
SWITCH,AV,CAPACITIVE,19mm,FL BTN, ILLUM RING W/POWER LOGO,LED, LEADED W/1x6 REC					
SIZE	CAGE CODE	DRAWING NO	RESTRICTED TO		
A3	00779	C-2342835	-		
SCALE		SHEET	REV		
NTS		2 of 3	3		

PRELIMINARY

THIS DRAWING IS UNPUBLISHED. RELEASED FOR PUBLICATION
 © COPYRIGHT - TE Connectivity Ltd. ALL RIGHTS RESERVED.

REVISIONS					
P	LTR	DESCRIPTION	DATE	DWN	APVD
-	-	SEE SHEET 1	-	-	-

NOTES:

1. SPECIFICATIONS:

1. OPERATING LIFE: 50 MILLION CYCLES MIN.
2. ACTUATION FORCE: TOUCH, ZERO FORCE
3. RATING: 5-24 VDC@1A MAX.
4. CONTACT RESISTANCE: 1Ω MAX.
5. CURRENT DRAW WITHOUT ILLUMINATION: 2mA MAXIMUM
6. CURRENT DRAW WITH ILLUMINATION: 10mA MAXIMUM
7. OUTPUT MODE: NPN TRANSISTOR
8. OPERATING TEMPERATURE: -20° TO 65°C [-4° TO 149°F]
9. STORAGE TEMPERATURE: -40° TO 85°C [-40° TO 185°F]
10. INGRESS PROTECTION: IP68, PANEL SIDE
11. MOUNTING TORQUE: 2.5Nm MAXIMUM

2. MATERIAL:

1. SEALING: SILICONE, EPOXY
2. O-RING: SILICONE
3. HEX NUT: NICKEL PLATED BRASS
4. WIRE: UL3385, UL10368 OR EQUIVALENT
5. BUSHING: SEE TABLE
6. CAP: SEE TABLE

3. PACKAGING:


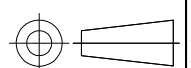
SWITCH ASSEMBLIES ARE INDIVIDUALLY BUNDLED WITH ESD PROTECTION.
 HARDWARE IS NOT ASSEMBLED TO THE SWITCH.

4. COMPLIANCE:

THE CURRENT STATEMENT OF COMPLIANCE IS AVAILABLE AT TE.COM.

5. HARDWARE IS SHIPPED UNASSEMBLED.

PC; STAINLESS STEEL	STAINLESS STEEL 316	RGB	MOMENTARY	AVC19MS16FE1DT5A04	2342835-9
PC; STAINLESS STEEL	STAINLESS STEEL 304	RGB	MOMENTARY	AVC19MS04FE1DT5A04	2342835-8
PC; ALUMINUM	ALUMINUM	RGB	MOMENTARY	AVC19MAIOFE1DT5A04	2342835-7
PC; STAINLESS STEEL	STAINLESS STEEL 316	RED LOCK	LOCKING	AVC19LS16FE13T5A04	2342835-6
PC; STAINLESS STEEL	STAINLESS STEEL 316	RGB	LOCKING	AVC19LS16FE1DT5A04	2342835-5
PC; STAINLESS STEEL	STAINLESS STEEL 304	RED LOCK	LOCKING	AVC19LS04FE13T5A04	2342835-4
PC; STAINLESS STEEL	STAINLESS STEEL 304	RGB	LOCKING	AVC19LS04FE1DT5A04	2342835-3
PC; ALUMINUM	ALUMINUM	RED LOCK	LOCKING	AVC19LAI0FE13T5A04	2342835-2
PC; ALUMINUM	ALUMINUM	RGB	LOCKING	AVC19LAI0FE1DT5A04	2342835-1
CAP MATERIAL	BUSHING MATERIAL	LED COLOR	CONTACT CONFIGURATION	TE SMART PART NUMBER	PART NUMBER

THIS DRAWING IS A CONTROLLED DOCUMENT.		DWN GANESH C M 29SEP2018	 TE Connectivity Ltd.		
DIMENSIONS: mm [INCHES]		CHK ALEXANDER SHARPE 29SEP2018			
		APVD ALEXANDER SHARPE 29SEP2018	NAME SWITCH,AV,CAPACITIVE,19mm,FL BTN, ILLUM RING W/POWER LOGO,LED, LEADED W/1x6 REC		
TOLERANCES UNLESS OTHERWISE SPECIFIED:		PRODUCT SPEC	RESTRICTED TO		
0 PLC ± -		APPLICATION SPEC	SIZE	CAGE CODE	DRAWING NO
1 PLC ± 0.4[.016]		WEIGHT	A3	00779	C-2342835
2 PLC ± 0.25[.010]		CUSTOMER DRAWING			
3 PLC ± -		SCALE NTS			
4 PLC ± -		SHEET 3 OF 3			
ANGLES ± -		REV 3			
FINISH					

PRELIMINARY

X-ON Electronics

Largest Supplier of Electrical and Electronic Components

Click to view similar products for [Pushbutton Switches](#) category:

Click to view products by [TE Connectivity](#) manufacturer:

Other Similar products are found below :

[8940K2012](#) [LW1L-M1C10V-A](#) [LW1L-M1C70-A](#) [LW2L-A1C20M-GD](#) [LW2L-M1C20M-A](#) [60324L](#) [M22-D-R-GB0/K11](#) [M7E-HRN2](#)
[67021K512](#) [67081K512X](#) [701PB580](#) [7199K101](#) [810K12910](#) [810KSV30B](#) [MML21EA2ADK](#) [MML21KA3ABK](#) [MML23KA3AC05K-001](#)
[MML23KW3AA01W](#) [8418K2](#) [8442K3](#) [8450K1](#) [860K11911T01A](#) [861901](#) [861K11911T01A07](#) [861K13810T00A14](#) [861K13911](#)
[8646AB6X718UL](#) [8646ABUL](#) [9001KXRK](#) [907AYY100](#) [PMHD155A1](#) [9533CD4+U574+U4922](#) [95-414.000](#) [99-450.837](#) [99-453.837](#)
[PV3H2B0NN-341](#) [1203MRA](#) [A22NZBGANGA](#) [A22NZBNANGA](#) [A22NZMPATRA](#) [A2PMA1X03EC56](#) [A3A-5123-02](#) [A3A-7140](#) [A3A-7310](#) [A3A-7340](#) [A3U-TMW-A2C-5M](#) [A595](#) [12037A2ULCSA](#) [ABD122N-B](#) [1211390004](#)