

THIS DRAWING IS UNPUBLISHED.

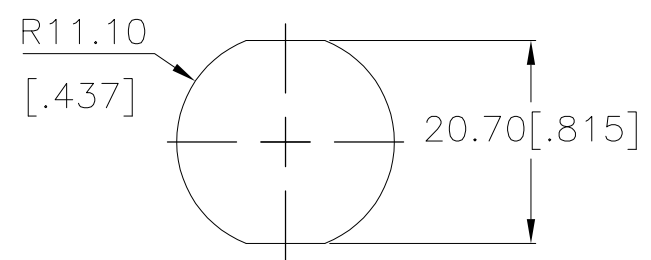
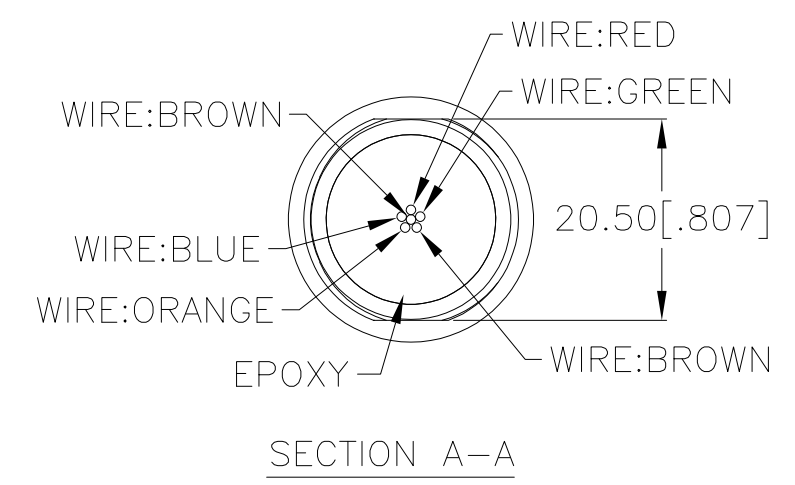
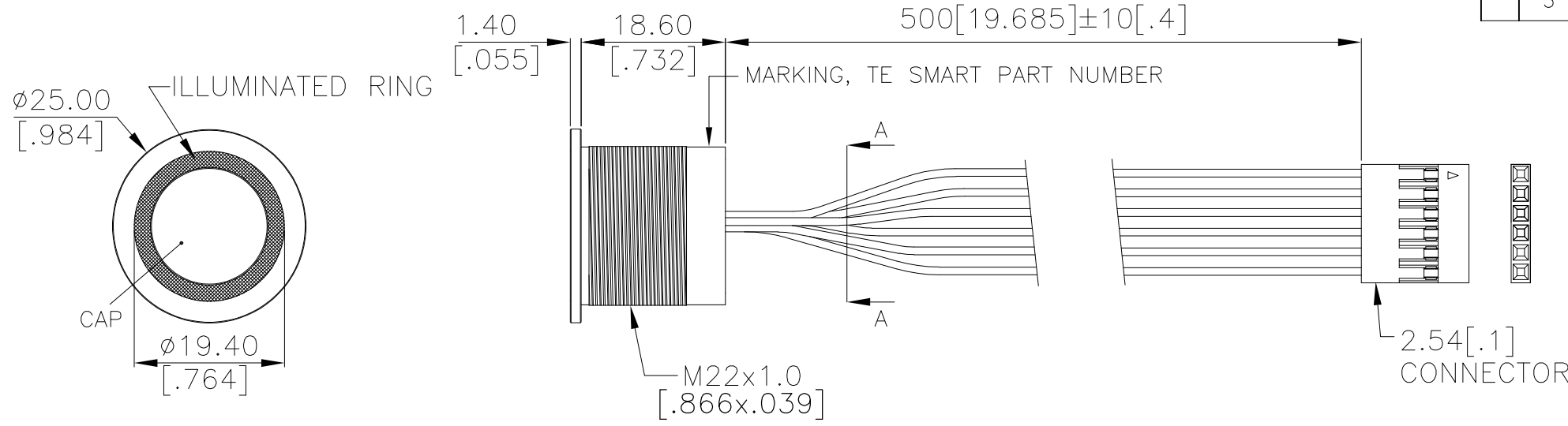
RELEASED FOR PUBLICATION

ALL RIGHTS RESERVED.

© COPYRIGHT - TE Connectivity Ltd.

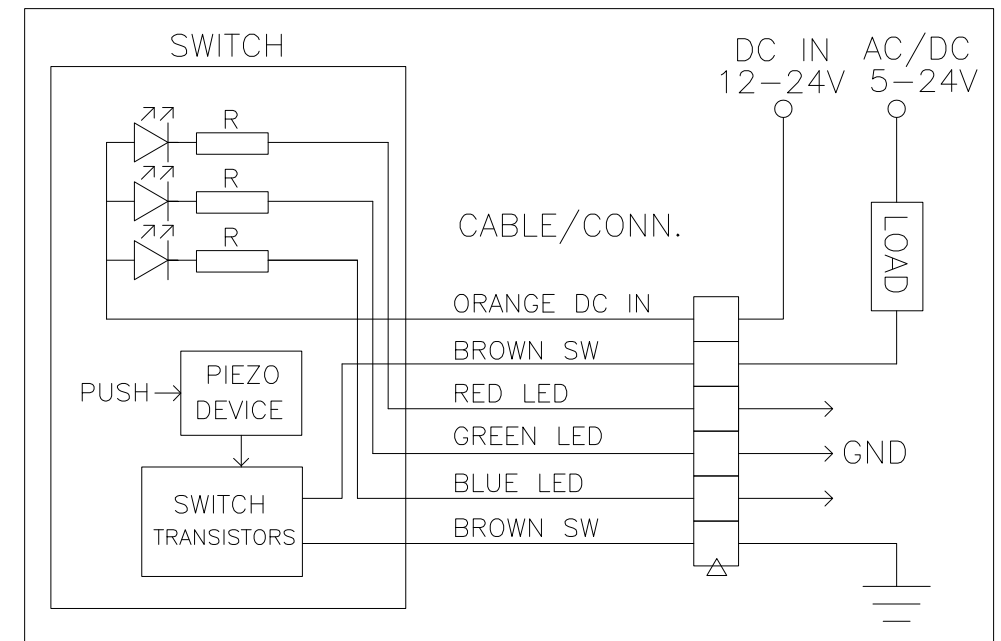
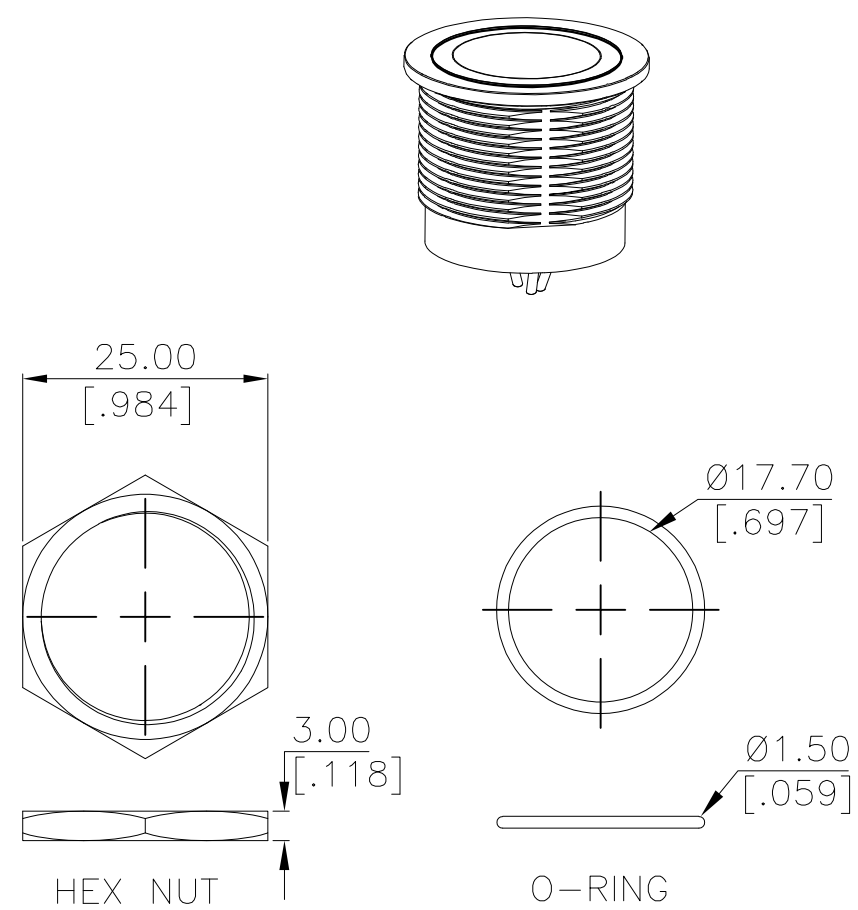
REVISIONS

P	LTR	DESCRIPTION	DATE	DWN	APVD
	3	DRAWING UPDATED	20DEC2018	RSM	AS



PANEL CUTOUT
PANEL THICKNESS: 10 [.394] MAX

INDICATOR		LED		
SWITCH		RED	GREEN	BLUE
OFF	CUSTOMER DEFINED			
ON				



APPLICATION DIAGRAM

PRELIMINARY

THIS DRAWING IS A CONTROLLED DOCUMENT.		DWN GANESH C M 29SEP2018	TE Connectivity Ltd.													
DIMENSIONS: mm [INCHES]		CHK ALEXANDER SHARPE 29SEP2018														
TOLERANCES UNLESS OTHERWISE SPECIFIED:		APVD ALEXANDER SHARPE 29SEP2018	NAME													
<table border="1"> <tr><td>0 PLC</td><td>± -</td></tr> <tr><td>1 PLC</td><td>± 0.4 [.016]</td></tr> <tr><td>2 PLC</td><td>± 0.25 [.010]</td></tr> <tr><td>3 PLC</td><td>± -</td></tr> <tr><td>4 PLC</td><td>± -</td></tr> <tr><td>ANGLES</td><td>± -</td></tr> </table>		0 PLC	± -	1 PLC	± 0.4 [.016]	2 PLC	± 0.25 [.010]	3 PLC	± -	4 PLC	± -	ANGLES	± -	PRODUCT SPEC	SWITCH,AV,PIEZO,22mm,FL BTN, ILLUM RING,LED,LEADED W/ 1x6 REC	
0 PLC	± -															
1 PLC	± 0.4 [.016]															
2 PLC	± 0.25 [.010]															
3 PLC	± -															
4 PLC	± -															
ANGLES	± -															
MATERIAL		FINISH	SIZE	RESTRICTED TO												
-		-	A3 00779	-												
CUSTOMER DRAWING		SCALE	DRAWING NO	REV												
-		NTS	C=2342842	3												
		SHEET	1 OF 2													

THIS DRAWING IS UNPUBLISHED. RELEASED FOR PUBLICATION
 © COPYRIGHT - TE Connectivity Ltd. ALL RIGHTS RESERVED.

REVISIONS					
P	LTR	DESCRIPTION	DATE	DWN	APVD
-	-	SEE SHEET 1	-	-	-

NOTES:

1. SPECIFICATIONS:

1. OPERATING LIFE: 50 MILLION CYCLES MIN.
2. ACTUATION FORCE: 2 N - 5 N [0.45 LBF - 1.12 LBF]
3. RATING: 5-24 VDC@1A MAX., 5-24 VAC@1A MAX.
4. CONTACT RESISTANCE: 1Ω MAX.
5. LED: 12-24 VDC
6. TYPE: MOMENTARY PULSE, 200mS MIN.
7. OUTPUT MODE: TRANSISTOR
8. OPERATING TEMPERATURE: -20° TO 65°C [-4° TO 149°F]
9. STORAGE TEMPERATURE: -40° TO 85°C [-40° TO 185°F]
10. INGRESS PROTECTION: IP68, PANEL SIDE
11. MOUNTING TORQUE: 2.5Nm MAXIMUM

2. MATERIAL:

1. SEALING: SILICONE, EPOXY
2. O-RING: SILICONE
3. HEX NUT: NICKEL PLATED BRASS
4. WIRE: UL3385, UL10368 OR EQUIVALENT
5. BUSHING: SEE TABLE
6. CAP: SEE TABLE

3. PACKAGING:


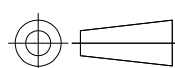
SWITCH ASSEMBLIES ARE INDIVIDUALLY BUNDLED WITH ESD PROTECTION.
 HARDWARE IS NOT ASSEMBLED TO THE SWITCH.

4. COMPLIANCE:

THE CURRENT STATEMENT OF COMPLIANCE IS AVAILABLE AT TE.COM.

5. HARDWARE IS SHIPPED UNASSEMBLED.

PC; STAINLESS STEEL	STAINLESS STEEL 316	RGB	MOMENTARY	AVP22MS16FE0DT5A04	2342842-4
PC; STAINLESS STEEL	STAINLESS STEEL 304	RGB	MOMENTARY	AVP22MS04FE0DT5A04	2342842-3
PC; ALUMINUM, BLACK ANODIZED	ALUMINUM, BLACK ANODIZED	RGB	MOMENTARY	AVP22MAIBFE0DT5A04	2342842-2
PC; ALUMINUM	ALUMINUM	RGB	MOMENTARY	AVP22MAIOFE0DT5A04	2342842-1
CAP MATERIAL	BUSHING MATERIAL	LED COLOR	CONTACT CONFIGURATION	TE SMART PART NUMBER	PART NUMBER

THIS DRAWING IS A CONTROLLED DOCUMENT.		DWN GANESH C M 29SEP2018	 TE Connectivity Ltd.		
DIMENSIONS: mm [INCHES]		CHK ALEXANDER SHARPE 29SEP2018			
		APVD ALEXANDER SHARPE 29SEP2018	NAME SWITCH,AV,PIEZO,22mm,FL BTN, ILLUM RING,LED,LEADED W/ 1x6 REC		
TOLERANCES UNLESS OTHERWISE SPECIFIED:		PRODUCT SPEC	SIZE		
0 PLC ± -	1 PLC ± 0.4[.016]	APPLICATION SPEC	CAGE CODE		
2 PLC ± 0.25[.010]	3 PLC ± -	WEIGHT	DRAWING NO		
4 PLC ± -	ANGLES ± -	CUSTOMER DRAWING	RESTRICTED TO		
MATERIAL	FINISH	SCALE		SHEET	REV
-	-	NTS		2 OF 2	3

PRELIMINARY

X-ON Electronics

Largest Supplier of Electrical and Electronic Components

Click to view similar products for [Pushbutton Switches](#) category:

Click to view products by [TE Connectivity](#) manufacturer:

Other Similar products are found below :

[8940K2012](#) [LW1L-M1C10V-A](#) [LW1L-M1C70-A](#) [LW2L-A1C20M-GD](#) [LW2L-M1C20M-A](#) [60324L](#) [M22-D-R-GB0/K11](#) [M7E-HRN2](#)
[67021K512](#) [67081K512X](#) [701PB580](#) [7199K101](#) [810K12910](#) [810KSV30B](#) [MML21EA2ADK](#) [MML21KA3ABK](#) [MML23KA3AC05K-001](#)
[MML23KW3AA01W](#) [8418K2](#) [8442K2](#) [8442K3](#) [8450K1](#) [860K11911T01A](#) [861901](#) [861K11911T01A07](#) [861K13810T00A14](#) [861K13911](#)
[8646AB6X718UL](#) [8646ABUL](#) [9001KXRK](#) [907AYY100](#) [PMHD155A1](#) [9533CD4+U574+U4922](#) [95-414.000](#) [99-450.837](#) [99-453.837](#)
[PV3H2B0NN-341](#) [1203MRA](#) [A22NZBGANGA](#) [A22NZBNANGA](#) [A22NZMPATRA](#) [A2PMA1X03EC56](#) [A3A-5123-02](#) [A3A-7140](#) [A3A-7310](#) [A3A-7340](#) [A3U-TMW-A2C-5M](#) [A595](#) [12037A2ULCSA](#) [ABD122N-B](#)