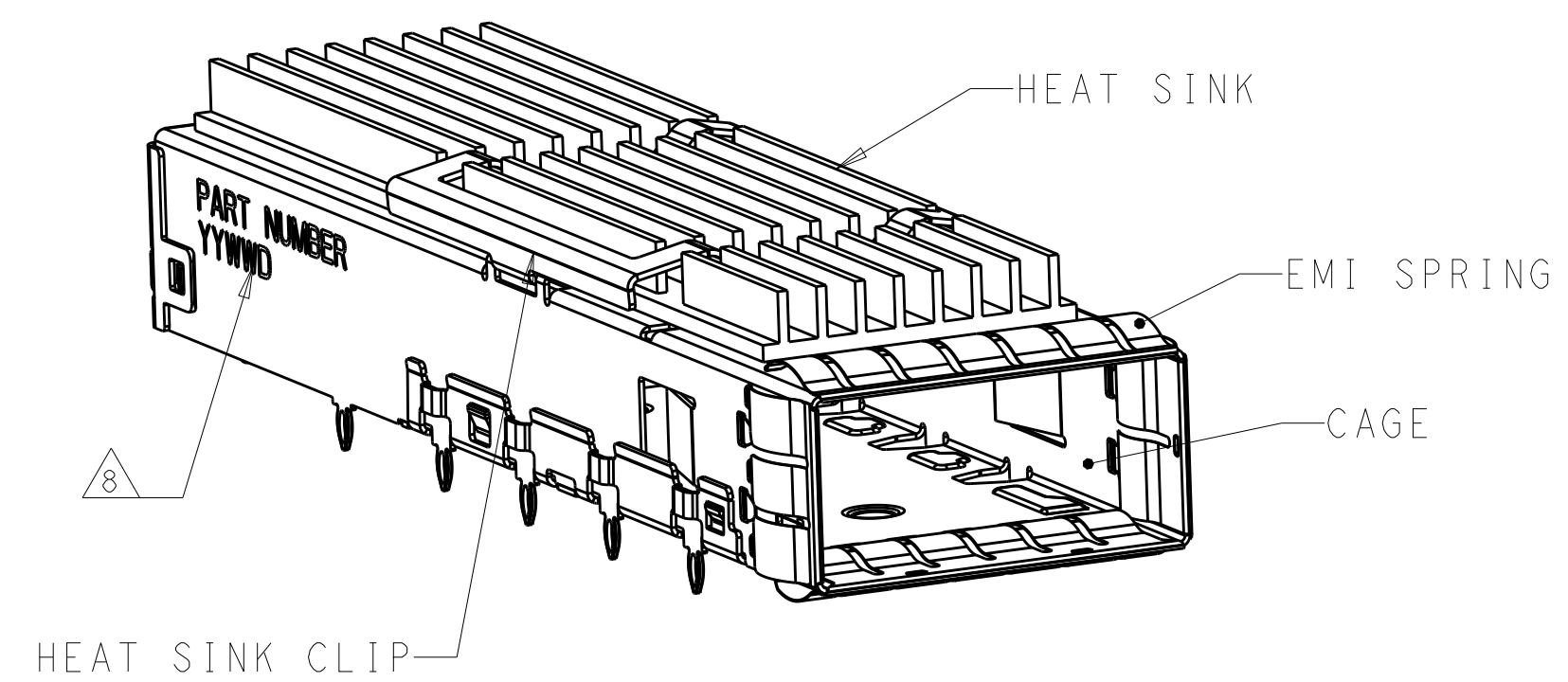
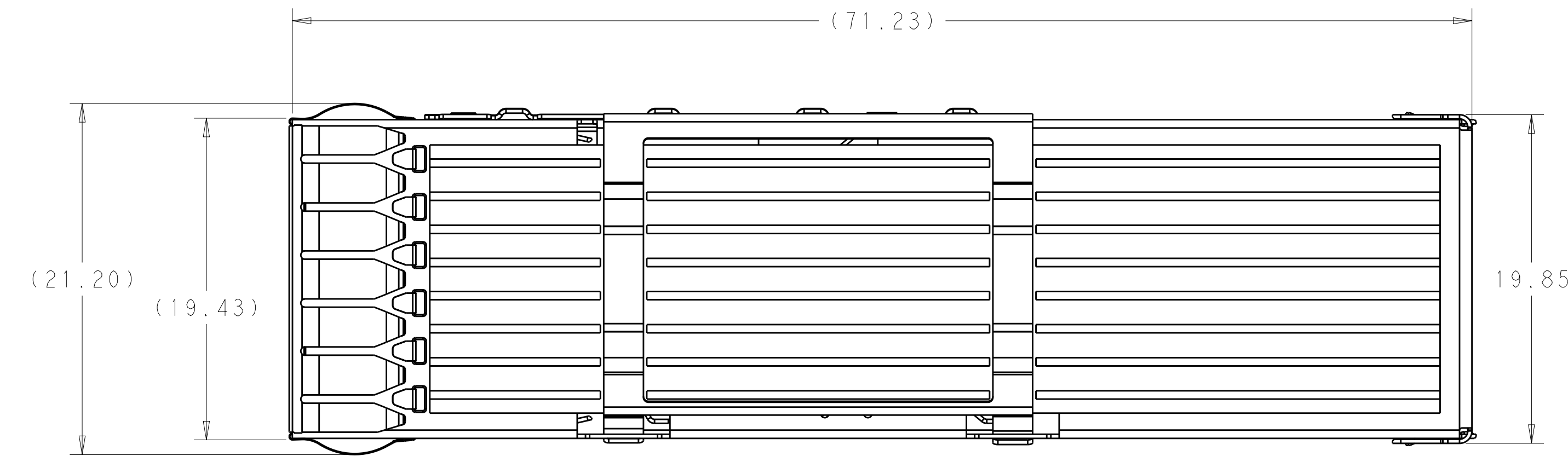


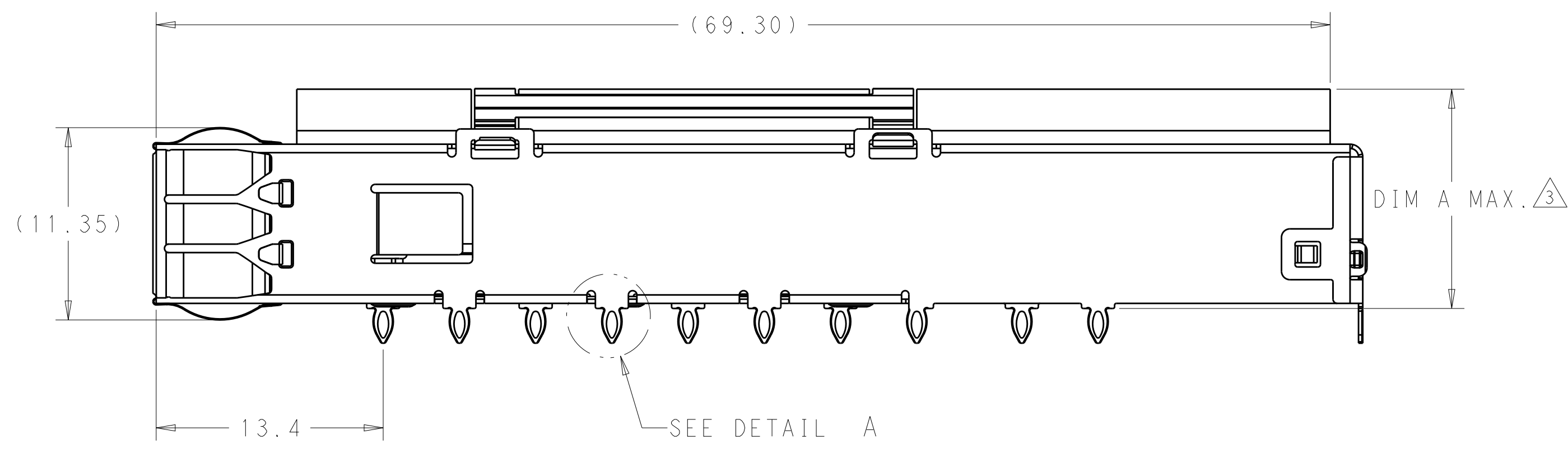
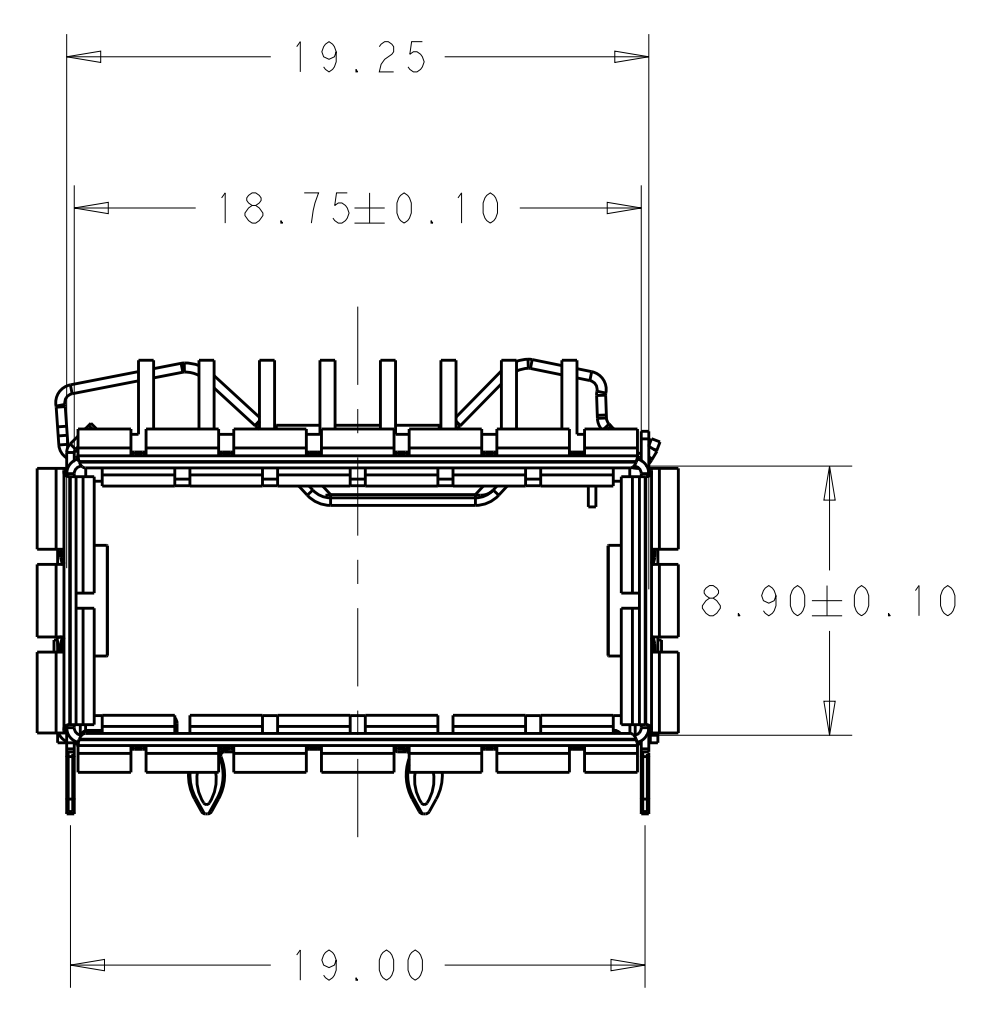
LOC		DIST		REVISIONS			
		P	LTN	DESCRIPTION	DATE	DMN	APVD
		A		INITIAL RELEASE	13JUN2019	AJ	SH



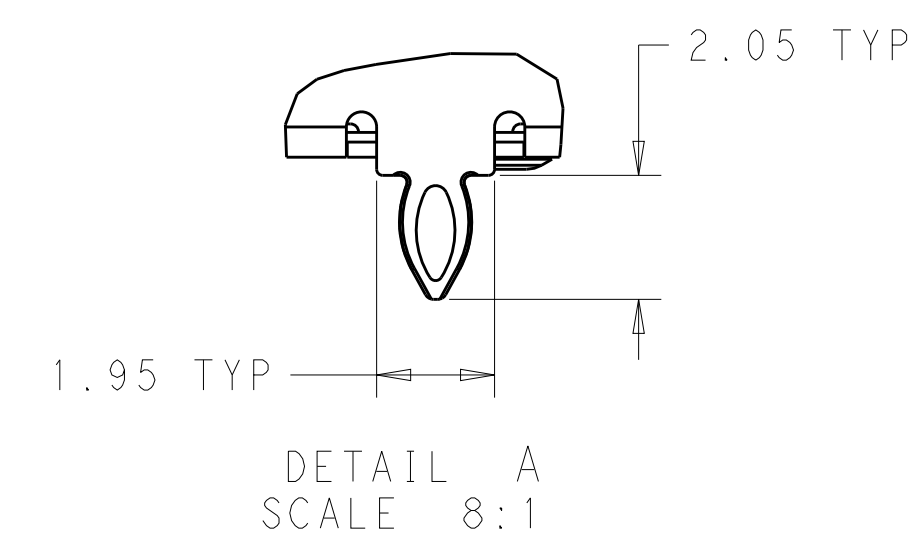
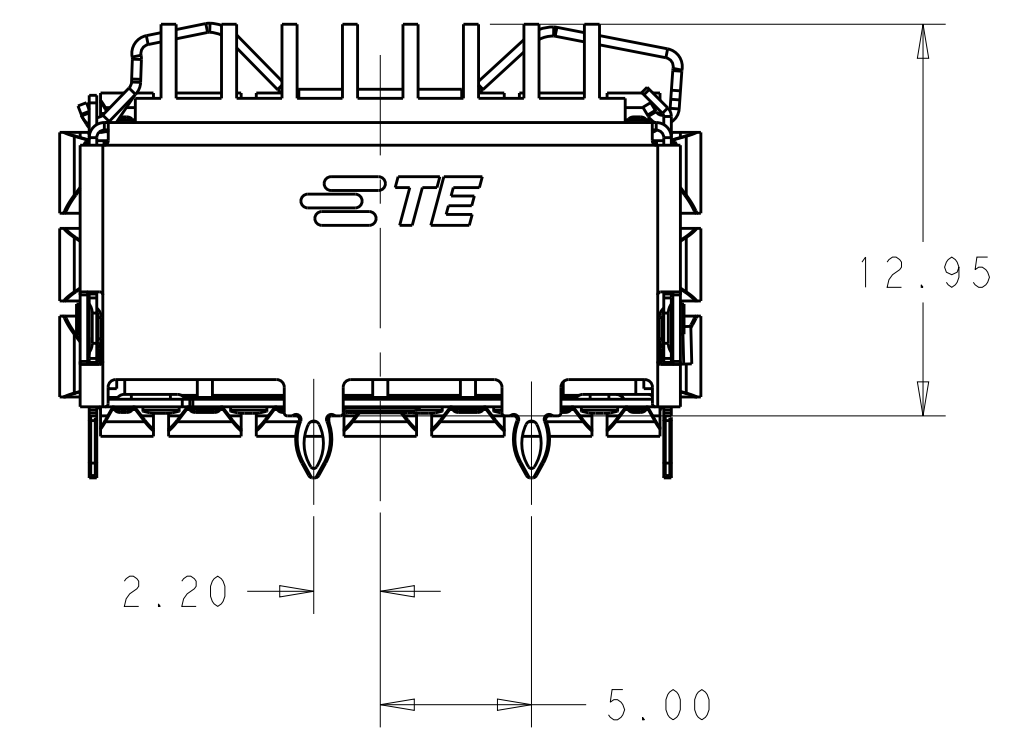
2342933-1 AS SHOWN  
SCALE 3:1



- MATERIAL:  
CAGE MATERIAL : 0.25 THICK STAINLESS STEEL.  
SPRING MATERIAL: COPPER ALLOY  
CLIP MATERIAL: STAINLESS STEEL  
HEAT SINK: ALUMINUM
- FINISH:  
SPRING: NICKEL PLATING  
HEAT SINK: BLACK ANODIZATION
- DIMENSION APPLIES WITH MODULE INSTALLED IN THE CAGE TO TOP OF HEAT SINK.
- REFERENCE APPLICATION SPEC 114-60025 FOR RECOMMENDED DRILL HOLE DIAMETER AND PLATING THICKNESS.
- DATUM AND BASIC DIMENSIONS ESTABLISHED BY CUSTOMERS.
- MINIMUM PC BOARD THICKNESS : SINGLES SIDED: 1.57 MIN  
DOUBLE SIDED: 3.00 MIN
- DATUM **-A-** IS TOP SURFACE OF THE HOST BOARD.
- DATE CODE (YYWWD) MARKED APPROXIMATELY AS SHOWN
- MATES WITH QSFP DD MSA COMPATIBLE TRANSCEIVER.



2342933-1 AS SHOWN  
SCALE 4:1

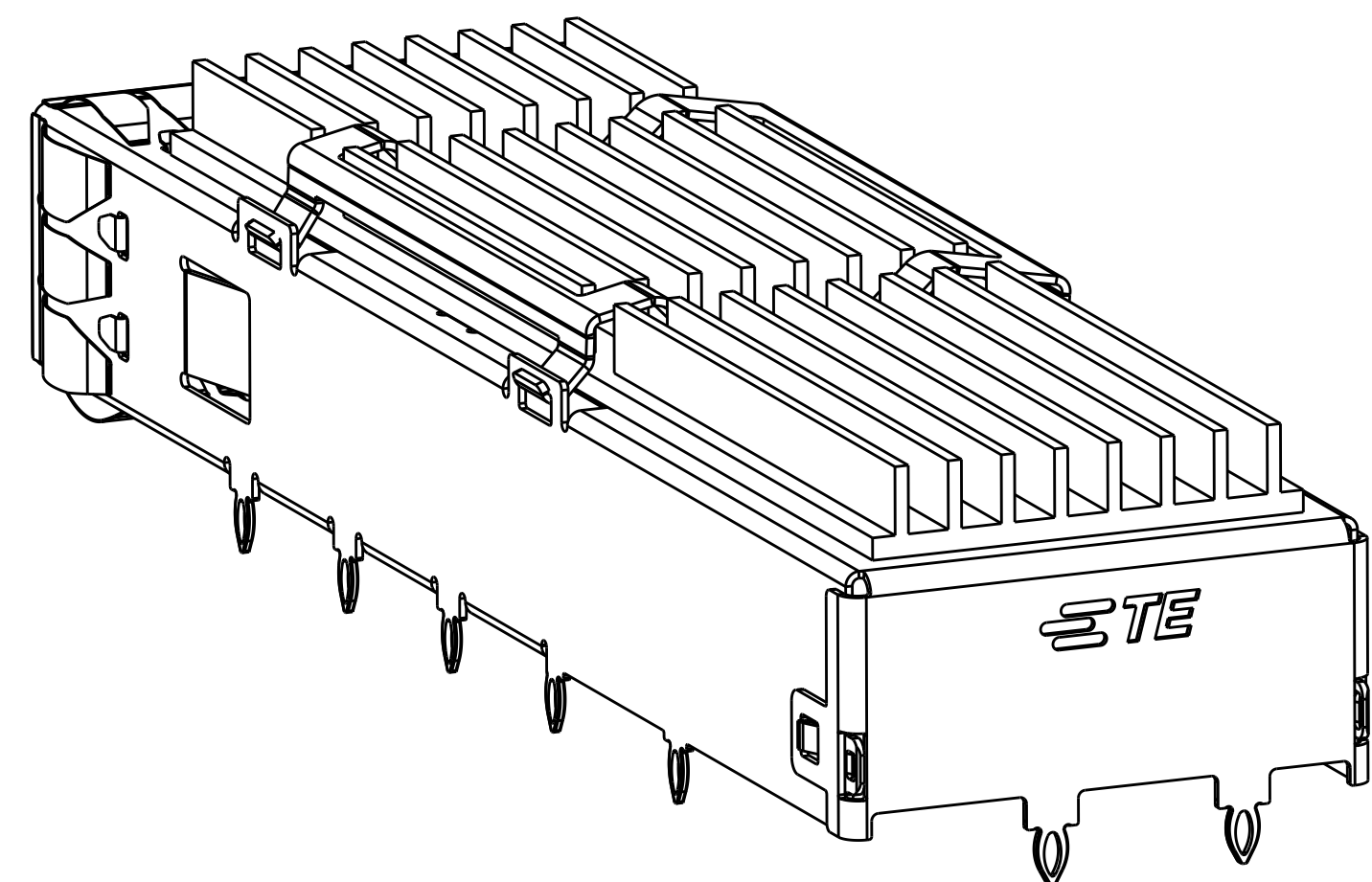


DETAIL A  
SCALE 8:1

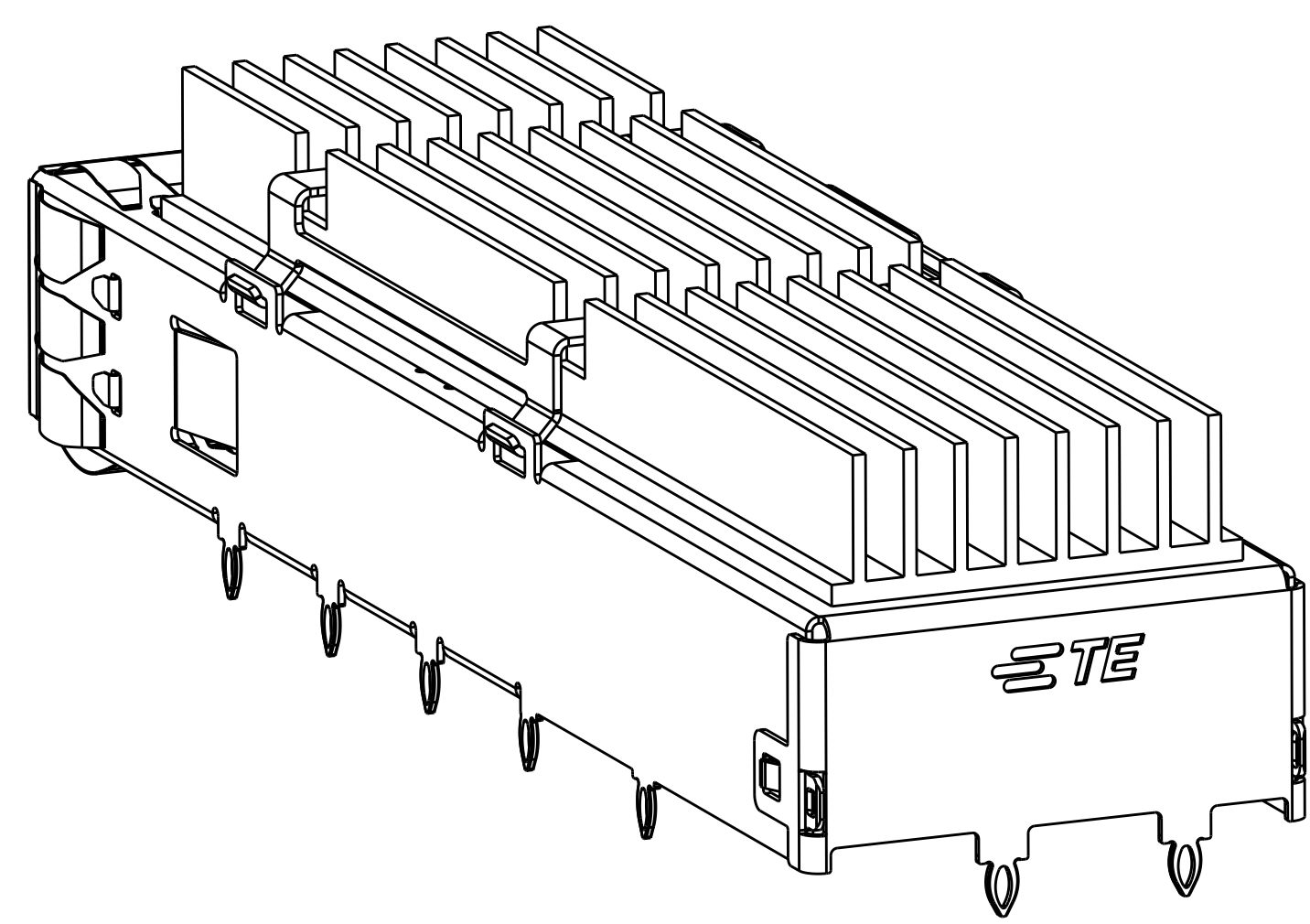
23.00	2	NETWORKING	2342933-3
16.00	2	SAN	2342933-2
13.70	2	PCI	2342933-1
DIM A	# REAR PINS	APPLICATION (HEAT SINK OPTION)	PART NUMBER

THIS DRAWING IS A CONTROLLED DOCUMENT.		DMN: ARTHUR_JLN 29AUG2018	TE Connectivity	
DIMENSIONS: mm		CHK: SEAN_HAN 29AUG2018		
TOLERANCES UNLESS OTHERWISE SPECIFIED:		APVD: SEAN_HAN 29AUG2018		
0 PLC	±0.25	PRODUCT SPEC	CAGE ASSEMBLY, QSFP-DD STANDARD WITH EMI SPRING FINGER	
1 PLC	±0.25	108-60122	SIZE: A1	
2 PLC	±0.20	APPLICATION SPEC	CAGE CODE: -	
3 PLC	±0.10	114-60025	DRAWING NO: C=2342933	
4 PLC	±	WEIGHT	RESTRICTED TO	
ANGLES	±	CUSTOMER DRAWING	SCALE: 2:1 SHEET 1 OF 5 REV A	

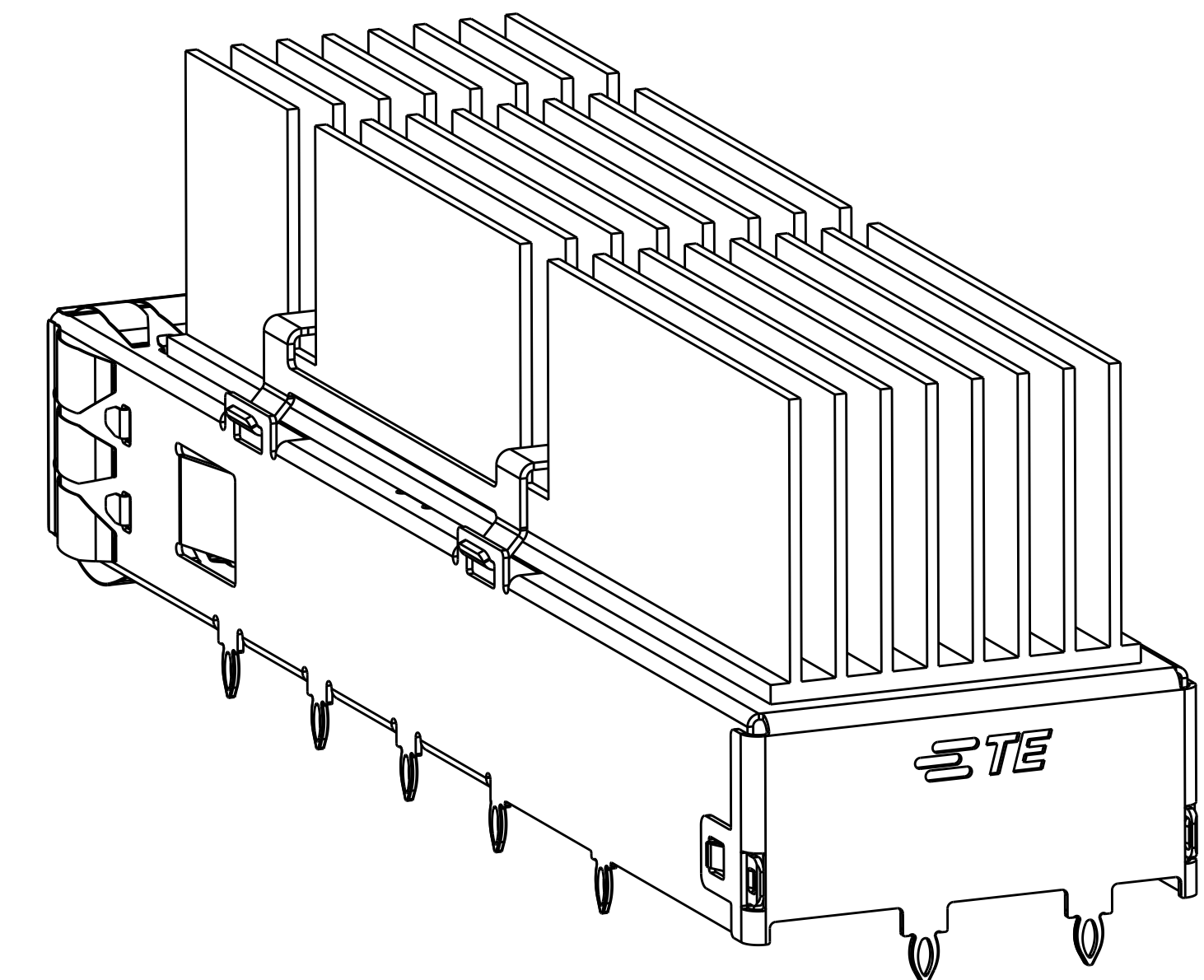
LOC		DIST		REVISIONS			
				REV	DATE	BY	APPD
-	-	-	-	-	-	-	-
-	-	-	-	-	SEE SHEET 1	-	-
-	-	-	-	-	-	-	-
-	-	-	-	-	-	-	-



2342933-1 AS SHOWN  
 WITH PCI HEAT SINK  
 SCALE 4:1



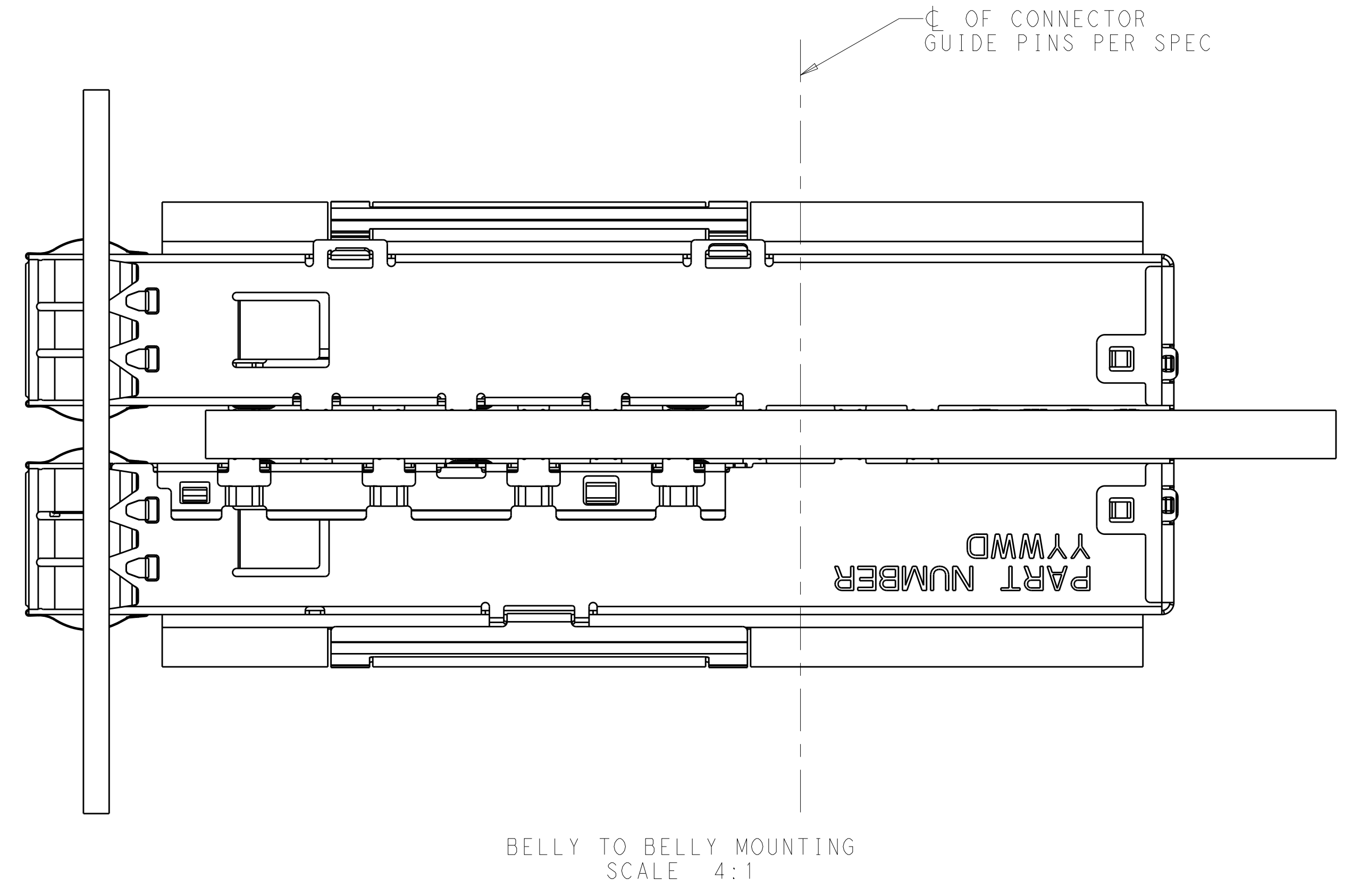
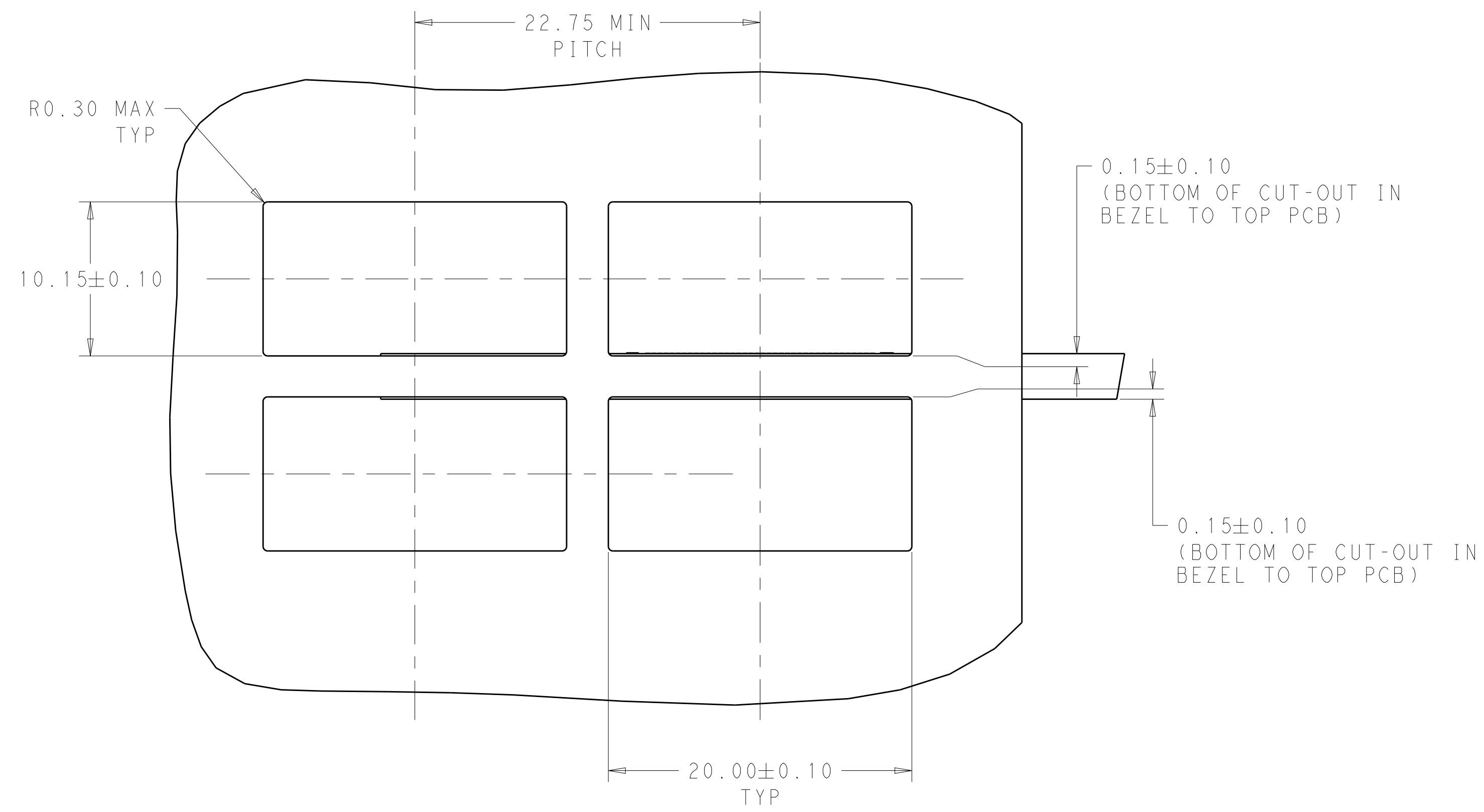
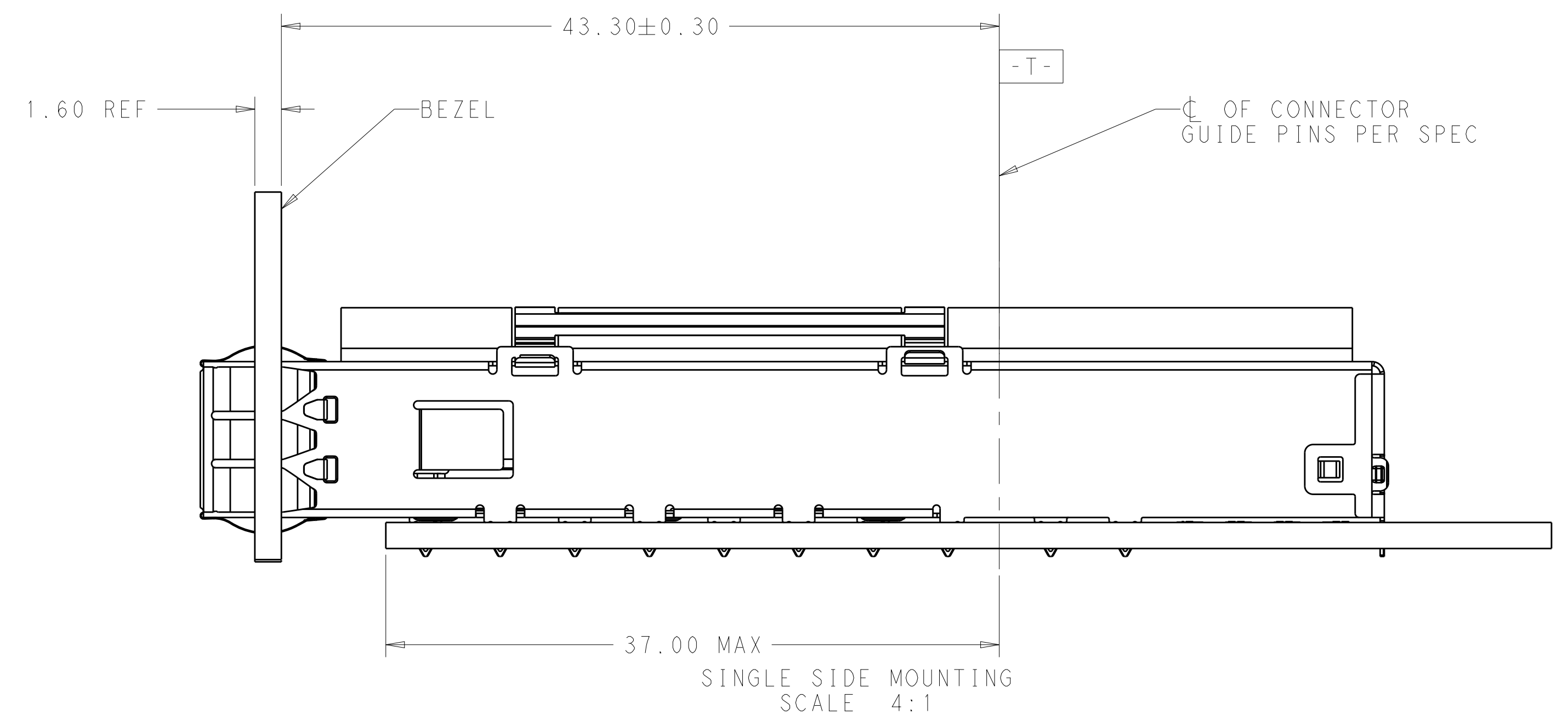
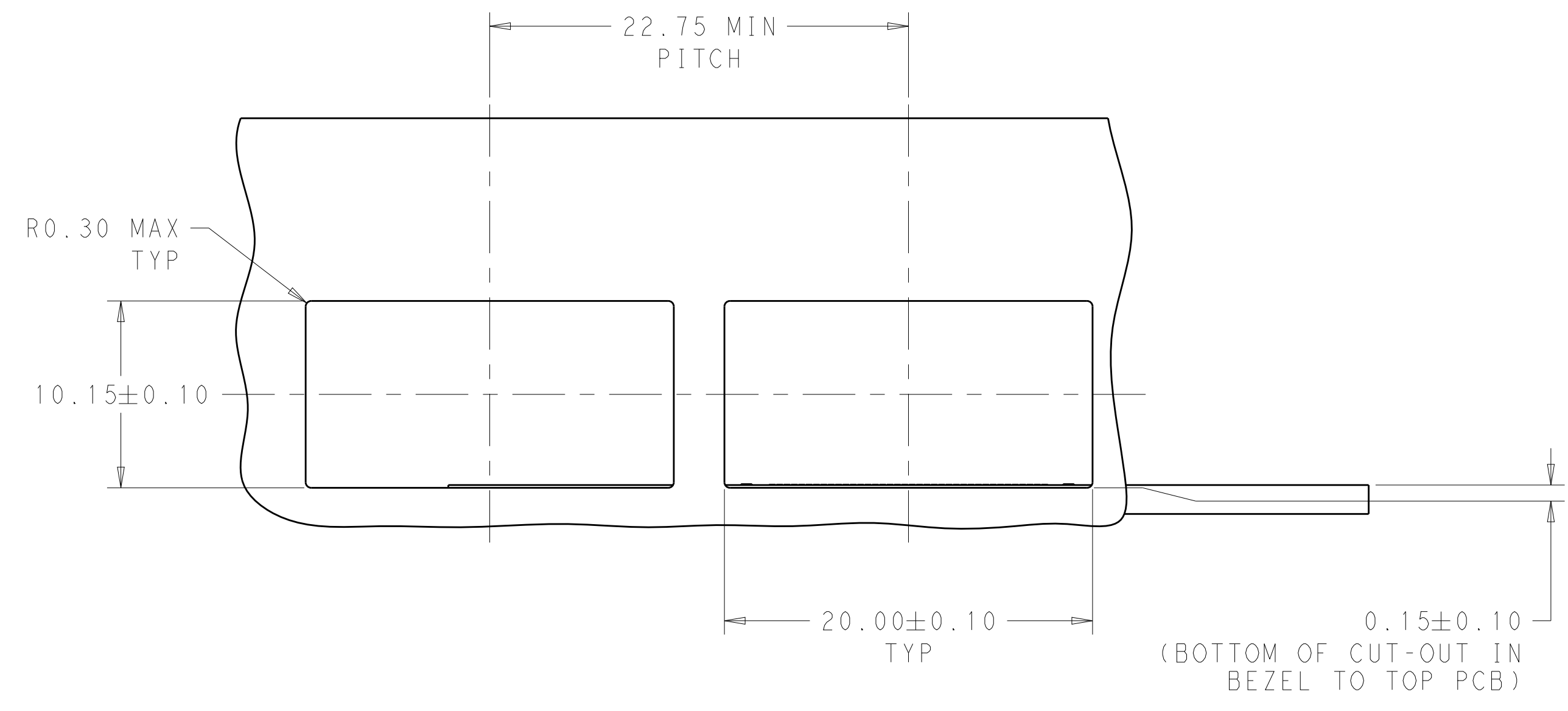
2342933-2 AS SHOWN  
 WITH SAN HEAT SINK  
 SCALE 4:1



2342933-3 AS SHOWN  
 WITH NETWORKING HEAT SINK  
 SCALE 4:1

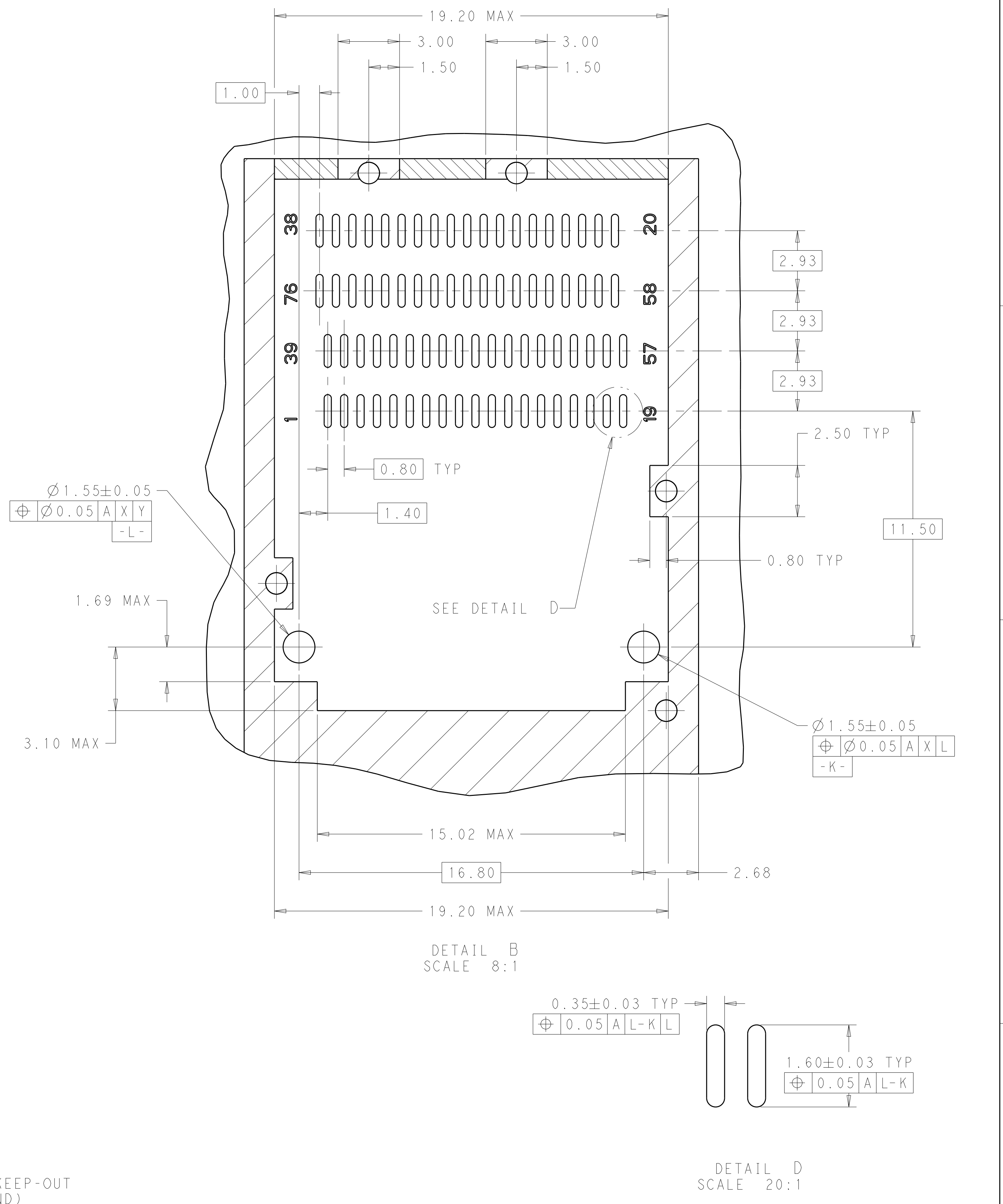
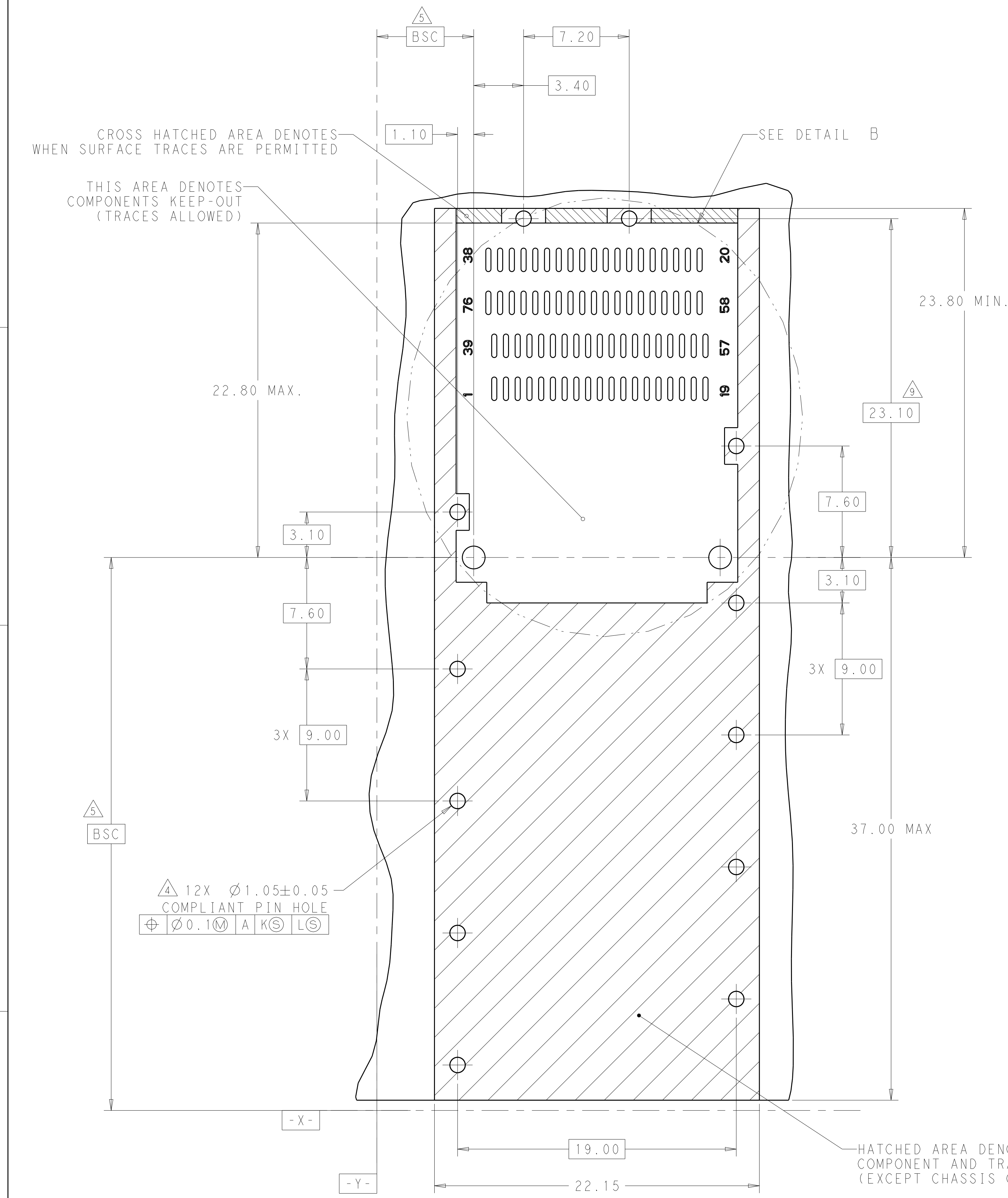
THIS DRAWING IS A CONTROLLED DOCUMENT.		OWN: ARTHUR JLN 29AUG2018	
		CHK: SEAN HAN 29AUG2018	
DIMENSIONS:		APVD: SEAN HAN 29AUG2018	NAME: CAGE ASSEMBLY, QSFP-DD STANDARD WITH EMI SPRING FINGER
TOLERANCES UNLESS OTHERWISE SPECIFIED: 0 PLC ±0.25 1 PLC ±0.25 2 PLC ±0.20 3 PLC ±0.10 4 PLC ± ANGLES ±°		PRODUCT SPEC: 108-60122	
MATERIAL: - FINISH: -		APPLICATION SPEC: 114-60025	RESTRICTED TO: -
		WEIGHT: -	SIZE: A1
		CUSTOMER DRAWING	SCALE: 2:1 SHEET 2 OF 5 REV A

LOC		DIST		REVISIONS			
				DESCRIPTION	DATE	DWN	APVD
-	-	-	-	SEE SHEET 1	-	-	-



THIS DRAWING IS A CONTROLLED DOCUMENT.		DWN: ARTHUR JLN 29AUG2018	TE Connectivity
DIMENSIONS: mm		CHK: SEAN HAN 29AUG2018	
TOLERANCES UNLESS OTHERWISE SPECIFIED:		APVD: SEAN HAN 29AUG2018	NAME: CAGE ASSEMBLY, QSFP-DD STANDARD WITH EMI SPRING FINGER
0 PLC ±0.25	1 PLC ±0.25	PRODUCT SPEC: 108-60122	SIZE: A1
2 PLC ±0.20	3 PLC ±0.10	APPLICATION SPEC: 114-60025	CAGE CODE: 2342933
4 PLC ±	ANGLES ±	WEIGHT: -	RESTRICTED TO: -
MATERIAL: -	FINISH: -	CUSTOMER DRAWING	SCALE: 2:1 SHEET 3 OF 5 REV A

LOC	DIST	REV	DATE	BY	APPD
-	-	1	SEE SHEET 1	-	-



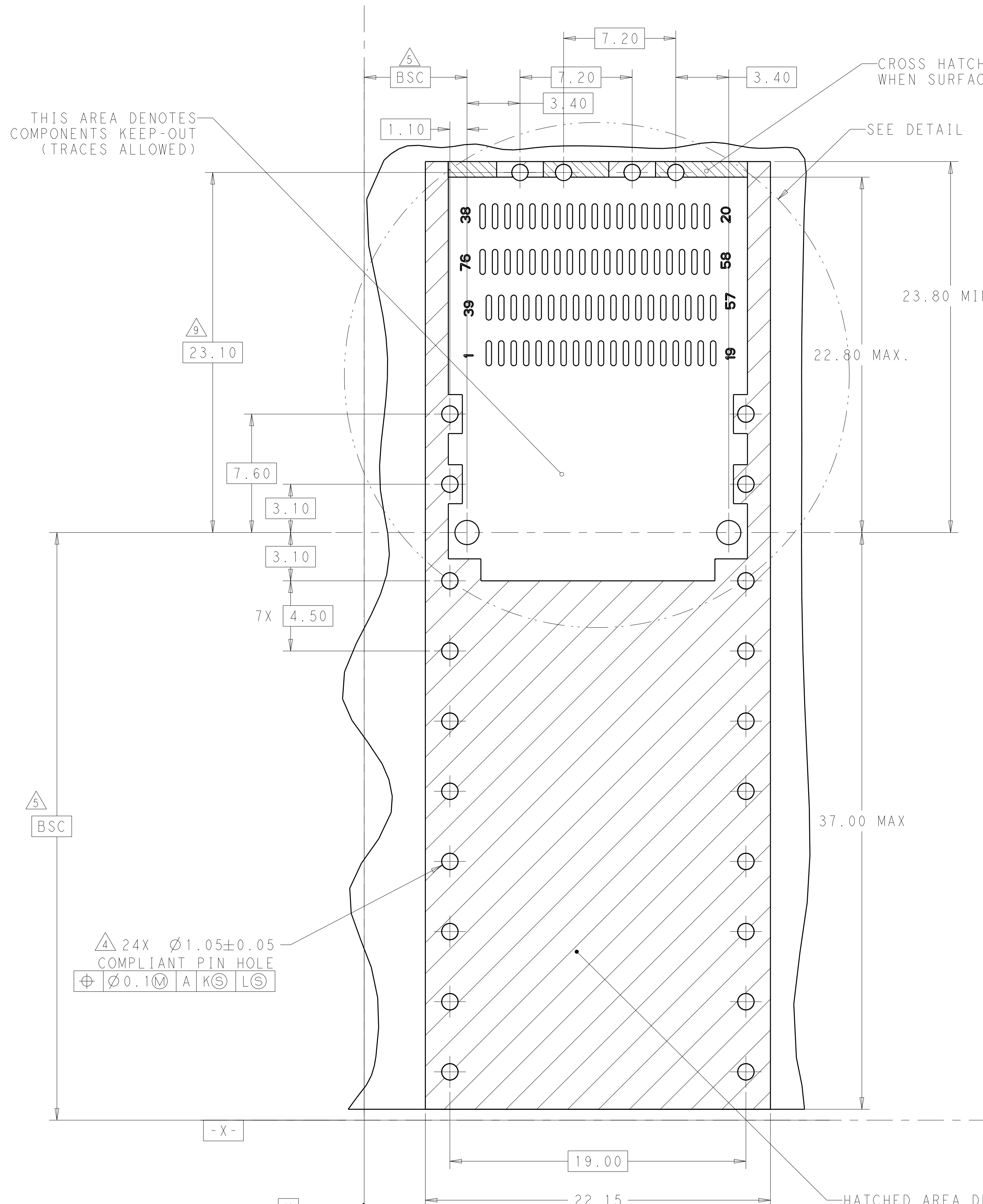
RECOMMENDED PCB LAYOUT  
 SINGLE TYPE OF 2 REAR HOLES OF LEGS  
 PCB TOLERANCE: ±0.05  
 SCALE 6:1

THIS DRAWING IS A CONTROLLED DOCUMENT.		OWN: ARTHUR JIH 29AUG2018	TE Connectivity
DIMENSIONS: mm		CHK: SEAN HAN 29AUG2018	
TOLERANCES UNLESS OTHERWISE SPECIFIED:		APPD: SEAN HAN 29AUG2018	NAME: CAGE ASSEMBLY, QSFP-DD STANDARD WITH EMI SPRING FINGER
0 PLC ±0.25		PRODUCT SPEC: 108-60122	
1 PLC ±0.25		APPLICATION SPEC: 114-60025	SIZE: A1
2 PLC ±0.20		WEIGHT: -	SCALE: 2:1
3 PLC ±0.10		CUSTOMER DRAWING	SHEET 4 OF 5
4 PLC ±0.05			REV A
ANGLES: °			
FINISH: -			

LOC	DIST	REV	DATE	BY	APPV
-	-	1	-	-	-

REVISIONS			
NO.	DESCRIPTION	DATE	BY
1	SEE SHEET 1	-	-



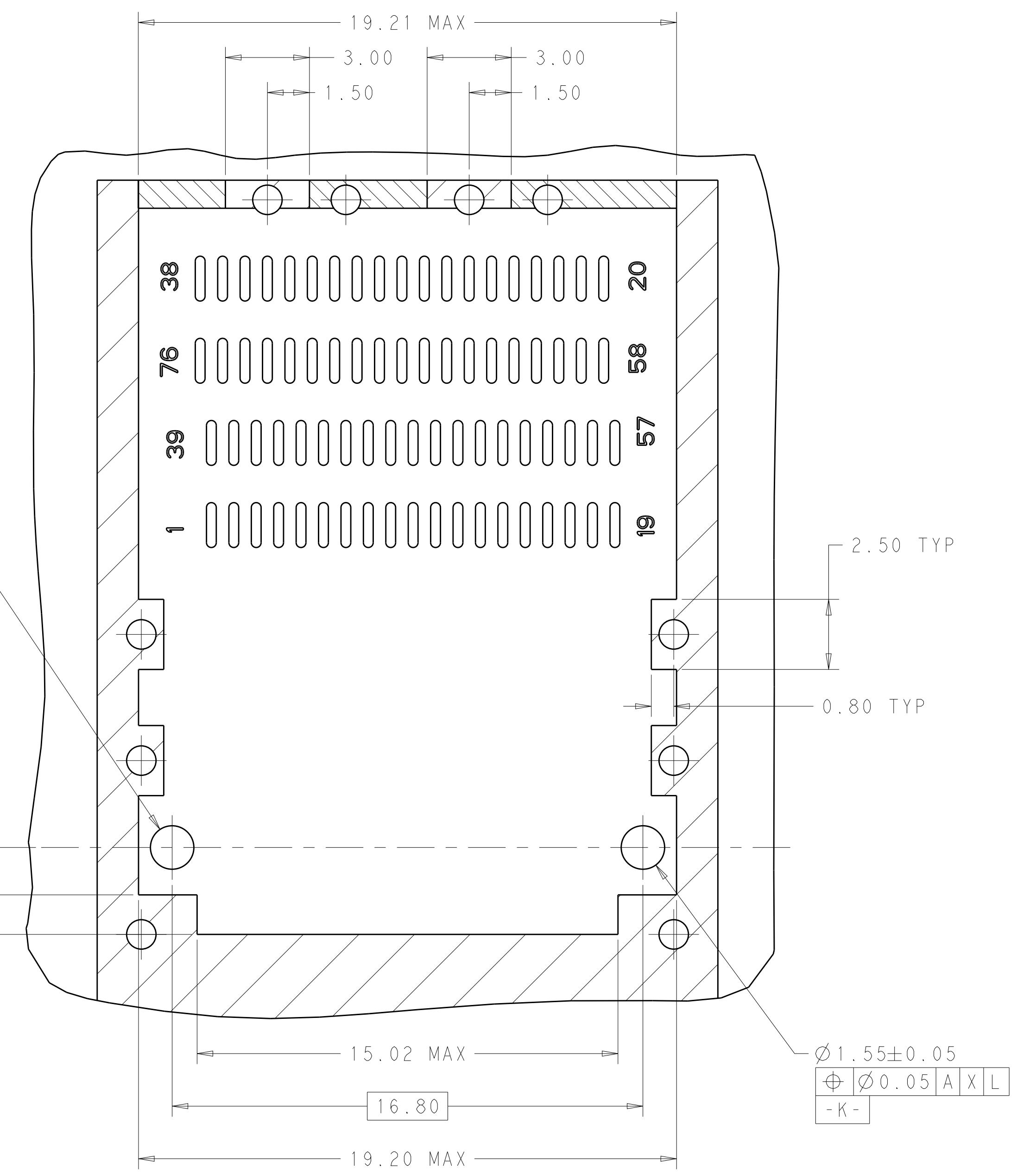
CROSS HATCHED AREA DENOTES WHEN SURFACE TRACES ARE PERMITTED

SEE DETAIL C

THIS AREA DENOTES COMPONENTS KEEP-OUT (TRACES ALLOWED)

37.00 MAX

HATCHED AREA DENOTES COMPONENT AND TRACE KEEP-OUT (EXCEPT CHASSIS GROUND)



DETAIL C  
SCALE 8:1

RECOMMENDED PCB LAYOUT  
BELLY TO BELLY TYPE OF 2 REAR HOLES OF LEGS  
PCB TOLERANCE: ±0.05  
SCALE 6:1

THIS DRAWING IS A CONTROLLED DOCUMENT.		OWN: ARTHUR JLN 29AUG2018	TE Connectivity
DIMENSIONS: mm		CHK: SEAN HAN 29AUG2018	
TOLERANCES UNLESS OTHERWISE SPECIFIED:		APPV: SEAN HAN 29AUG2018	NAME: CAGE ASSEMBLY, QSPF-DD STANDARD WITH EMI SPRING FINGER
0 PLC ±0.25	1 PLC ±0.25	PRODUCT SPEC: 108-60122	SIZE: A1
2 PLC ±0.20	3 PLC ±0.20	APPLICATION SPEC: 114-60025	CAGE CODE: -
4 PLC ±0.10	ANGLES ±°	WEIGHT: -	DRAWING NO: C=2342933
MATERIAL: -	FINISH: -	CUSTOMER DRAWING	RESTRICTED TO: -
SCALE: 2:1			SHEET: 5 OF 5
REV: A			

## X-ON Electronics

Largest Supplier of Electrical and Electronic Components

*Click to view similar products for [I/O Connectors](#) category:*

*Click to view products by [TE Connectivity](#) manufacturer:*

Other Similar products are found below :

[571763P](#) [58098-0628](#) [72.250.1628.2](#) [72.250.2428.2](#) [74720-0505](#) [76.350.0729.0](#) [76871-1403](#) [FCN-244F080-G/1](#) [FCN-260A9920](#) [PCR-E36PM](#) [PCS-XE26MA+](#) [G38A71314B](#) [DX40-50P\(55\)](#) [1571250010](#) [157-22500-3](#) [MS3471L14-19P L/C](#) [91-569786-35H](#) [172501-4002](#) [172501-6002](#) [FCN-260C008-A/L0](#) [FCN-260C024-AL0](#) [FCN-261Z008](#) [2000314-1](#) [200331-1](#) [PCR-E36FC+](#) [PCS-E28FS+](#) [PCS-XE26SLFD+](#) [PCS-XE26SLFDT+](#) [G730VID08BDC24](#) [U90B2054081210](#) [UE86K842720321](#) [38113800006](#) [DP3AR020WQ1R200](#) [Z4.102.0680.0](#) [500-1040](#) [500-1052](#) [500-1054](#) [ZP-4008-66L](#) [0709821002](#) [10-565995-597N](#) [DX40-20P\(55\)](#) [5554841-1](#) [MS3474W18-8P-LC\\*](#) [U90B3054061110](#) [U65-E04-4020](#) [ZPF000000000097891](#) [557-262M2-06C](#) [747360449](#) [10099439-003C-TRLF](#) [10137239-0021LF](#)