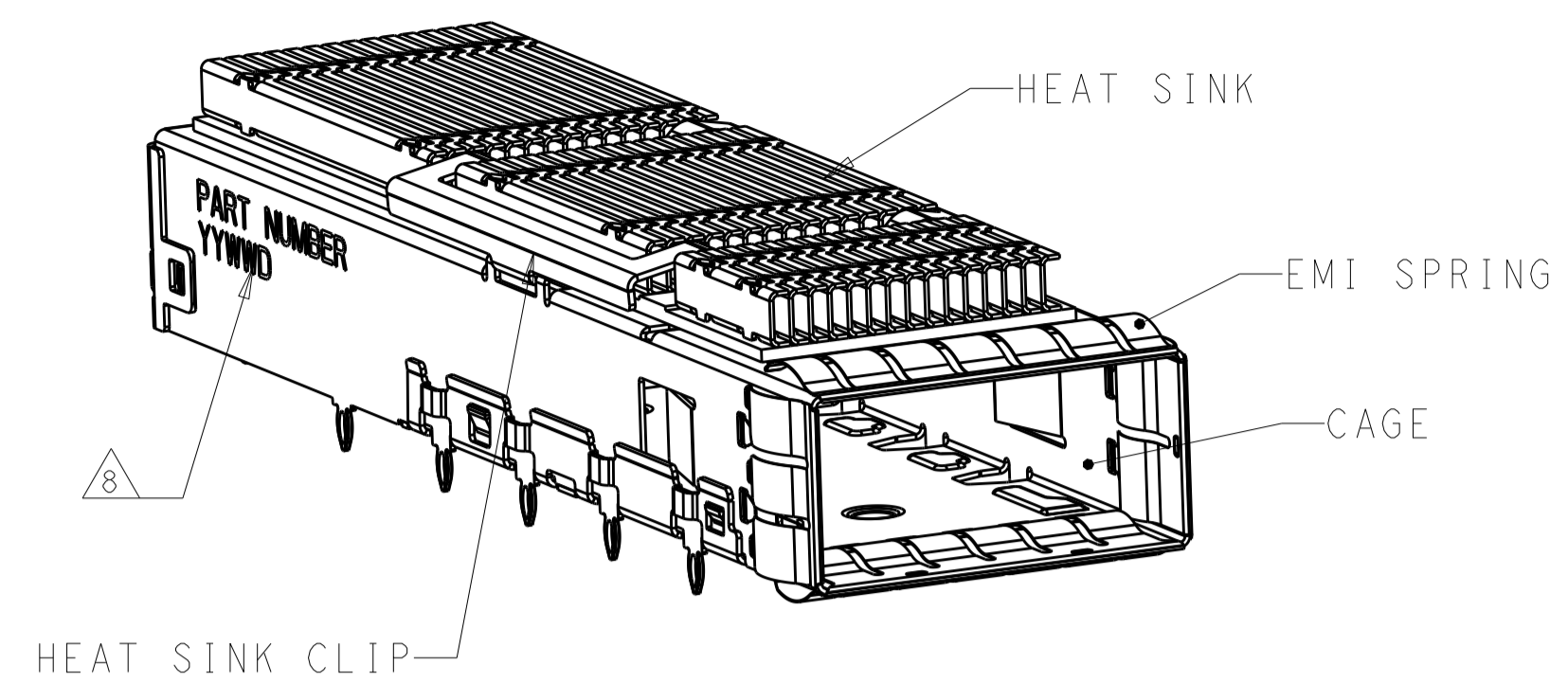
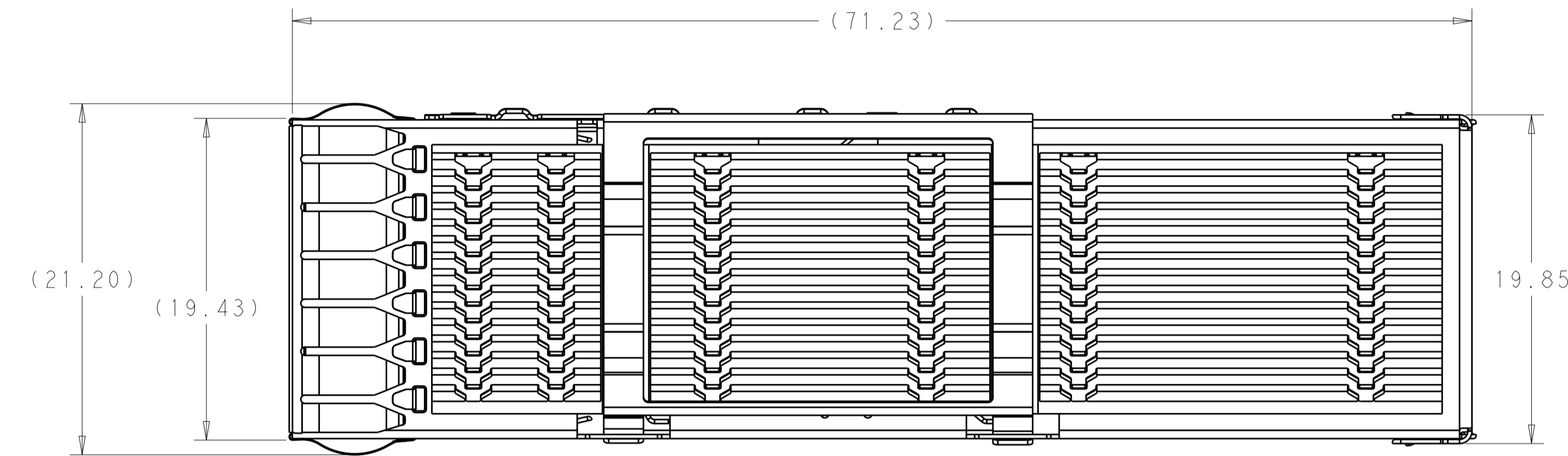


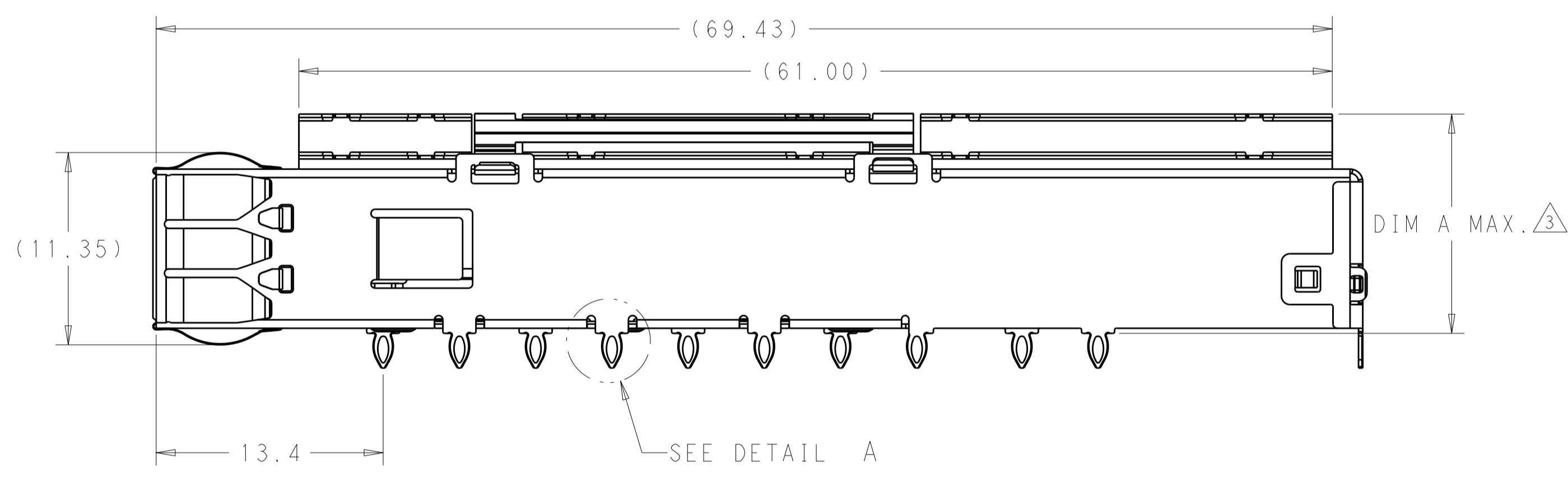
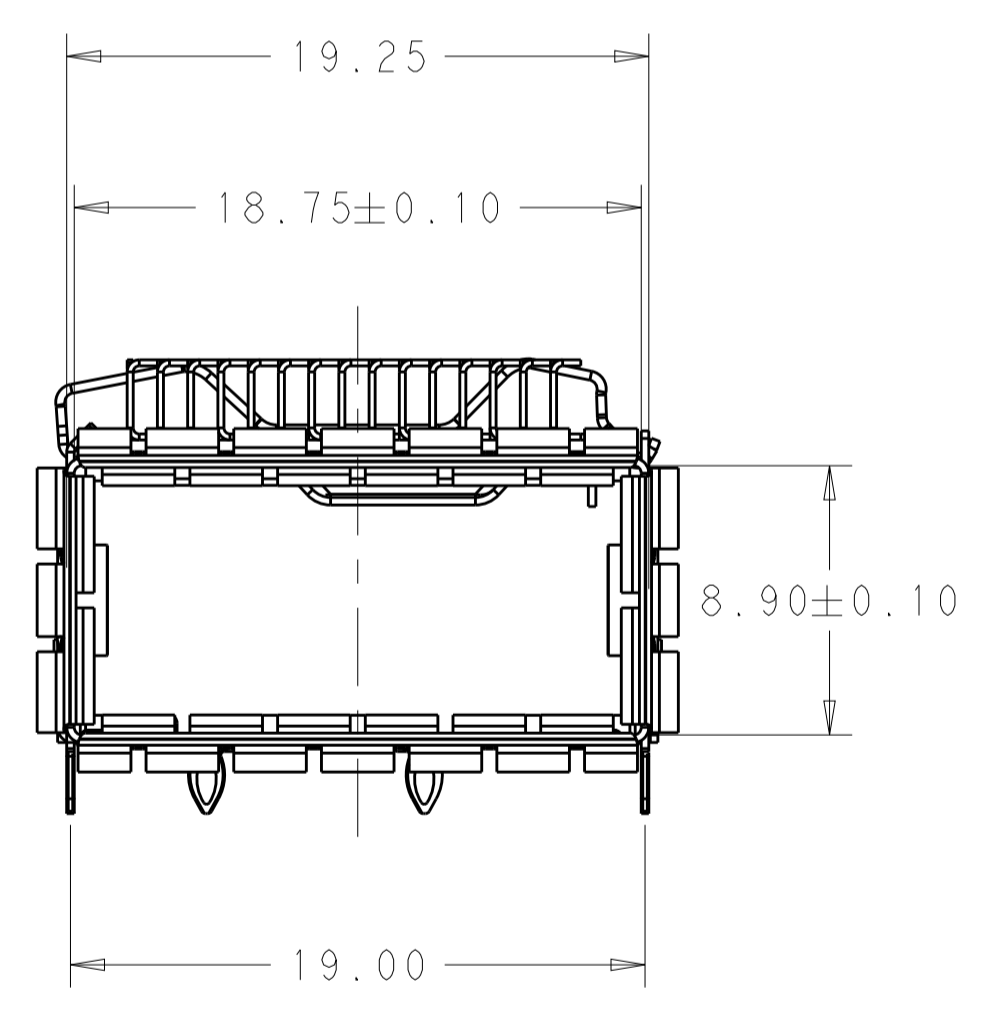
LOC	DIST	REVISIONS					
		P	LTN	DESCRIPTION	DATE	DWN	APVD
		A		INITIAL RELEASE	14JUN2019	AJ	SH
		B		REVISED PER ECO-19-012481	07AUG2019	AJ	SH



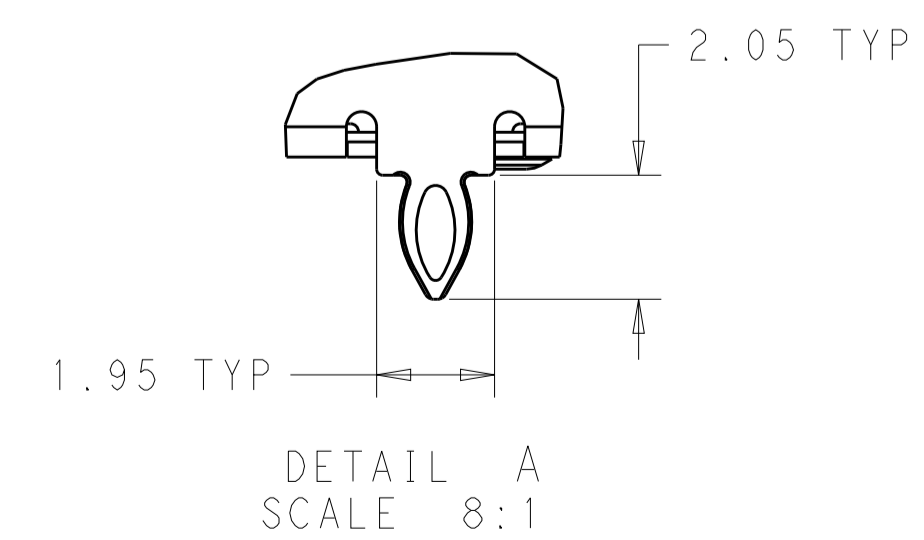
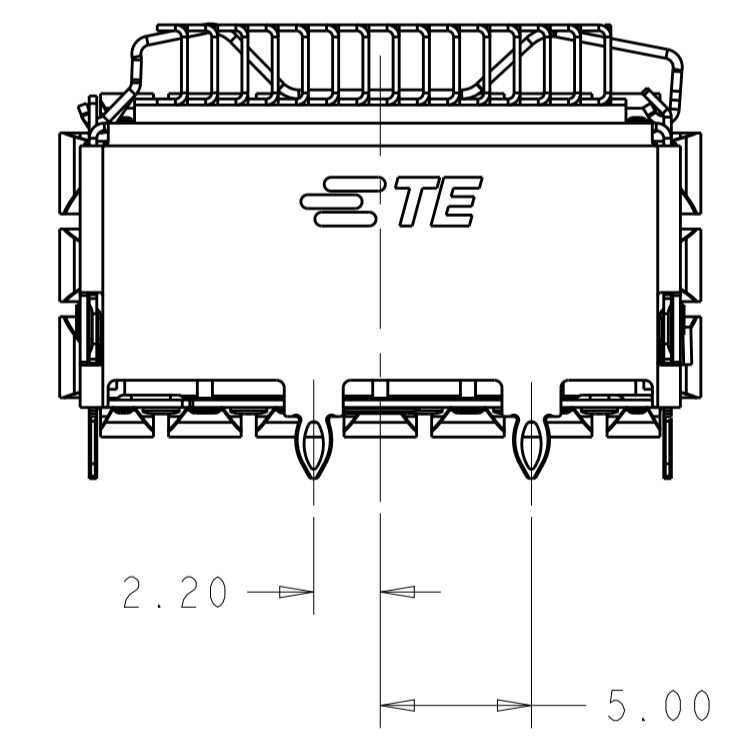
2342934-1 AS SHOWN
SCALE 3:1



- MATERIAL:
CAGE MATERIAL : 0.25 THICK STAINLESS STEEL.
SPRING MATERIAL: COPPER ALLOY
CLIP MATERIAL: STAINLESS STEEL
HEAT SINK: ALUMINUM
- FINISH:
SPRING: NICKEL PLATING
HEAT SINK: NICKEL PLATING
- DIMENSION APPLIES WITH MODULE INSTALLED IN THE CAGE TO TOP OF HEAT SINK.
- REFERENCE APPLICATION SPEC 114-60025 FOR RECOMMENDED DRILL HOLE DIAMETER AND PLATING THICKNESS.
- DATUM AND BASIC DIMENSIONS ESTABLISHED BY CUSTOMERS.
- MINIMUM PC BOARD THICKNESS : SINGLES SIDED: 1.57 MIN
DOUBLE SIDED: 3.00 MIN
- DATUM **-A-** IS TOP SURFACE OF THE HOST BOARD.
- DATE CODE (YYWWD) MARKED APPROXIMATELY AS SHOWN
- MATES WITH QSFP DD MSA COMPATIBLE TRANSCEIVER.



2342934-1 AS SHOWN
SCALE 4:1

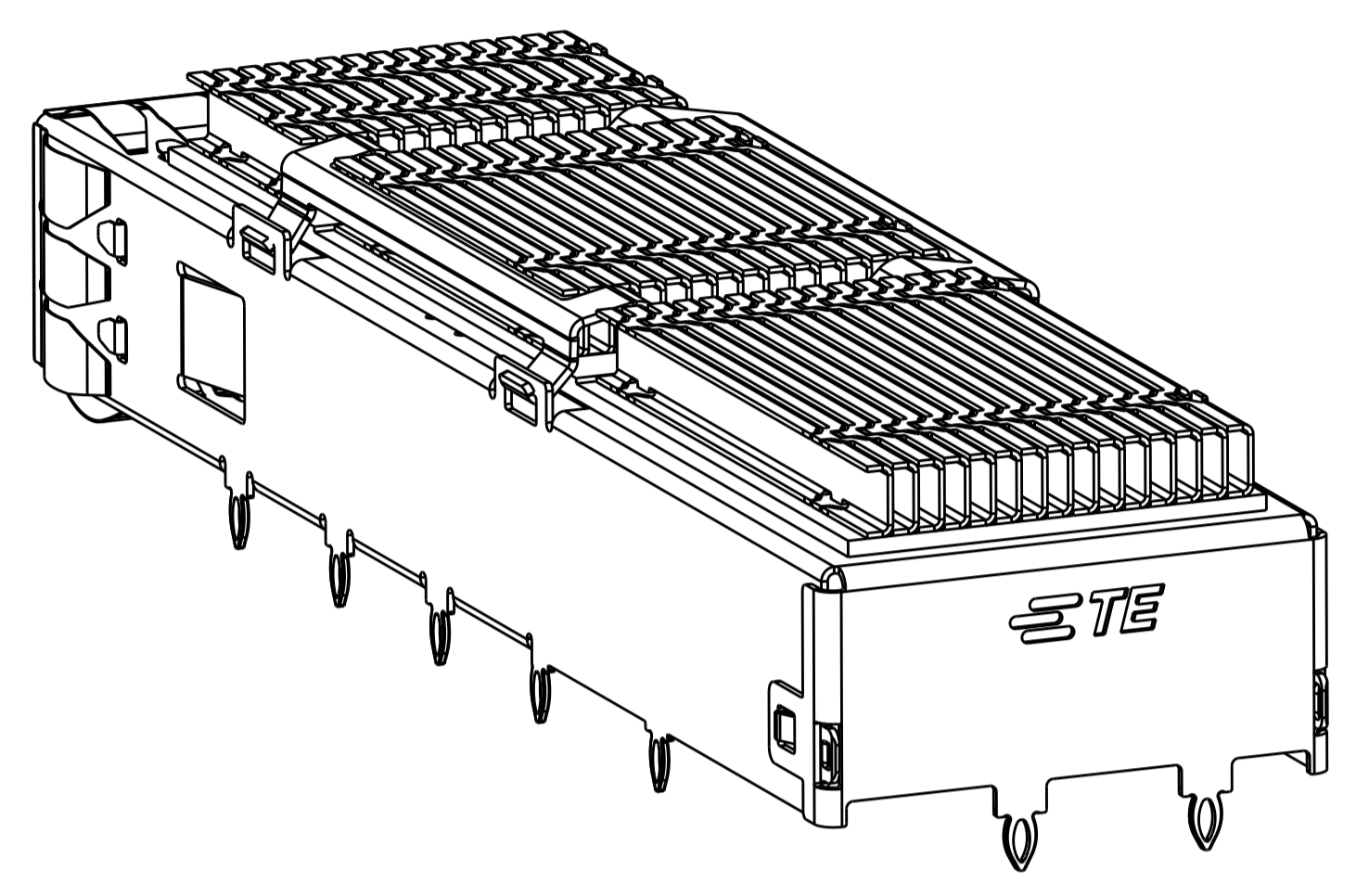


DETAIL A
SCALE 8:1

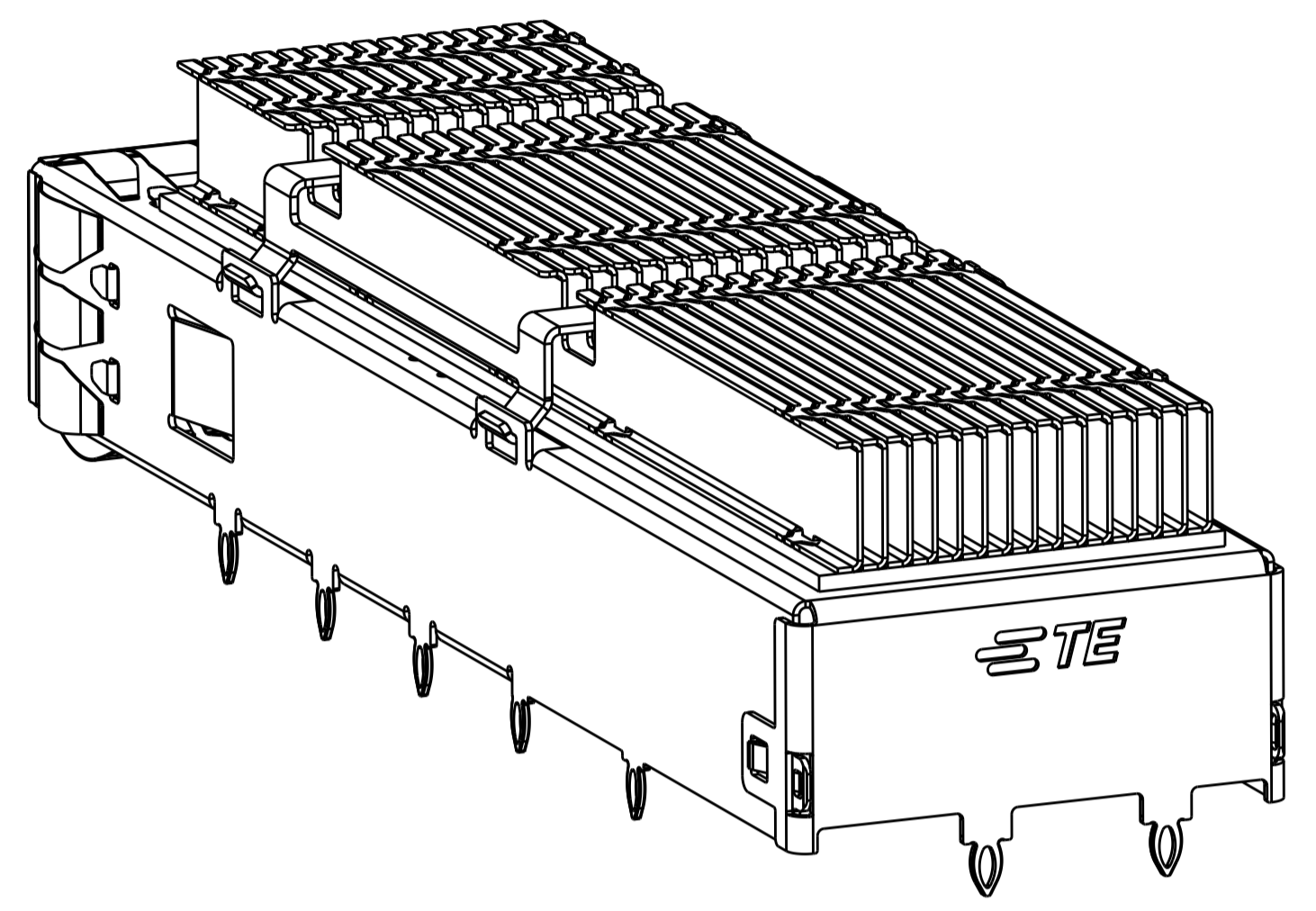
23.00	0	NETWORKING	1-2342934-3
16.00	0	SAN	1-2342934-2
13.70	0	PCI	1-2342934-1
23.00	2	NETWORKING	2342934-3
16.00	2	SAN	2342934-2
13.70	2	PCI	2342934-1
DIM A	# REAR PINS	APPLICATION (HEAT SINK OPTION)	PART NUMBER

THIS DRAWING IS A CONTROLLED DOCUMENT.		DWN: ARTHUR JIN 30AUG2018	TE Connectivity	
DIMENSIONS: mm		CHK: SEAN HAN 29AUG2018		
TOLERANCES UNLESS OTHERWISE SPECIFIED:		APVD: SEAN HAN 30AUG2018	NAME: CAGE ASSEMBLY, QSFP-DD STANDARD WITH EMI SPRING FINGER ZIPPER FIN HEAT SINK	
0 PLC	±0.25	PRODUCT SPEC: 108-60122	SIZE: A1	
1 PLC	±0.25	APPLICATION SPEC: 114-60025	CAGE CODE: C=2342934	
2 PLC	±0.20	FINISH: -	SCALE: 2:1	
3 PLC	±0.10	RESTRICTED TO: -	SHEET 1 OF 5	
4 PLC	±	CUSTOMER DRAWING	REV B	
ANGLES	±			

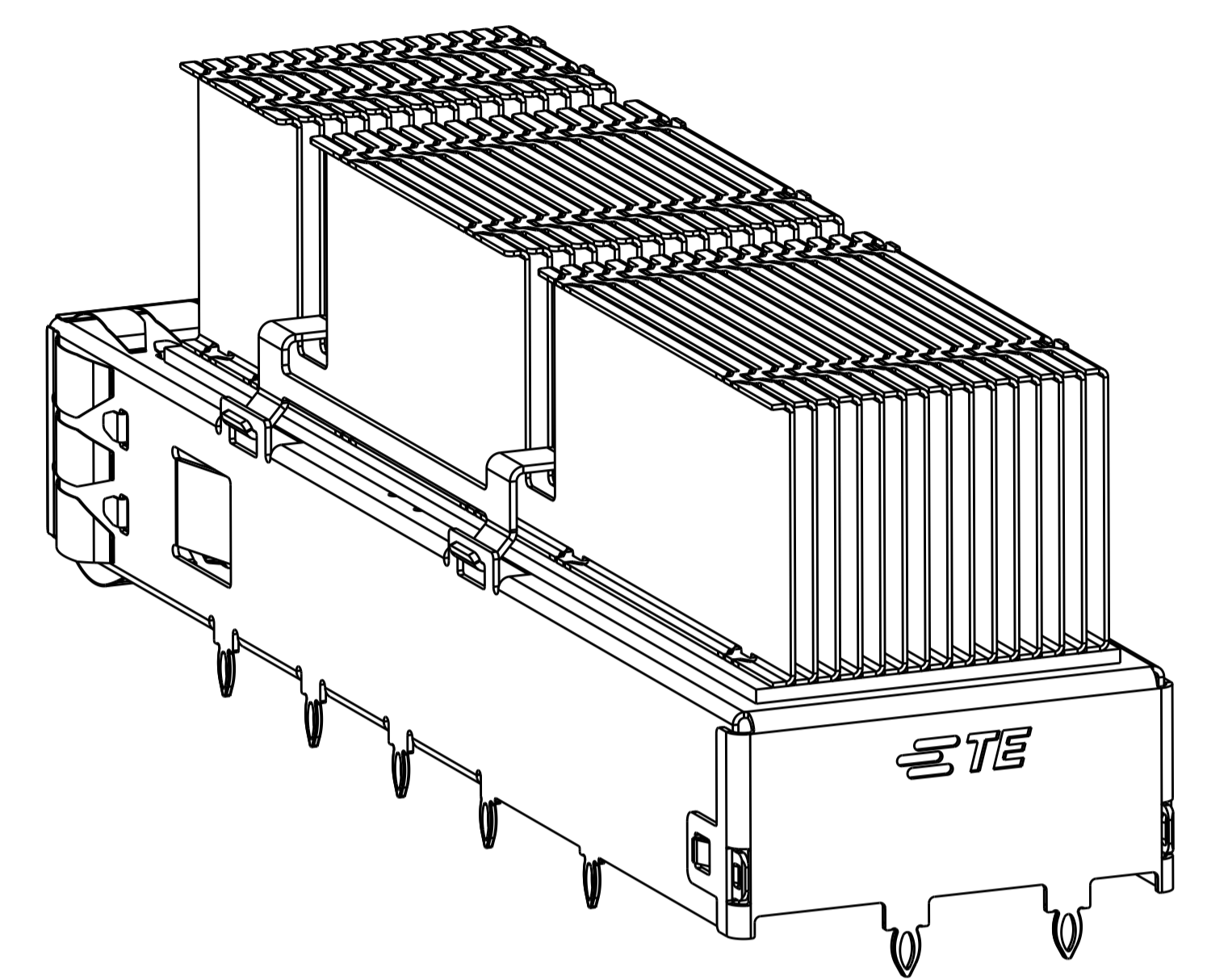
LOC		DIST		REVISIONS			
				REV	DATE	BY	APPD
-	-	-	-	-	-	-	-
-	-	-	-	-	SEE SHEET 1	-	-



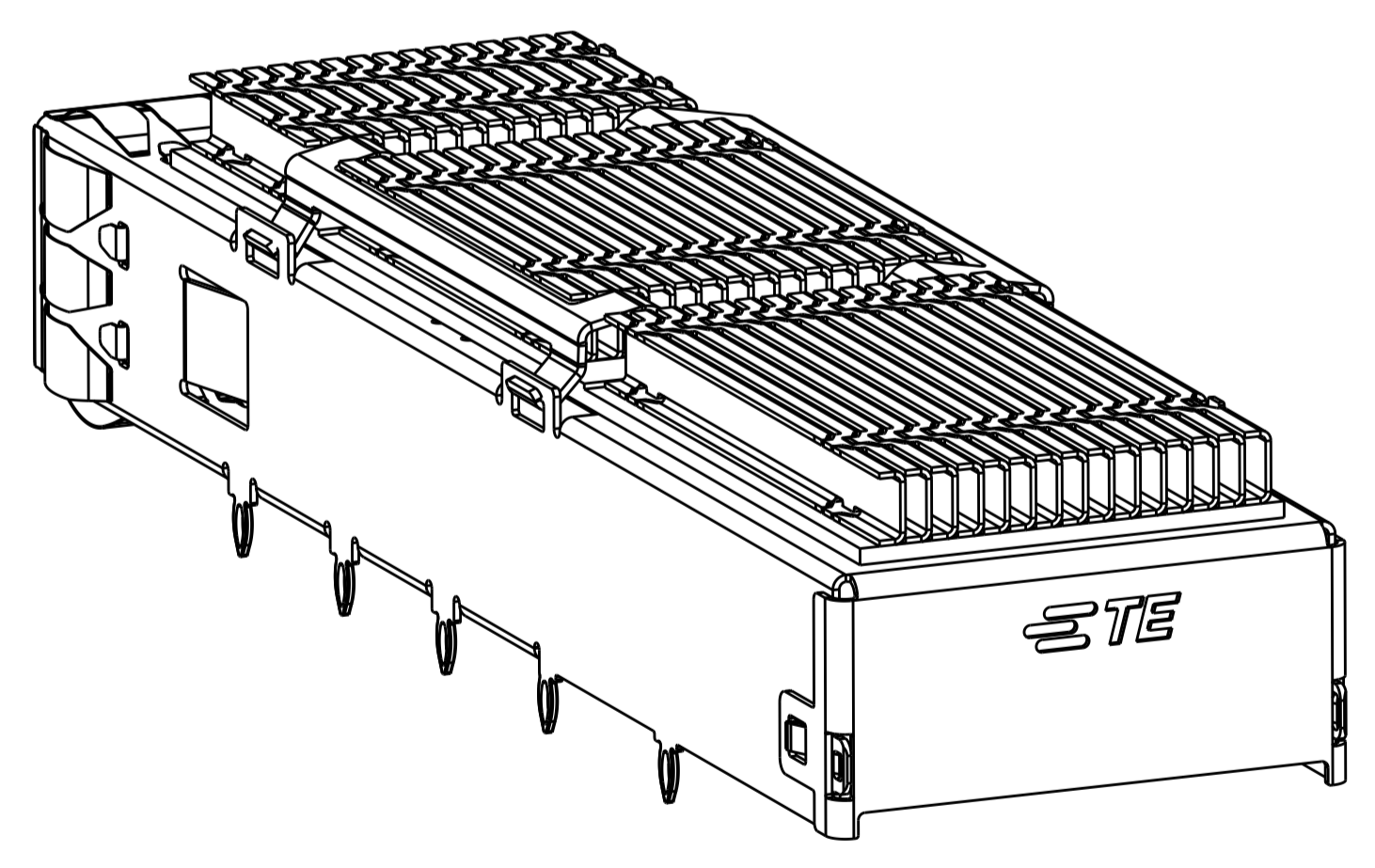
2342934-1 AS SHOWN
 WITH PCI HEAT SINK
 SCALE 4:1



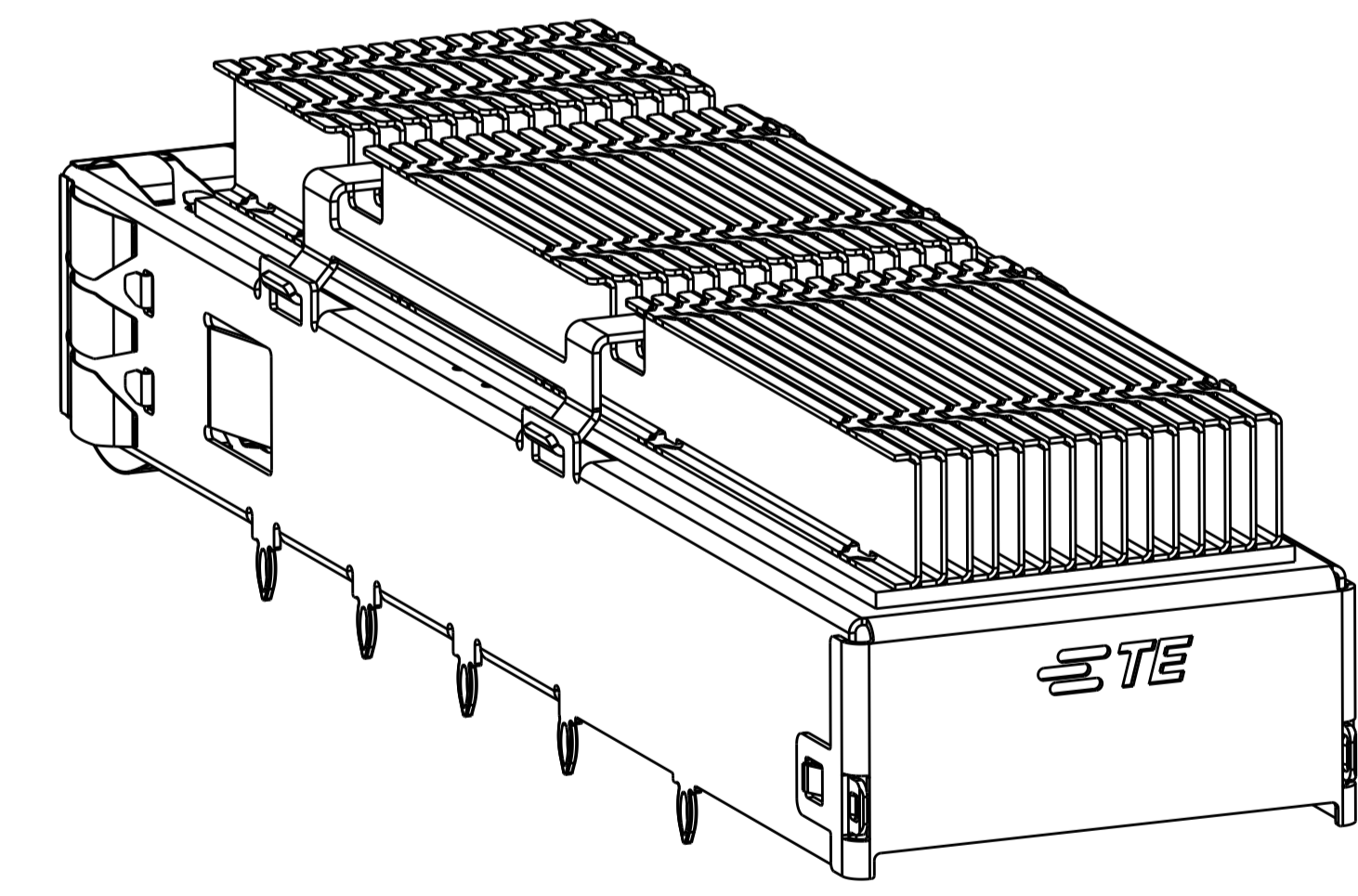
2342934-2 AS SHOWN
 WITH SAN HEAT SINK
 SCALE 4:1



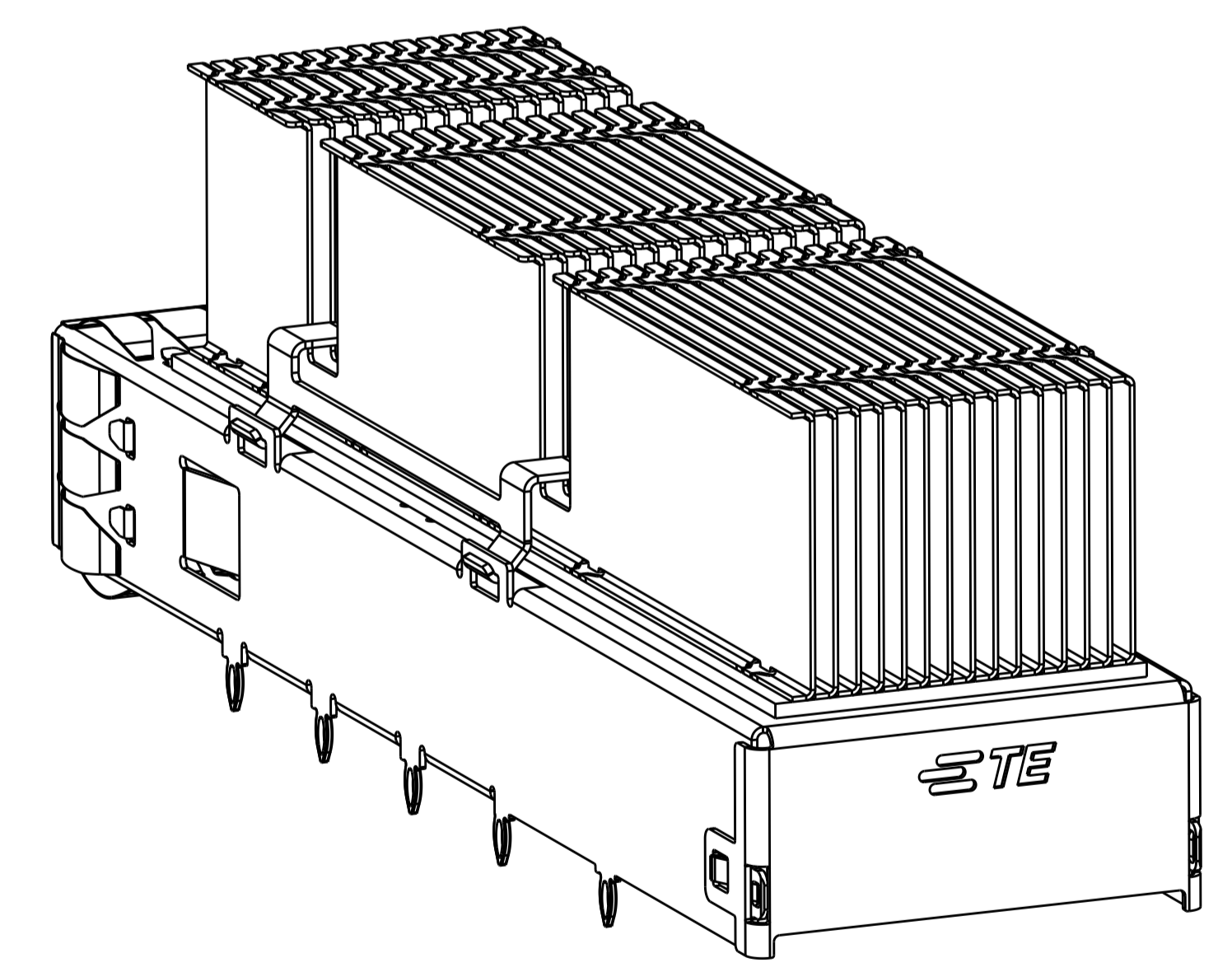
2342934-3 AS SHOWN
 WITH NETWORKING HEAT SINK
 SCALE 4:1



1-2342934-1 AS SHOWN
 SAME AS -1 EXCEPT W/O REAR PINS
 SCALE 4:1



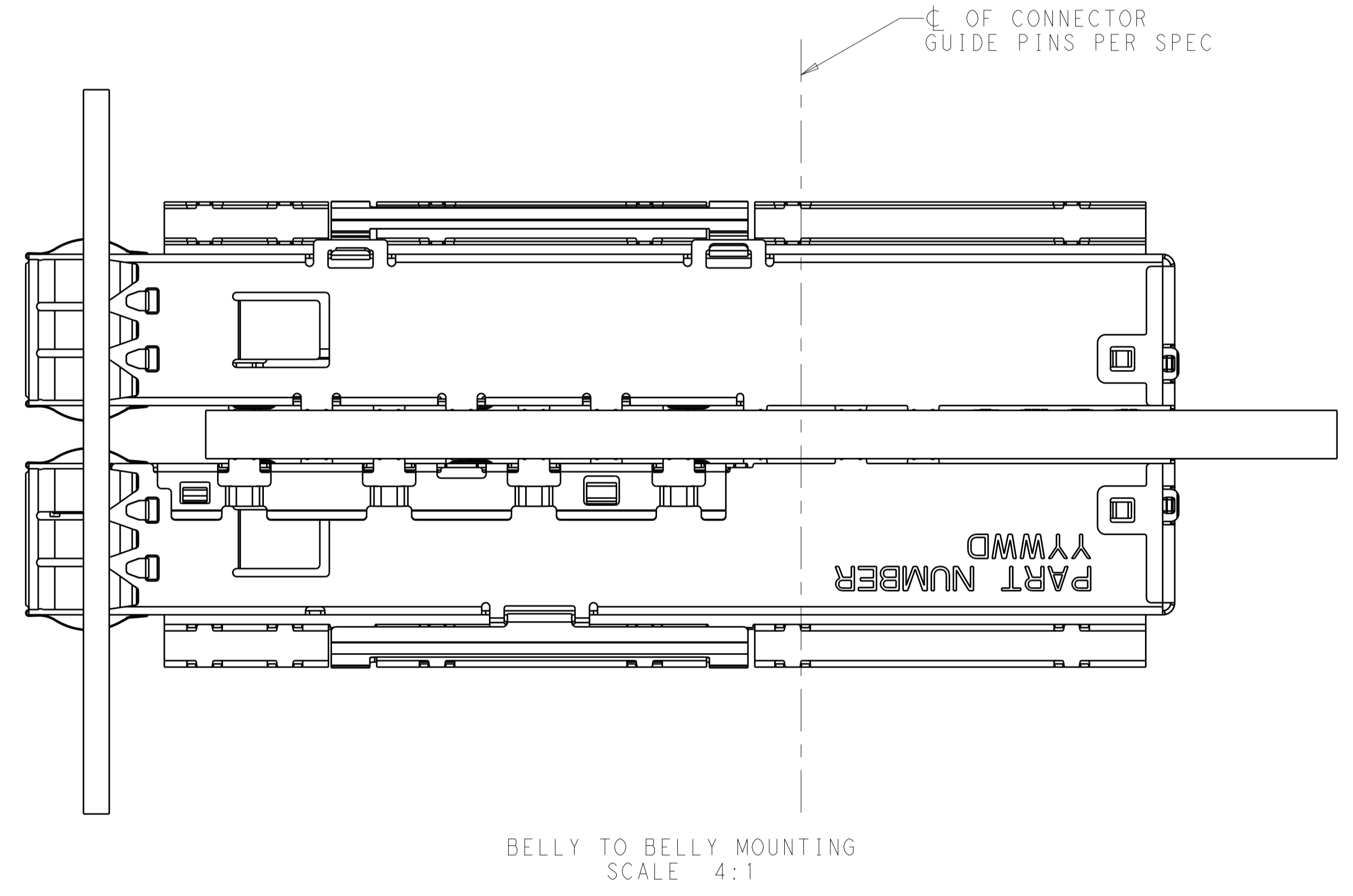
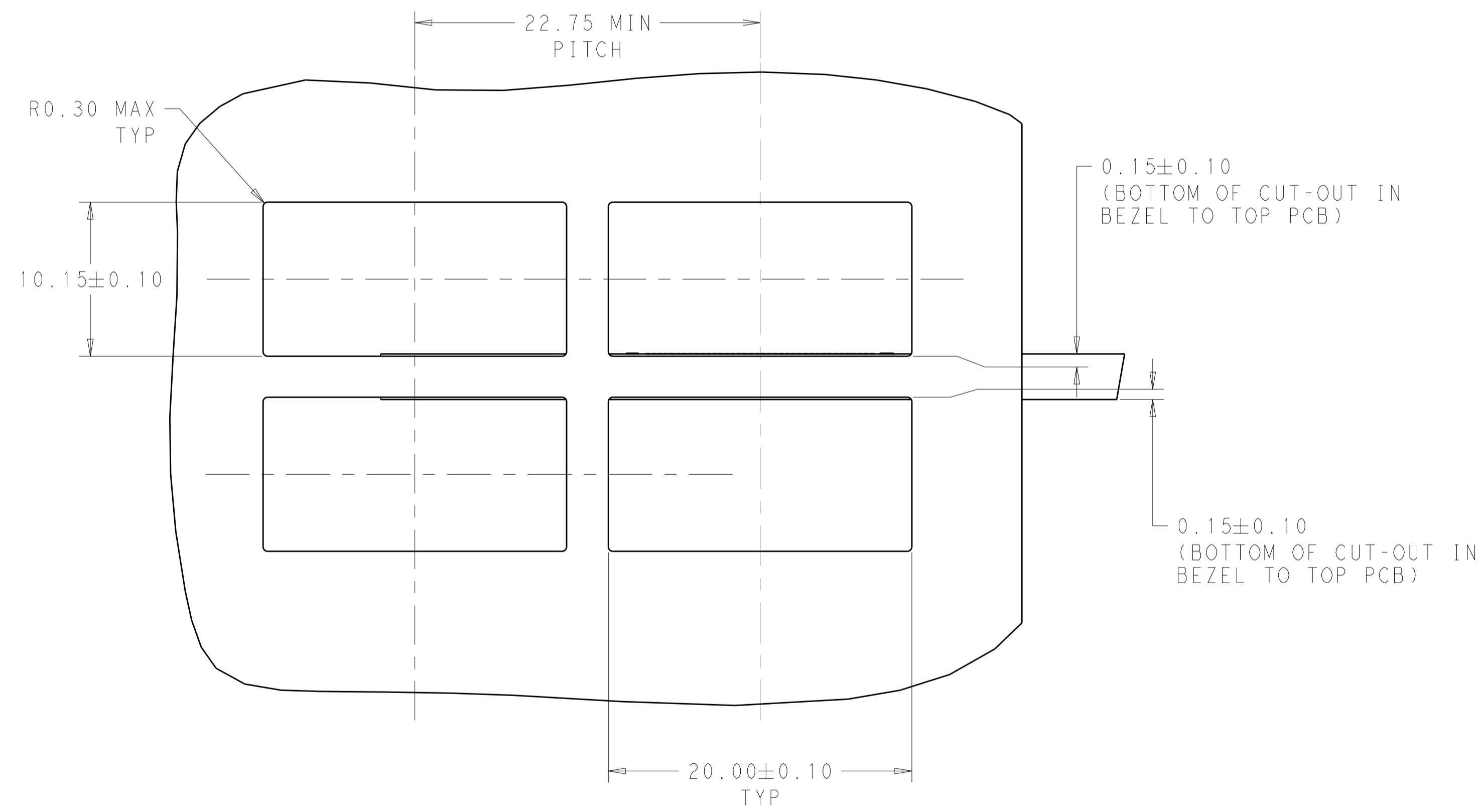
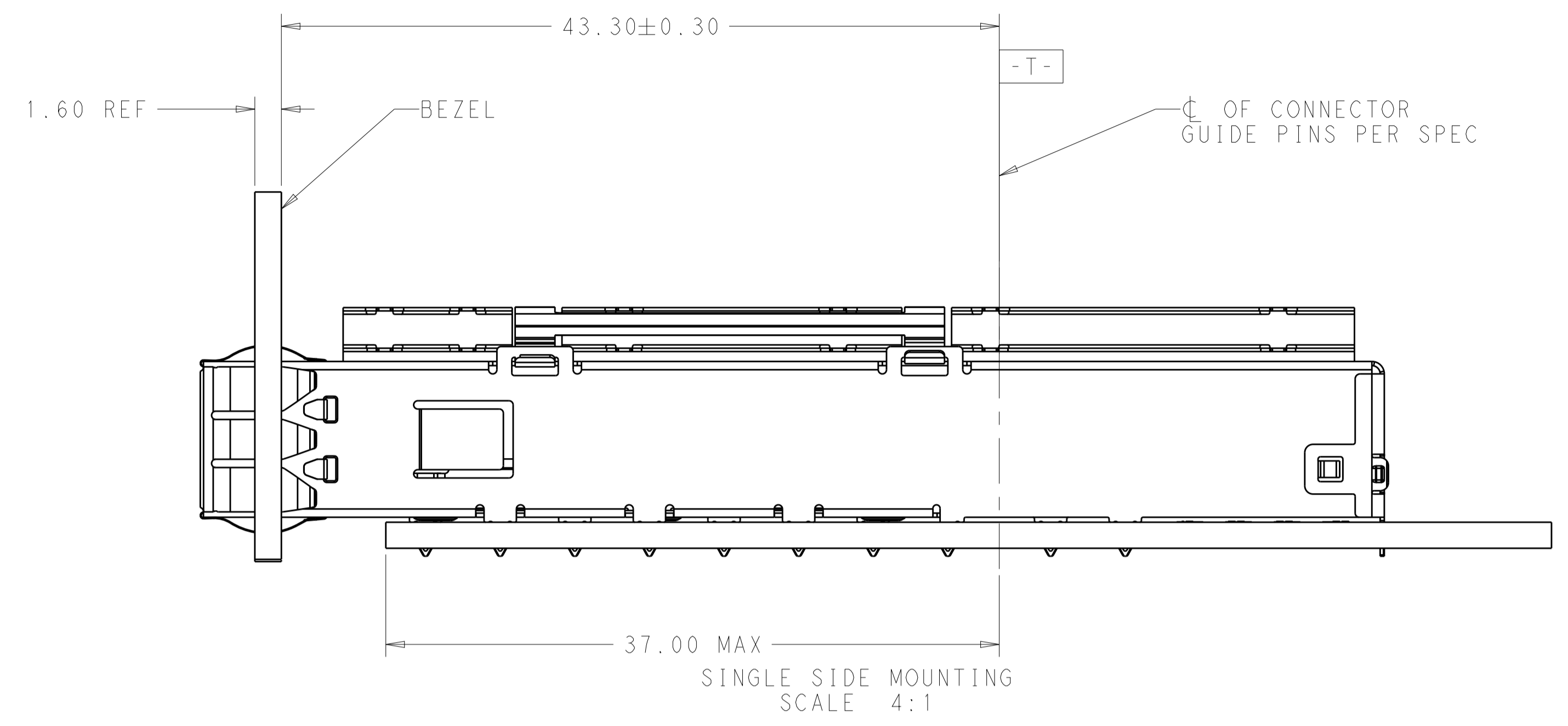
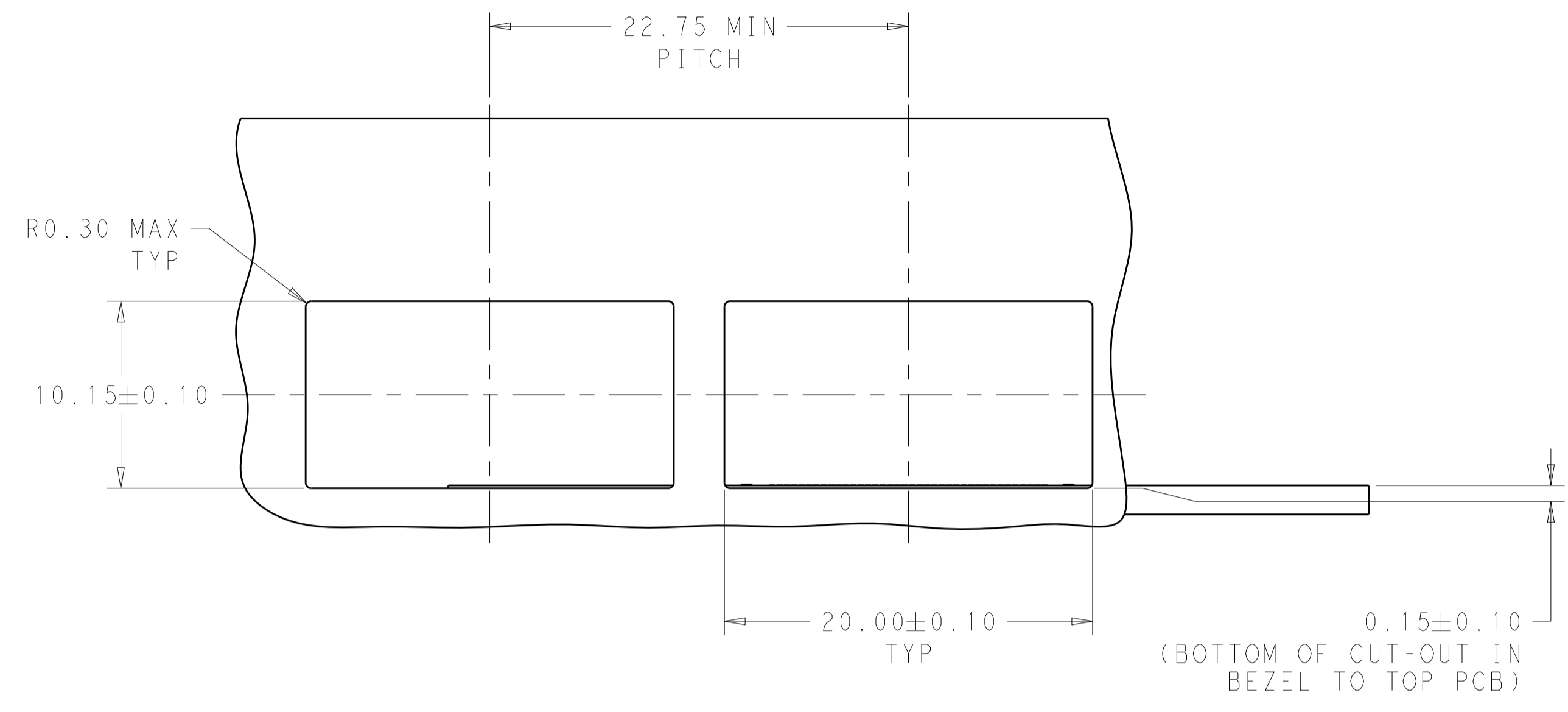
1-2342934-2 AS SHOWN
 SAME AS -2 EXCEPT W/O REAR PINS
 SCALE 4:1



1-2342934-3 AS SHOWN
 SAME AS -3 EXCEPT W/O REAR PINS
 SCALE 4:1

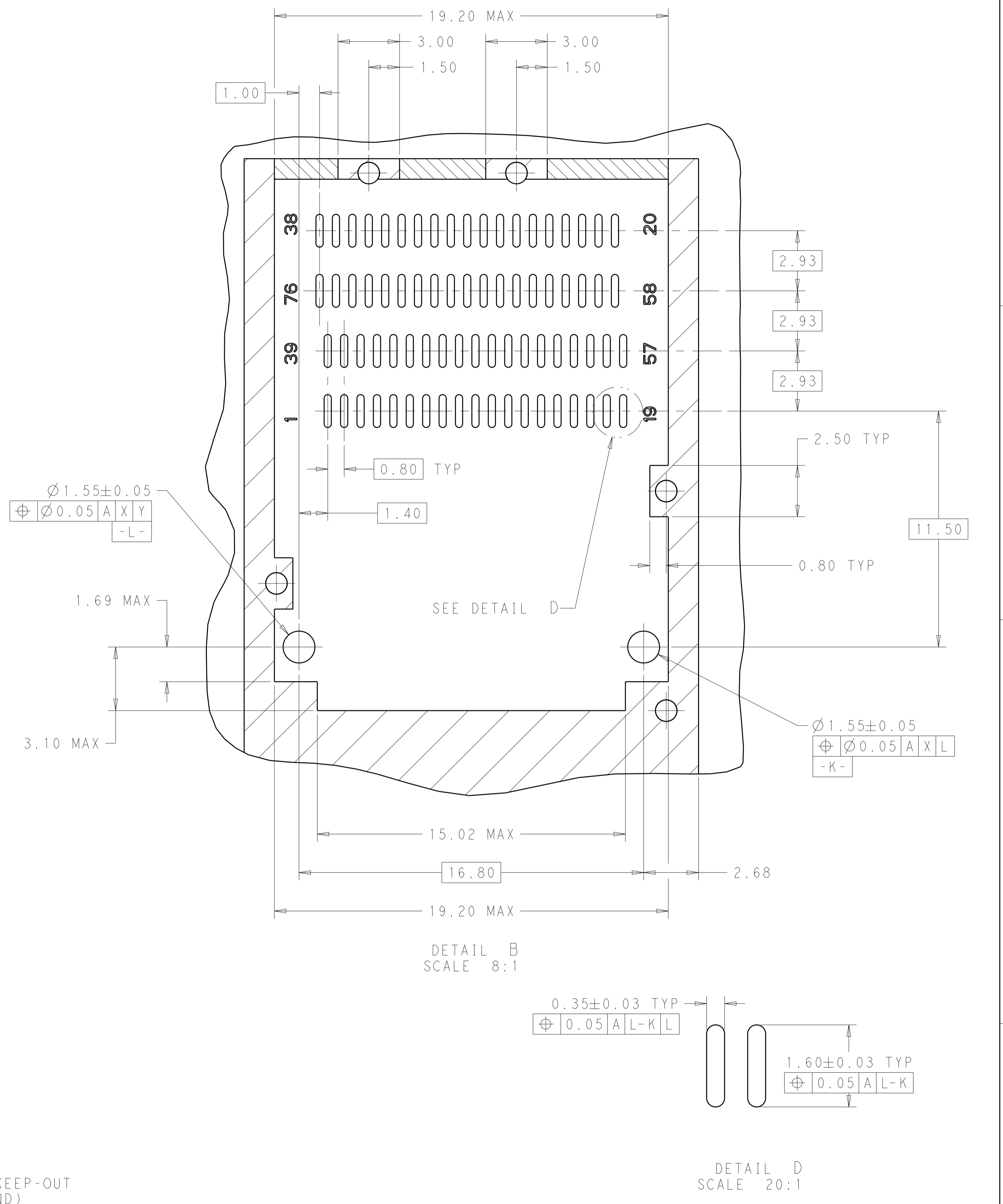
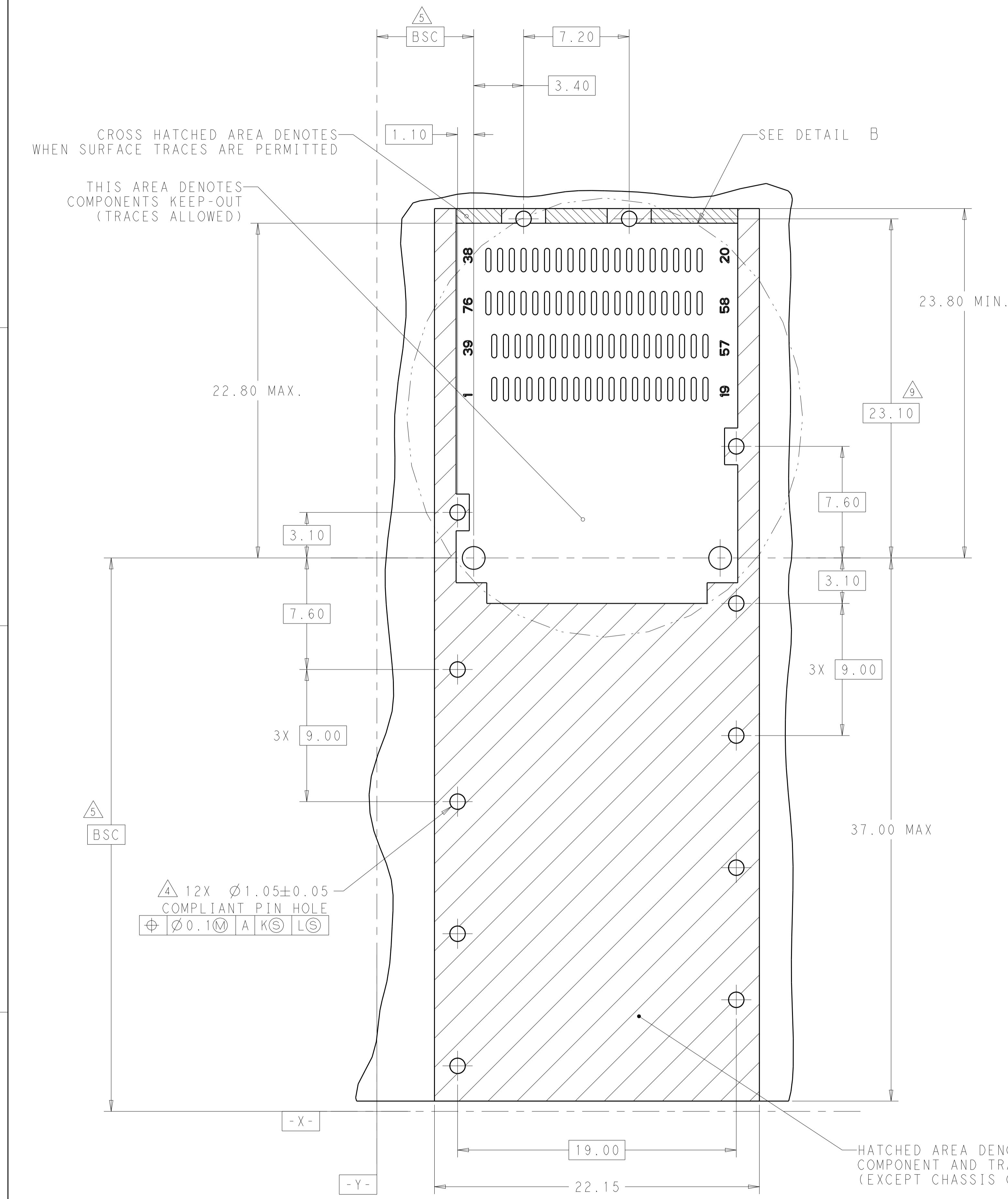
THIS DRAWING IS A CONTROLLED DOCUMENT.		OWN	30AUG2018	TE Connectivity NAME CAGE ASSEMBLY, QSFP-DD STANDARD WITH EMI SPRING FINGER ZIPPER FIN HEAT SINK
DIMENSIONS:		CHK	29AUG2018	
mm		APVD	30AUG2018	
0 PLC ±0.25 1 PLC ±0.25 2 PLC ±0.25 3 PLC ±0.25 4 PLC ±0.10 ANGLES ±° FINISH		PRODUCT SPEC 108-60122 APPLICATION SPEC 114-60025 WEIGHT CUSTOMER DRAWING	SIZE A1 SCALE 2:1	
MATERIAL		RESTRICTED TO		SHEET 2 OF 5 REV B

LOC		DIST		REVISIONS			
				DESCRIPTION	DATE	DMN	APVD
-	-	-	-	SEE SHEET 1	-	-	-



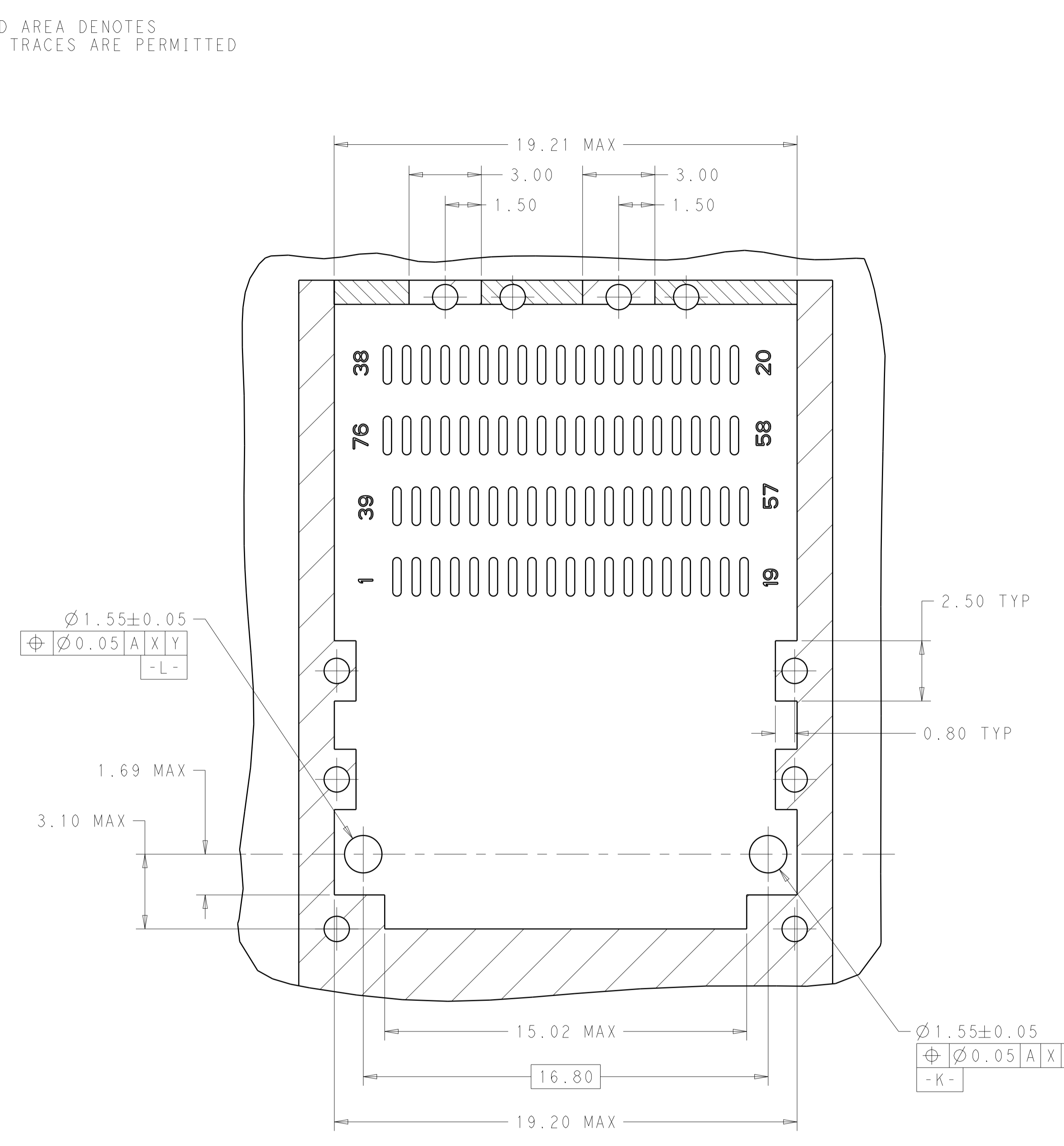
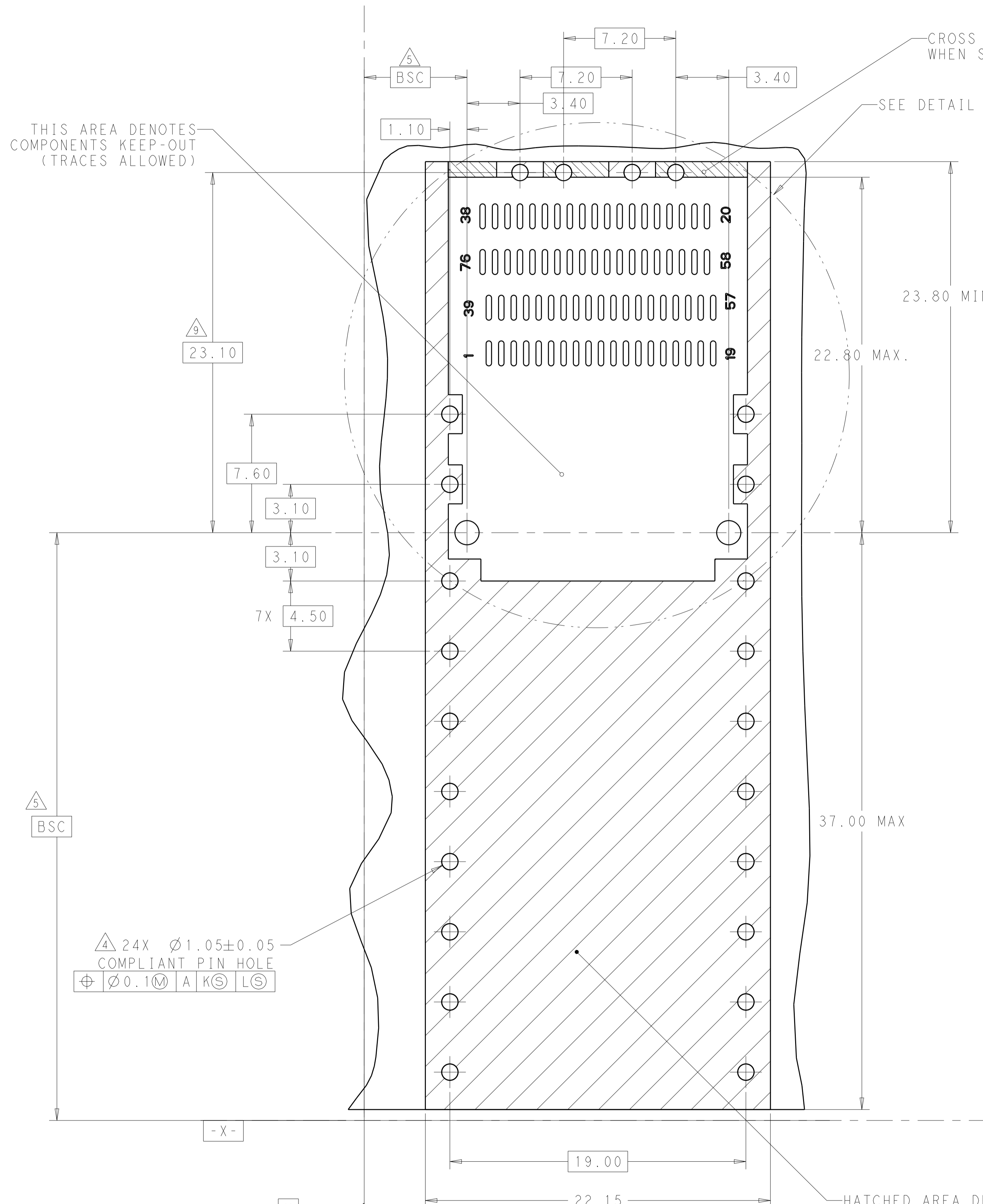
THIS DRAWING IS A CONTROLLED DOCUMENT.		DMN: ARTHUR JLN 30AUG2018	TE Connectivity
DIMENSIONS: mm		CHK: SEAN HAN 29AUG2018	
TOLERANCES UNLESS OTHERWISE SPECIFIED:		APVD: SEAN HAN 30AUG2018	NAME: CAGE ASSEMBLY, QSPF-DD STANDARD WITH EMI SPRING FINGER ZIPPER FIN HEAT SINK PRODUCT SPEC: 108-60122 APPLICATION SPEC: 114-60025
0 PLC ±0.25		RESTRICTED TO:	
1 PLC ±0.25		A1	
2 PLC ±0.20		SCALE: 2:1	
3 PLC ±0.10		SHEET 3 OF 5	REV B
4 PLC ±		CUSTOMER DRAWING	
ANGLES			
FINISH			

LOC	DIST	REV	DATE	BY	APPD
-	-	1	30AUG2018	SEAN HAN	
REVISIONS					
DESCRIPTION			DATE	BY	APPD
SEE SHEET 1			-	-	-



THIS DRAWING IS A CONTROLLED DOCUMENT.		DWN: ARTHUR JIH 30AUG2018	TE Connectivity
DIMENSIONS: mm		CHK: SEAN HAN 29AUG2018	
TOLERANCES UNLESS OTHERWISE SPECIFIED:		APPD: SEAN HAN 30AUG2018	NAME: CAGE ASSEMBLY, QSFP-DD STANDARD WITH EMI SPRING FINGER ZIPPER FIN HEAT SINK
0 PLC ±0.25		PRODUCT SPEC: 108-60122	
1 PLC ±0.25		APPLICATION SPEC: 114-60025	SIZE: A1 CAGE CODE: 2342934 SCALE: 2:1 SHEET 4 OF 5 REV B
2 PLC ±0.20		WEIGHT: -	
3 PLC ±0.10		CUSTOMER DRAWING	
4 PLC ±0.05			
ANGLES: °			
FINISH: -			

LOC		DIST		REVISIONS			
				DESCRIPTION	DATE	OWN	APVD
-	-	-	-	SEE SHEET 1	-	-	-



DETAIL C
SCALE 8:1

RECOMMENDED PCB LAYOUT
BELLY TO BELLY TYPE OF 2 REAR HOLES OF LEGS
PCB TOLERANCE: ±0.05
SCALE 6:1

THIS DRAWING IS A CONTROLLED DOCUMENT.		OWN: ARTHUR JIH 30AUG2018	TE Connectivity
DIMENSIONS: mm		CHK: SEAN HAN 29AUG2018	
TOLERANCES UNLESS OTHERWISE SPECIFIED:		APP'D: SEAN HAN 30AUG2018	NAME: CAGE ASSEMBLY, QSPF-DD STANDARD WITH EMI SPRING FINGER ZIPPER FIN HEAT SINK
0 PLC ±0.25	1 PLC ±0.25	PRODUCT SPEC: 108-60122	SIZE: A1
2 PLC ±0.25	3 PLC ±0.25	APPLICATION SPEC: 114-60025	CAGE CODE: 2342934
4 PLC ±0.10	5 PLC ±0.10	WEIGHT: -	RESTRICTED TO: -
ANGLES ±°	FINISH: -	CUSTOMER DRAWING	SCALE: 2:1 SHEET 5 OF 5 REV B

X-ON Electronics

Largest Supplier of Electrical and Electronic Components

Click to view similar products for [I/O Connectors](#) category:

Click to view products by [TE Connectivity](#) manufacturer:

Other Similar products are found below :

[571763P](#) [72.250.1628.2](#) [72.250.2428.2](#) [74720-0505](#) [76.350.0729.0](#) [76871-1403](#) [FCN-244F080-G/1](#) [FCN-260A9920](#) [MP-5T180MUNNA-005](#)
[PCR-E36PM](#) [PCS-XE26MA+](#) [G38A71314B](#) [1571250010](#) [157-22500-3](#) [MS3471L14-19P L/C](#) [91-569786-35H](#) [172501-4002](#) [172501-6002](#)
[FCN-260C008-A/L0](#) [FCN-260C024-AL0](#) [FCN-261Z008](#) [2000314-1](#) [200331-1](#) [PCR-E36FC+](#) [PCS-E28FS+](#) [PCS-XE26SLFD+](#) [PCS-](#)
[XE26SLFDT+](#) [G730VID08BDC24](#) [HDMR-29-01-S-SM-TR](#) [U90B2054081210](#) [UE86K842720321](#) [38113800006](#) [DP3AR020WQ1R200](#)
[Z4.102.0680.0](#) [500-1040](#) [500-1052](#) [500-1054](#) [ZP-4008-66L](#) [0709821002](#) [10-565995-597N](#) [5554841-1](#) [U90B3054061110](#) [U65-E04-4020](#)
[ZPF00000000097891](#) [557-262M2-06C](#) [747360449](#) [10099439-003C-TRLF](#) [10137239-0021LF](#) [E9320-001-01](#) [10137239-0011LF](#)