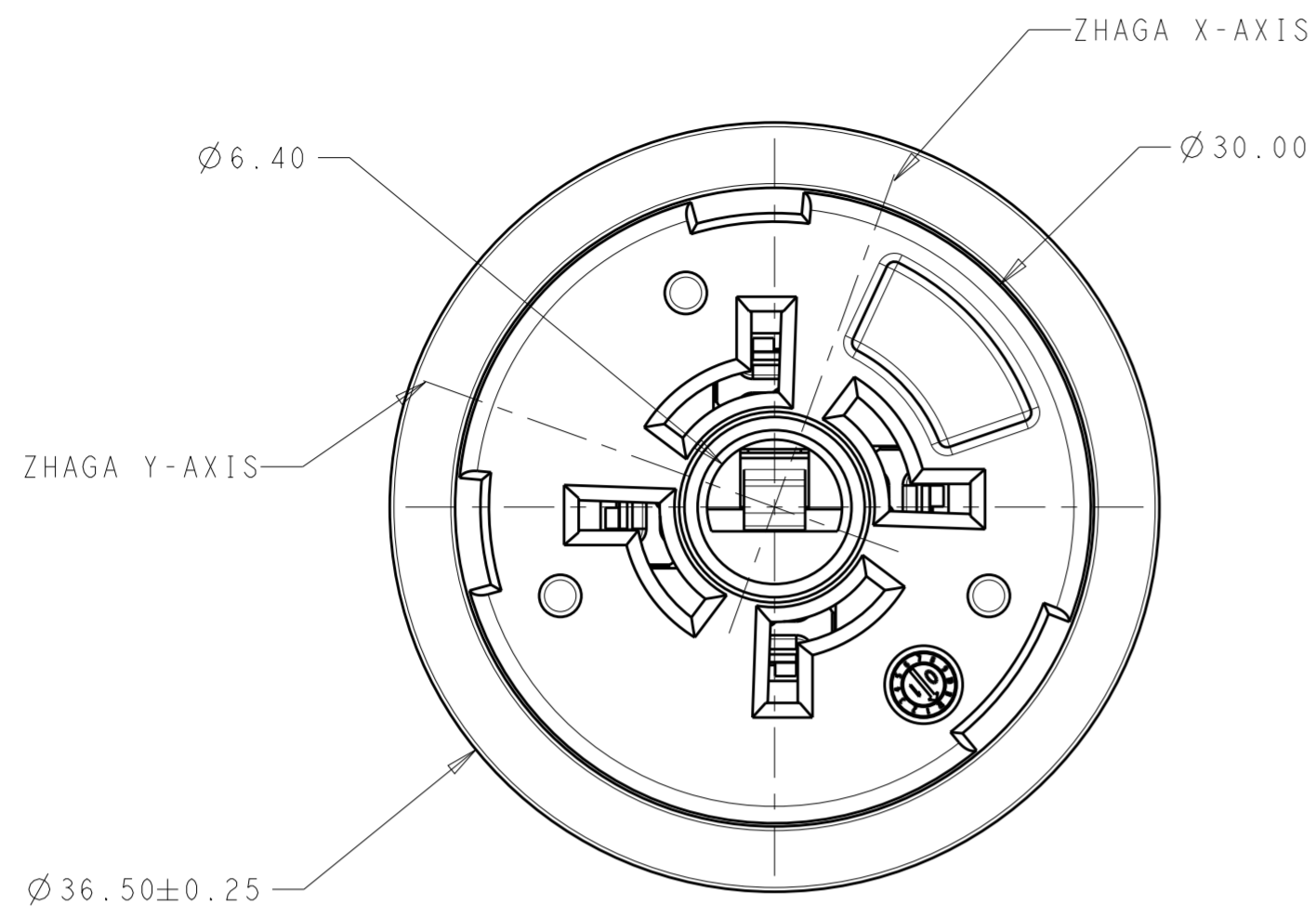


THIS DRAWING IS UNPUBLISHED. RELEASED FOR PUBLICATION 20
 © COPYRIGHT 20 BY - ALL RIGHTS RESERVED.

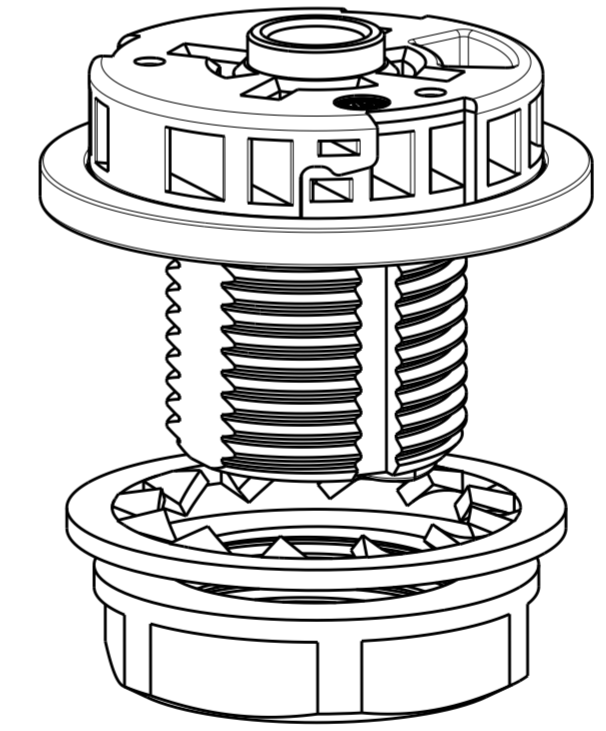
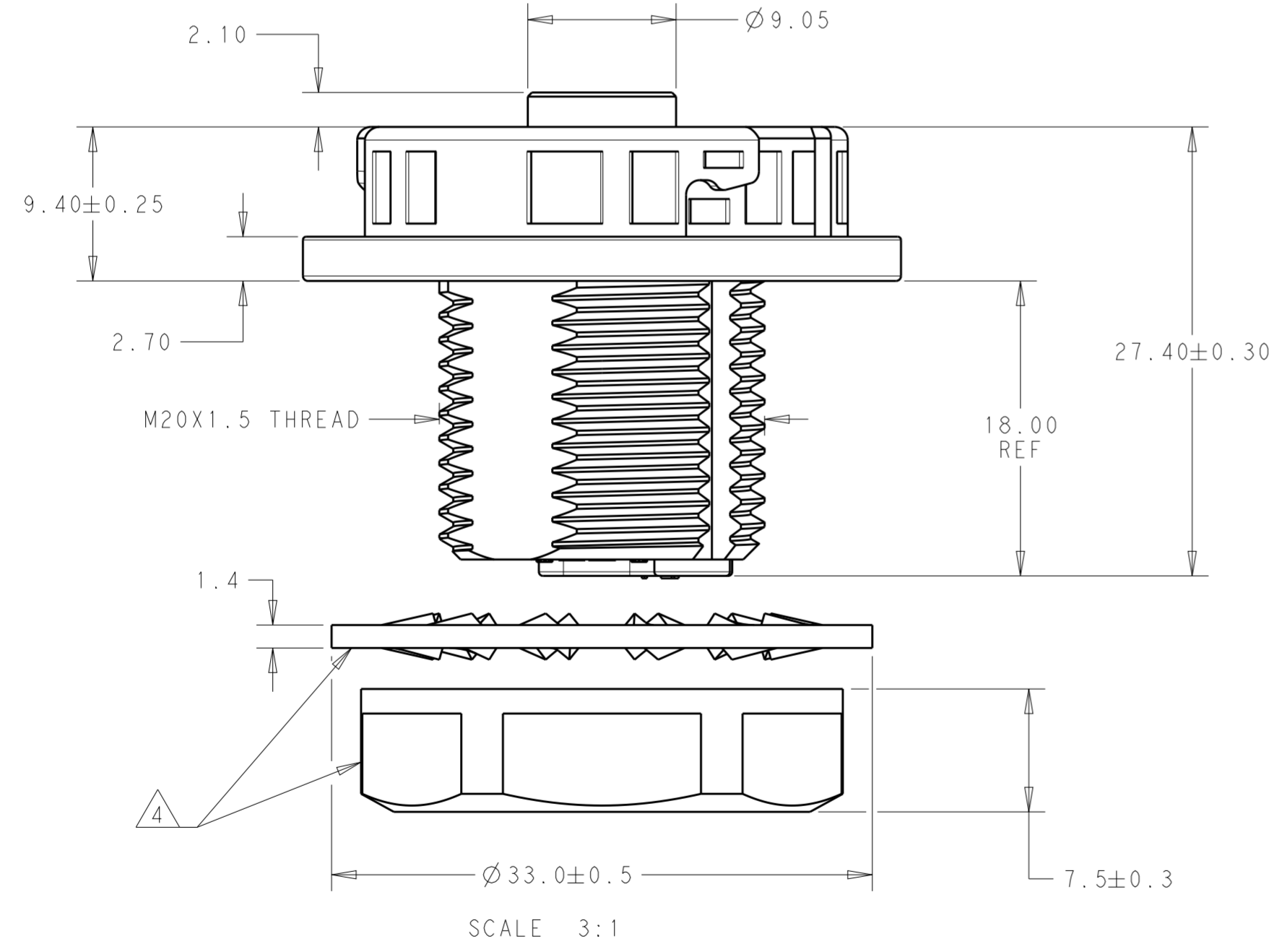
REVISIONS				
P	LTR	DESCRIPTION	DATE	APVD
A2		REVISED PER ECR-20-013028	14SEP2020	MM DD



NOTES:

- 1 MATERIALS AND FINISH:
 - RECEPTACLE HOUSING: PBT, COLOR: BLACK
 - NUT: NYLON, COLOR: BLACK
 - CONTACTS: COPPER ALLOY, FINISH: Sn OVER Ni
 - SEAL: SILICON, COLOR: BLACK
 - STAR WASHER: STAINLESS STEEL
2. MUST COMPLY WITH DIRECTIVE 2002/95/EC (ROHS)
3. WIRE SIZE: 0.5-1.5mm² (20-16AWG); MAX INSULATION OD: $\varnothing 3.0$
STRIP LENGTH: 11.0 \pm 1.0
- 4 LOCK WASHER (REF P/N: 2213817-1) AND NUT (REF P/N: 2213791-1) NOT ASSEMBLED, SHIPPED BULK PACKED.
- 5 PART NUMBER 1-2343403-1 ONLY CONTAINS COLOR CODED DOTS FOR CIRCUIT IDENTIFICATION.
6. MATES TO MODULE ASSEMBLIES 1-2343404-1, 2-2343404-1, 2343405-1 AND SEALING CAP 2341474-X.
7. RECOMMENDED PIN OUT FOR 0-10V DIMMING CONTROL APPLICATION

PIN	0-10V CONTROL
1	DC+
2	0-10V DIM-DC-
3	0-10V DIM+
4	OPTIONAL



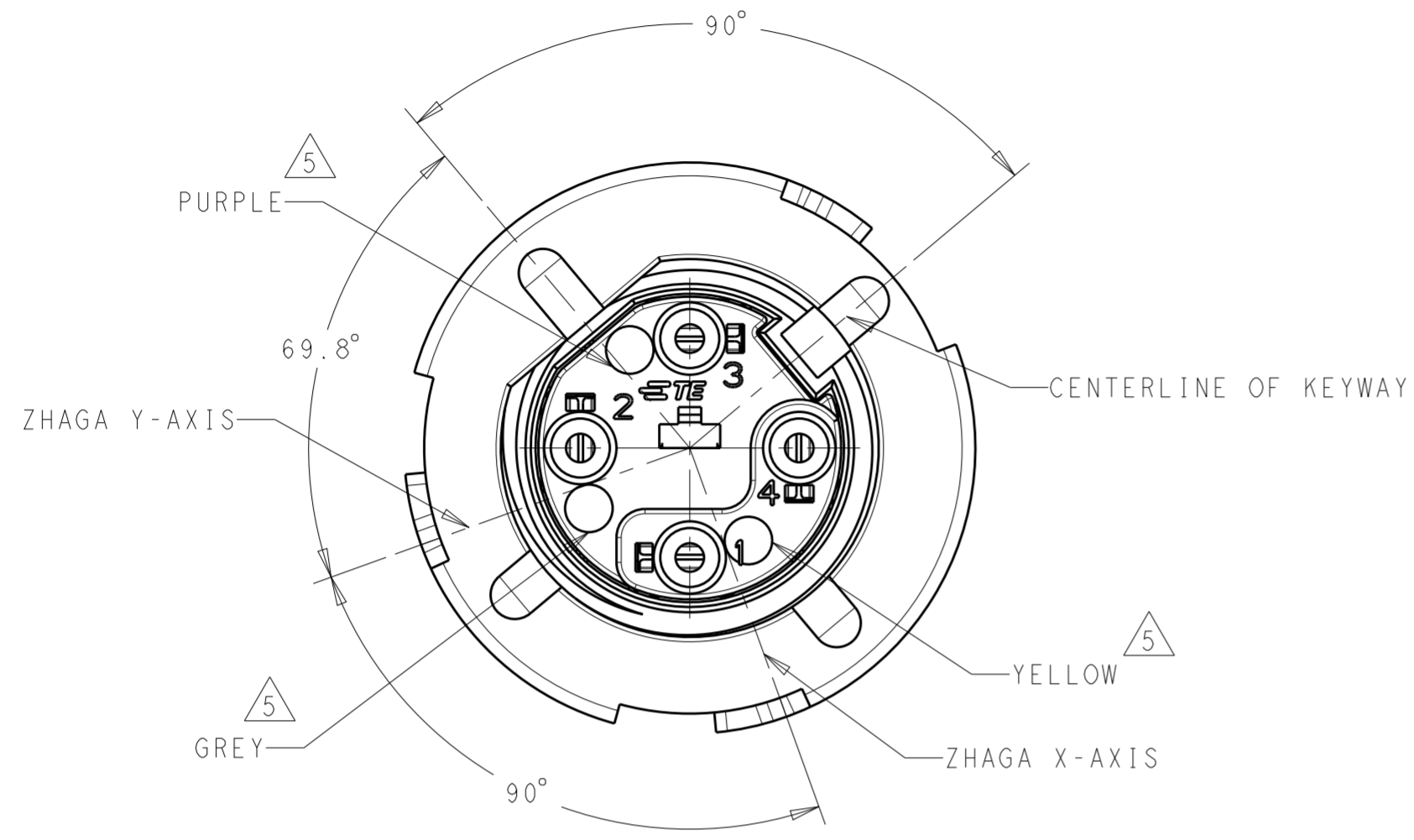
RECEPTACLE ASSY, KEY A	1-2343403-1
RECEPTACLE ASSY, KEY A	2343403-1
DESCRIPTION	PART NO.

SEE SHEET 2 FOR BOTTOM VIEW DETAIL

THIS DRAWING IS A CONTROLLED DOCUMENT.		DWN C. DAILY 03OCT2018	TE Connectivity	
		CHK E. HOWARD 03OCT2018		
DIMENSIONS: mm		APVD -		NAME RECEPTACLE ASSEMBLY, LUMAWISE ENDURANCE S, KEYED
TOLERANCES UNLESS OTHERWISE SPECIFIED:		PRODUCT SPEC 108-133073		SIZE A2
0 PLC \pm		APPLICATION SPEC 114-133074		CAGE CODE -
1 PLC ± 0.2		WEIGHT -		DRAWING NO C-2343403
2 PLC ± 0.15		CUSTOMER DRAWING		RESTRICTED TO -
3 PLC \pm		SCALE 1:1		SHEET 1 OF 3
4 PLC \pm				REV A2
ANGLES ± 2				
FINISH -				
-				

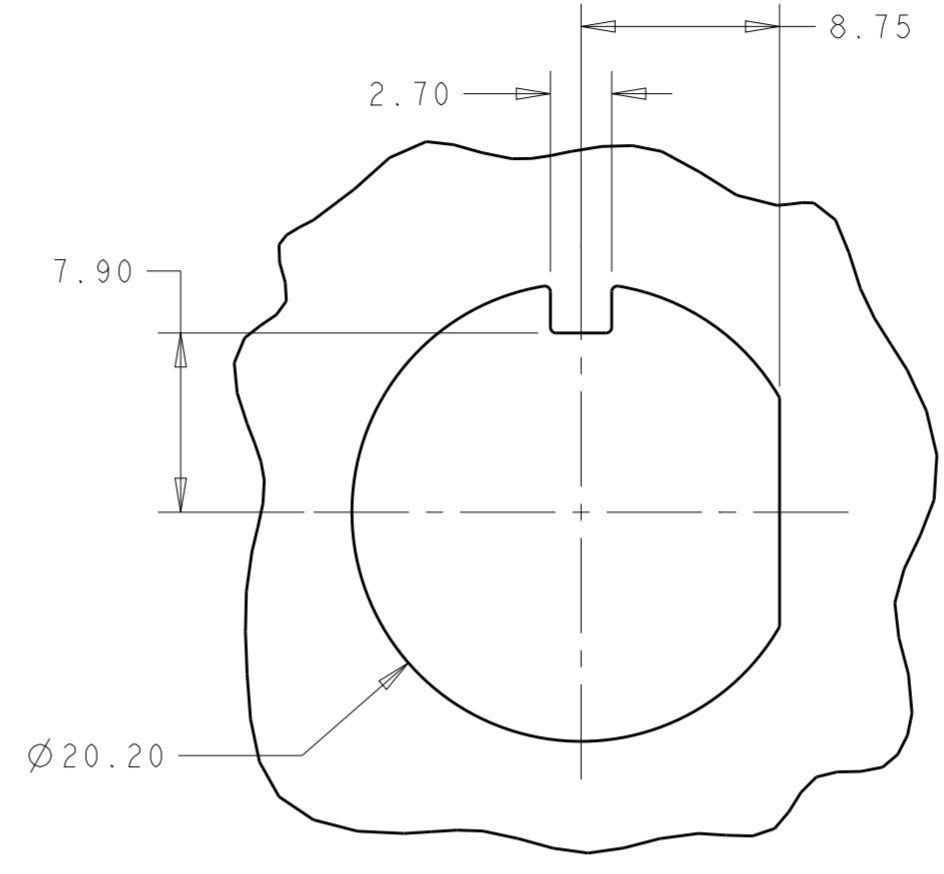
THIS DRAWING IS UNPUBLISHED. RELEASED FOR PUBLICATION 20
 © COPYRIGHT 20 BY - ALL RIGHTS RESERVED.

REVISIONS				
P	LTR	DESCRIPTION	DATE	APVD
-	-	SEE SHEET 1	-	-

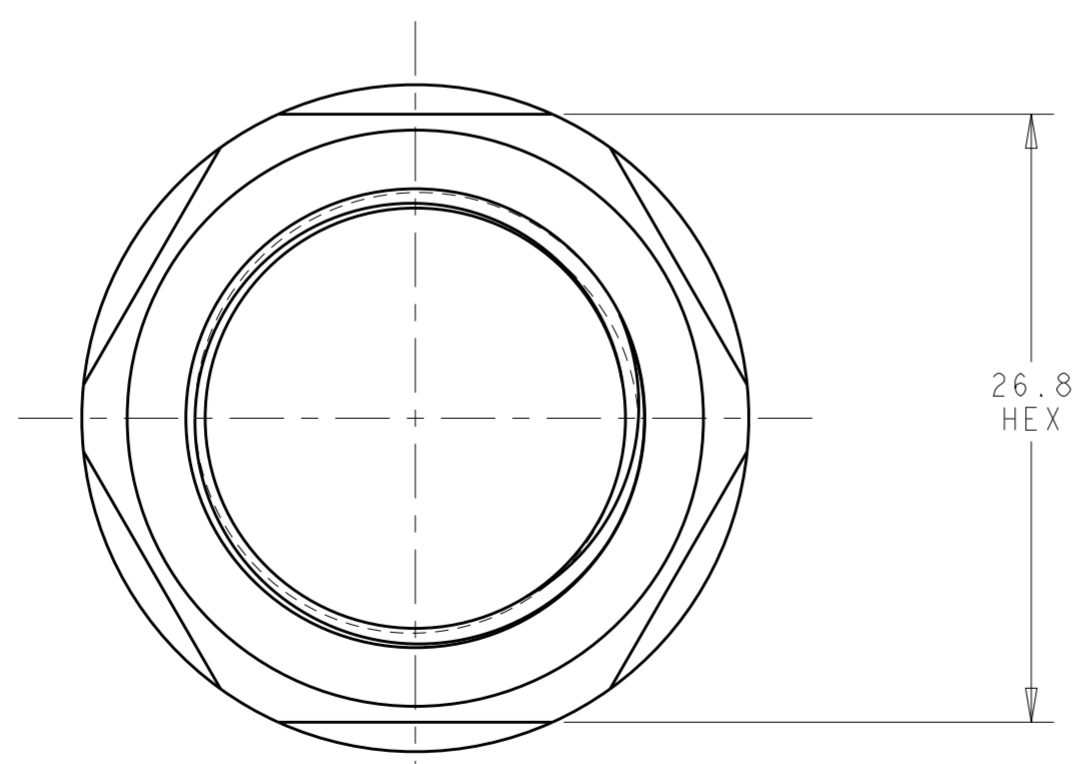


BOTTOM VIEW
 (GASKET, NUT AND WASHER NOT SHOWN FOR CLARITY)

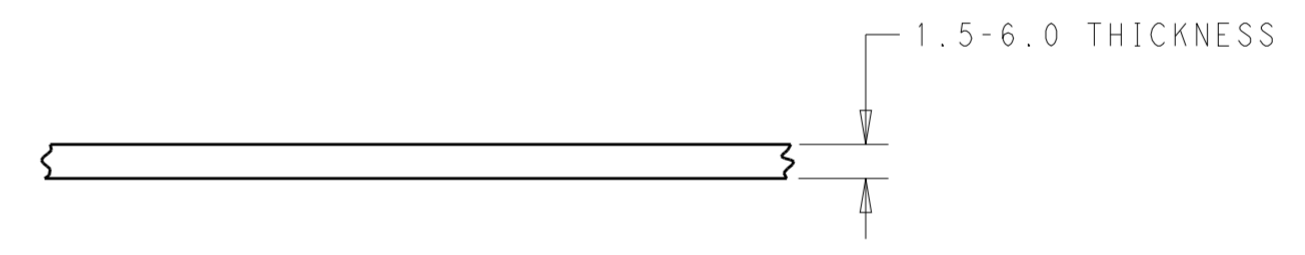
1-2343403-1 SHOWN



RECEPTACLE CUTOUT
 SCALE 3:1



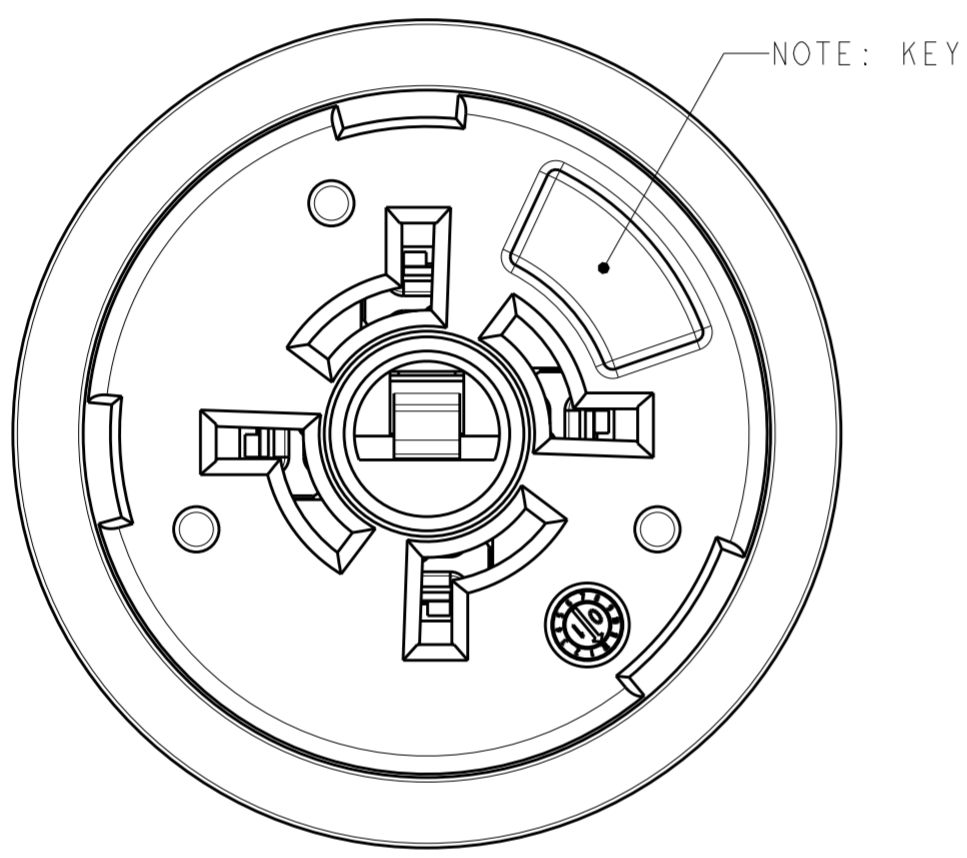
LOCKING NUT DETAIL
 SCALE: 3:1



THIS DRAWING IS A CONTROLLED DOCUMENT.		DWN C. DAILY 03OCT2018	TE Connectivity	
		CHK E. HOWARD 03OCT2018		
DIMENSIONS:		APVD -	NAME RECEPTACLE ASSEMBLY, LUMAWISE ENDURANCE S, KEYED	
mm	TOLERANCES UNLESS OTHERWISE SPECIFIED:	PRODUCT SPEC 108-133073	SIZE A2	
	0 PLC ±	APPLICATION SPEC 114-133074	CAGE CODE -	DRAWING NO. C-2343403
	1 PLC ±0.2	WEIGHT -	RESTRICTED TO -	
	2 PLC ±0.15	CUSTOMER DRAWING	SCALE 1:1	SHEET 2 OF 3
	3 PLC ±		REV A2	
	4 PLC ±			
	ANGLES ±2			
	FINISH			

THIS DRAWING IS UNPUBLISHED. RELEASED FOR PUBLICATION 20
 © COPYRIGHT 20 BY - ALL RIGHTS RESERVED.

REVISIONS				
P	LTR	DESCRIPTION	DATE	APVD
-		SEE SHEET 1	-	-



2343403-1 AND 1-2343403-1
 KEY POSITION A
 SCALE 3:1

THIS DRAWING IS A CONTROLLED DOCUMENT.		DWN C. DAILY 03OCT2018	TE Connectivity	
		CHK E. HOWARD 03OCT2018		
DIMENSIONS:	TOLERANCES UNLESS OTHERWISE SPECIFIED:	APVD -	NAME RECEPTACLE ASSEMBLY, LUMAWISE ENDURANCE S, KEYED	
mm	0 PLC ± 1 PLC ±0.2 2 PLC ±0.15 3 PLC ± 4 PLC ±	PRODUCT SPEC 108-133073	SIZE A2	
	ANGLES ±2	APPLICATION SPEC 114-133074	CAGE CODE -	DRAWING NO G-2343403
MATERIAL	FINISH	WEIGHT -	RESTRICTED TO -	
-	-	CUSTOMER DRAWING	SCALE 1:1	SHEET 3 OF 3
-	-			REV A2

X-ON Electronics

Largest Supplier of Electrical and Electronic Components

Click to view similar products for [LED Lighting Mounting Accessories](#) category:

Click to view products by [TE Connectivity](#) manufacturer:

Other Similar products are found below :

[C16142_HEKLA-SOCKET-K](#) [3SU1401-1BG20-1AA0](#) [3SU1900-0BC31-0NB0](#) [ES16-RT](#) [1SFA616921R2042](#) [1SFA616921R2131](#)
[1SFA616921R2133](#) [1SFA616921R2143](#) [1SFA611621R1093](#) [B8910020](#) [D3980022](#) [E3990022](#) [E3990040](#) [CABI12 E BK 1M SET PRM](#)
[FLAT8 H/U BK 1M SET PRM](#) [BEGTIN12 J/S BK 1M SET PRM](#) [1-2213678-6](#) [C16791_CLAMP-Z45-A](#) [F17250_SOLDER-CLIP-A](#) [CM22-](#)
[4-20MA](#) [CM22-R10K-MT](#) [CM22-R1K](#) [CM22-R50K](#) [CM22-R5K-MT](#) [CM22-SLR](#) [10465](#) [M22-A](#) [M22-CK11](#) [M22-CK20](#) [M22G-XGPV](#)
[M22-K01](#) [M22-LCH-W](#) [M22-LC-R](#) [M22-LED230-R](#) [M22-LED230-W](#) [M22-LEDC230-G](#) [M22-LEDC-G](#) [M22-LEDC-W](#) [M22-LED-G](#)
[M22-LED-W](#) [M22-L-G](#) [M22-LH-G](#) [M22-LH-R](#) [M22-LH-W](#) [M22-L-R](#) [M22-L-W](#) [M22-L-X](#) [M22-R10K](#) [M22-R1K](#) [M22-R470K](#)