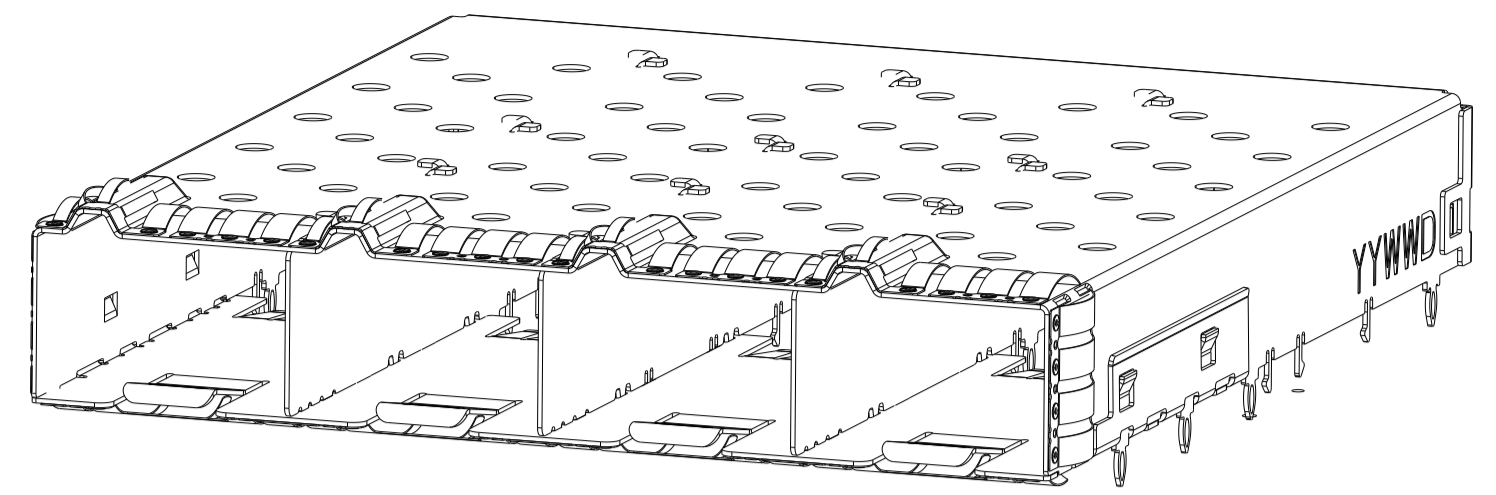
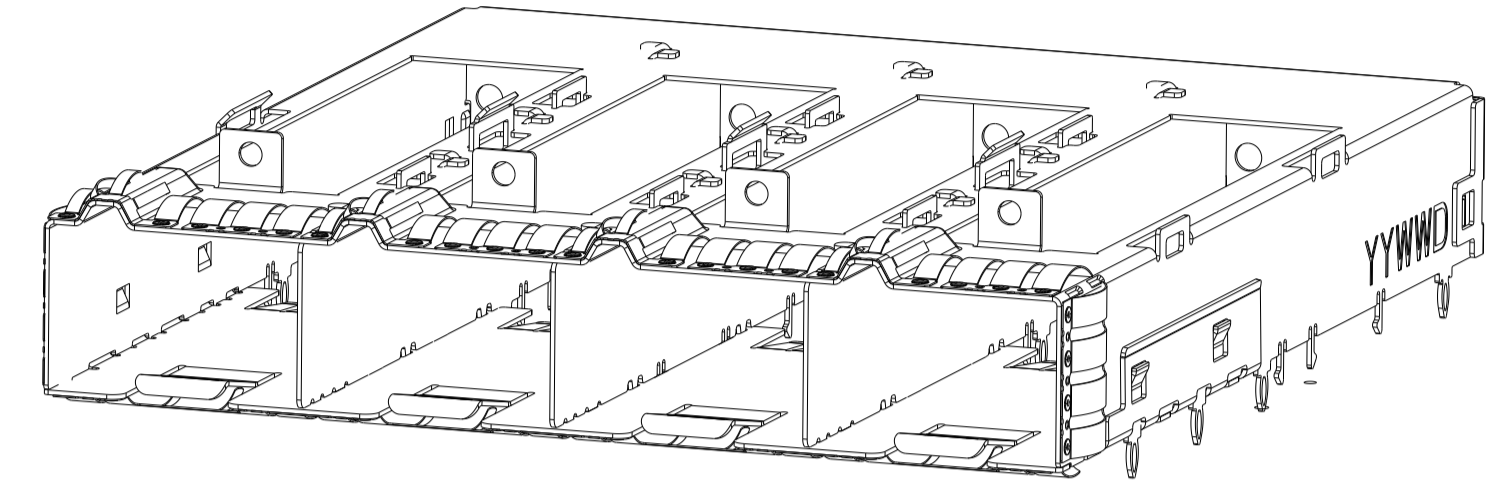


| LOC |    | DIST               |           | REVISIONS |     |      |  |
|-----|----|--------------------|-----------|-----------|-----|------|--|
| GP  | 00 | REV                | DATE      | BY        | CHK | APPV |  |
| A   |    | PRODUCTION RELEASE | 15JAN2021 | VL        |     | SZH  |  |
| A1  |    | ADDED NEW DASH -4  | 21APR2021 | AJ        |     | SZ   |  |
| A2  |    | ADDED NEW DASH 2-1 | 10NOV2021 | AJ        |     | SZ   |  |

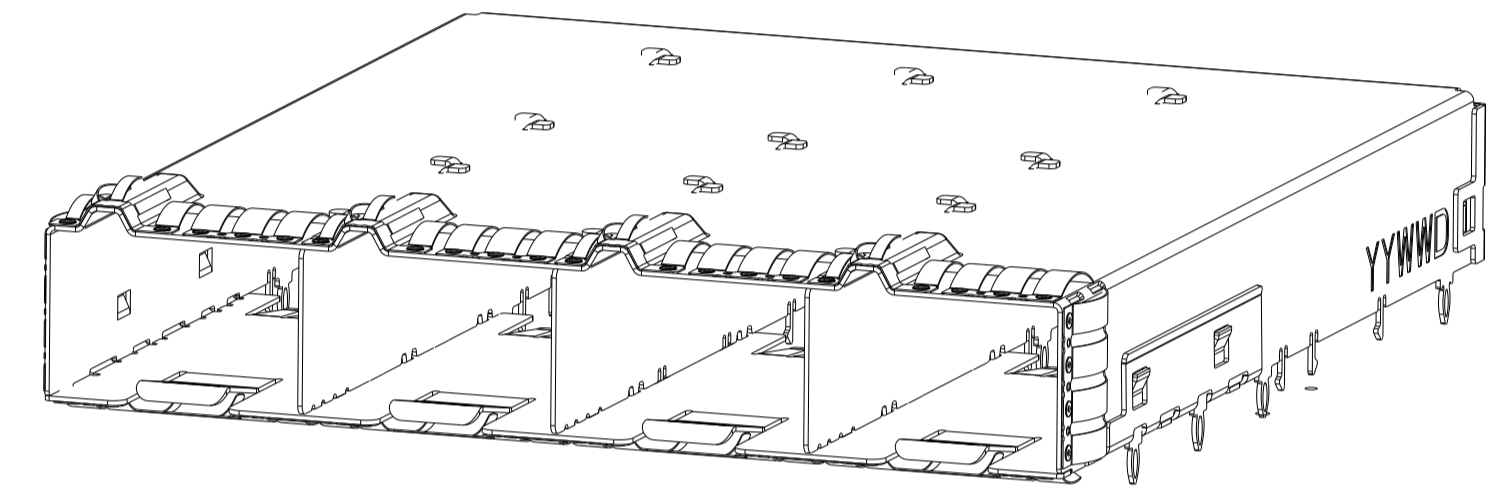
2344508-1  
STANDARD VERSION  
SCALE 5:2



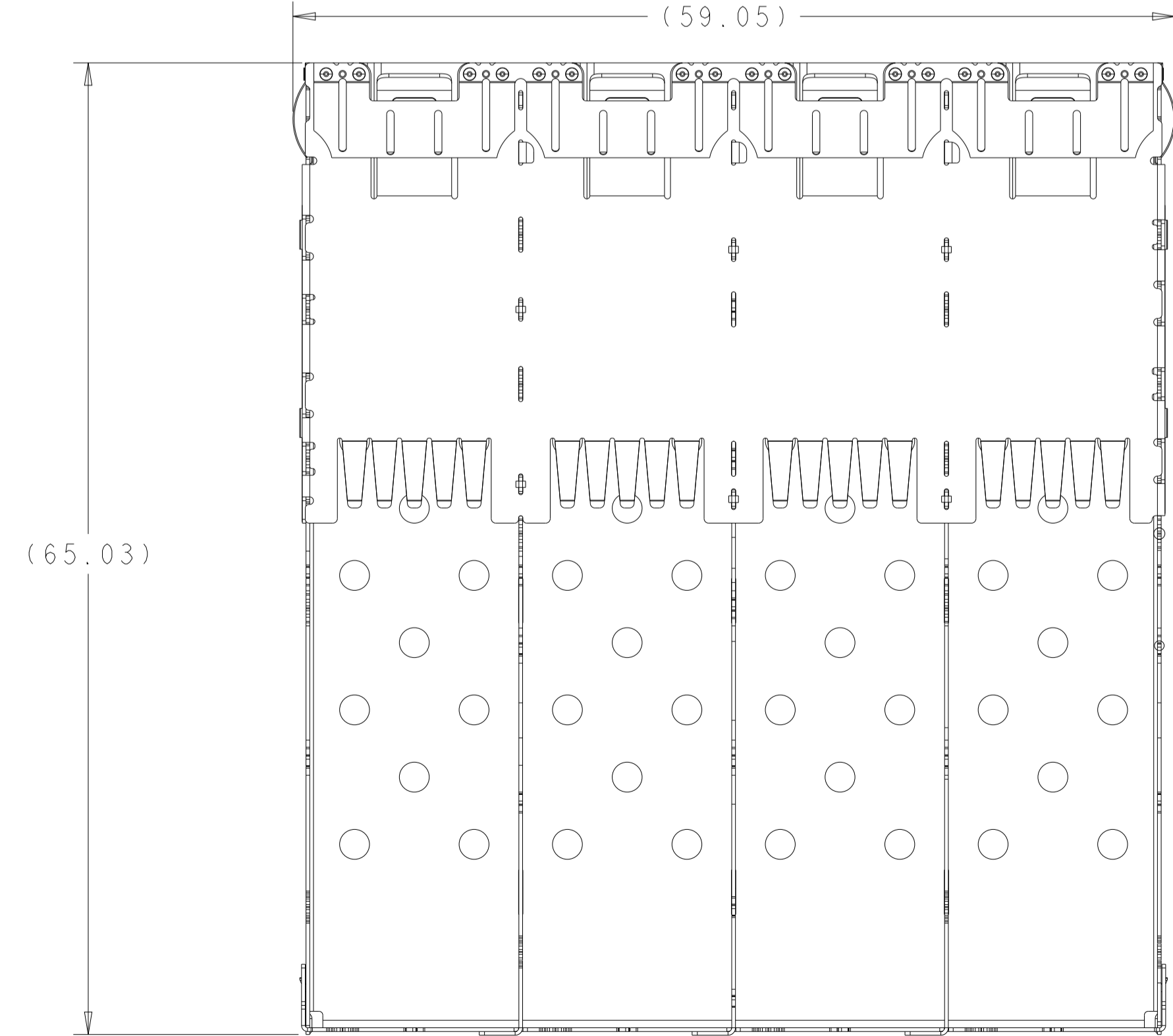
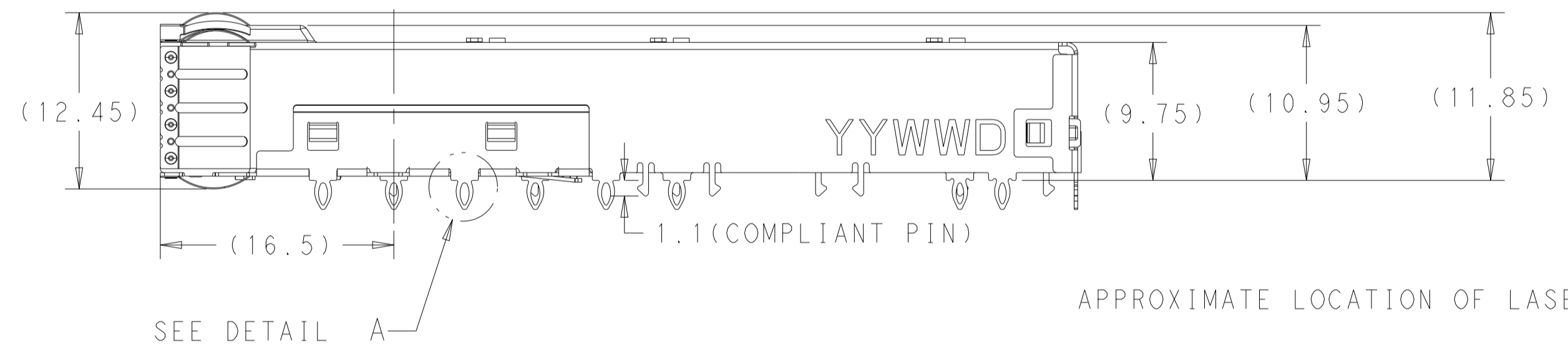
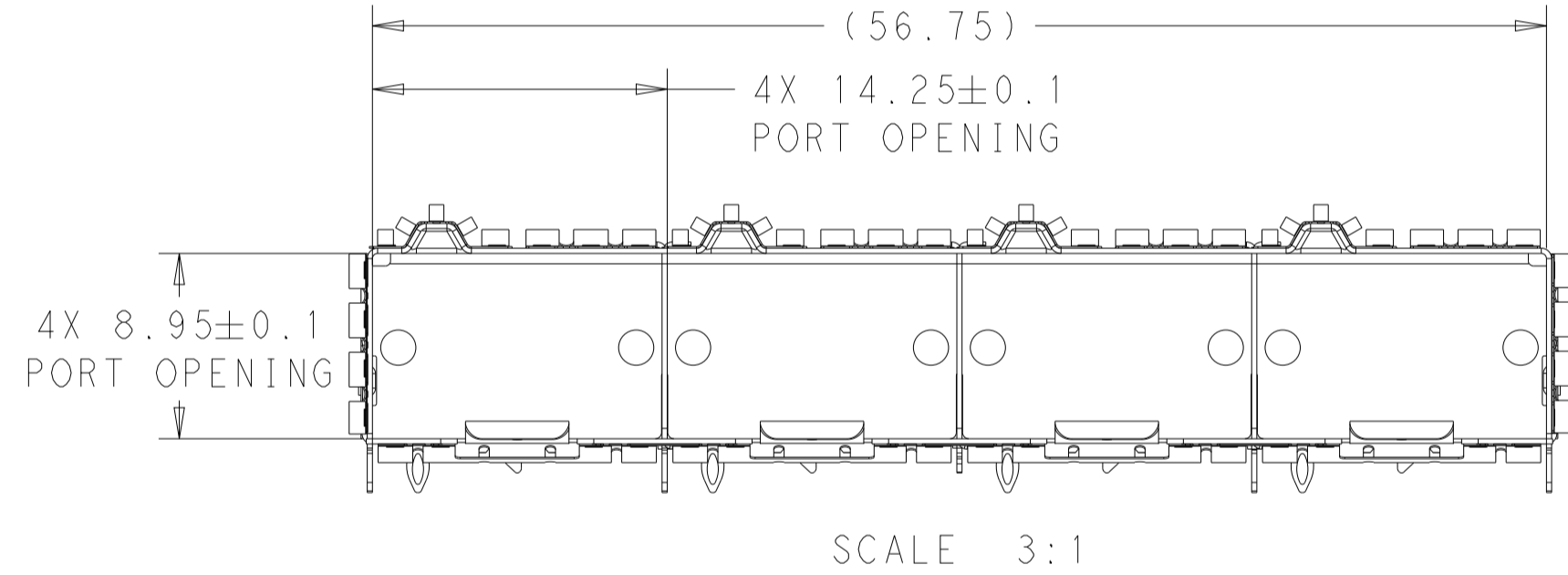
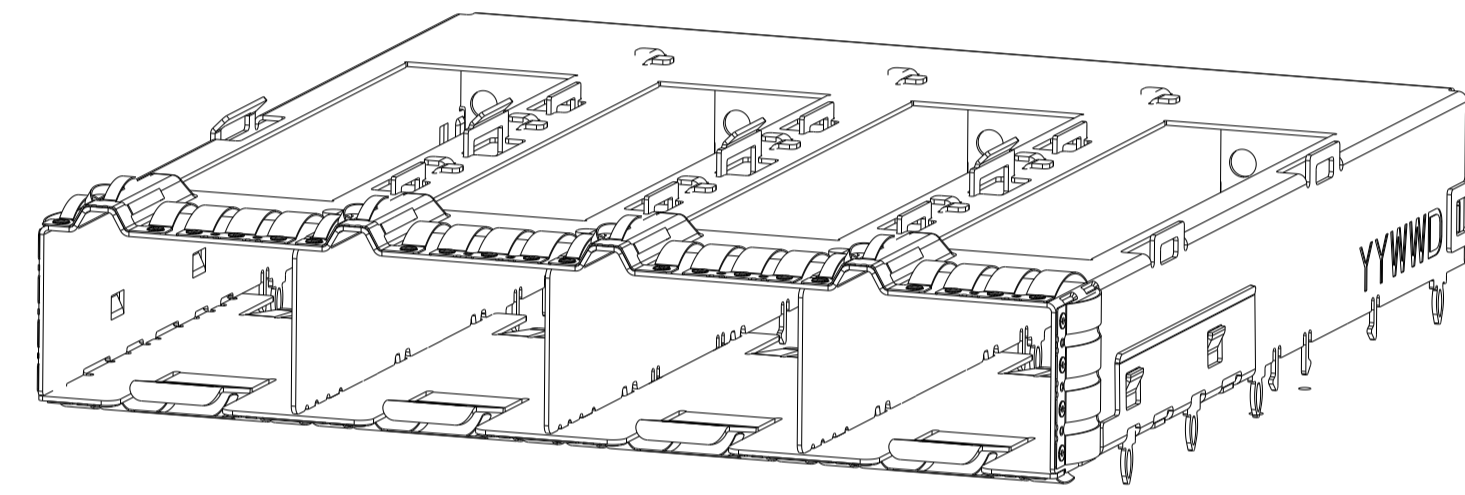
1-2344508-1  
WITH LP TAP/ HS OPENING  
SCALE 5:2



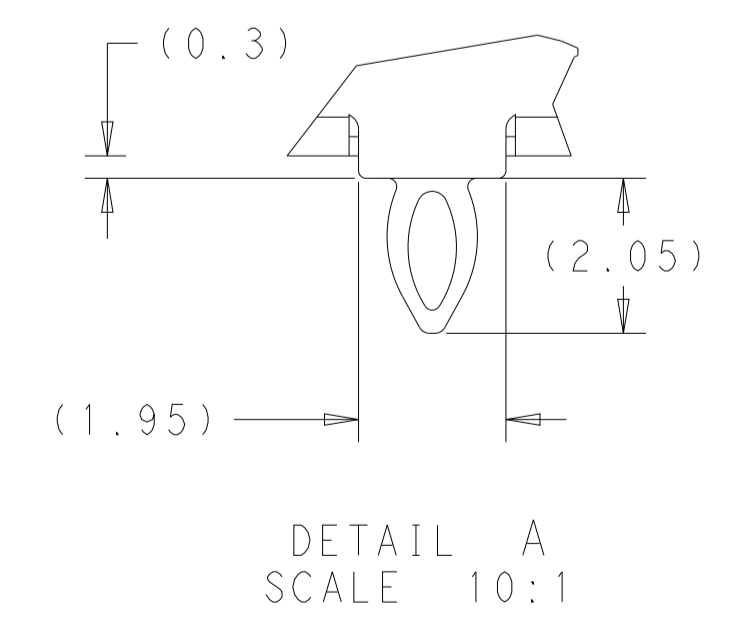
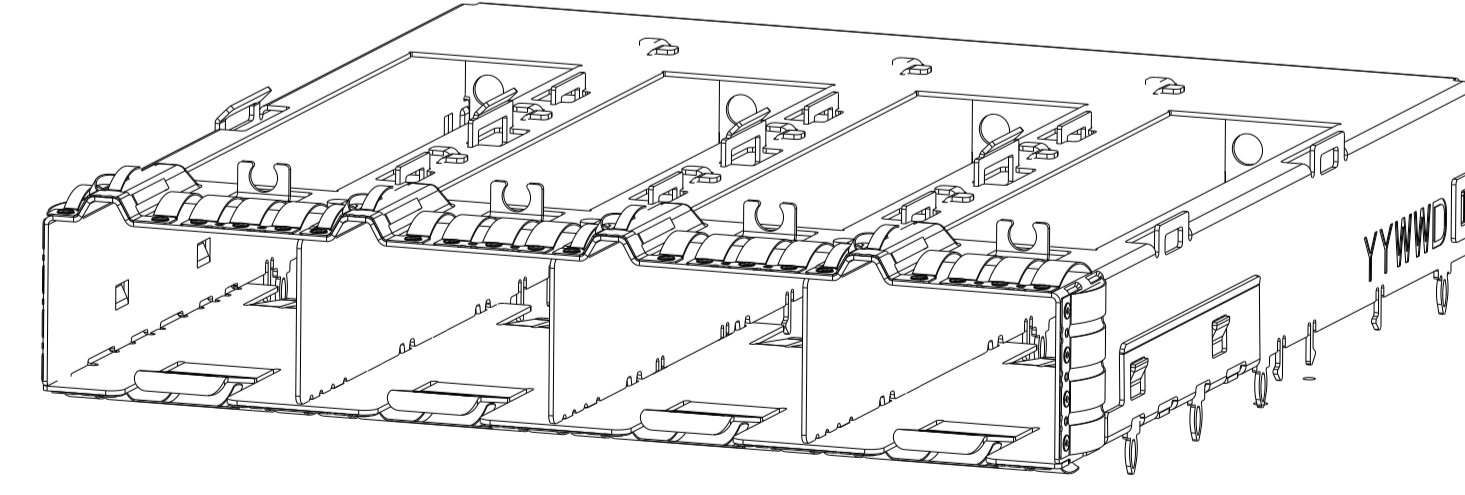
2344508-3  
WITHOUT TOP VENT HOLE  
SCALE 5:2



2344508-4  
WITH HS OPENING  
SCALE 5:2



2-2344508-1  
WITH LP BRACKET AND HS OPENING  
SCALE 5:2



2-2344508-1  
WITH LP BRACKET AND HS OPENING  
SCALE 5:2

| DESCRIPTION                  | PART NUMBER |
|------------------------------|-------------|
| W/HS OPENING                 | 2344508-4   |
| WITHOUT TOP VENT HOLE        | 2344508-3   |
| W/ LP BRACKET AND HS OPENING | 2-2344508-1 |
| W/ LP TAB AND HS OPENING     | 1-2344508-1 |
| STANDARD                     | 2344508-1   |

- CAGE: 0.25mm THICK STAINLESS STEEL  
EMI SPRINGS: COPPER ALLOY
- FINISH:  
SPRINGS: 0.8um NICKEL.NON-PLATED EDGES PERMISSIBLE.
- MATES WITH SFP-DD MSA COMPLIANT TRANSCEIVERS.
- INTERPRETATION OF DATUM REFERENCE FRAME IN ACCORDANCE WITH SECT 4.4.1.1 OF ASME Y14.5M-1994.
- MINIMUM PC BOARD THICKNESS:  
SINGLE SIDED = 1.57mm  
DOUBLE SIDED = 2.20mm
- DATUM AND BASIC DIMENSION ESTABLISHED BY CUSTOMER.
- REFERENCE APPLICATION SPEC. 114-60027, HOLE A, FOR RECOMMENDED DRILL HOLE DIAMETER AND PLATING THICKNESS.
- REFERENCE APPLICATION SPEC. 114-60027, HOLE B, FOR RECOMMENDED DRILL HOLE DIAMETER AND PLATING THICKNESS.
- HOLE PATTERN REPEATS FOR EACH PORT. SPACING BETWEEN PORTS IS 14.25mm.
- DATUM -A- IS TOP SURFACE OF THE HOST BOARD.

THIS DRAWING IS A CONTROLLED DOCUMENT. DWG: VINDY LIU 10OCT2018  
 CHK: SEAN HAN 10OCT2018

TE Connectivity

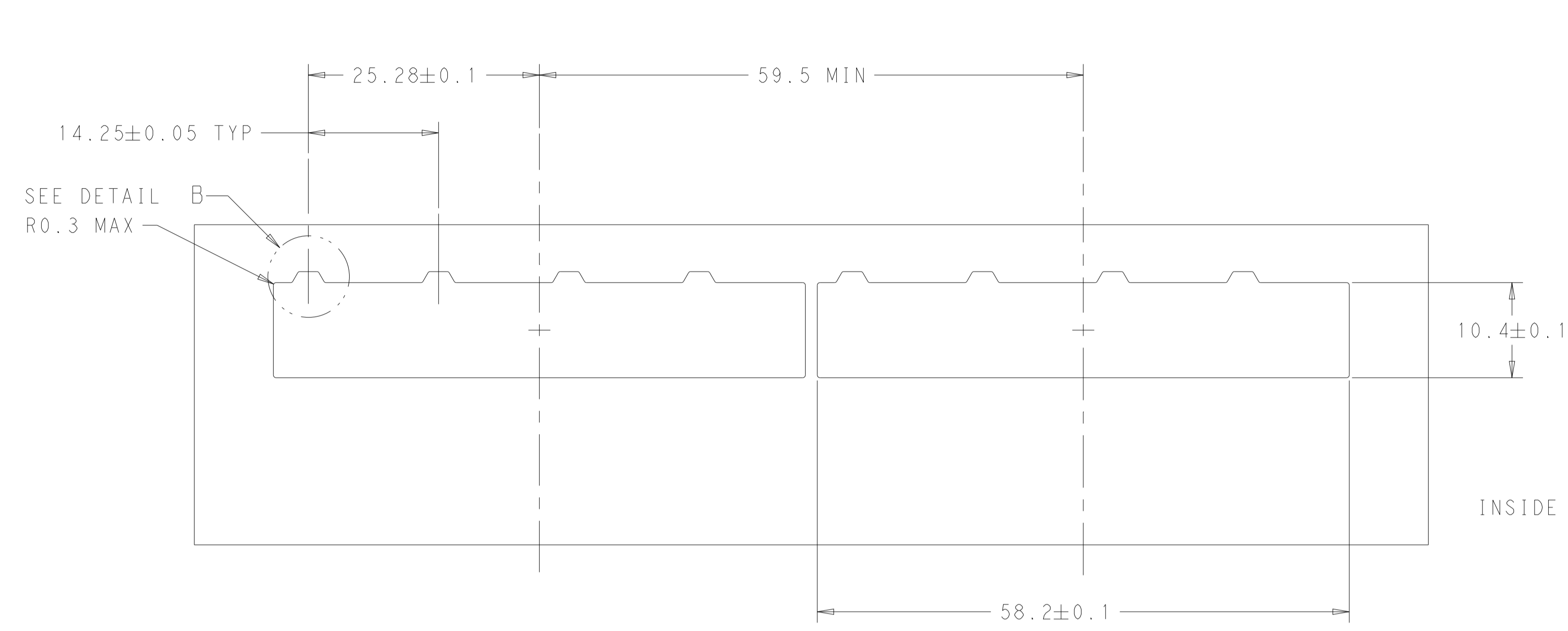
NAME: SFPDD 1X4 CAGE ASSEMBLY PRESS-FIT, EXTERNAL EMI SPRINGS

PRODUCT SPEC: 108-60128  
 APPLICATION SPEC: 114-60027

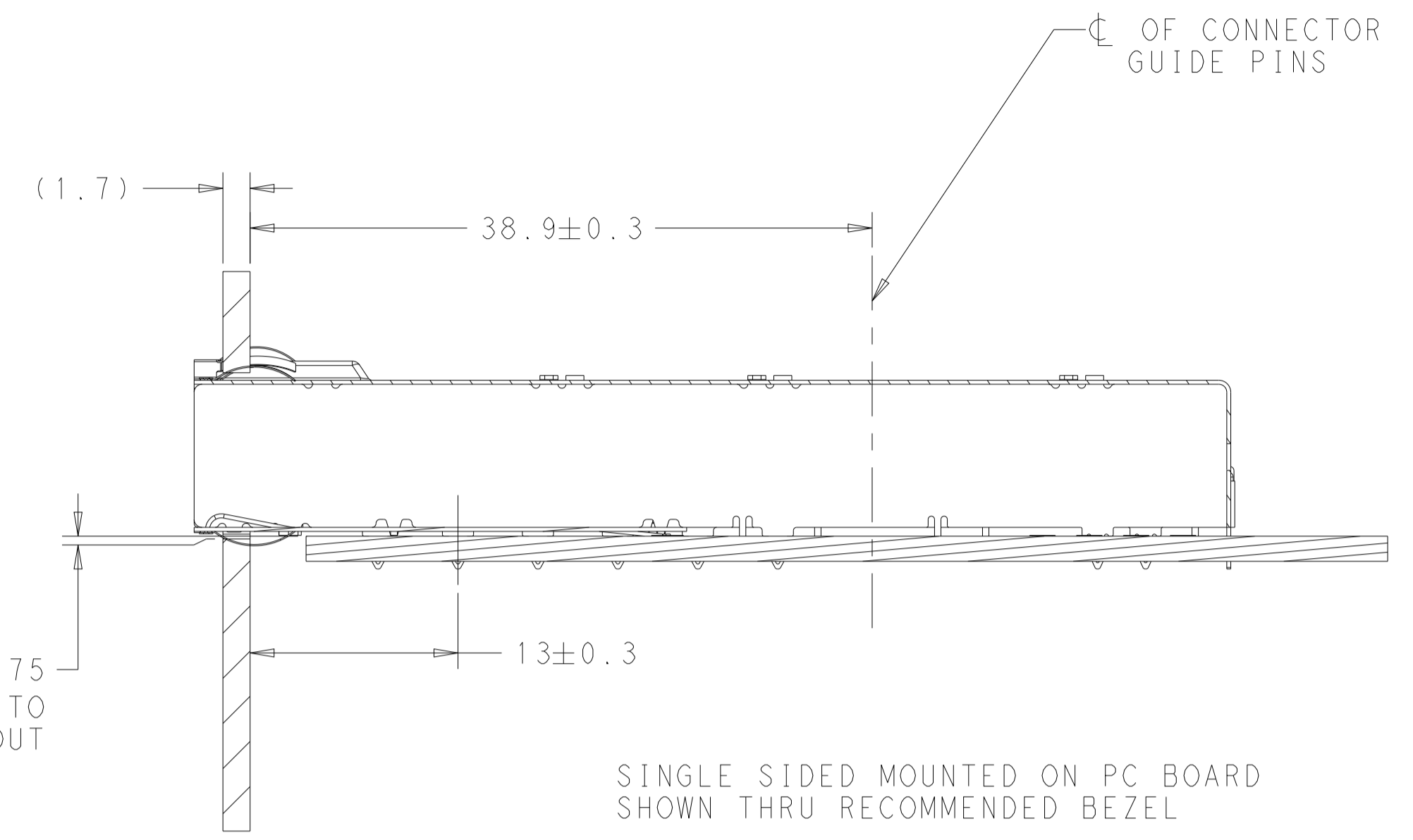
SIZE: A1 CAGE CODE: 00779 DRAWING NO: 2344508  
 WEIGHT: -

CUSTOMER DRAWING SCALE: 1:1 SHEET: 1 OF 4 REV: A2

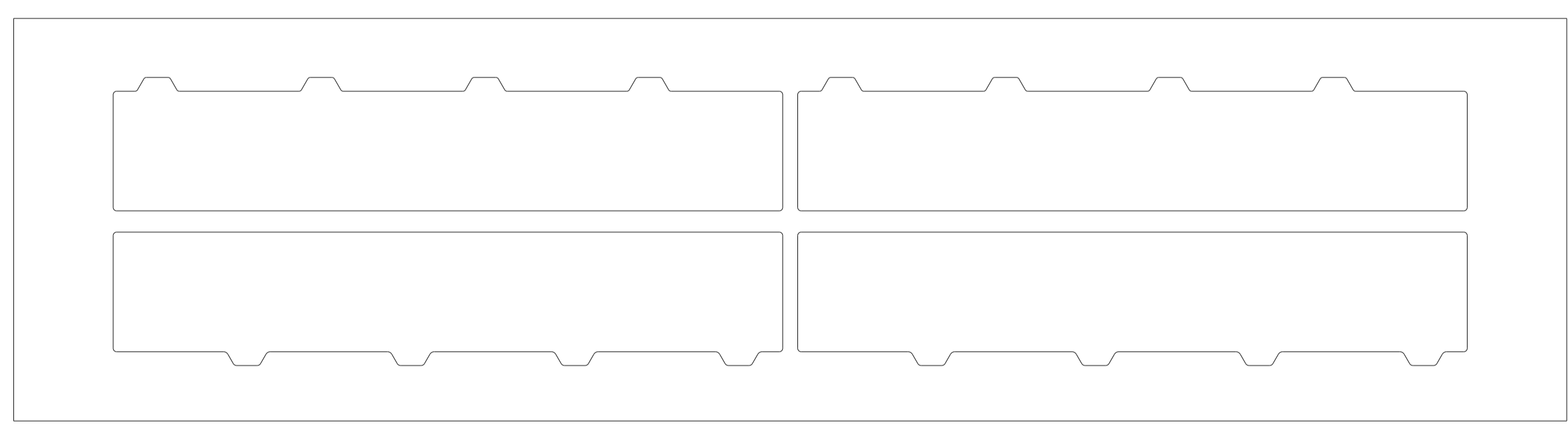
| LOC | DIST | REVISIONS |     |             |      |     |      |
|-----|------|-----------|-----|-------------|------|-----|------|
| GP  | 00   | P         | LTN | DESCRIPTION | DATE | DWN | APVD |
| -   | -    | -         | -   | SEE SHEET 1 | -    | -   | -    |
|     |      |           |     |             |      |     |      |
|     |      |           |     |             |      |     |      |



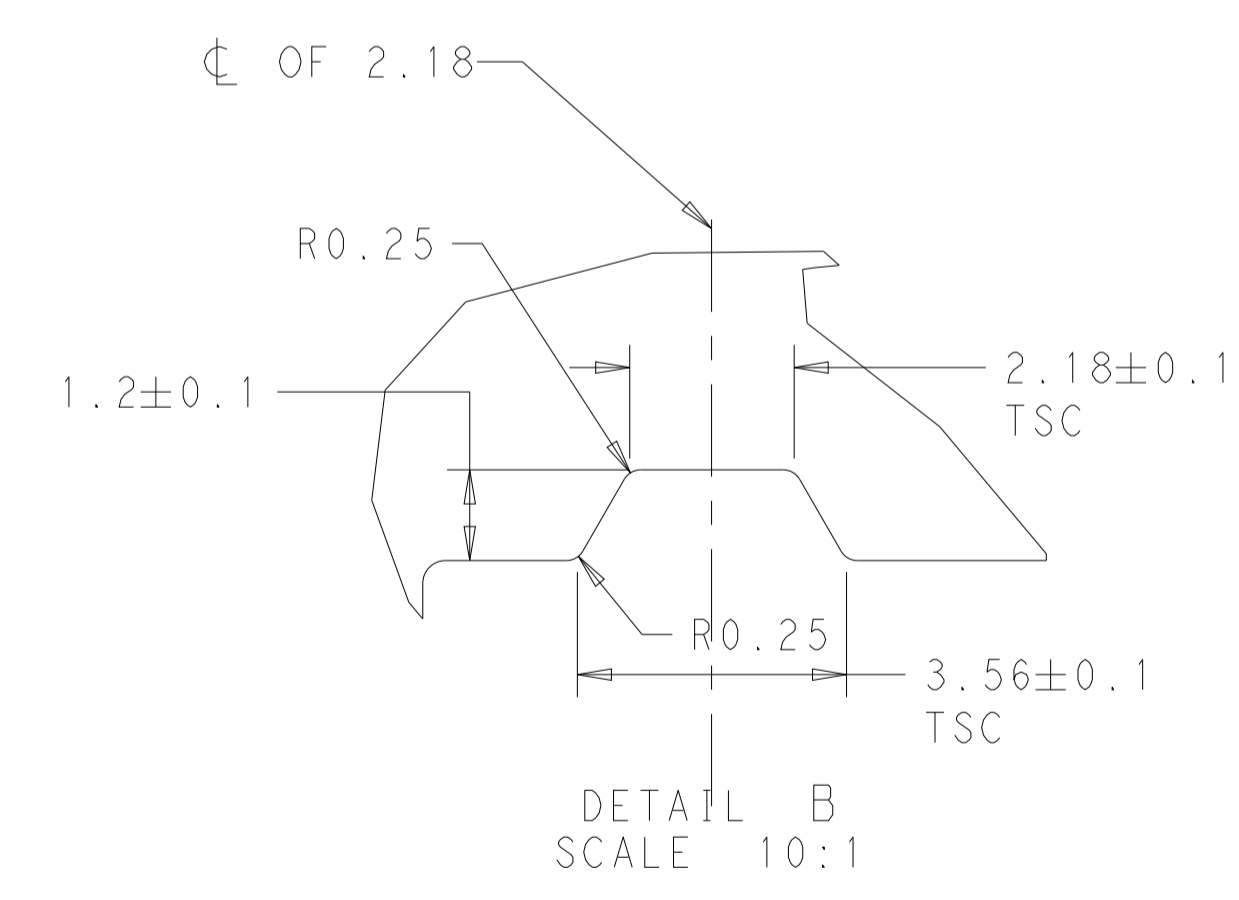
RECOMMENDED BEZEL CUT-OUT  
SINGLE SIDED APPLICATIONS  
SCALE 5:2



SINGLE SIDED MOUNTED ON PC BOARD  
SHOWN THRU RECOMMENDED BEZEL



RECOMMENDED BEZEL CUT-OUT  
BELLY TO BELLY APPLICATIONS  
SCALE 5:2

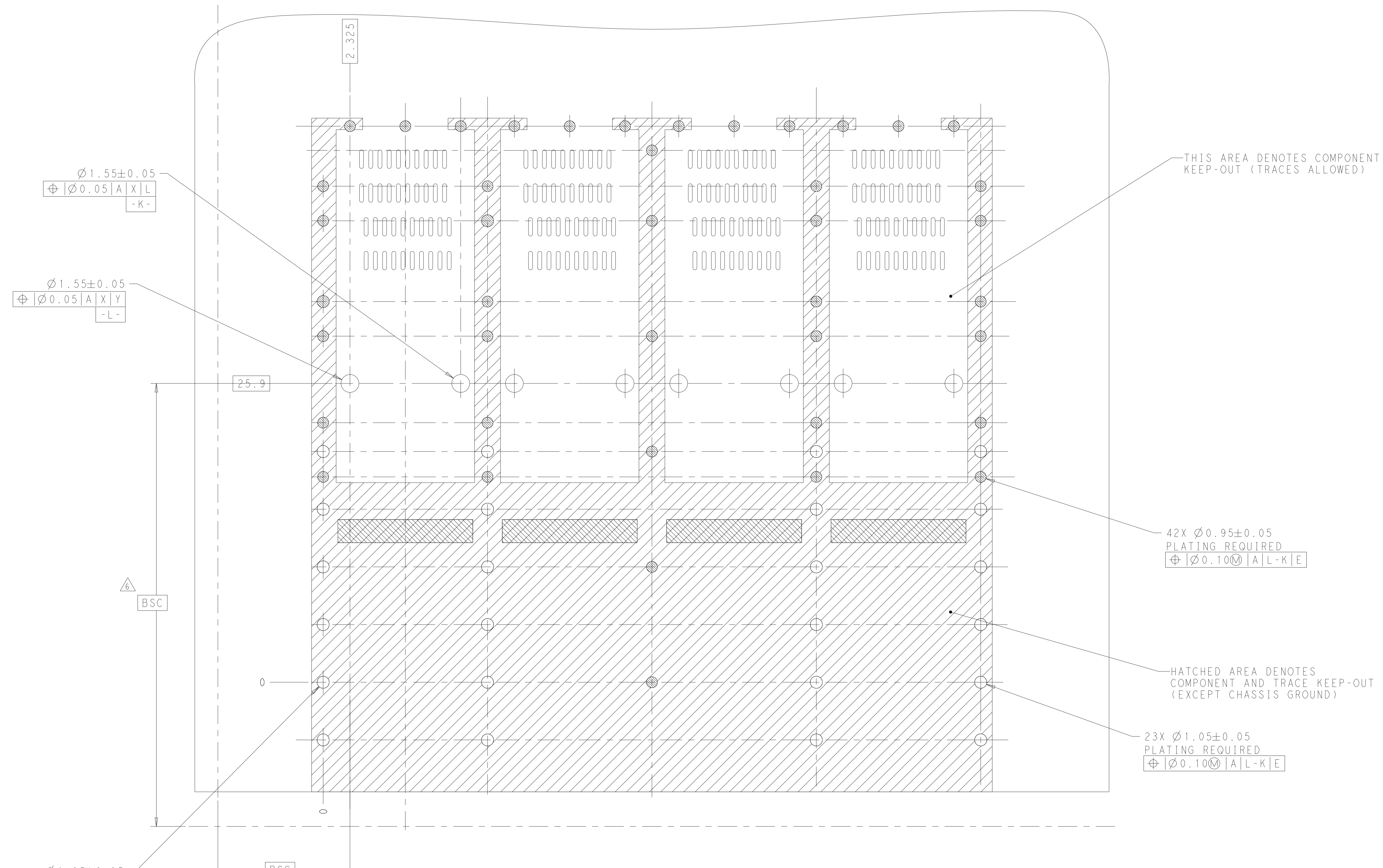


DETAIL B  
SCALE 10:1

|  |   |                          |                                 |
|--|---|--------------------------|---------------------------------|
| THIS DRAWING IS A CONTROLLED DOCUMENT. |   | DWN: VINDY LIU 10OCT2018 |                                 |
|  |   | CHK: SEAN HAN 10OCT2018  |                                 |
| DIMENSIONS:                            | TOLERANCES UNLESS OTHERWISE SPECIFIED:  | APVD:                    | NAME:                           |
| mm                                     | 0 PLC ±0.25<br>1 PLC ±0.25<br>2 PLC ±0.20<br>3 PLC ±0.20<br>4 PLC ±0.20<br>ANGLES ± | PRODUCT SPEC             | SFPDD 1X4 CAGE ASSEMBLY         |
|  |   | APPLICATION SPEC         | PRESS-FIT, EXTERNAL EMI SPRINGS |
| MATERIAL:                              | FINISH:   | 114-60027                | SIZE: A1                        |
|  |   | WEIGHT:                  | CAGE CODE: 2344508              |
|  |   | CUSTOMER DRAWING         | SCALE: 1:1 SHEET 2 OF 4 REV A2  |



| LOC | DIST | REVISIONS   |      |     |      |
|-----|------|-------------|------|-----|------|
| P   | LYR  | DESCRIPTION | DATE | DMN | APVD |
| -   | -    | SEE SHEET 1 | -    | -   | -    |
|     |      |             |      |     |      |
|     |      |             |      |     |      |



RECOMMENDED PCB CONFIGURATION WITH KEEP-OUTS FOR BELLY TO BELLY APPLICATIONS  
 SAME AS SINGLE SIDE APPLICATION, EXCEPT AS SHOWN  
 SCALE 6:1

|   |  |   |  |
|---|--|---|--|
| THIS DRAWING IS A CONTROLLED DOCUMENT.  |  | DMN: VINDY LIU 10OCT2018  | TE Connectivity  |
| DIMENSIONS: mm  |  | CHK: SEAN HAN 10OCT2018   |  |
| TOLERANCES UNLESS OTHERWISE SPECIFIED:<br>0 PLC ±0.25<br>1 PLC ±0.25<br>2 PLC ±0.20<br>3 PLC ±0.20<br>4 PLC ±0.20<br>ANGLES ±<br>FINISH # |  | APVD: SEAN HAN<br>PRODUCT SPEC: 108-60128<br>APPLICATION SPEC: 114-60027<br>WEIGHT: - | NAME: SFPDD 1X4 CAGE ASSEMBLY PRESS-FIT, EXTERNAL EMI SPRINGS<br>SIZE: A1<br>CAGE CODE: 00779<br>DRAWING NO: C=2344508<br>RESTRICTED TO: - |
| MATERIAL:   |  | CUSTOMER DRAWING  | SCALE: 1:1 SHEET 4 OF 4 REV: A2  |

## X-ON Electronics

Largest Supplier of Electrical and Electronic Components

*Click to view similar products for [I/O Connectors](#) category:*

*Click to view products by [TE Connectivity](#) manufacturer:*

Other Similar products are found below :

[571763P](#) [D20419-211](#) [72.250.1628.2](#) [72.250.2428.2](#) [74720-0505](#) [76.350.0729.0](#) [76871-1403](#) [FCN-244F080-G/1](#) [FCN-260A9920](#) [MP-5T180MUNNA-005](#) [PCR-E36PM](#) [PCS-XE26MA+](#) [G38A71314B](#) [1571250010](#) [157-22500-3](#) [MS3471L14-19P L/C](#) [172501-4002](#) [172501-6002](#) [FCN-260C008-A/L0](#) [FCN-260C024-AL0](#) [FCN-261Z008](#) [2000314-1](#) [200331-1](#) [PCR-E36FC+](#) [PCS-E28FS+](#) [PCS-XE26SLFD+](#) [PCS-XE26SLFDT+](#) [G730VID08BDC24](#) [HDMR-29-01-S-SM-TR](#) [U90B2054081210](#) [UE86K842720321](#) [38113800006](#) [DP3AR020WQ1R200](#) [Z4.102.0680.0](#) [500-1040](#) [500-1052](#) [500-1054](#) [ZP-4008-66L](#) [0709821002](#) [5554841-1](#) [U90B3054061110](#) [U65-E04-4020](#) [ZPF00000000097891](#) [557-262M2-06C](#) [747360449](#) [10099439-003C-TRLF](#) [10137239-0021LF](#) [E9320-001-01](#) [10137239-0011LF](#) [70289-001LF](#)