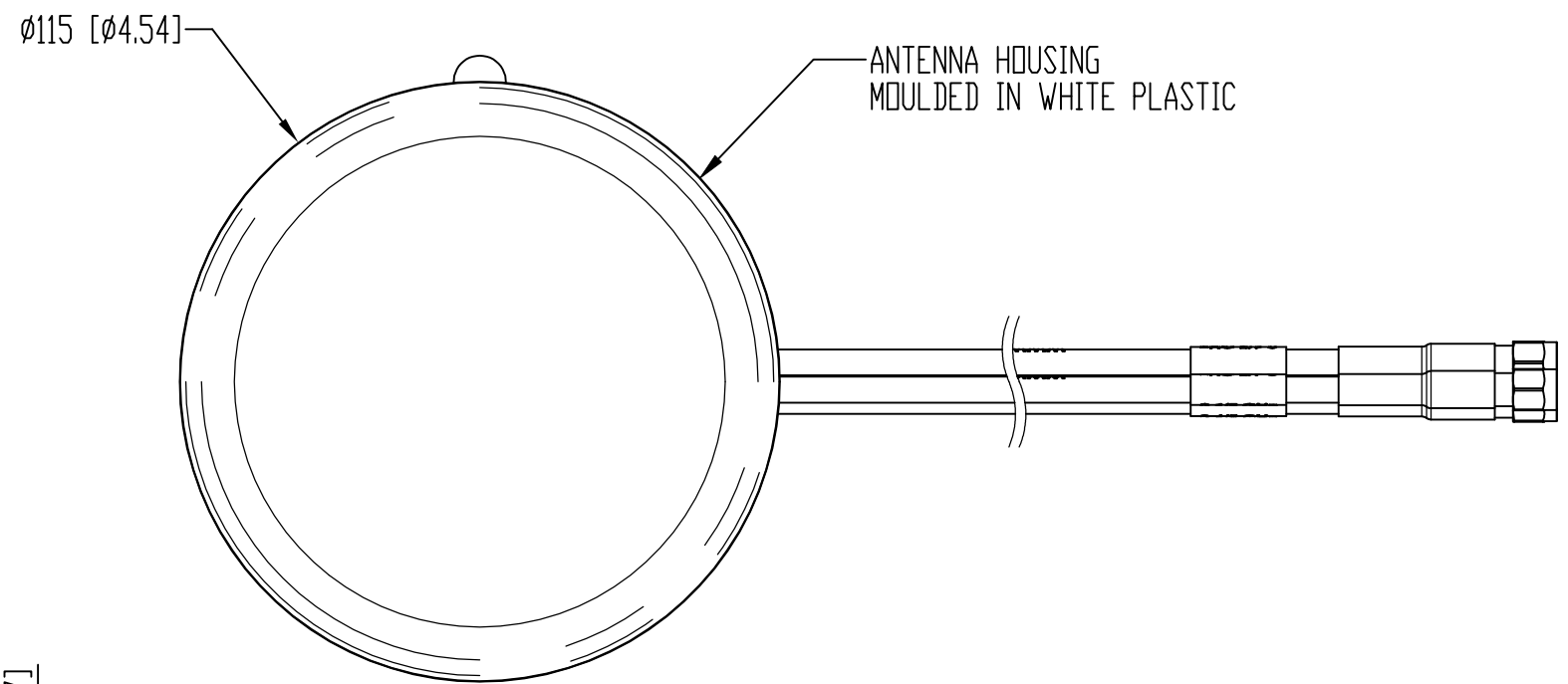
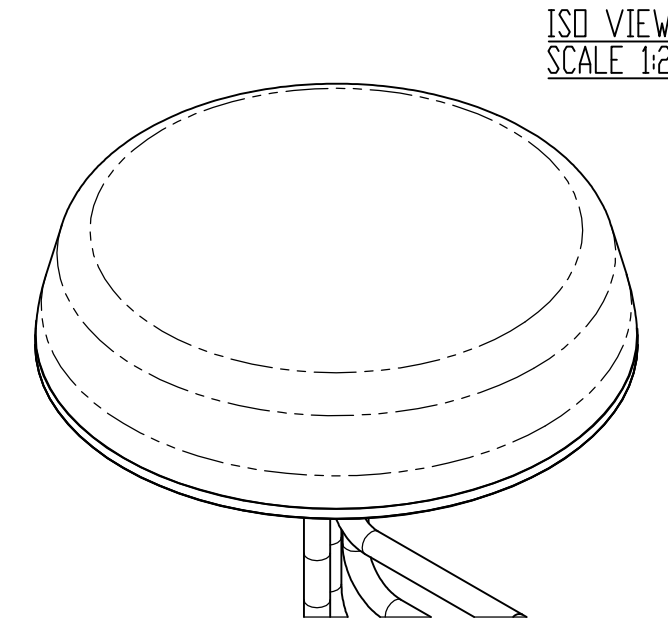
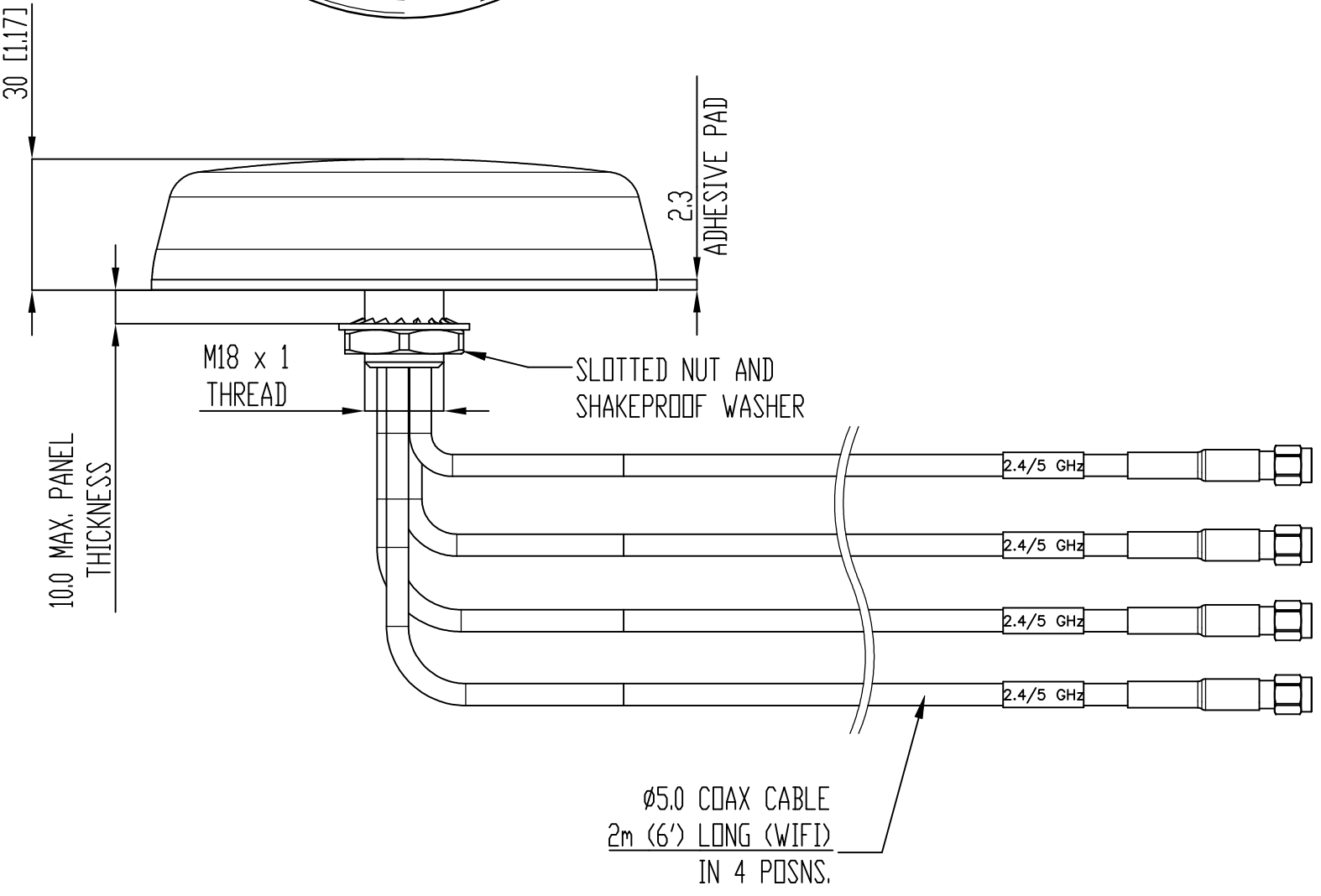


| REVISIONS |     |                 |           |       |
|-----------|-----|-----------------|-----------|-------|
| P         | LTR | DESCRIPTION     | DATE      | APVD  |
| A         |     | INITIAL RELEASE | 27NOV2018 | GK ES |



- NOTES:
- OPERATING FREQUENCIES:  
WIFI FEED: 2400/4900-6000 MHz
  - ALL MATERIALS SUPPLIED MUST BE RoHS2 (DIRECTIVE 2011/65/EU) COMPLIANT AND MUST NOT CONTAIN ANY SUBSTANCES OF VERY HIGH CONCERN (SVHCs) LISTED UNDER REACH OR POLY-AROMATIC HYDROCARBONS (PAHs), OR PERSISTENT ORGANIC POLLUTANTS (POPs) CONTROLLED BY THE STOCKHOLM CONVENTION.
  - PATTERN: OMNI-DIRECTIONAL.
  - MAX. INPUT POWER: 10W.
  - OPERATING TEMPERATURE: -30°/+70°C (-22°/+158°F).
  - MATERIAL: GELOY HRA 222F.
  - CABLE MATERIAL: CS32 FLAME RETARDANT TO UN118.01/EN6722/EN45545-2
  - WEIGHT: 225g.
  - TESTED AND APPROVED ACCORDING TO EN45545-2(HL1-3)



| 2344721-6 | CEILING MOUNT ANTENNA MIMO 4X4 | RIGHT-ANGLED N PLUGS       | WHITE |
|-----------|--------------------------------|----------------------------|-------|
| 2344721-5 | CEILING MOUNT ANTENNA MIMO 3X3 |                            |       |
| 2344721-4 | CEILING MOUNT ANTENNA MIMO 2X2 | REVERSE POLARITY SMA PLUGS |       |
| 2344721-3 | CEILING MOUNT ANTENNA MIMO 4X4 |                            |       |
| 2344721-2 | CEILING MOUNT ANTENNA MIMO 3X3 |                            |       |
| 2344721-1 | CEILING MOUNT ANTENNA MIMO 2X2 |                            |       |
| TE P/N    | DESCRIPTION                    | TERMINATION                | COLOR |

|                                        |  |                          |                            |               |
|----------------------------------------|--|--------------------------|----------------------------|---------------|
| THIS DRAWING IS A CONTROLLED DOCUMENT. |  | DWN<br>GOPALKRISHNA H.V. | TE Connectivity            |               |
| DIMENSIONS:<br>mm [INCHES]             |  | CHK<br>E STELLINGA       | CEILING MOUNT ANTENNA MIMO |               |
| TOLERANCES UNLESS OTHERWISE SPECIFIED: |  | APVD<br>E STELLINGA      | -                          |               |
| 0 PLC ± 0.5                            |  | PRODUCT SPEC             | -                          |               |
| 1 PLC ± 0.2                            |  | APPLICATION SPEC         | -                          |               |
| 2 PLC ± 0.1                            |  | SIZE                     | A2                         | 00779         |
| 3 PLC ± -                              |  | CAGE CODE                | C-2344721                  | DRAWING NO    |
| 4 PLC ± -                              |  | WEIGHT                   | 0                          | RESTRICTED TO |
| ANGLES ± 1°                            |  | CUSTOMER DRAWING         |                            |               |
| FINISH                                 |  | SCALE                    | 1:1                        | SHEET 1 of 1  |
| MATERIAL                               |  | REV A                    |                            |               |

## X-ON Electronics

Largest Supplier of Electrical and Electronic Components

*Click to view similar products for [Antennas](#) category:*

*Click to view products by [TE Connectivity](#) manufacturer:*

Other Similar products are found below :

[GAN30084EU](#) [930-033-R](#) [GW17.07.0250E](#) [1513563-1](#) [EXE902SM](#) [APAMPG-117](#) [MAF94383](#) [W3908B0100](#) [W6102B0100](#) [YE572113-30RSMM](#) [108-00014-50](#) [66089-2406](#) [SPDA17RP918](#) [A09-F8NF-M](#) [A09-F5NF-M](#) [RGFRA1903041A1T](#) [W3593B0100](#) [W3921B0100](#) [SIMNA-868](#) [SIMNA-915](#) [SIMNA-433](#) [W1044](#) [W1049B090](#) [A75-001](#) [WTL2449CQ1-FRSMM](#) [CPL9C](#) [EXB148BN](#) [0600-00060](#) [TRA9020S3PBN-001](#) [Y4503](#) [GD5W-28P-NF](#) [MA9-7N](#) [GD53-25](#) [GD5W-21P-NF](#) [C37](#) [MAF94051](#) [MA9-5N](#) [EXD420PL](#) [B1322NR](#) [QWFTB120](#) [MAF94271](#) [MAF94300](#) [GPSMB301](#) [FG4403](#) [AO-AGSM-OM54](#) [5200232](#) [MIKROE-2349](#) [WCM.01.0111](#) [MIKROE-2393](#) [MIKROE-2352](#)