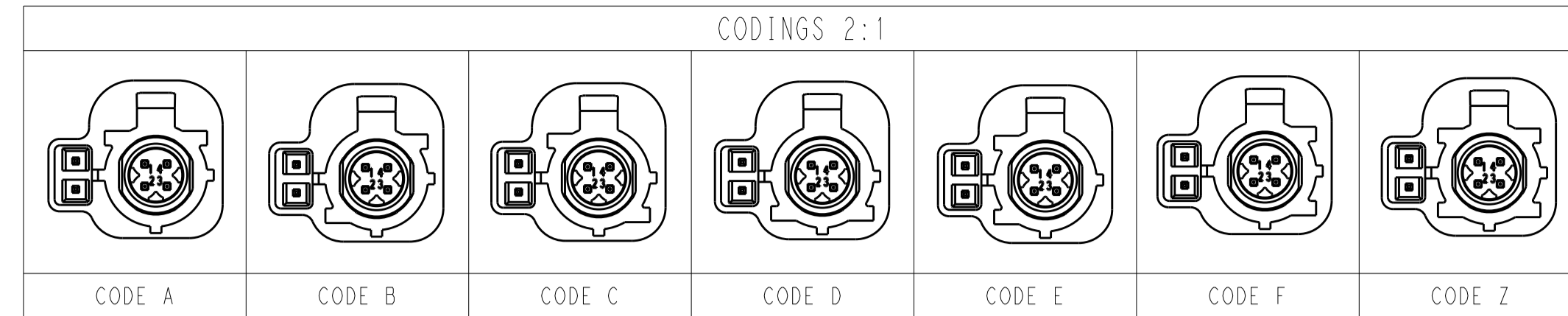
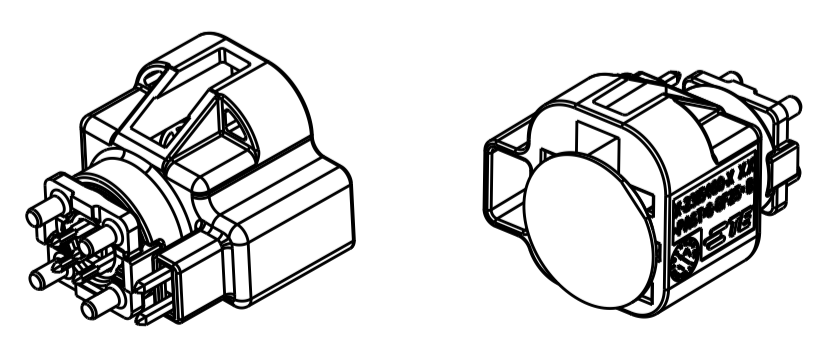
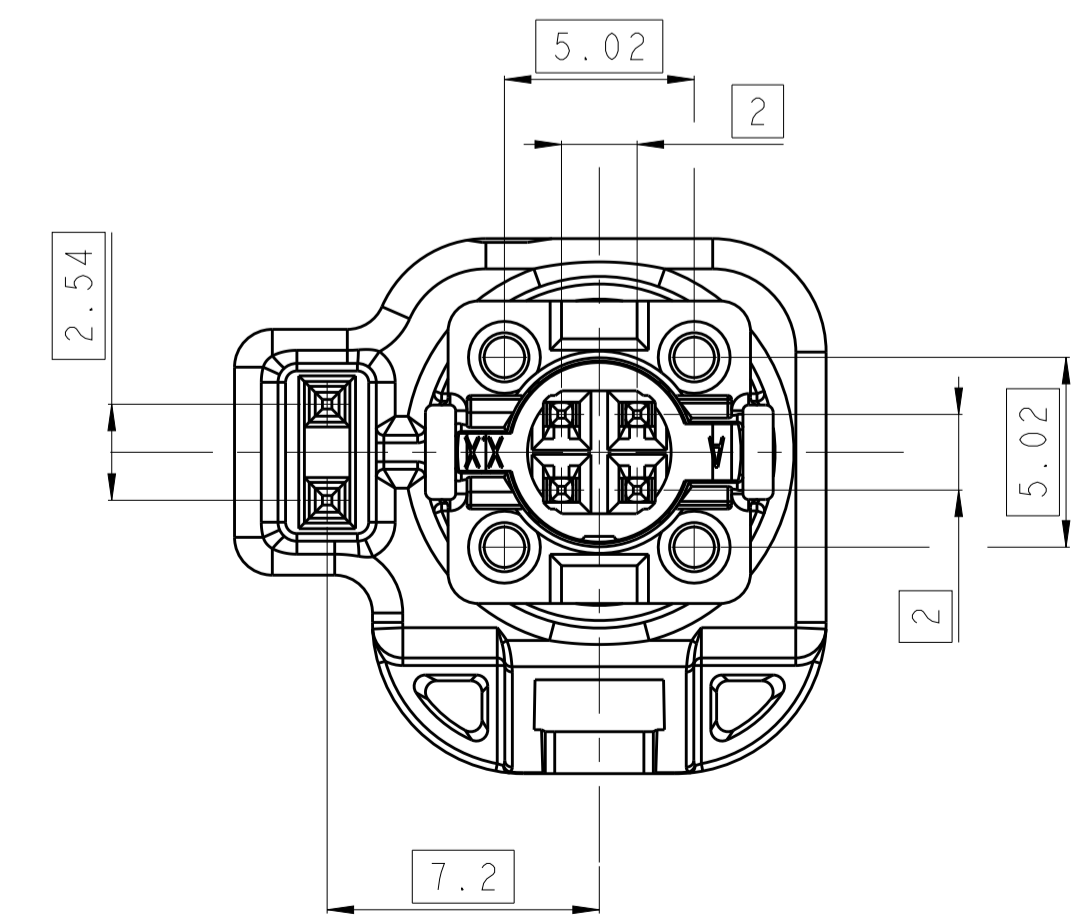
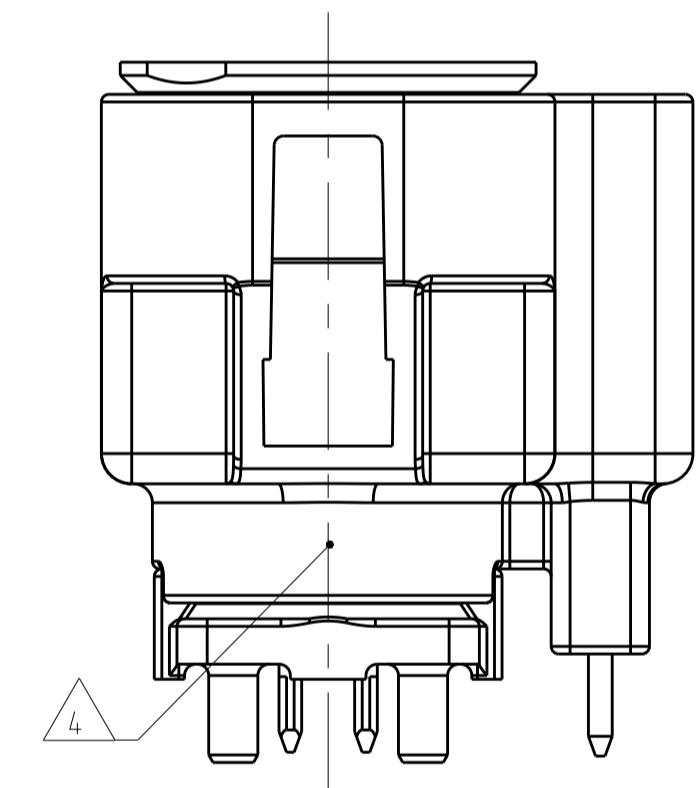
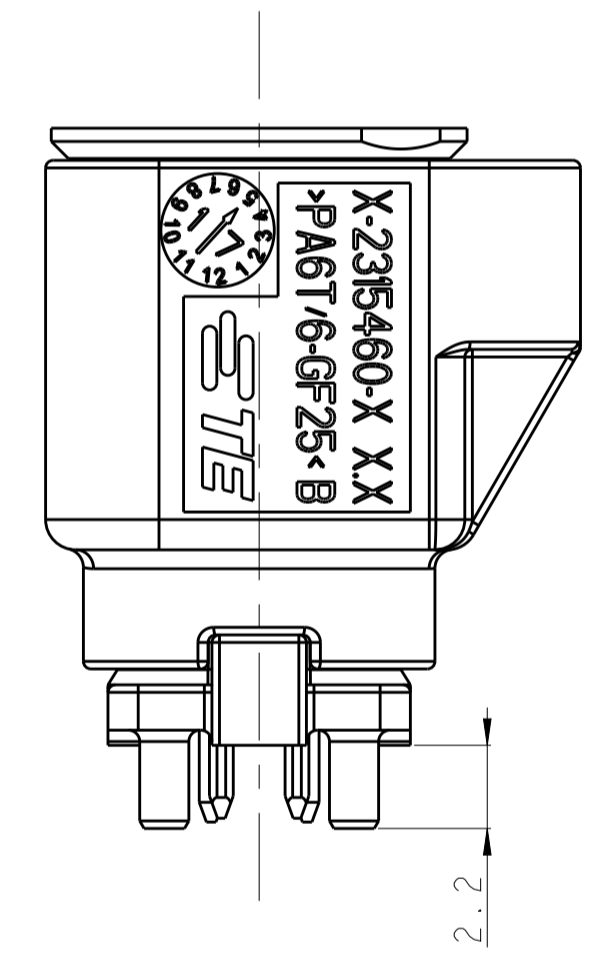
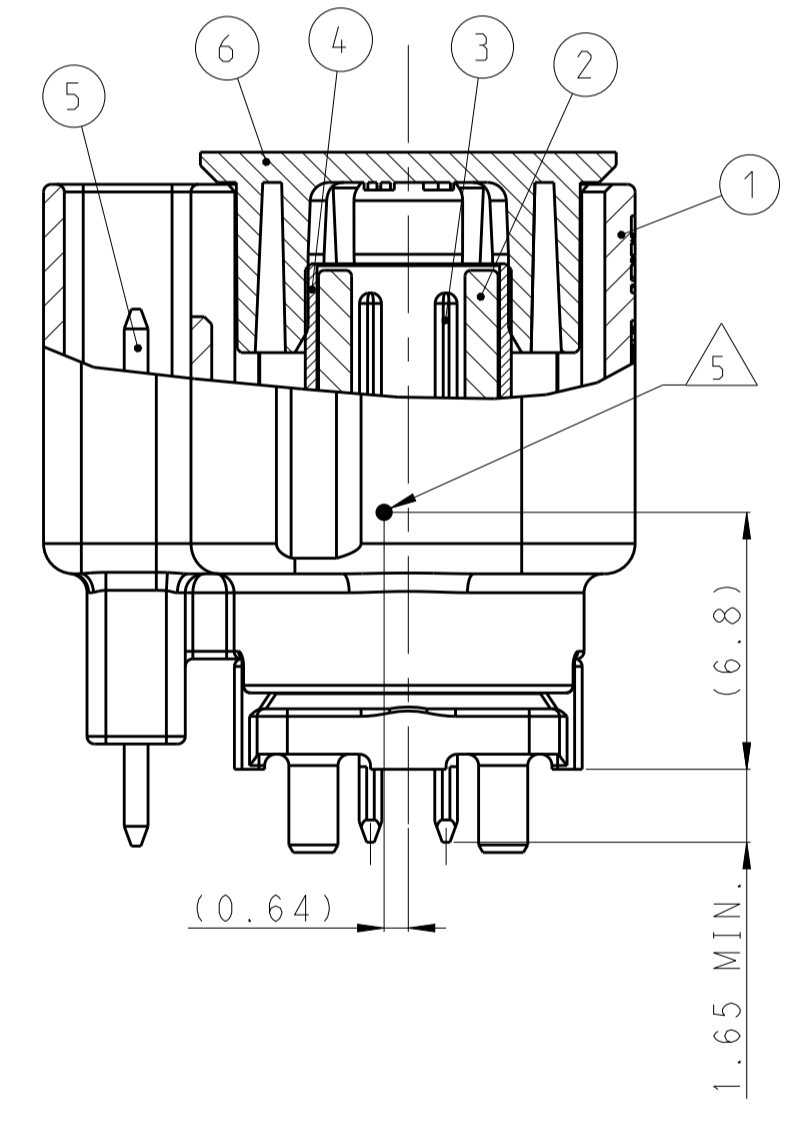
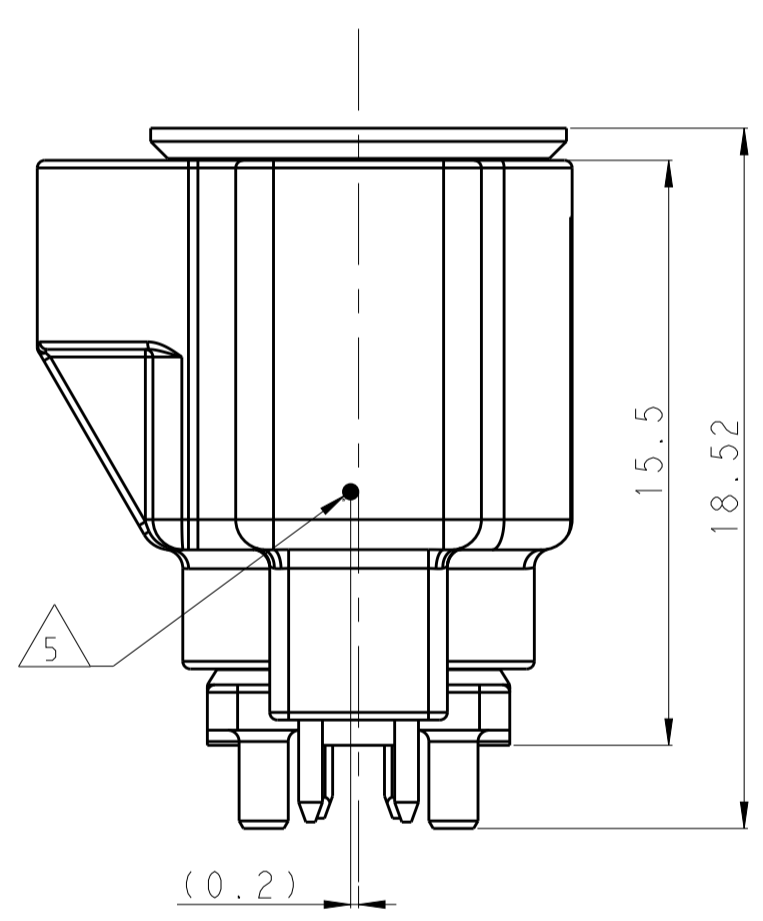
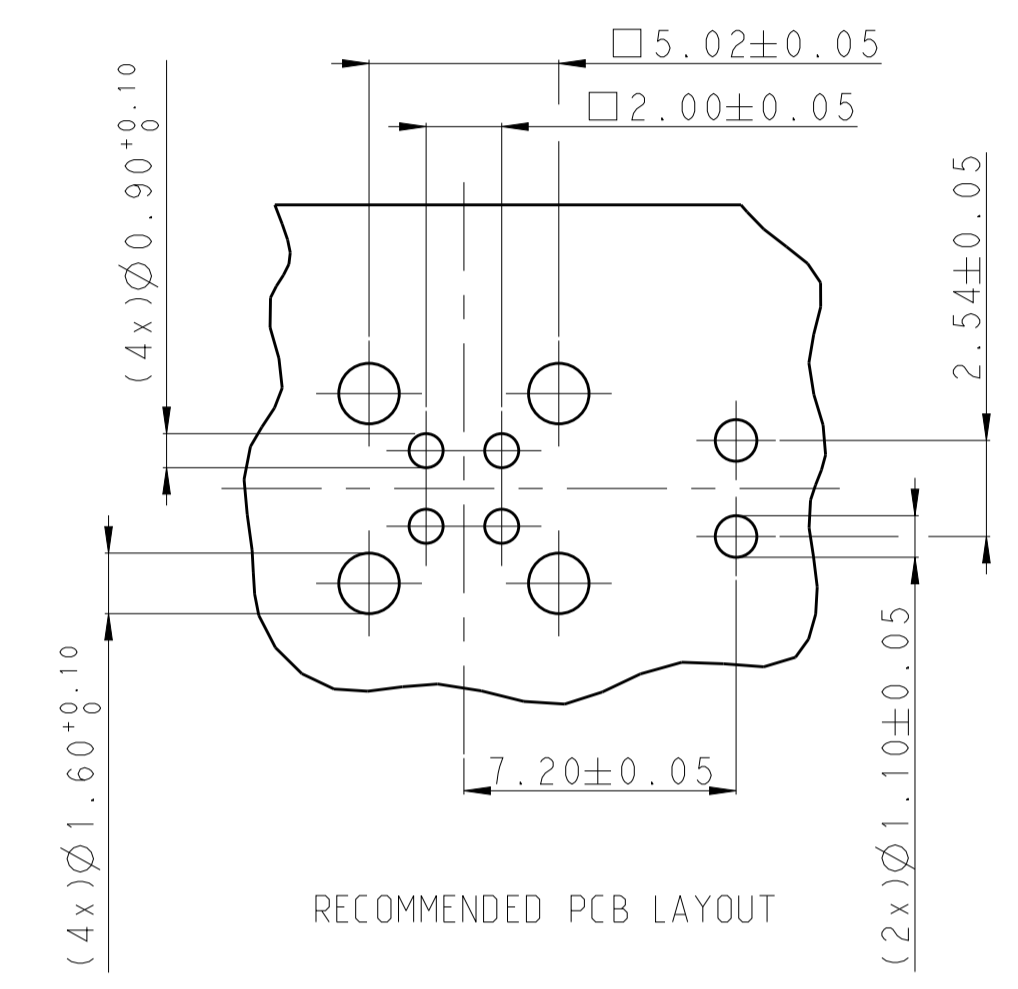
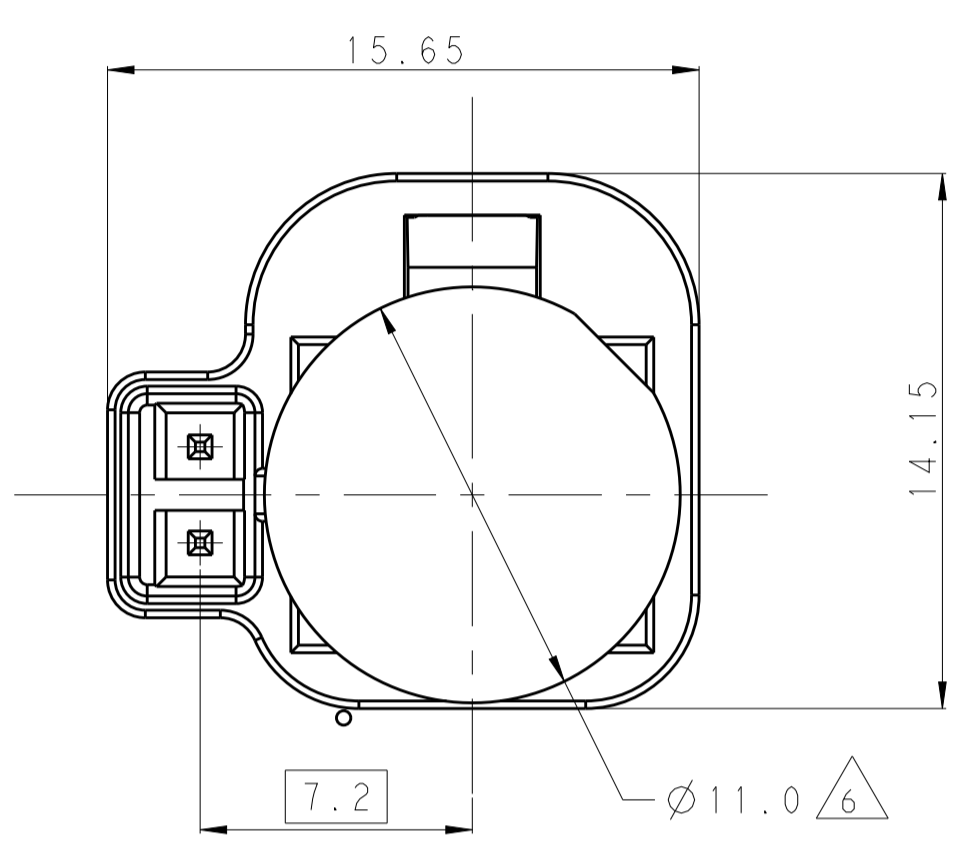


REVISIONS					
REV	LTN	DESCRIPTION	DATE	DMN	APVD
A		INITIAL RELEASE	18OCT18	B.Z	W.W
A1		ECR-19-019964	23DEC19	B.Z	W.W



- 1 HSD INTERFACE DESIGN ARE LEFT TO TE CONNECTIVITY
- 2 ALL DIMENSIONS IN BRACKETS () FOR INFORMATION ONLY
- 3 PACKAGING: TAPE AND REEL
- 4 MARKING OF 100% TEST PASSED
- 5 CENTER OF GRAVITY
- 6 AREA OF VACUUM GRIPPER

WEIGHT (g): 3.2
 AS SHOWN CODING Z



QTY	CODE	DESCRIPTION	MATERIAL	FINISH COLOR, SIMILAR RAL	ITEM NO.
1		PICK-UP CAP	NYLON	BLACK	6
2		MOS PIN	CuSn4	TIN PLATING	5
1		SHIELDING BODY	Zn ALLOY	SOLDER SIDE: TIN PLATING. INTERFACE SIDE(OUTER CONTACT): TIN PLATING.	4
4		CONTACT PIN	CuSn4	SOLDER SIDE: TIN PLATING. INTERFACE SIDE: GOLD PLATING	3
1		CAVITY BLOCK	LCP	BLACK	2
				WATER BULE / 5021	1
				NUT BROWN / 8011	
				LEAF GREEN / 6002	
				CLARET VIOLET / 4004	
				SIGNAL BLUE / 5005	
1				CREAM WHITE / 9001	
1				JET BLACK / 9005	

QUANTITY	CODE	DESCRIPTION	MATERIAL	FINISH COLOR, SIMILAR RAL	ITEM NO.
0-1 0-2 0-3 0-4 0-5 0-6 0-9				ASSY NO. X-2345180-Y	
A B C D E F Z				ASSY CODE	
1 1 1 1 1 1 1				REVISION	

THIS DRAWING IS A CONTROLLED DOCUMENT. DWN: B.ZHANG 18OCT2018
 CHK: C.PAN 18OCT2018
 APVD: W.WILL 18OCT2018

STE TE Connectivity

NAME: 6 POS HSD 180DEG HEADER ASSY WITH PLASTIC CAP

PRODUCT SPEC: 108-101388
 APPLICATION SPEC: 116-32195

SIZE: A1 CAGE CODE: - DRAWING NO: C=2345180
 WEIGHT: -

CUSTOMER DRAWING SCALE: 5:1 SHEET: 1 OF 1 REV: A1

X-ON Electronics

Largest Supplier of Electrical and Electronic Components

Click to view similar products for [Headers & Wire Housings](#) category:

Click to view products by [TE Connectivity](#) manufacturer:

Other Similar products are found below :

[892-18-020-10-001101](#) [58102-G61-06LF](#) [582553-1](#) [0009485154](#) [009176003701906](#) [0050291907](#) [LY20-4P-DT1-P1E-BR](#) [02.125.8002.8](#)
[609-3404](#) [61062-3](#) [61082-181009](#) [622-3653LF](#) [63453-116](#) [636-1030](#) [636-1427](#) [636-3427](#) [636-4007](#) [641938-9](#) [641991-4](#) [644827-2](#) [65817-010LF](#) [65817-015LF](#) [65863-015LF](#) [66207-023LF](#) [67095-007LF](#) [67601157](#) [68645-018](#) [68648-049](#) [70.362.1628.0](#) [70-4210](#) [70-4226B](#) [70-4853B](#) [707-5020](#) [707-5028](#) [71.350.2428.0](#) [71918-208LF](#) [71961-016LF](#) [733-134](#) [733-162](#) [754199-000](#) [760-3052](#) [787-8014-00](#) [79531-3000](#)
[FCN-360C032-B](#) [FCN-367T-T012/H](#) [FCN-723D010/2](#) [80.063.4001.1](#) [800-90-001-10-001000](#) [800-90-010-10-002000](#) [801-43-002-10-013000](#)