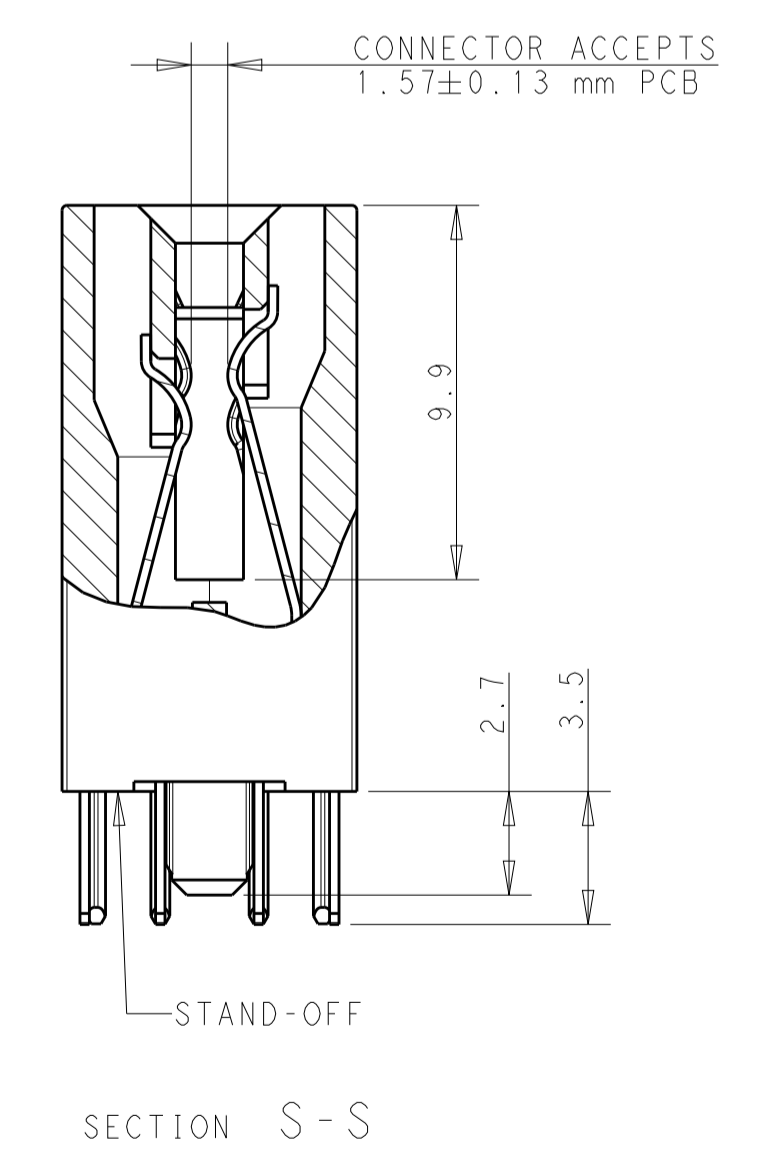
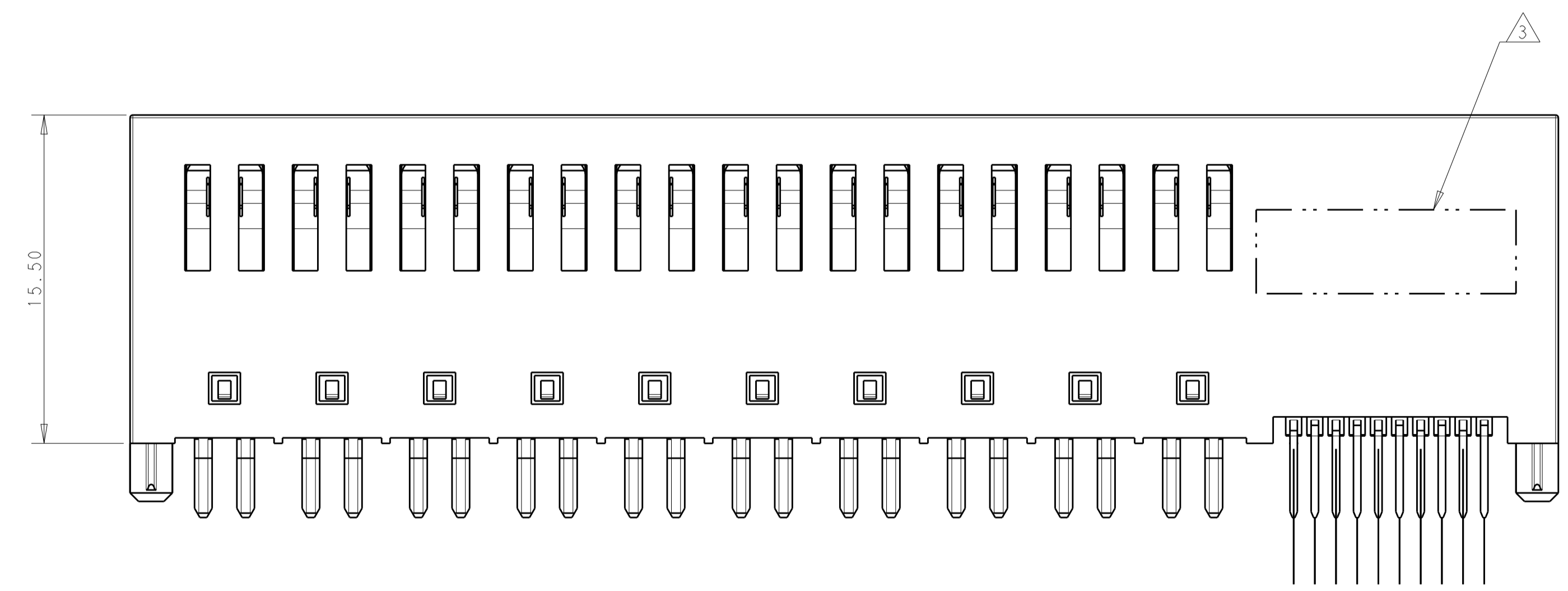
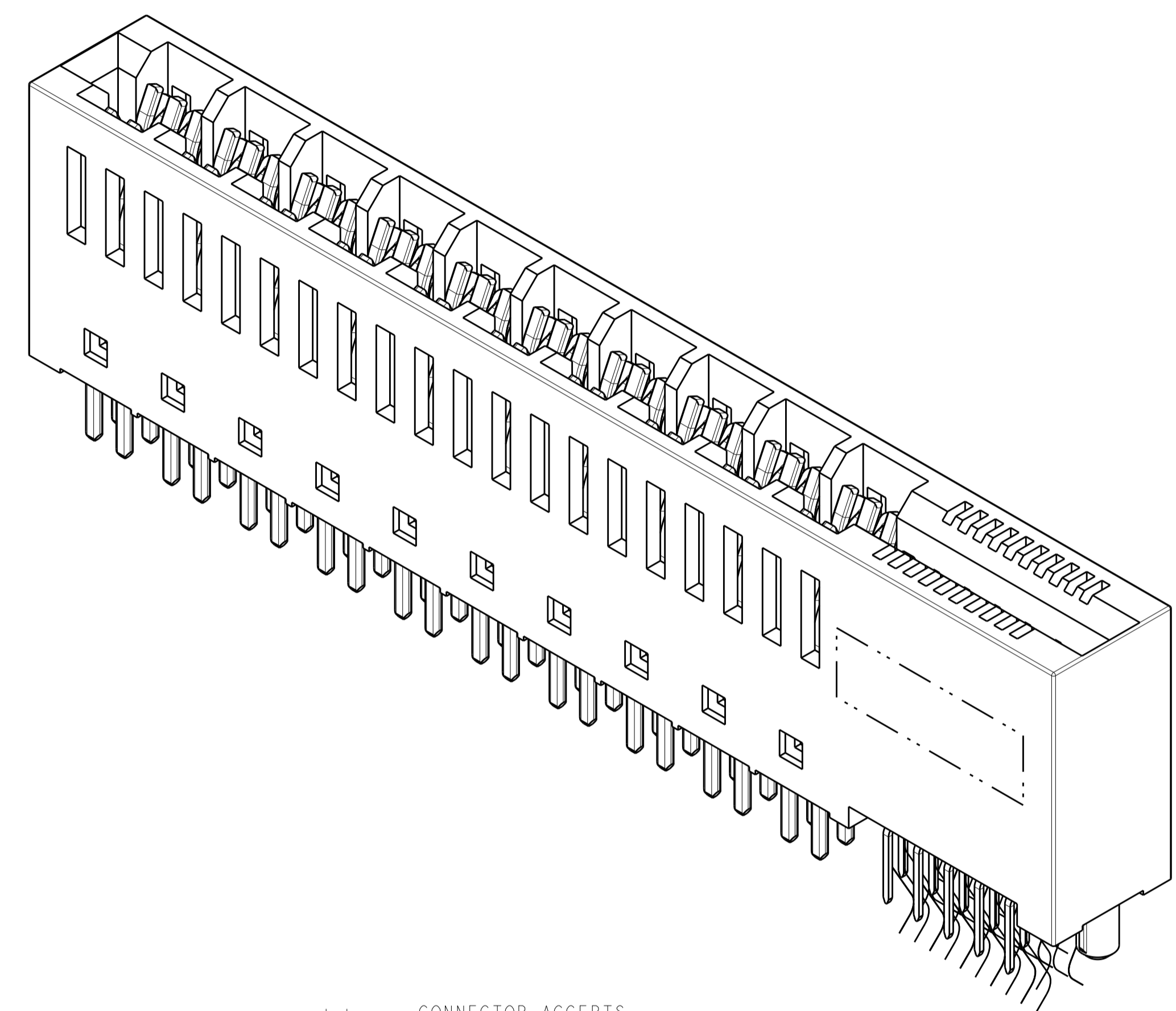
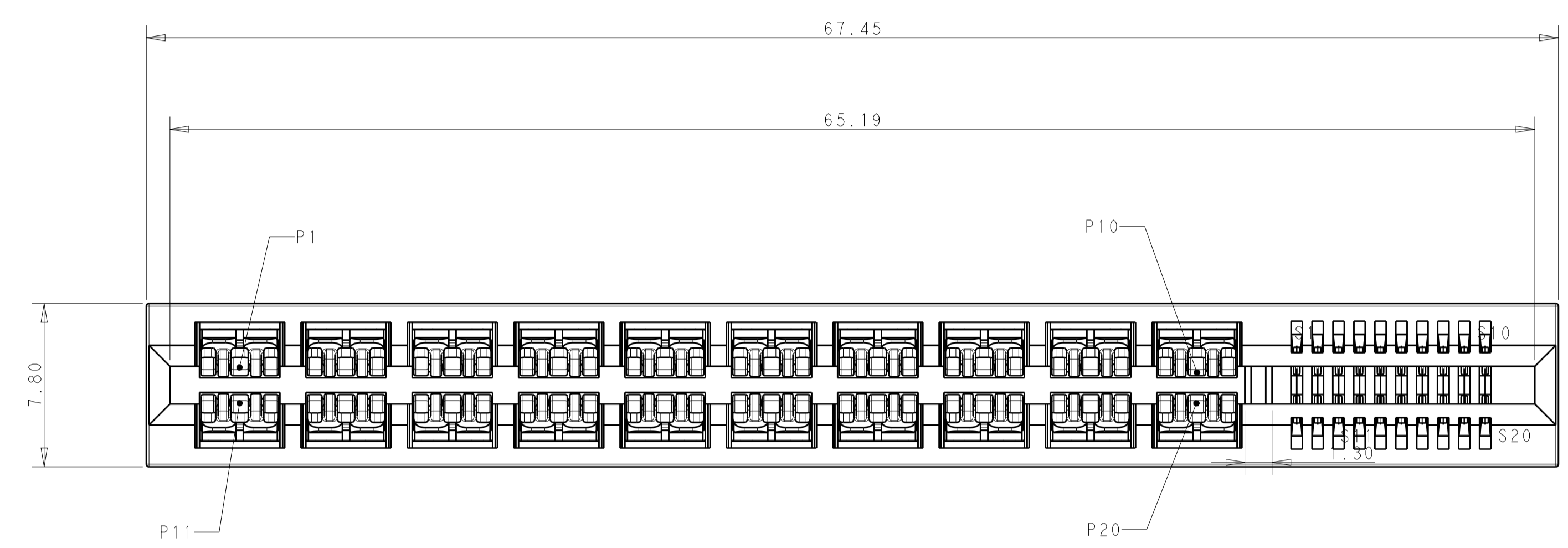


REVISIONS				
P.	LTN	DESCRIPTION	DATE	APVD
1		PROPOSAL	18OCT2018	SZ SZ

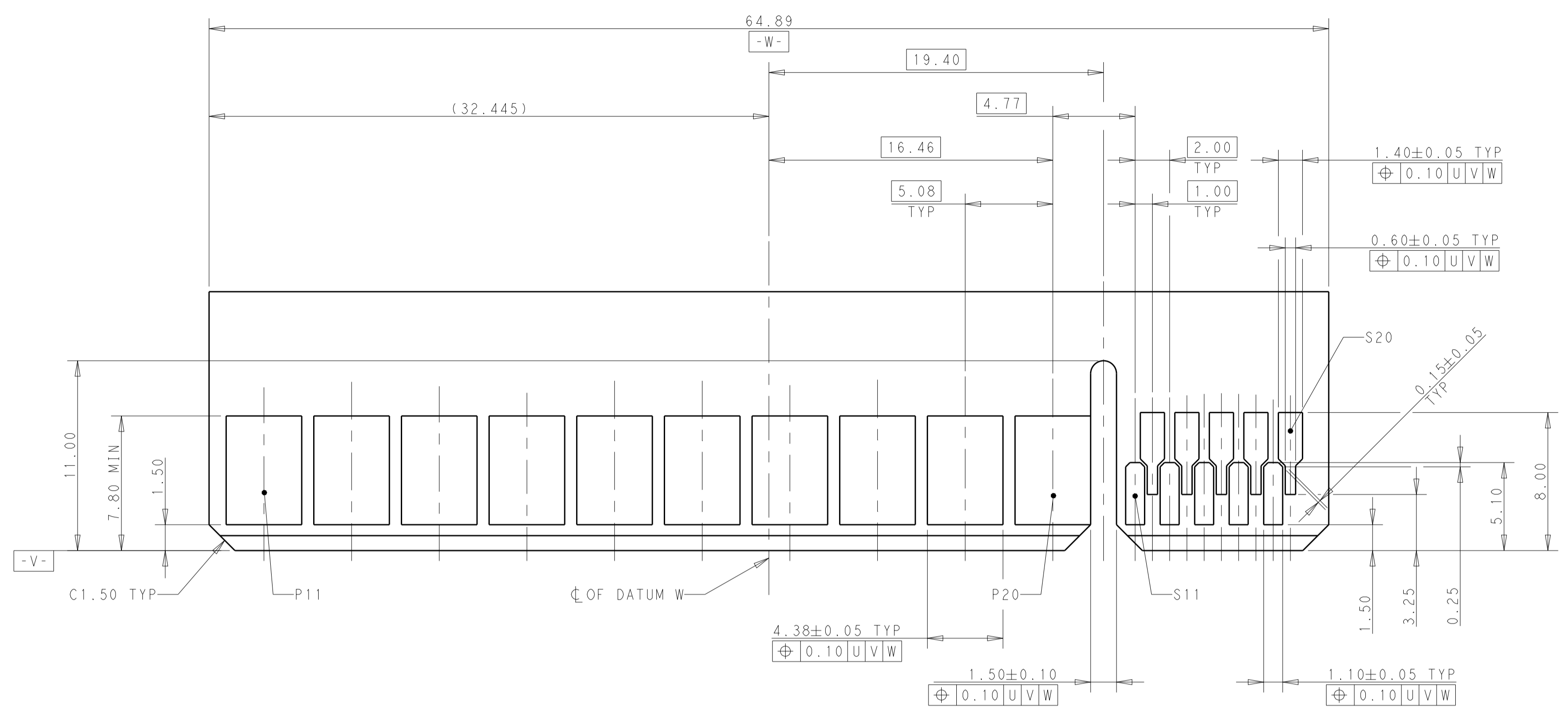
NOTES, UNLESS OTHERWISE SPECIFIED
 1. MATERIAL:
 HOUSING - THERMOPLASTIC, GLASS PREINFORCED, COLOR, BLACK, UL 94V-0
 CONTACTS- COPPER ALLOY.
 2. FINISH:
 MATING AREA - NOBLE METAL OVERALL NICKEL.
 SOLDER TAIL - MATTE TIN OVERALL NICKEL.
 ⚠️ MARK P/N AND DATA CODE IN APPROX. AREA AS SHOWN.



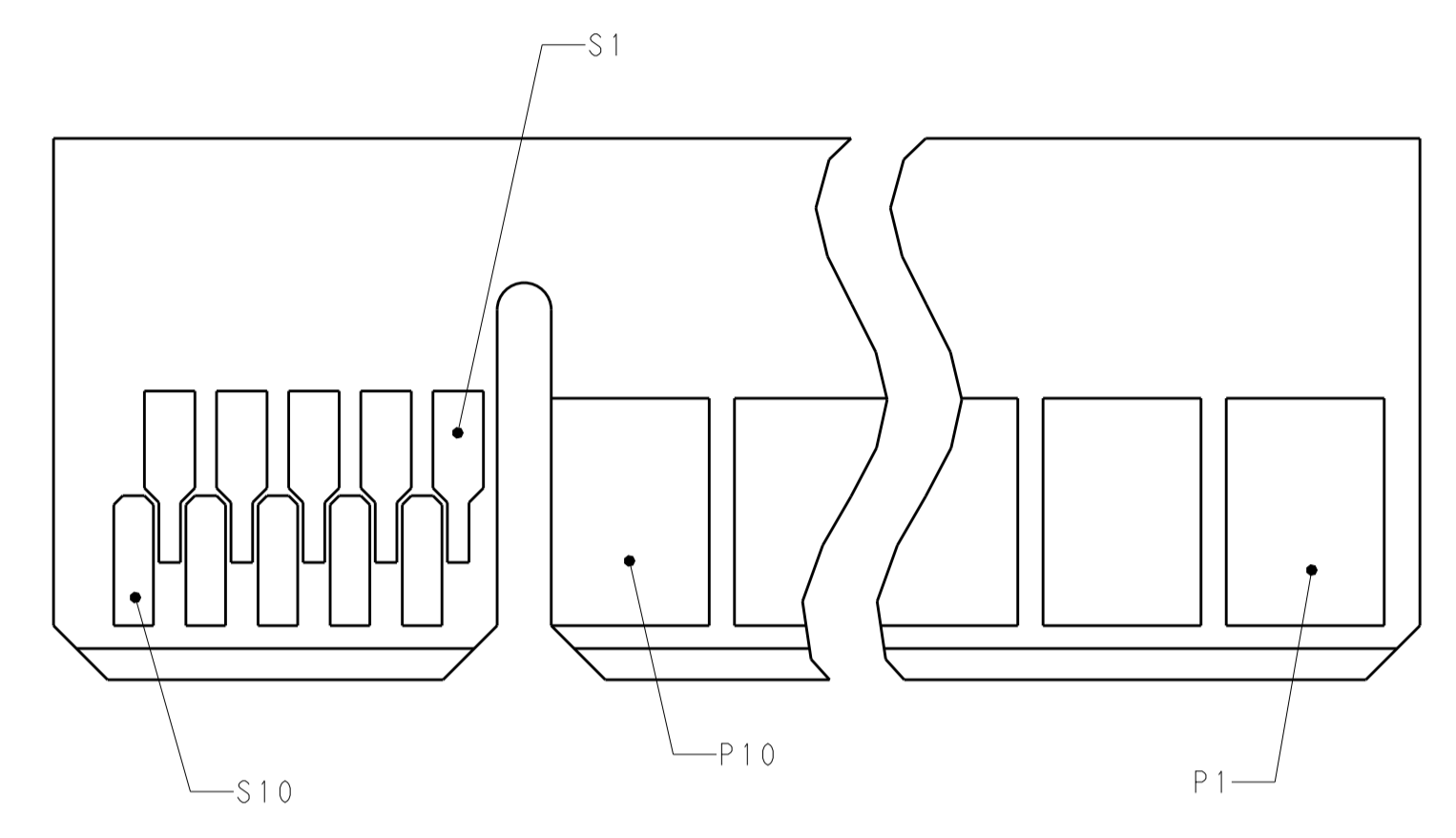
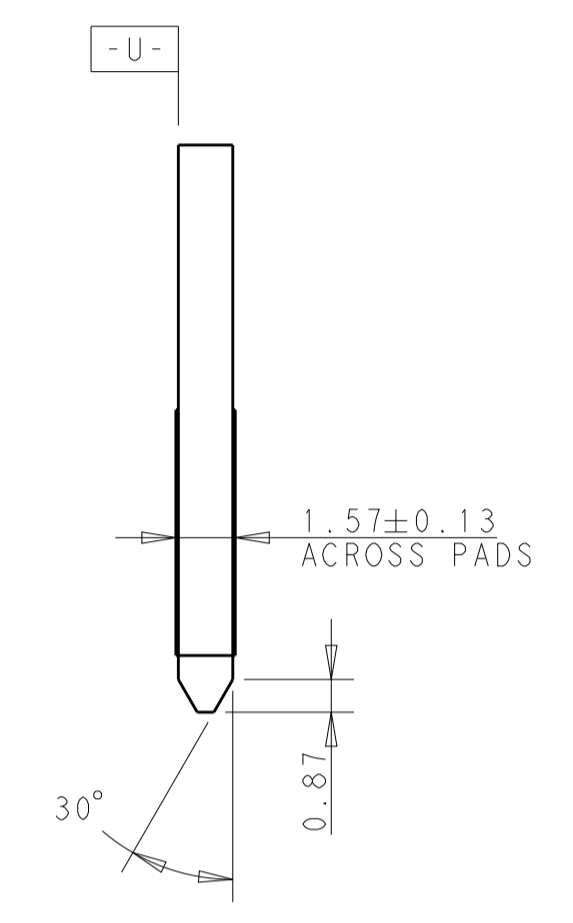
PART NUMBER 2345246-1

THIS DRAWING IS A CONTROLLED DOCUMENT.		DWN: SEAN_ZHANG 18OCT2018	TE Connectivity	
DIMENSIONS: mm		CHK: SUNYI_ZHAO 18OCT2018	NAME: HD+ CARD EDGE VERTICAL, 2X10P-2X10S	
TOLERANCES UNLESS OTHERWISE SPECIFIED:		APVD: SUNYI_ZHAO 18OCT2018	PRODUCT SPEC	
0 PLC ±0.50		APPLICATION SPEC	SIZE: A100779C=2345246	
1 PLC ±0.25		RESTRICTED TO	SCALE: 5:1 SHEET 1 OF 2 REV A	
2 PLC ±0.15		CUSTOMER DRAWING		
3 PLC ±0.10				
4 PLC ±0.05				
ANGLES ±0.5				
FINISH: SEE NOTE				

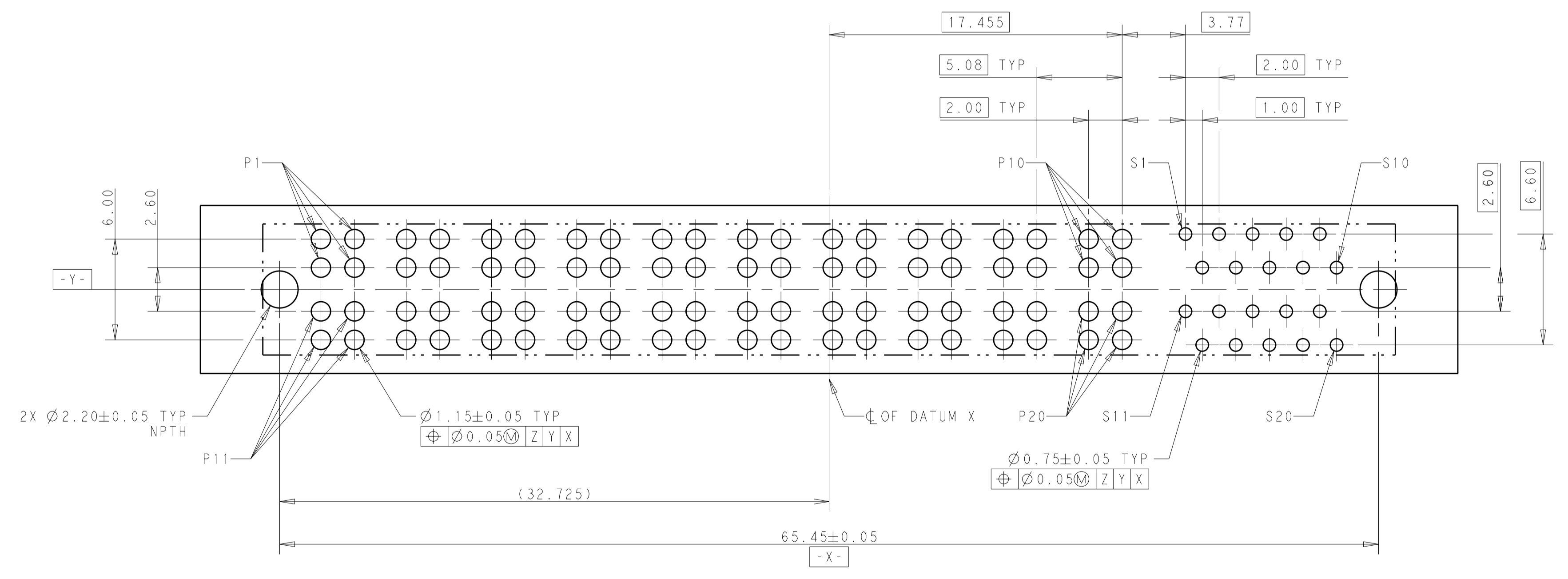
REVISIONS				
P.	LTM	DESCRIPTION	DATE	APVD
-	-	SEE SHEET 1	-	-



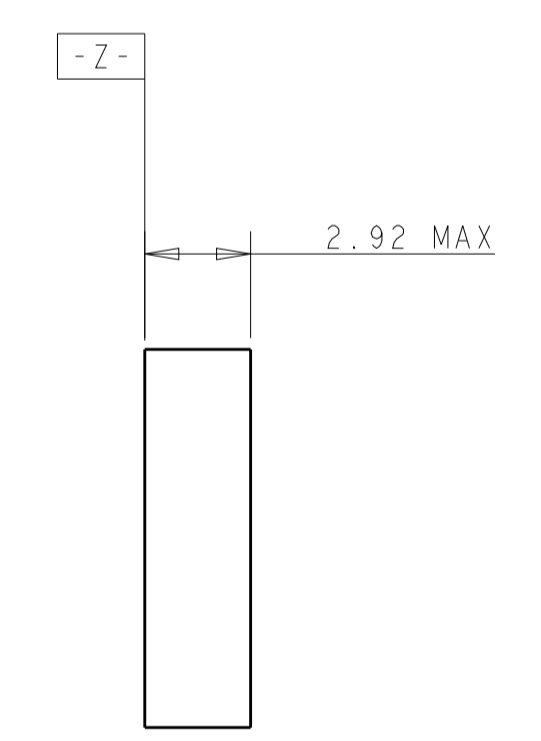
RECOMMENDED MATING BOARD EDGE CONFIGURATION (PRIMARY SIDE SHOWN)



RECOMMENDED MATING BOARD EDGE CONFIGURATION (SECONDARY SIDE SHOWN)



RECOMMENDED MOUNTING BOARD CONFIGURATION LAYOUT VIEW FROM COMPONENT SIDE



- NOTES FOR MOUNTING BOARD, UNLESS OTHERWISE SPECIFIED:
1. PLATED THROUGH HOLE, SIGNAL:
FINISHED HOLE SIZE: 0.75mm.
DRILL HOLE SIZE: 0.85±0.025mm.
 2. PLATED THROUGH HOLE, POWER:
FINISHED HOLE SIZE: 1.15mm.
DRILL HOLE SIZE: 1.25±0.025mm.
 3. COPPER PLATING THICKNESS: 0.025-0.05mm.
 4. SURFACE FINISH: OSP OR IMMERSION TIN PLATING IS RECOMMENDED.

THIS DRAWING IS A CONTROLLED DOCUMENT.		DWN: SEAN_ZHANG 18OCT2018	TE Connectivity
DIMENSIONS: mm		CHK: SUNY_ZHAO 18OCT2018	
TOLERANCES UNLESS OTHERWISE SPECIFIED: 0 PLC ± 1 PLC ±0.20 2 PLC ±0.10 3 PLC ± 4 PLC ± ANGLES ±		NAME: HD+ CARD EDGE VERTICAL, 2X10P-2X10S	RESTRICTED TO: - SCALE: 5:1 SHEET 2 OF 2 REV A
MATERIAL: SEE NOTE		FINISH: SEE NOTE	
CUSTOMER DRAWING		SIZE: A100779	DRAWING NO: C=2345246

X-ON Electronics

Largest Supplier of Electrical and Electronic Components

Click to view similar products for [Standard Card Edge Connectors](#) category:

Click to view products by [TE Connectivity](#) manufacturer:

Other Similar products are found below :

[CR7E-30DB-3.96E\(72\)](#) [6364499-1](#) [6565204-6](#) [PKC-156](#) [1437274-4](#) [147889-1](#) [1489165-4](#) [EBT15622B2X](#) [1-582587-1](#) [284-0102-12100](#)
[286-0052-12101A](#) [306022901000000](#) [307-012-502-202](#) [307-056-520-300](#) [2129318-1](#) [245-062-520-350](#) [287-0032-12101](#) [306-028-525-102](#)
[307-072-526-202](#) [345-060-559-303](#) [392-008-559-201](#) [534671-1](#) [341-240-317](#) [345-044-500-300](#) [346-240-318](#) [395-100-524-300](#) [09-07-2032](#)
[10035388-802LF](#) [10115859-011LF](#) [10122859-009LF](#) [10127905-B04B24BLF](#) [530555-1](#) [5-678046-1](#) [73726-0005](#) [66308-1](#) [1-1437275-6](#)
[PEC-07-02-T-S-A](#) [346-014-520-801](#) [307-048-502-202](#) [CE100F22-9-C](#) [CE100F26-7-C](#) [CE100F28-3-D](#) [CE156F18-9-C](#) [CE156F22-5-D](#)
[CE156F22-9-C](#) [CT100F22-2-D](#) [CT100F22-3-D](#) [CT100F24-2-D](#) [CT100F24-3-D](#) [CT100F24-6-C](#)