

THIS DRAWING IS UNPUBLISHED.

RELEASED FOR PUBLICATION

-. - .

© COPYRIGHT - TE Connectivity Ltd.

ALL RIGHTS RESERVED.

REVISIONS

P	LTR	DESCRIPTION	DATE	DWN	APVD
B		REVISED PER ECR-20-013621	24SEP2020	R.M	S.H

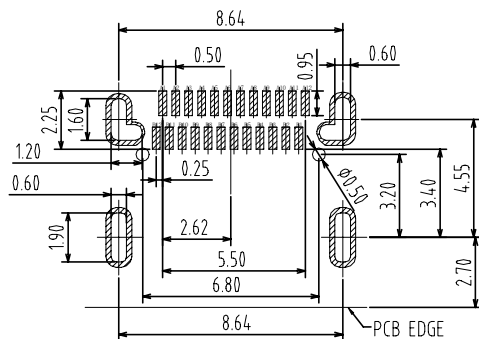
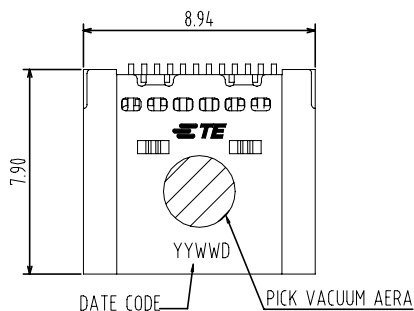
SPECIFICATION:

- CURRENT RATING: 3A MAX
 - VOLTAGE: 100 VAC
 - TEMPERATURE RANGE: -30 °C ~ 85 °C
 - CONTACT RESISTANCE: 40 MILLIONHM MAX
 - INSULATION RESISTANCE: 100 MEGOHMS MIN.
 - INSERTION FORCE : 5N ~ 20N
 - UNMATING FORCE: 8N ~ 20N
 - DURABILITY: 10,000 CYCLES
- OVERALL MATING FORCE AFTER DURABILITY: 0.60 KGF Min.

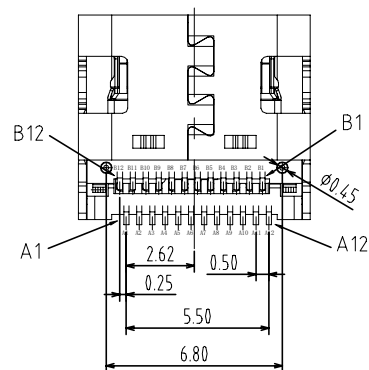
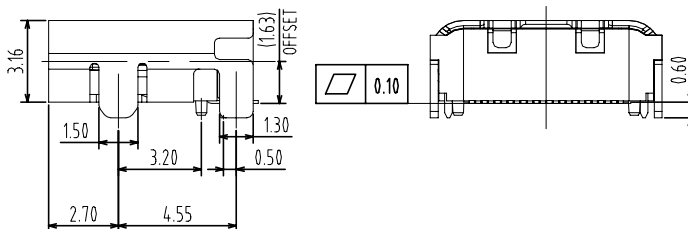
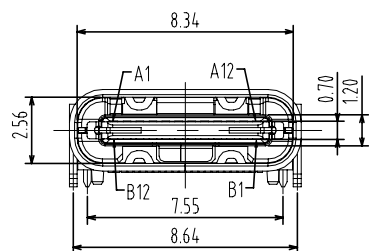
A1	GND	B12	GND
A2	TX1+	B11	RX1+
A3	TX1-	B10	RX1-
A4	VBUS	B9	VBUS
A5	CC1	B8	SBU2
A6	DP1	B7	DN2
A7	DN1	B6	DP2
A8	SBU1	B5	CC2
A9	VBUS	B4	VBUS
A10	RX2-	B3	TX2-
A11	RX2+	B2	TX2+
A12	GND	B1	GND
PIN	SIGNAL NAME	PIN	SIGNAL NAME

30U"	2345986-3
15U"	2345986-2
G/F	2345986-1
GOLD PLATING THICKNESS	TEPN

NO.	DESCRIPTION	MATERIAL	REMARKS	QTY
6	SHELL	STAINLESS STEEL	NI Plated	1PCS
5	SHIELDING PLATE	STAINLESS STEEL	---	1PCS
4	CLIP HOOK	STAINLESS STEEL	NI Plated	1PCS
3	CONTACT	COPPER ALLOY	Au PLATING /NI Plated	1SET
2	CONTACT	COPPER ALLOY	Au PLATING /NI Plated	1SET
1	HOUSING	HIGH TEMPERATURE PLASTIC	BLACK	1PCS



RECOMMENDED P.C.B. LAYOUT
TOLERANCE UNSPECIFIED ±0.05mm



THIS DRAWING IS A CONTROLLED DOCUMENT.

DWN R.ZHANG 30OCT2018	<p>TE Connectivity</p> <p>USB TYPE C 3.1 CONN. WITH 1.63 OFFSET TOP MOUNT DUAL ROW SMT TYPE</p>
CHK R.MA 30OCT2018	
APVD S.LI 30OCT2018	
NAME	
DIMENSIONS: mm	PRODUCT SPEC
TOLERANCES UNLESS OTHERWISE SPECIFIED: 0 PLC ± - 1 PLC ± 0.35 2 PLC ± 0.25 3 PLC ± 0.15 4 PLC ± - ANGLES ± 3'	APPLICATION SPEC
MATERIAL	WEIGHT
	CUSTOMER DRAWING
	SCALE 1:1
	SHEET 1 OF 2
	REV B
	RESTRICTED TO
	SIZE A3
	CAGE CODE 00779
	DRAWING NO. C=2345986

THIS DRAWING IS UNPUBLISHED.

RELEASED FOR PUBLICATION

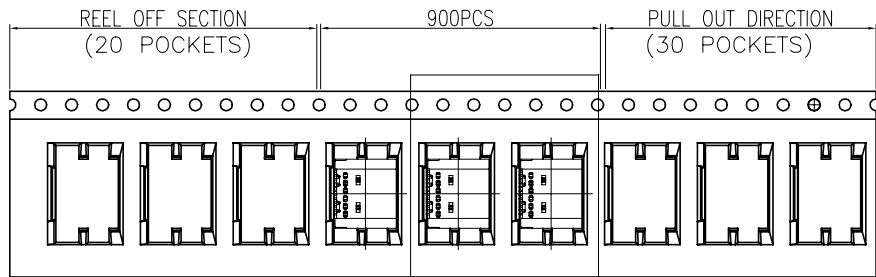
-. - .

© COPYRIGHT - TE Connectivity Ltd.

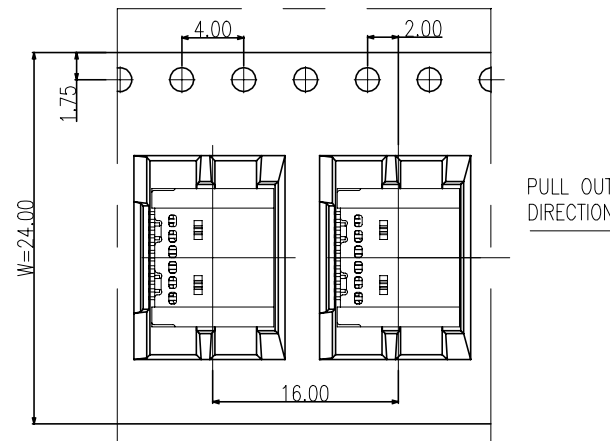
ALL RIGHTS RESERVED.

REVISIONS

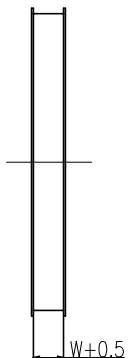
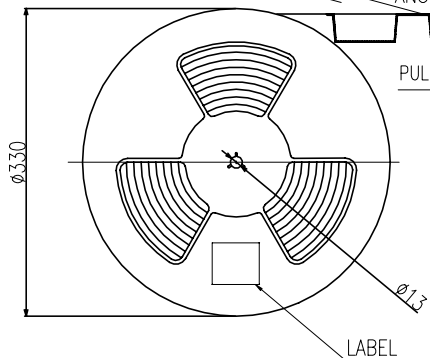
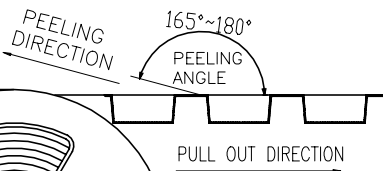
P	LTR	DESCRIPTION	DATE	DWN	APVD
-	-	SEE SHEET 1	-	-	-



REEL OFF DIRECTION



SEE DETAIL X



PE BAG

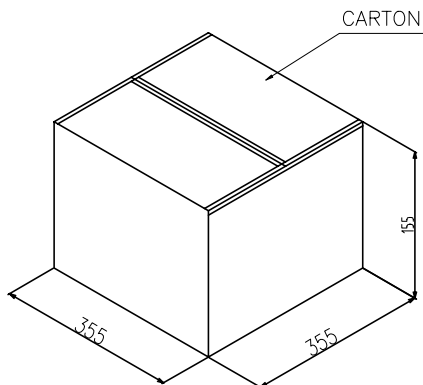
REEL AND TAPE

REEL AND TAPE

FOLDER PAPER BOARD

B

A



	REEL	CARTON
CONNECTOR (PCS)	900	4500

THIS DRAWING IS A CONTROLLED DOCUMENT.

DIMENSIONS:	
mm	
	± -
	± 0.35
	± 0.25
	± 0.15
	± -
	± 3'
MATERIAL	-
FINISH	-

DWN	R.ZHANG	30OCT2018
CHK	R.MA	30OCT2018
APVD	S.LI	30OCT2018
PRODUCT SPEC	-	-
APPLICATION SPEC	-	-
WEIGHT	-	-
CUSTOMER DRAWING		

TE TE Connectivity

NAME
USB TYPE C 3.1 CONN. WITH 1.63 OFFSET TOP MOUNT DUAL ROW SMT TYPE

SIZE	CAGE CODE	DRAWING NO	RESTRICTED TO
A3	00779	C=2345986	-
SCALE 1:1		SHEET 2 of 2	REV B

X-ON Electronics

Largest Supplier of Electrical and Electronic Components

Click to view similar products for [USB Connectors](#) category:

Click to view products by [TE Connectivity](#) manufacturer:

Other Similar products are found below :

[950](#) [A-USB A-LP-SMT-C](#) [A-USB B-TOP-C](#) [MUSBD11135](#) [17-200721](#) [217450-1](#) [KMBVX-TH-5S-B30](#) [KUSBX-AS2N-W](#) [KUSBX-SMT2AP1S-W30](#) [935](#) [957](#) [30-498-6](#) [SK-60A-2](#) [1734082-1](#) [30-470](#) [30-489](#) [30-541](#) [MIKROE-1451](#) [USBFTVSCCG](#) [1-1734084-2](#)
[10135326-001LF](#) [USB3FTV7APEG](#) [4198](#) [1310-1023-02](#) [690-024-633-031](#) [UB-20PMFP-LC7001](#) [17-200011](#) [UB-20AFMM-LL7A01](#)
[1040870124](#) [CAP-WCCMLPB1](#) [2274475-3](#) [UB-20BMFA-SL8001](#) [UB-20BFM-SA7A02](#) [UB-20BFM-SA7A05](#) [914-614A2025S10200](#)
[MUSBR-AHD2-M41-SK](#) [ZX40-B-5S-1500-STDA\(30\)](#) [GSB3116344HR](#) [USB3FTV2SAZNF459](#) [USBF21GSCC](#) [U221-041N-1WVS62-F5D](#)
[HYCW153-USBD05-500B](#) [HYCW219-USBD05-075B](#) [HYCW148-USBD05-117B](#) [HYCW149-USBD05-740B](#) [HYCW204-USBD05-108B](#)
[HYCW214-USBA04-113B](#) [HYCW213-USBA04-113B](#) [UB-20AMFM-SL7A01](#) [KMMX-BSMT35S-1-B30TR](#)