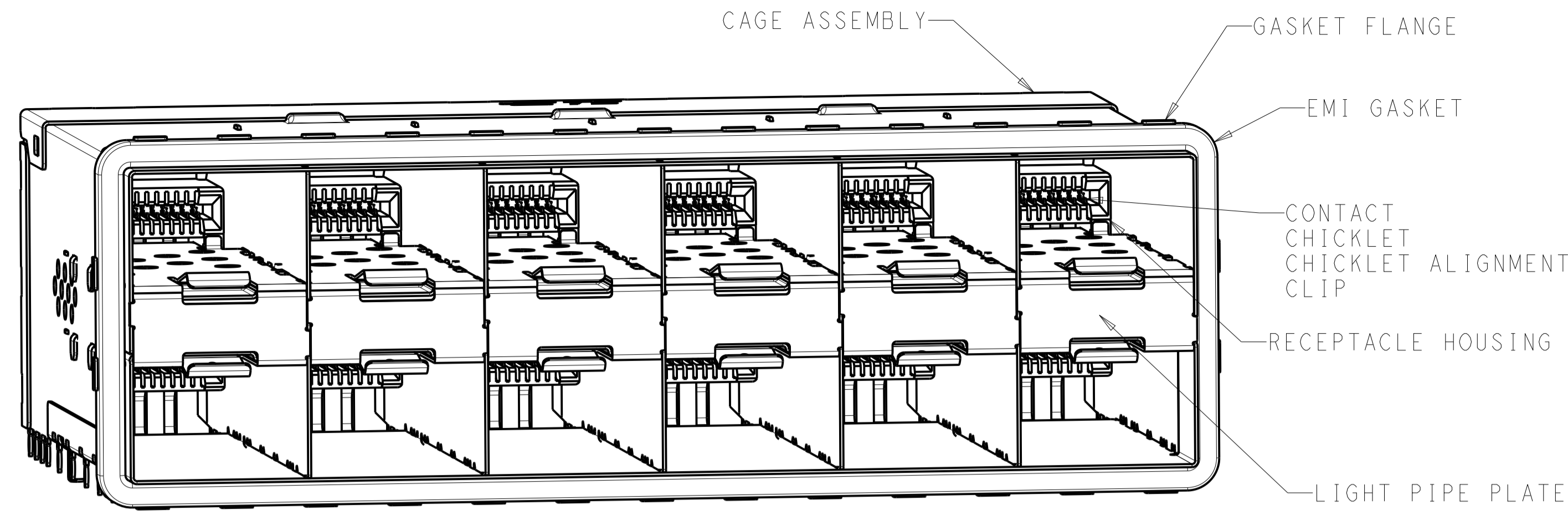


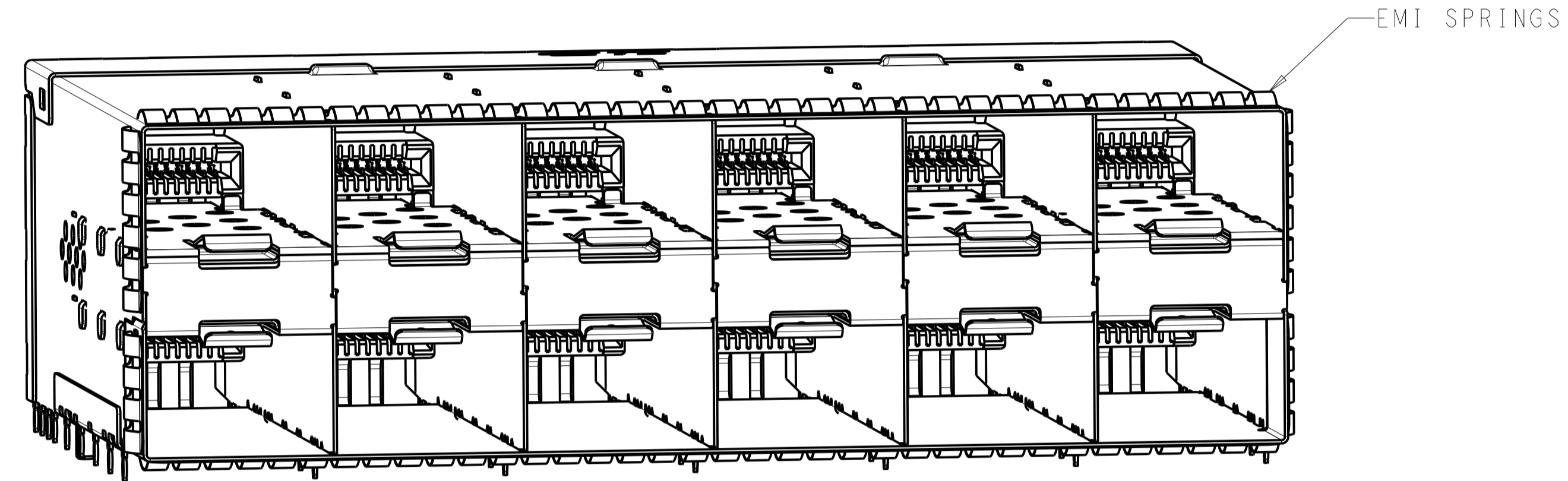
LOC	DIST	REVISIONS			
GP	00	REV	DATE	BY	APPV
A		PRODUCTION RELEASE	05JUN2019	JW	SH
B		REVISE PER ECN-21-103317	02JUL2020	JY	SH



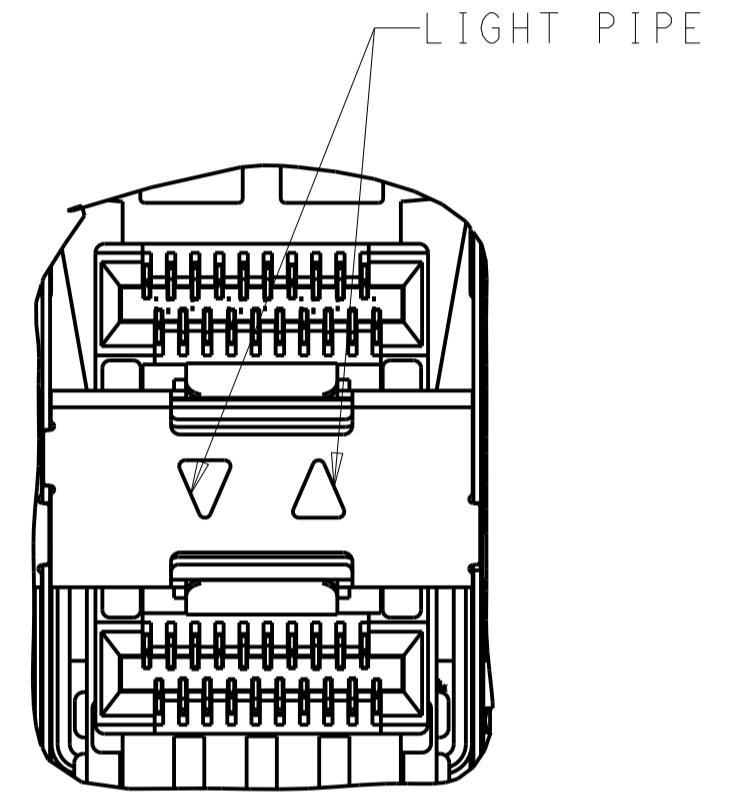
2347721-1
SCALE 3:1

1. MATERIALS:
 CAGE ASSEMBLY - NICKEL-SILVER ALLOY PER ASTM B 122
 CONNECTOR HOUSING - LCP, BLACK, UL 94V-0 RATED
 CHICKLET - LCP, BLACK, UL 94V-0 RATED
 CHICKLET ALIGNMENT CLIP - LCP, BLACK, UL 94V-0 RATED
 CONTACT - COPPER ALLOY
 EMI GASKET - ELASTOMERIC
 GASKET FLANGE - STAINLESS STEEL
 EMI SPRINGS - PHOSPHOR BRONZE PER ASTM B 103,
 0.8µm MIN TIN PER ASTM B 545
 LIGHT PIPE - POLYCARBONATE
 LIGHT PIPE PLATE - STAINLESS STEEL
2. CONTACT FINISH:
 CONFORMS TO THE REQUIREMENTS OF PRODUCT SPECIFICATION 108-2481, BASED ON EIA/ECA-364-1000.01A, (CONTROLLED ENVIRONMENT APPLICATIONS) ON MATING INTERFACE, TIN ON NEEDLE EYE
3. PCB MINIMUM THICKNESS = 1.5mm

- △ FOR HOLE SIZE AND PLATINGS, SEE APPLICATION SPECIFICATION 114-13319
- △ LIGHT PIPE PAD LAYOUT IS FOR 0805 LOW PROFILE LED PACKAGE WITH A HEIGHT OF 0.8mm
- △ DIMENSIONS APPLY FOR EMI SPRINGS ONLY
- △ THE ENTIRE AREA OF THE CONNECTOR FOOTPRINT, INDICATED BY THE DASHED LINE, TO BE CONSIDERED THE KEEPOUT AREA FOR COMPONENTS AND SIGNAL TRACES, TOP SIDE ONLY, TOP SIDE TRACES ALLOWED WITHIN CONNECTOR HOLE PATTERN

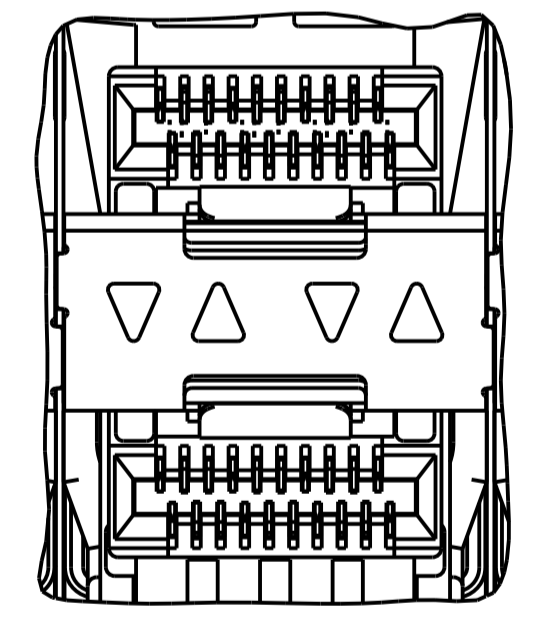


2347721-5
SCALE 3:1

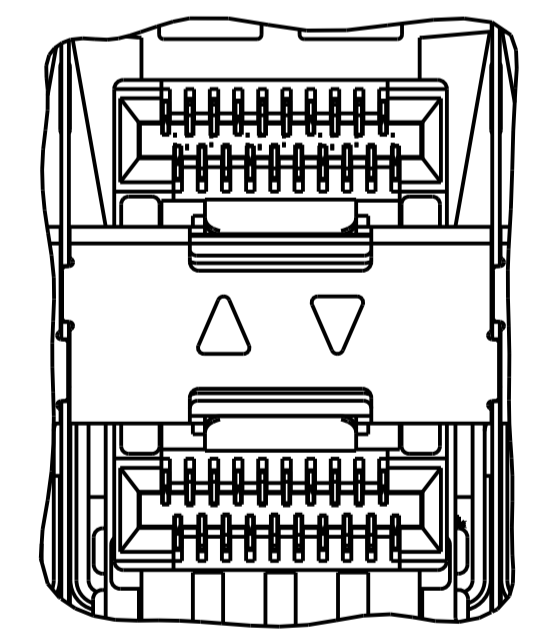


REVERSED INNER LIGHT PIPES
2-2347721-1, 1-2347721-3
SCALE 4:1

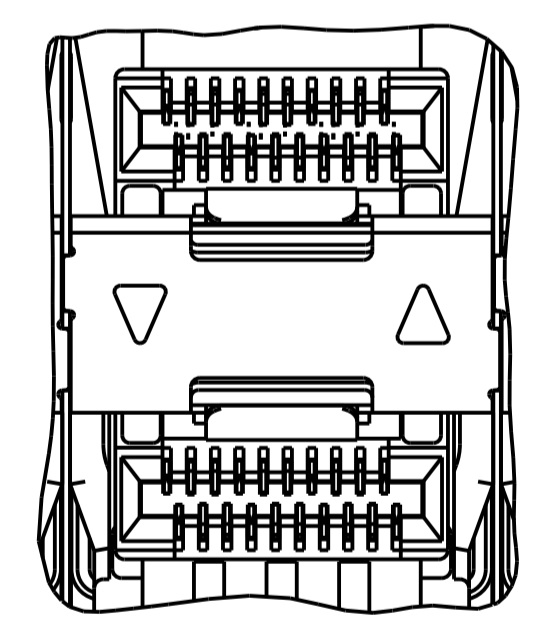
88	EMI SPRING AIRFLOW ENHANCE TYPE	REVERSED OUTER	3-2347721-3
88	EMI SPRING AIRFLOW ENHANCE TYPE	NONE	3-2347721-1
90.75	EMI GASKET AIRFLOW ENHANCE TYPE	NONE	3-2347721-0
88	EMI SPRINGS	REVERSED INNER	2-2347721-1
		REVERSED OUTER	2-2347721-0
		CENTER/REVERSED OUTER	1-2347721-9
90.75	EMI GASKET	REVERSED OUTER	1-2347721-8
		CENTER/REVERSED OUTER	1-2347721-7
88	EMI SPRINGS WITH NICKEL PLATING ONLY	REVERSED INNER	1-2347721-3
		OUTER	1-2347721-2
		INNER	1-2347721-1
		INNER/OUTER	1-2347721-0
		NONE	2347721-9
88	EMI SPRINGS	OUTER	2347721-8
		INNER	2347721-7
		INNER/OUTER	2347721-6
		NONE	2347721-5
90.75	EMI GASKET	OUTER	2347721-4
		INNER	2347721-3
		INNER/OUTER	2347721-2
(E)	CAGE TYPE	NONE	2347721-1
		OUTER	2347721-4
		INNER	2347721-3
(E)	CAGE TYPE	LIGHT PIPE CONFIGURATION	PART NUMBER



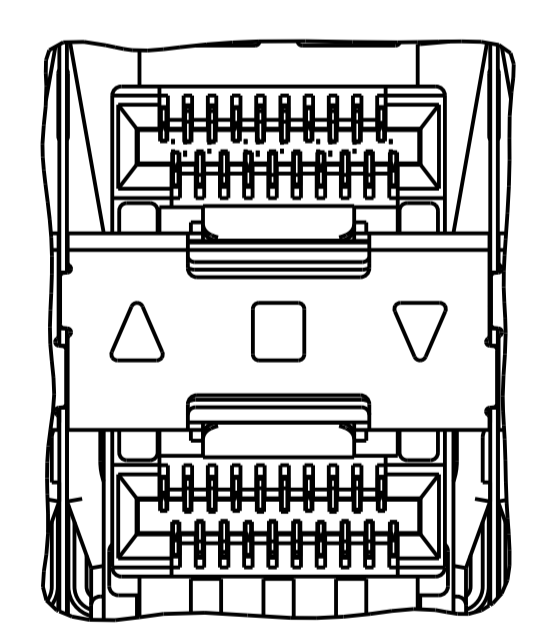
INNER/OUTER LIGHT PIPES
2347721-2, 2347721-6
SCALE 4:1



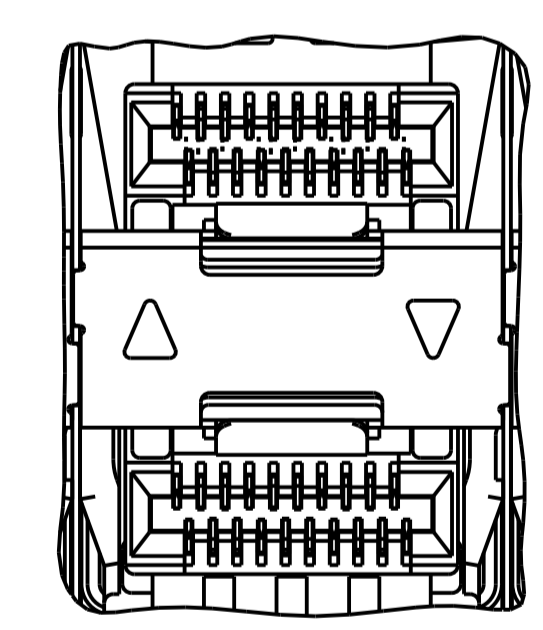
INNER LIGHT PIPES
2347721-3, 2347721-7
SCALE 4:1



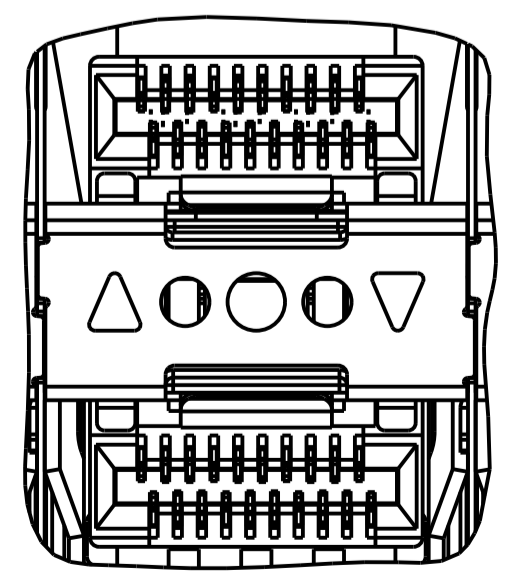
OUTER LIGHT PIPES
2347721-4, 2347721-8
SCALE 4:1



CENTER/REVERSED OUTER
1-2347721-7, 1-2347721-9
SCALE 4:1



REVERSED OUTER LIGHT PIPE
1-2347721-8, 2-2347721-0
SCALE 4:1



REVERSED OUTER LIGHT PIPE
3-2347721-3
SCALE 4:1

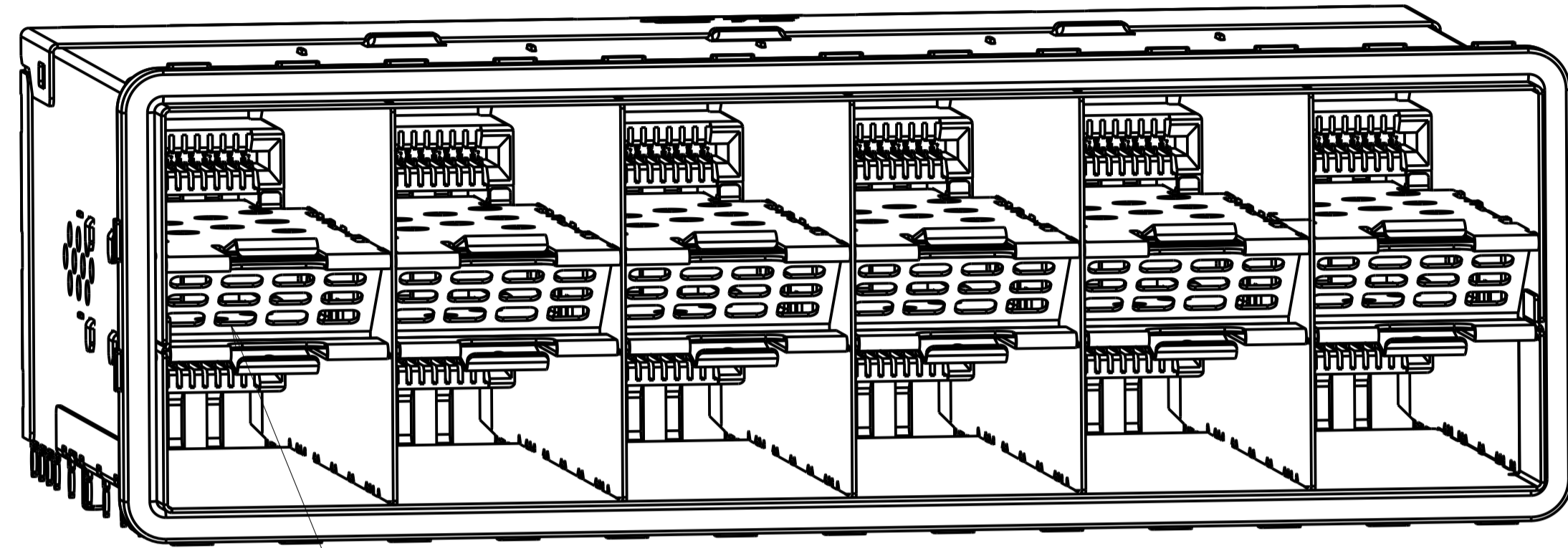
THIS DRAWING IS A CONTROLLED DOCUMENT.

DIMENSIONS:	TOLERANCES UNLESS OTHERWISE SPECIFIED:	OWN	J. WANG	26FEB2019
mm	0 PLC ±0.25	CHK	S. HAN	26FEB2019
	1 PLC ±0.25	APPV	S. HAN	26FEB2019
	2 PLC ±0.25	PRODUCT SPEC	108-2481	
	3 PLC ±0.25	APPLICATION SPEC	114-13319	
	4 PLC ±0.25	SIZE	CAGE CODE	DRAWING NO
	ANGLES ±°	RESTRICTED TO	A100779C=2347721	
MATERIAL	FINISH	WEIGHT	SCALE	SHEET 1 OF 7
SEE NOTES	SEE NOTES	CUSTOMER DRAWING	1:1	REV B

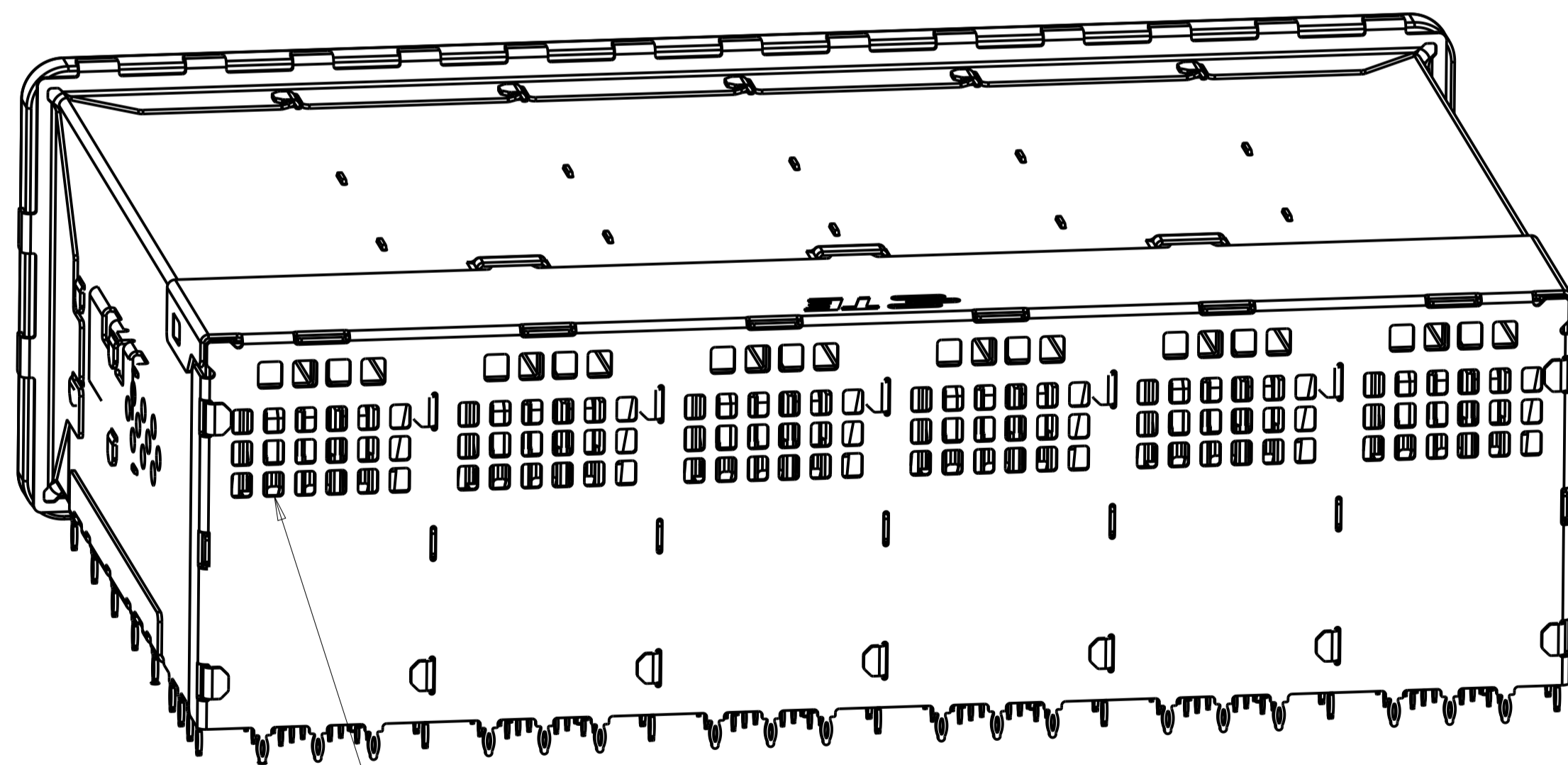
STE TE Connectivity

RECEPTACLE ASSEMBLY, 2X6, STACKED, SFP56

AIRFOLW ENHANCE TYPE

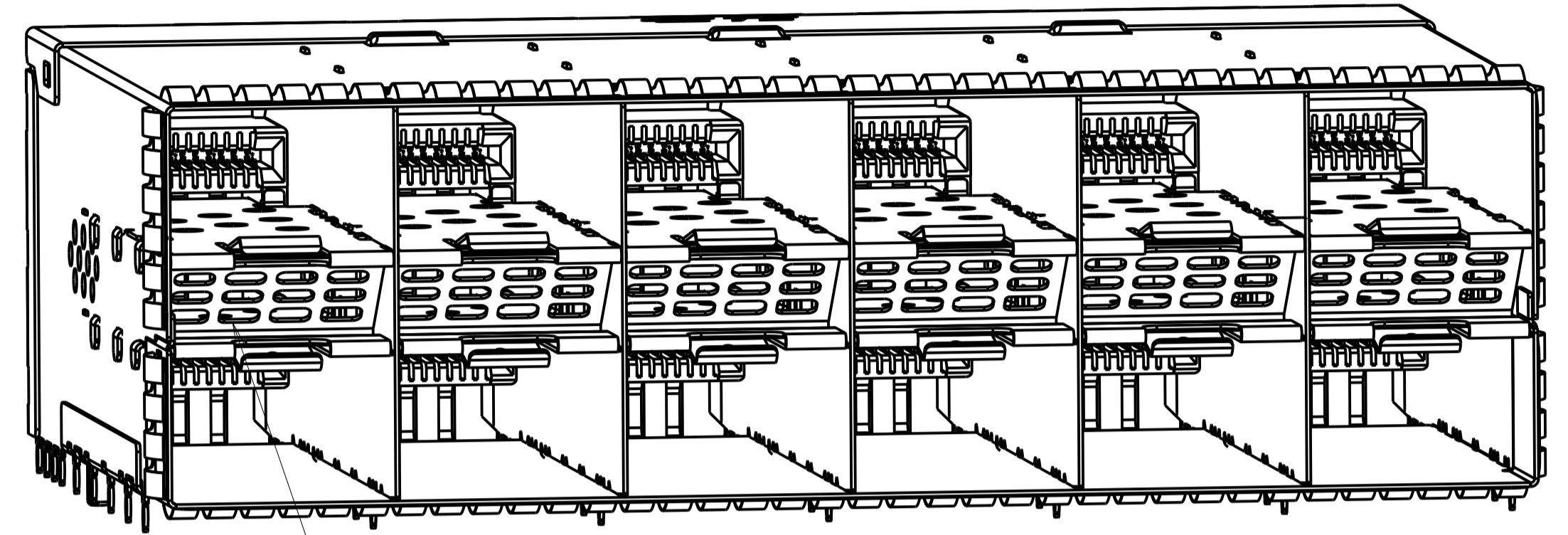


AIR VENTS

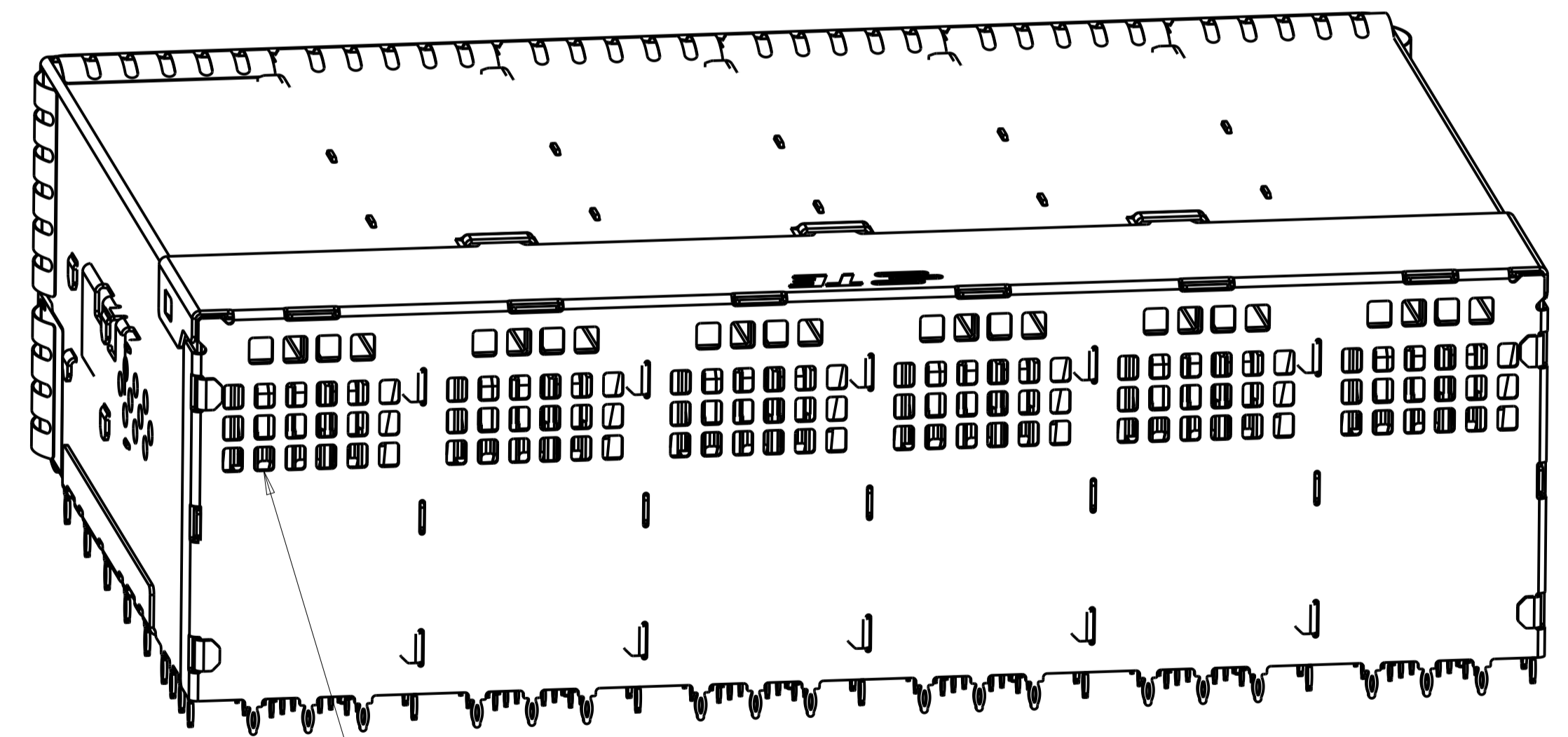


AIR VENTS

3-2347721-0
EMI GASKET TYPE



AIR VENTS



AIR VENTS

3-2347721-1
EMI SPRING TYPE

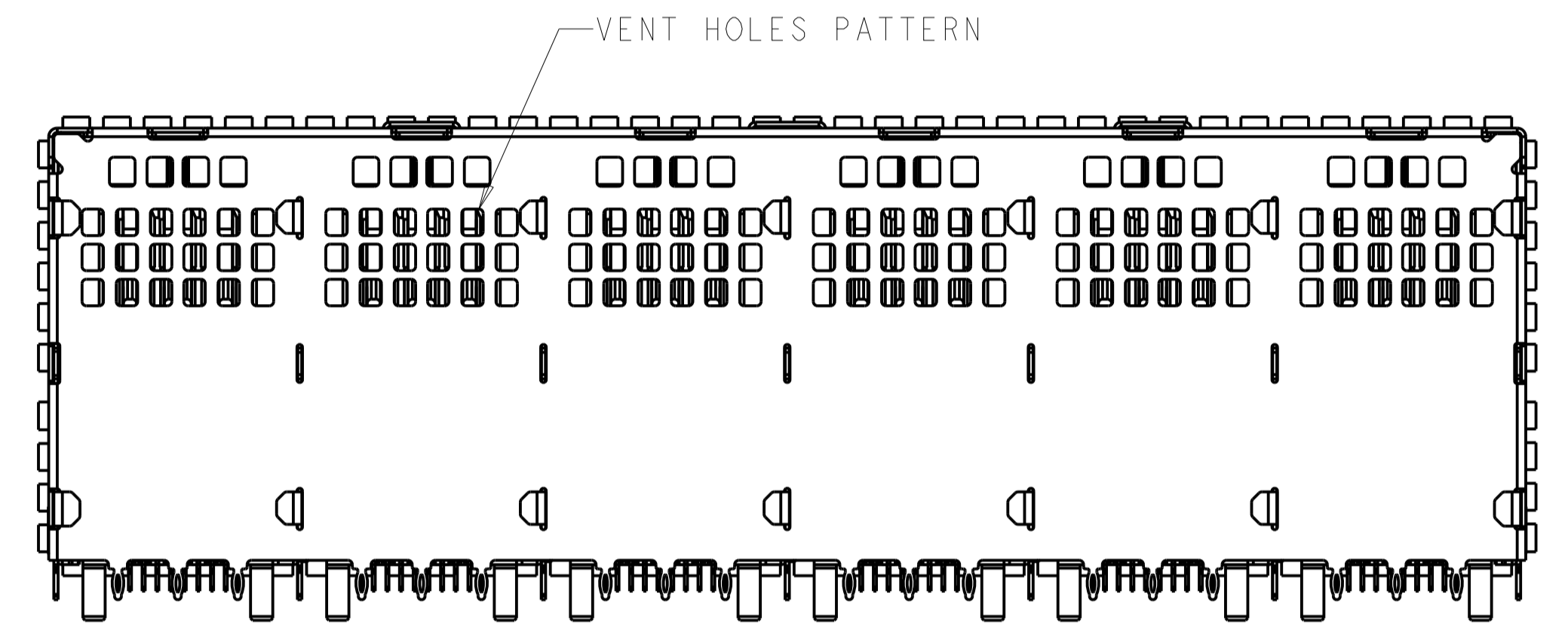
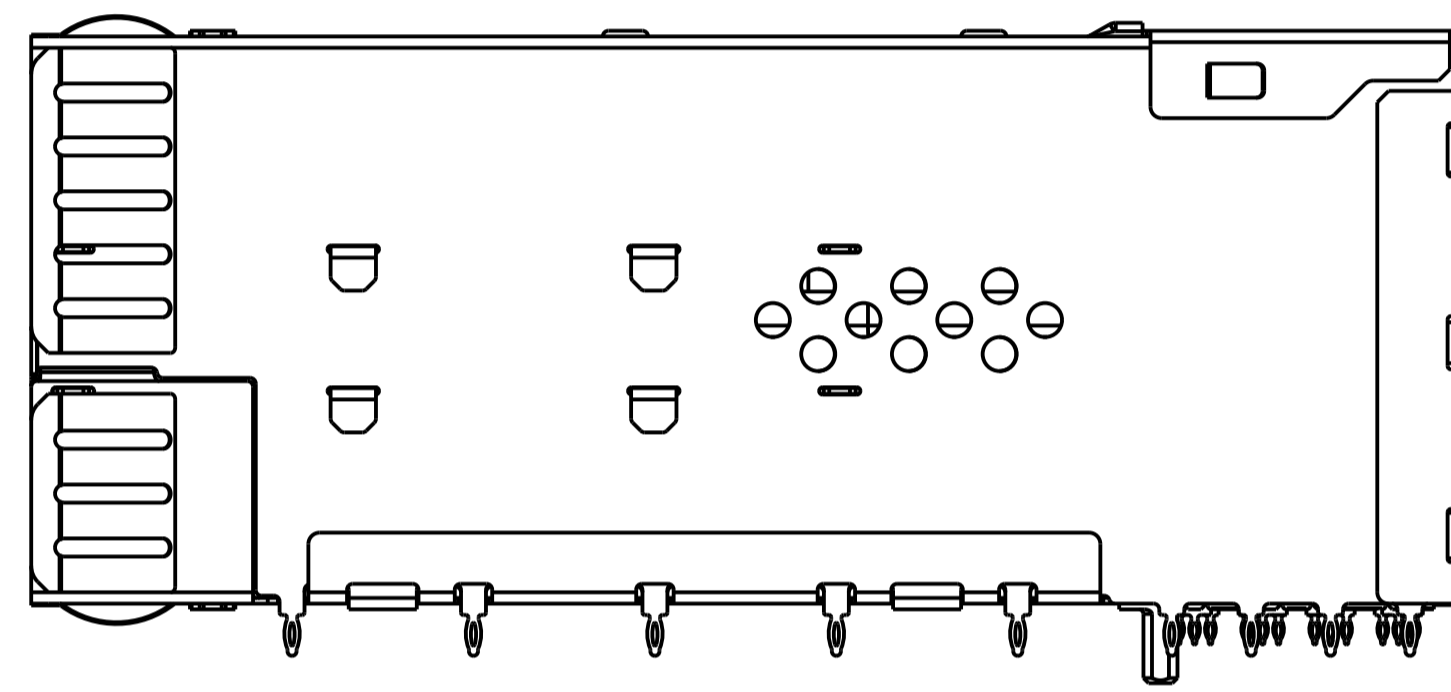
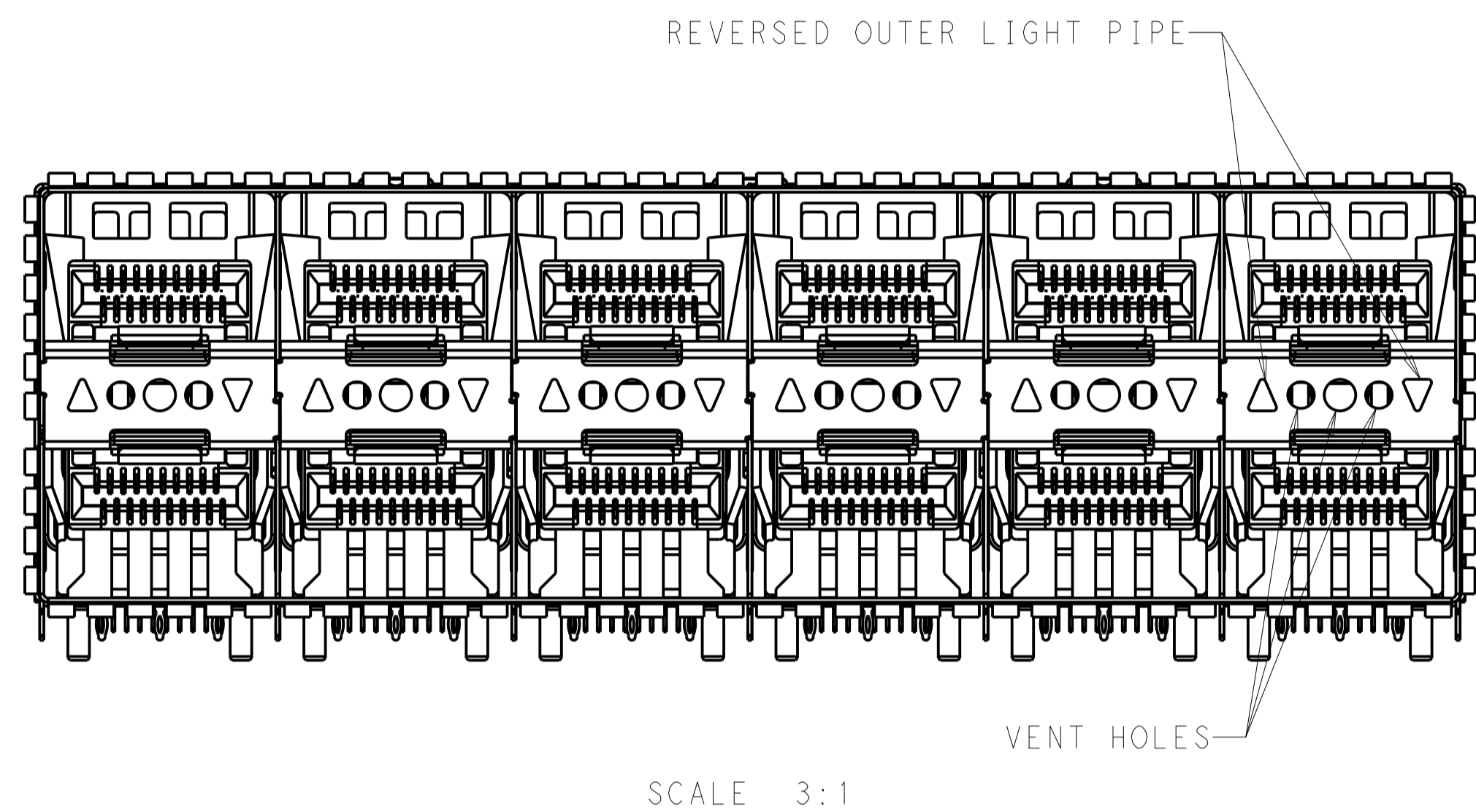
LOC	DIST	REVISIONS			
P	LTN	DESCRIPTION	DATE	DMN	APVD
GP	00	SEE SHEET 1			

THIS DRAWING IS A CONTROLLED DOCUMENT.		DMN J. WANG 26FEB2019	TE Connectivity
DIMENSIONS: mm		CHK S. HAN 26FEB2019	
TOLERANCES UNLESS OTHERWISE SPECIFIED: 0 PLC ±0.25 1 PLC ±0.25 2 PLC ±0.25 3 PLC ±0.25 4 PLC ±0.25 ANGLES ±°		APVD S. HAN 26FEB2019	NAME RECEPTACLE ASSEMBLY, 2X6, STACKED, SFP56
MATERIAL SEE NOTES		FINISH SEE NOTES	PRODUCT SPEC 108-2481 APPLICATION SPEC 114-13319 WEIGHT - SCALE 1:1 SHEET 2 OF 7 REV B
CUSTOMER DRAWING			SIZE CAGE CODE DRAWING NO A100779C=2347721

LOC		DIST		REVISIONS			
GP	00	P	LTN	DESCRIPTION	DATE	DWN	APVD
		-		SEE SHEET 1			

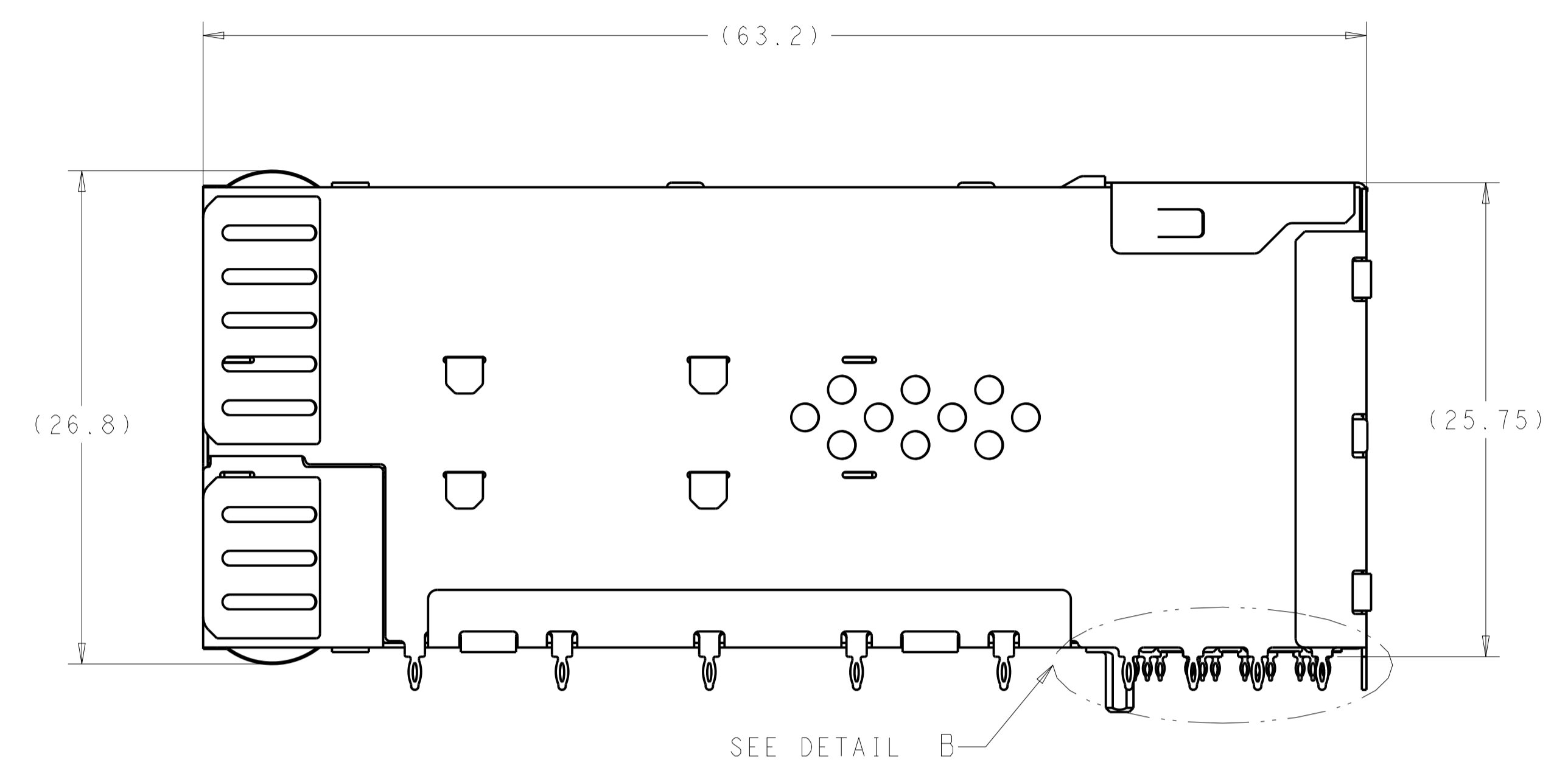
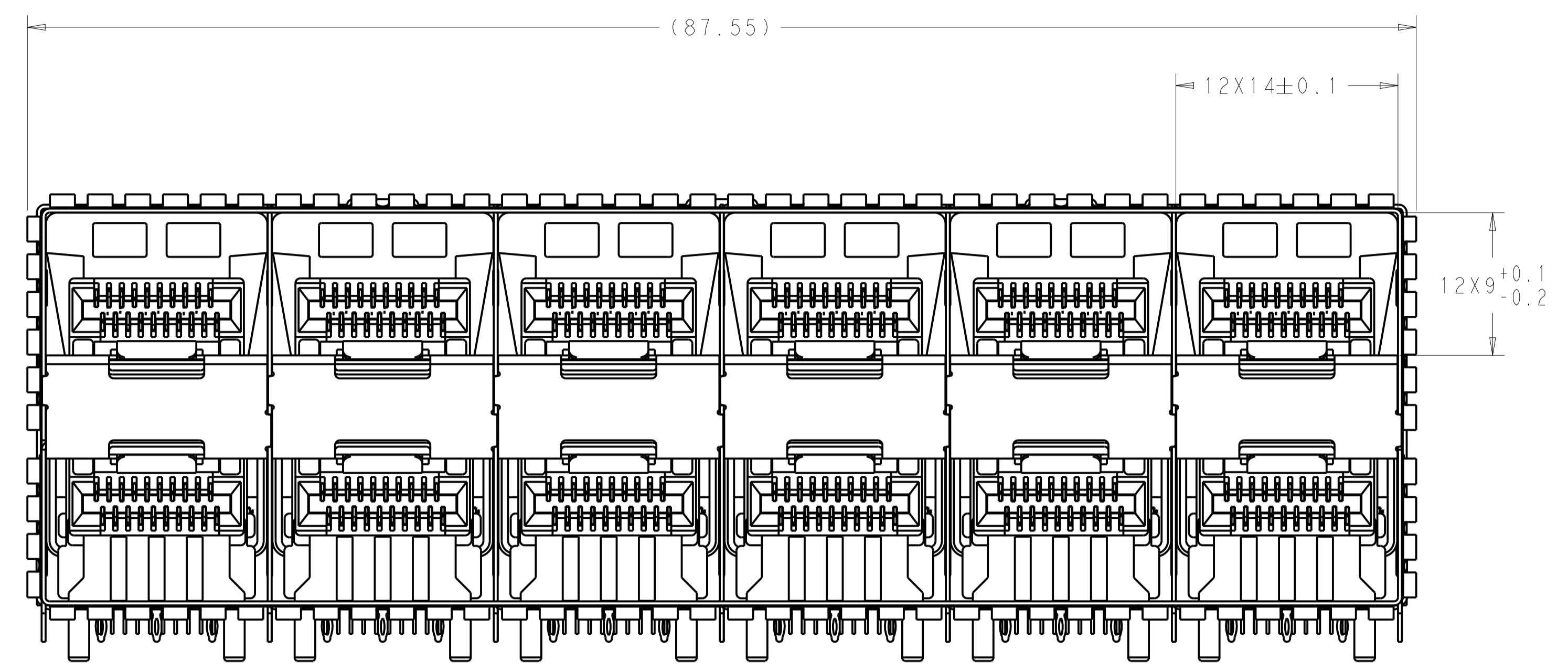
3-2347721-3 AIR FLOW ENHANCED VERSION

UNMARKED DIMENSION SAME AS 2347721-5

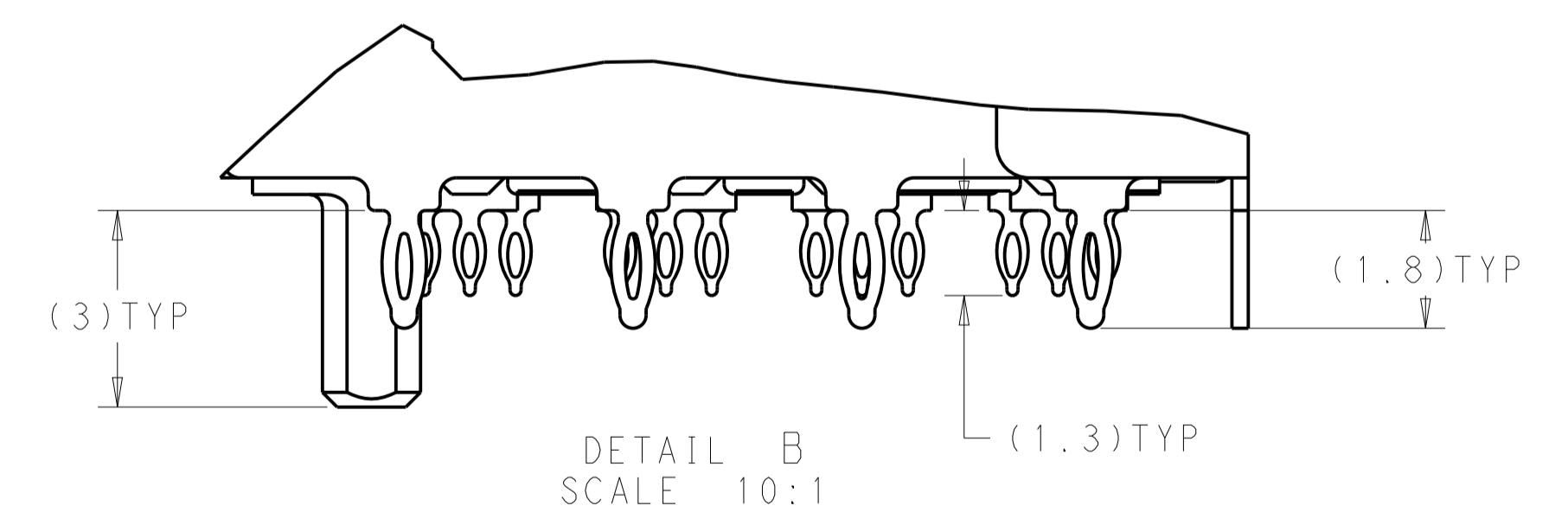
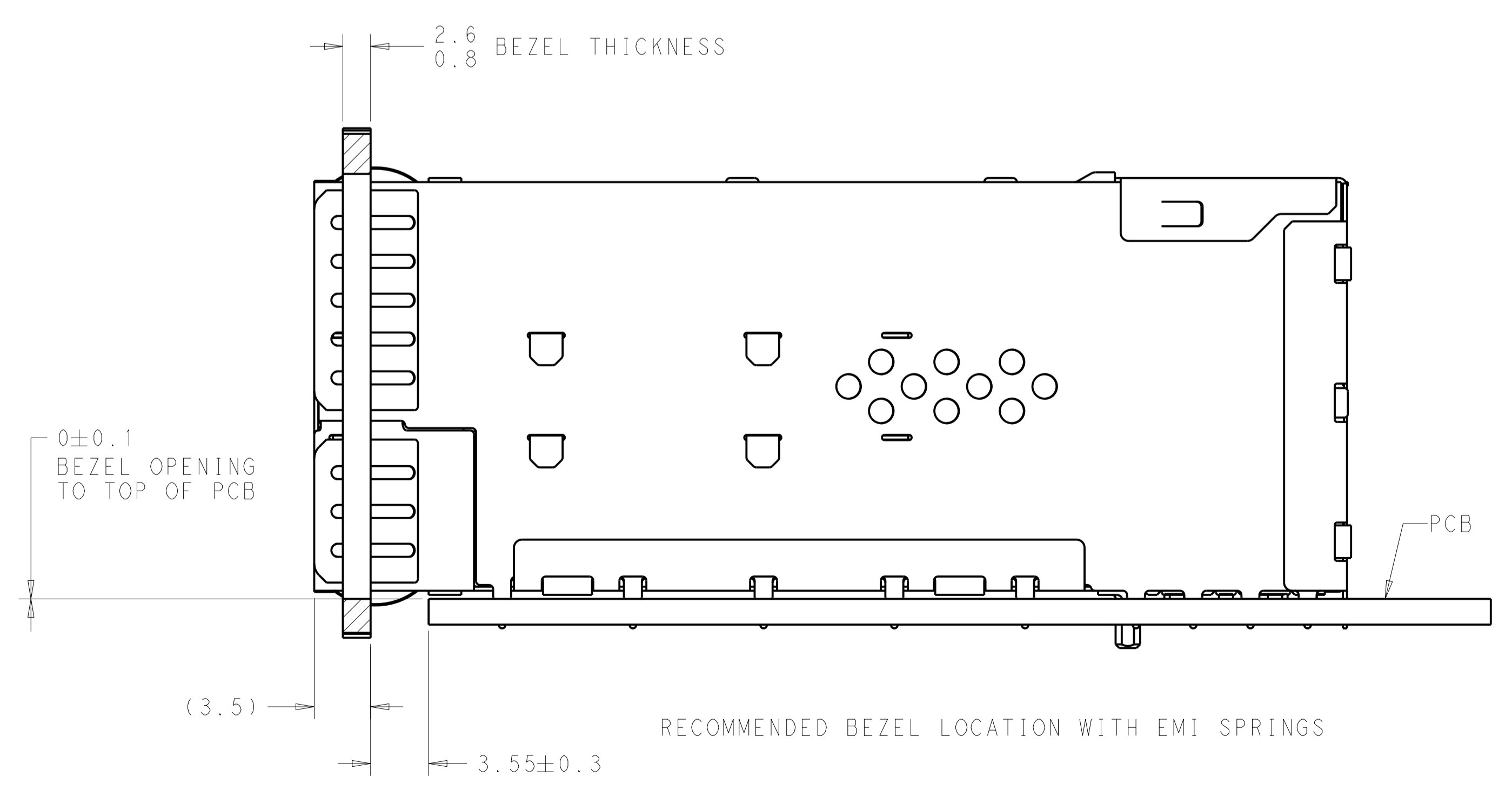


THIS DRAWING IS A CONTROLLED DOCUMENT.		DWN J. WANG 26FEB2019	TE Connectivity												
DIMENSIONS: mm		CHK S. HAN 26FEB2019													
TOLERANCES UNLESS OTHERWISE SPECIFIED:		APVD S. HAN 26FEB2019	NAME RECEPTACLE ASSEMBLY, 2X6, STACKED, SFP56												
<table border="1"> <tr><td>0 PLC</td><td>±0.25</td></tr> <tr><td>1 PLC</td><td>±0.25</td></tr> <tr><td>2 PLC</td><td>±0.25</td></tr> <tr><td>3 PLC</td><td>±0.25</td></tr> <tr><td>4 PLC</td><td>±0.25</td></tr> <tr><td>ANGLES</td><td>±°</td></tr> </table>		0 PLC	±0.25	1 PLC	±0.25	2 PLC	±0.25	3 PLC	±0.25	4 PLC	±0.25	ANGLES	±°	PRODUCT SPEC 108-2481	SIZE A100779
0 PLC	±0.25														
1 PLC	±0.25														
2 PLC	±0.25														
3 PLC	±0.25														
4 PLC	±0.25														
ANGLES	±°														
MATERIAL SEE NOTES		APPLICATION SPEC 114-13319	CAGE CODE DRAWING NO C=2347721												
FINISH SEE NOTES		WEIGHT -	RESTRICTED TO -												
CUSTOMER DRAWING		SCALE 1:1	SHEET 3 OF 7 REV B												

LOC	DIST	REVISIONS			
		REV	DATE	BY	APPV
GP	00	-	-	-	-
		SEE SHEET 1			

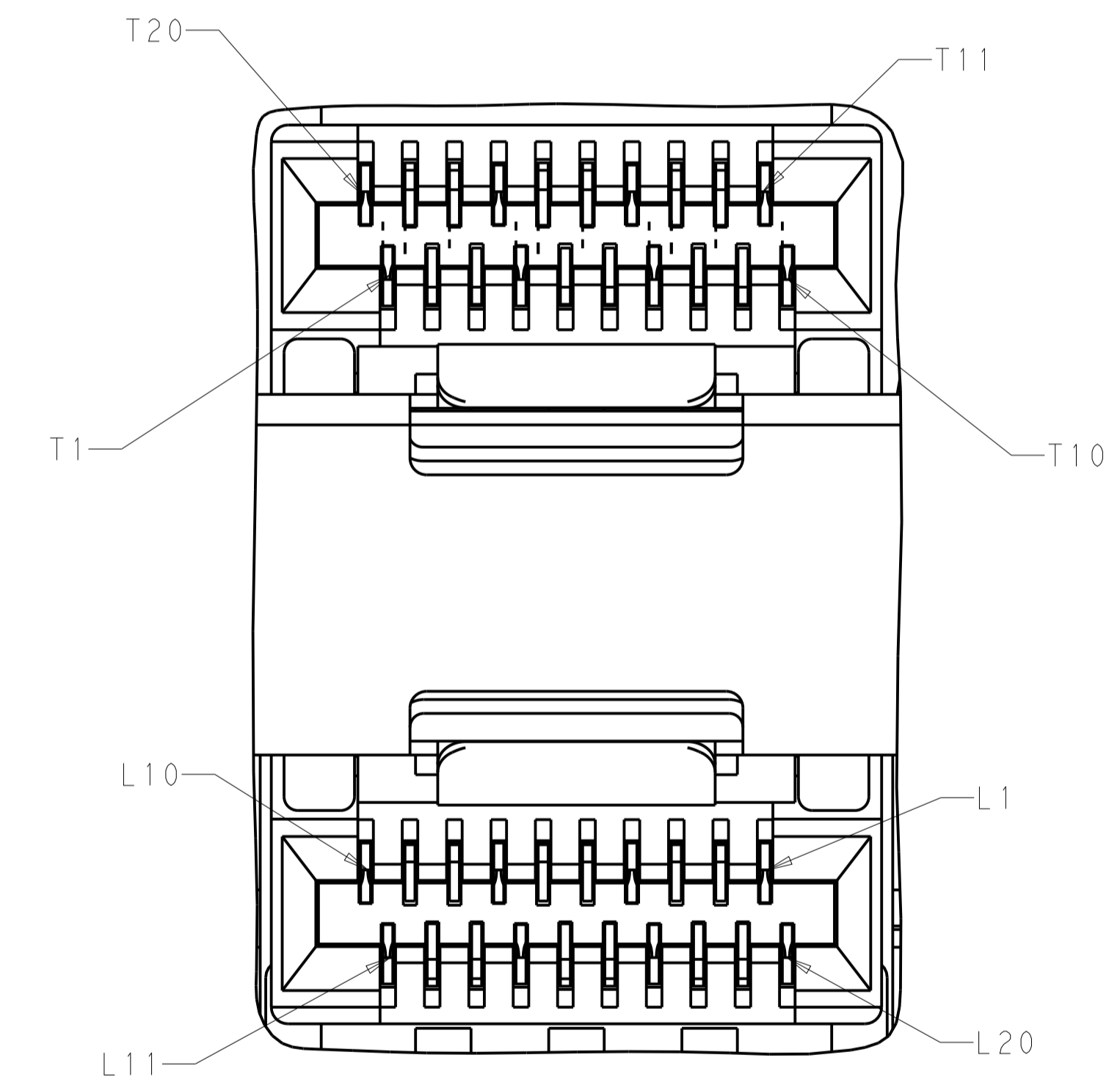
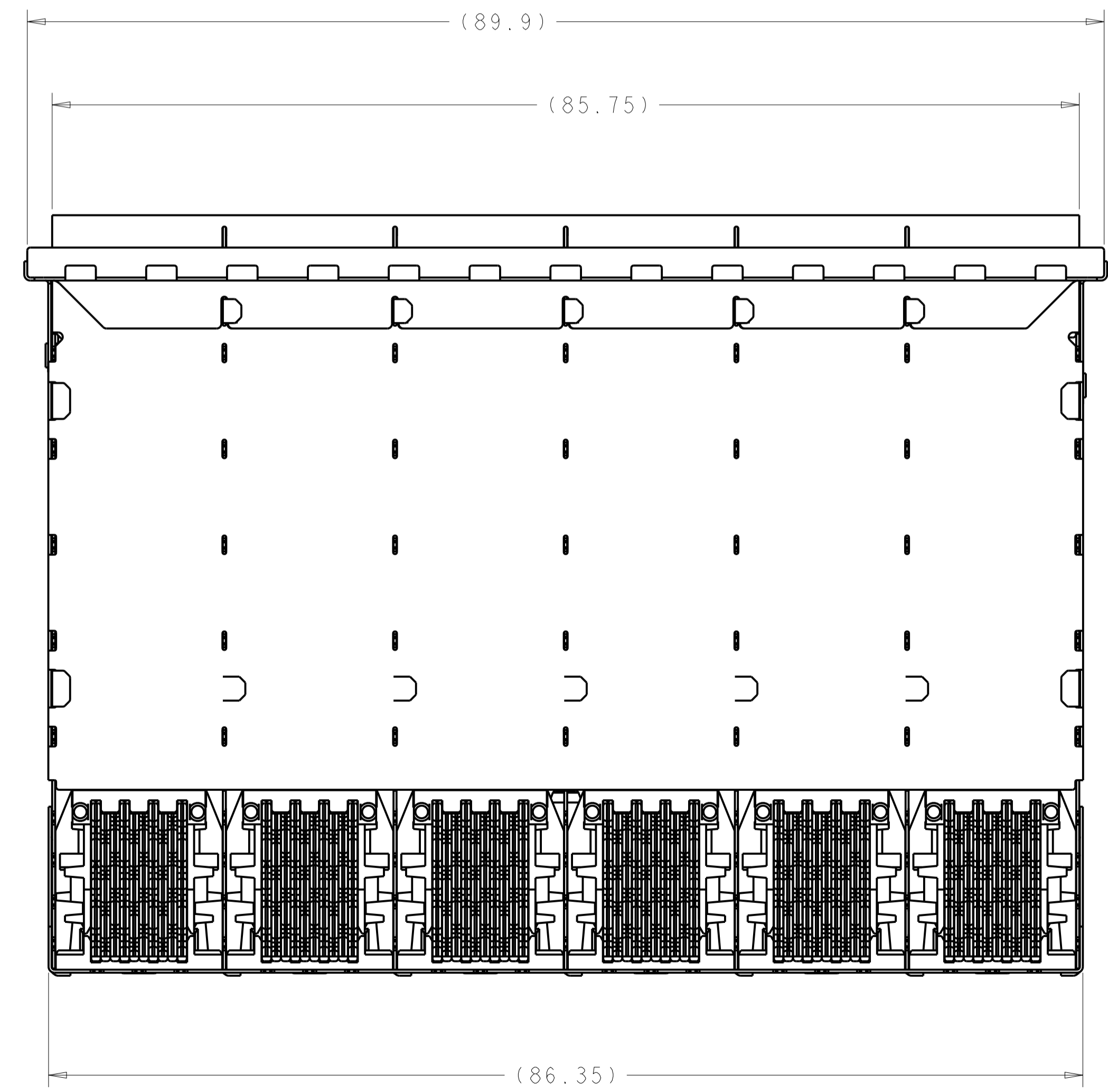
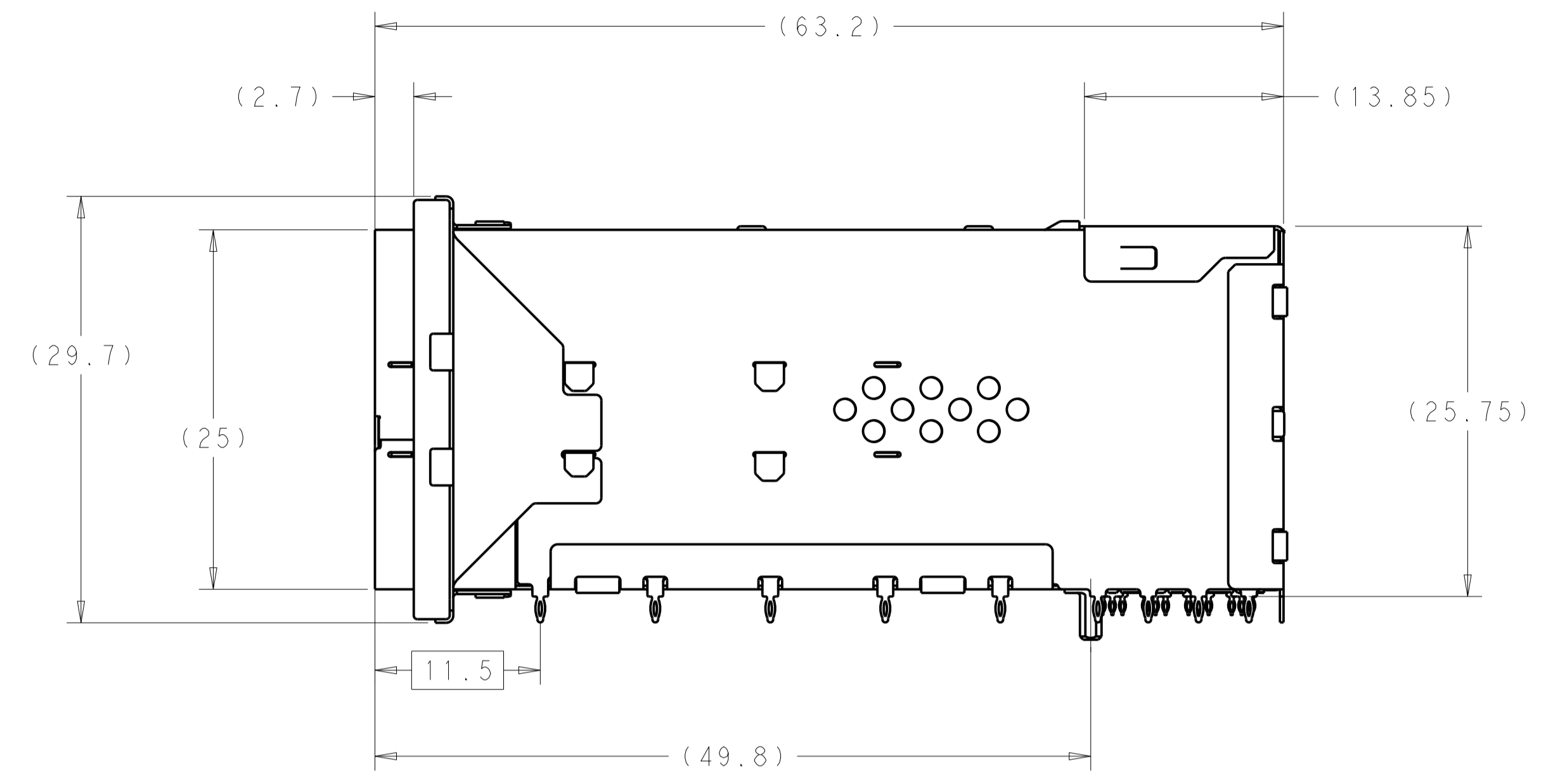
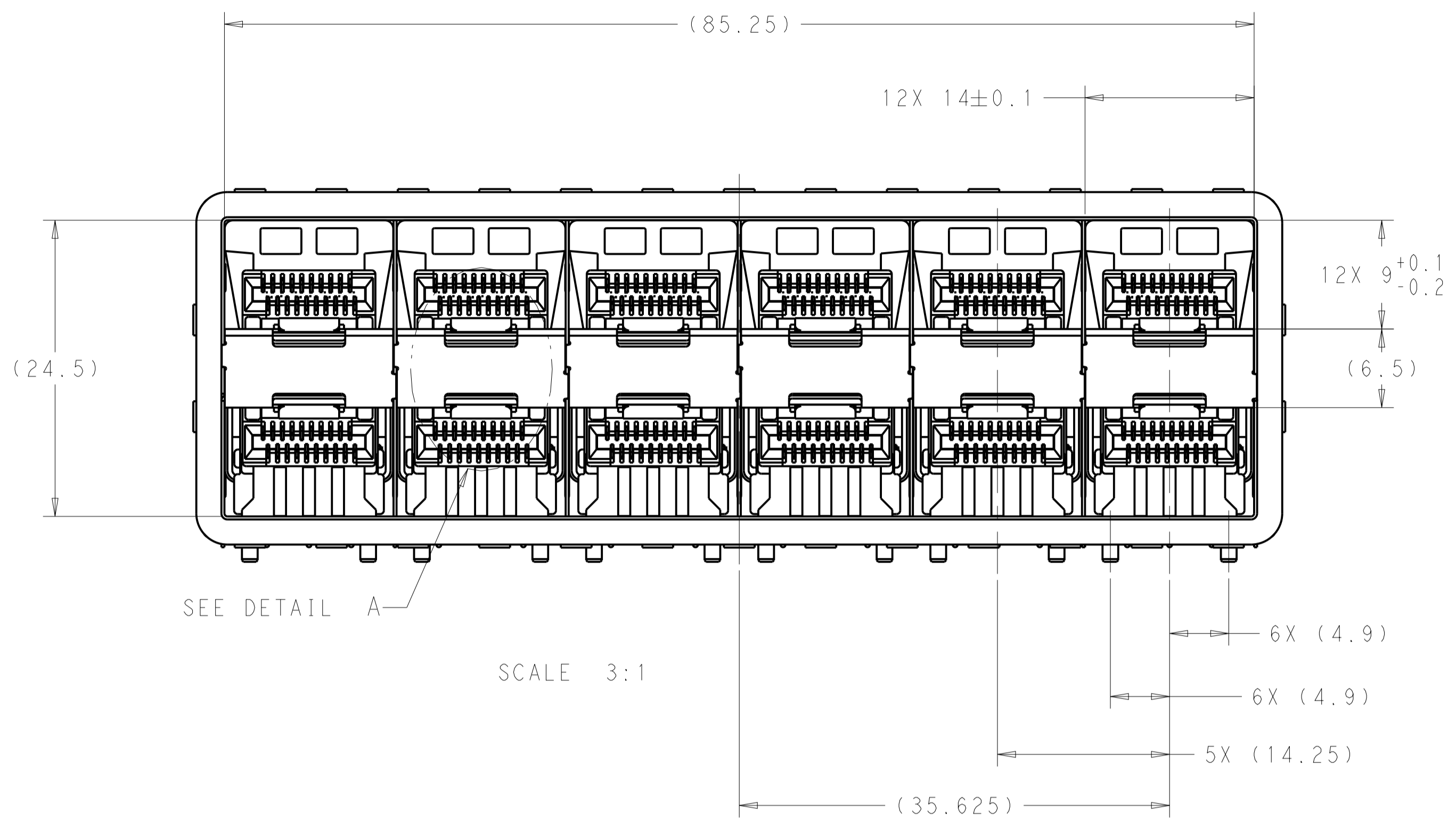


2347721-5 THRU 1-2347721-2, 1-2347721-9, 2-2347721-0, 2-2347721-1
 EMI SPRINGS ONLY
 SCALE 4:1



THIS DRAWING IS A CONTROLLED DOCUMENT.		DWN: J. WANG 26FEB2019	TE Connectivity
DIMENSIONS: mm		CHK: S. HAN 26FEB2019	
TOLERANCES UNLESS OTHERWISE SPECIFIED:		APVD: S. HAN 26FEB2019	NAME: RECEPTACLE ASSEMBLY, 2X6, STACKED, SFP56
0 PLC	±0.25	PRODUCT SPEC	SIZE: CAGE CODE DRAWING NO
1 PLC	±0.25	108-2481	RESTRICTED TO
2 PLC	±0.25	APPLICATION SPEC	A100779C=2347721
3 PLC	±0.25	114-13319	SCALE 1:1 SHEET 4 OF 7 REV B
4 PLC	±0.25	WEIGHT	
ANGLES	±4°	CUSTOMER DRAWING	
MATERIAL: SEE NOTES	FINISH: SEE NOTES		

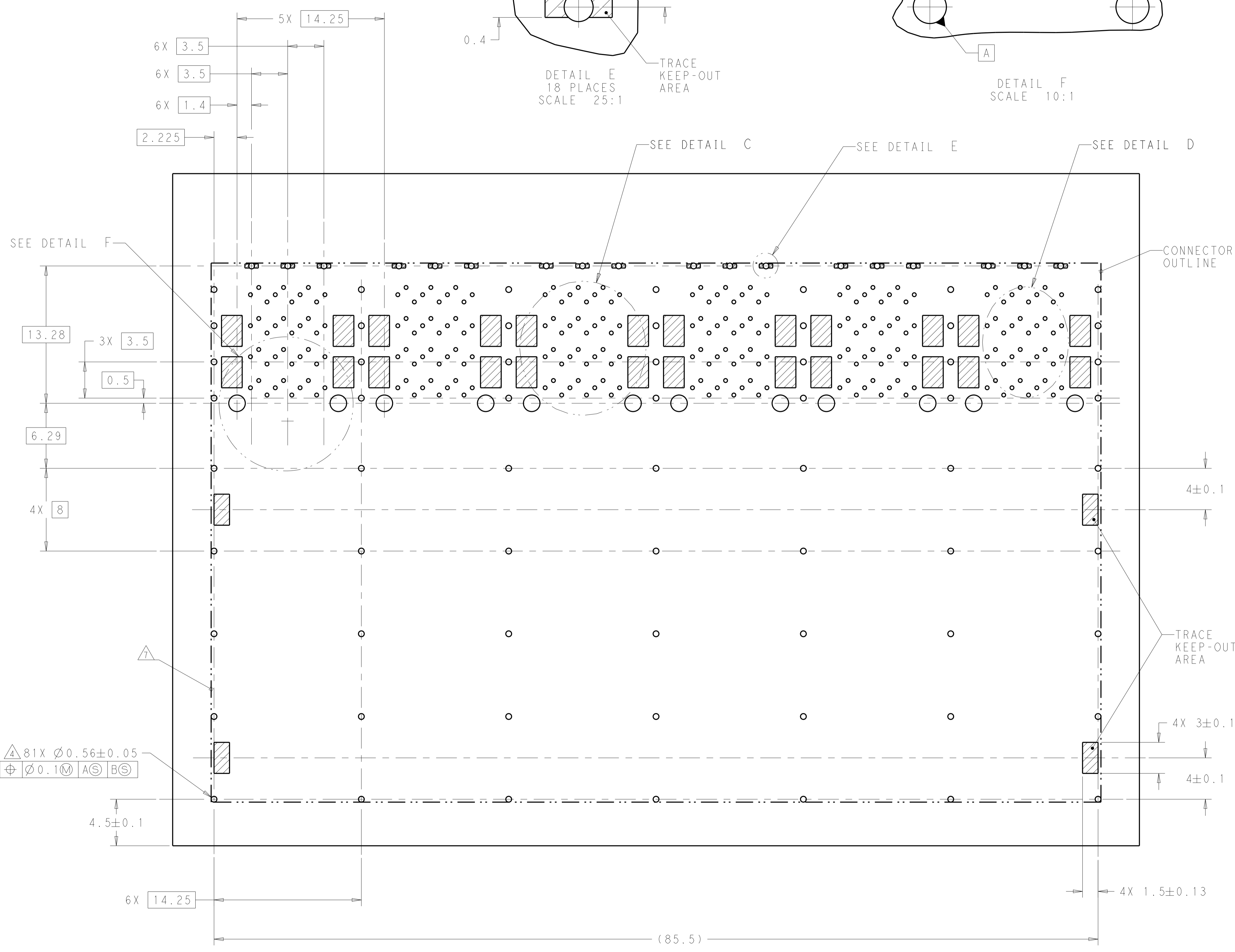
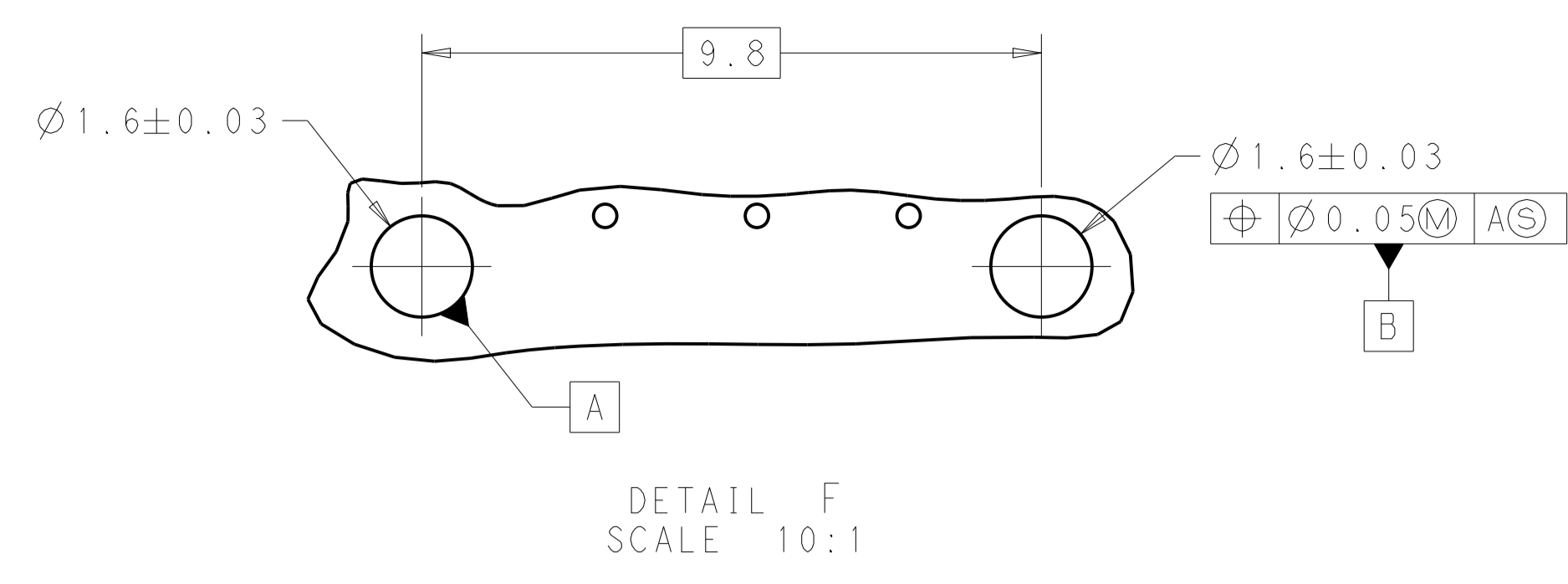
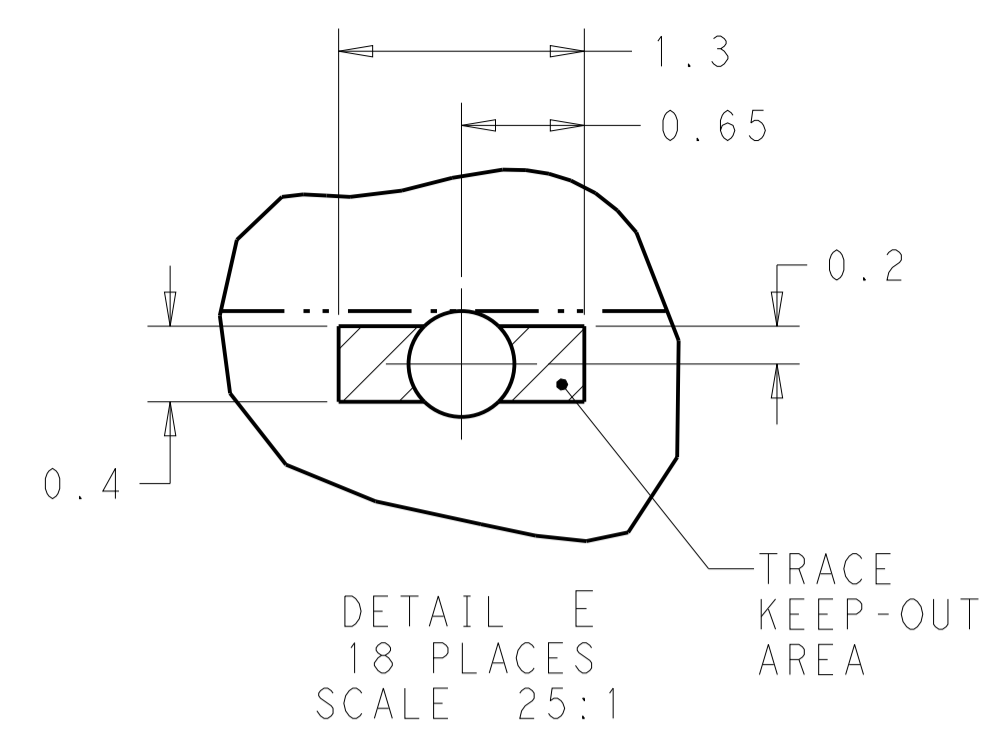
LOC		DIST		REVISIONS			
GP	00	P	LTN	DESCRIPTION	DATE	DWN	APVD
		-		SEE SHEET 1	-	-	-



DETAIL A
 6X INDIVIDUALLY
 SCALE 10:1

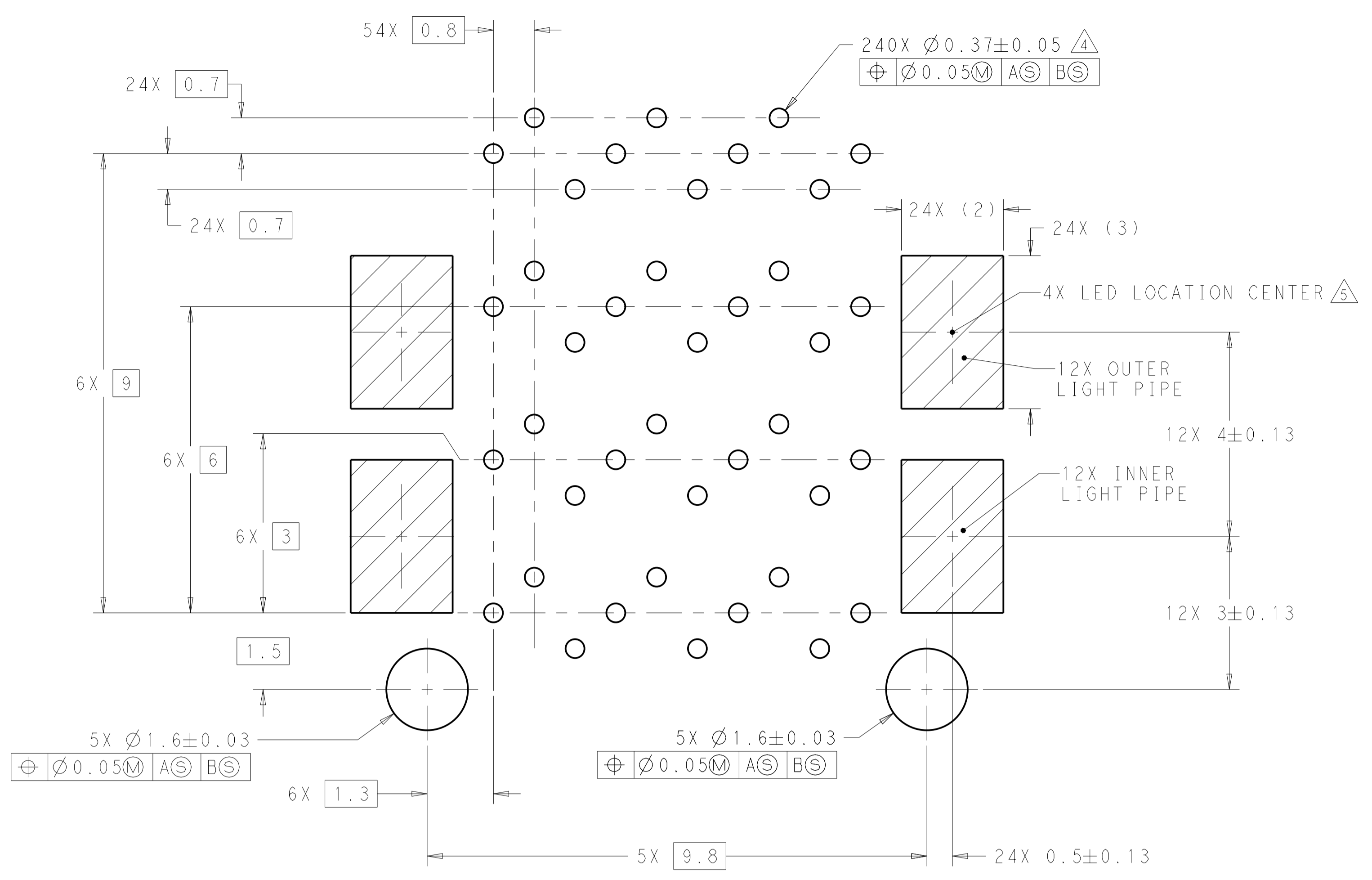
THIS DRAWING IS A CONTROLLED DOCUMENT.		DWN: J. WANG 26FEB2019	TE Connectivity
DIMENSIONS: mm		CHK: S. HAN 26FEB2019	
TOLERANCES UNLESS OTHERWISE SPECIFIED:		APVD: S. HAN 26FEB2019	NAME: RECEPTACLE ASSEMBLY, 2X6, STACKED, SFP56
0 PLC ±0.25 1 PLC ±0.25 2 PLC ±0.25 3 PLC ±0.25 4 PLC ±0.25 ANGLES ±°		PRODUCT SPEC: 108-2481	SIZE: A1
MATERIAL: SEE NOTES		FINISH: SEE NOTES	APPLICATION SPEC: 114-13319
		WEIGHT: -	RESTRICTED TO: -
		CUSTOMER DRAWING	SCALE: 1:1 SHEET 5 OF 7 REV B

LOC	DIST	REVISIONS			
GP	00	REV	DATE	BY	APPV
		1			
		2			
		3			
		4			
		5			
		6			
		7			
		8			
		9			
		10			

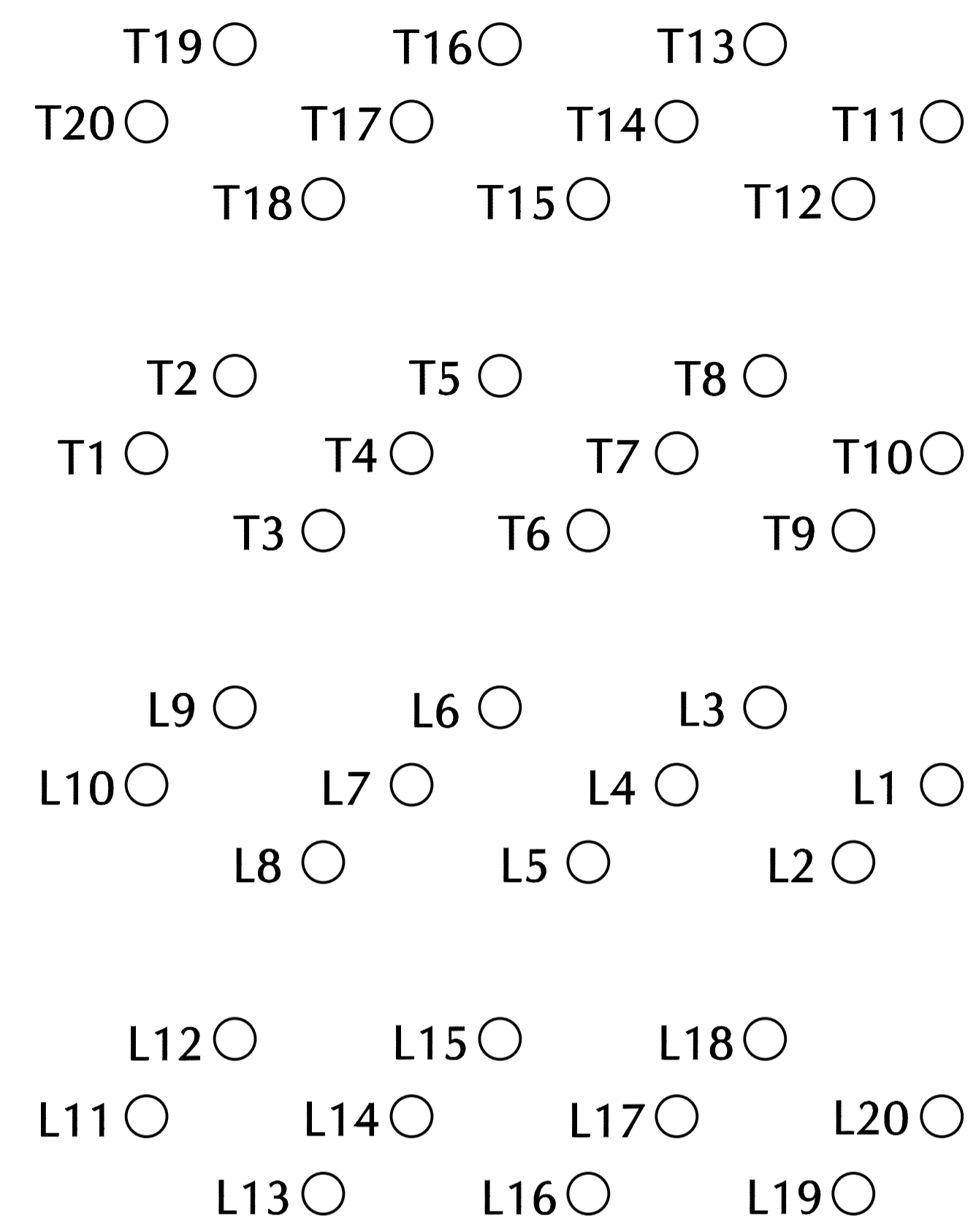


THIS DRAWING IS A CONTROLLED DOCUMENT.		OWN: J. WANG 26FEB2019	TE Connectivity
DIMENSIONS: mm		CHK: S. HAN 26FEB2019	
TOLERANCES UNLESS OTHERWISE SPECIFIED:		APVD: S. HAN 26FEB2019	NAME: RECEPTACLE ASSEMBLY, 2X6, STACKED, SFP56
0 PLC ±0.25	1 PLC ±0.25	2 PLC ±0.25	3 PLC ±0.25
4 PLC ±0.25	ANGLES ±°	±4°	
MATERIAL: SEE NOTES	FINISH: SEE NOTES	WEIGHT: -	RESTRICTED TO: -
CUSTOMER DRAWING		SCALE: 1:1	SHEET 6 OF 7 REV B

LOC	DIST	REV	DATE	APPD	REVISED
GP	00				
DESCRIPTION			DATE	DWN	APPD
SEE SHEET 1					

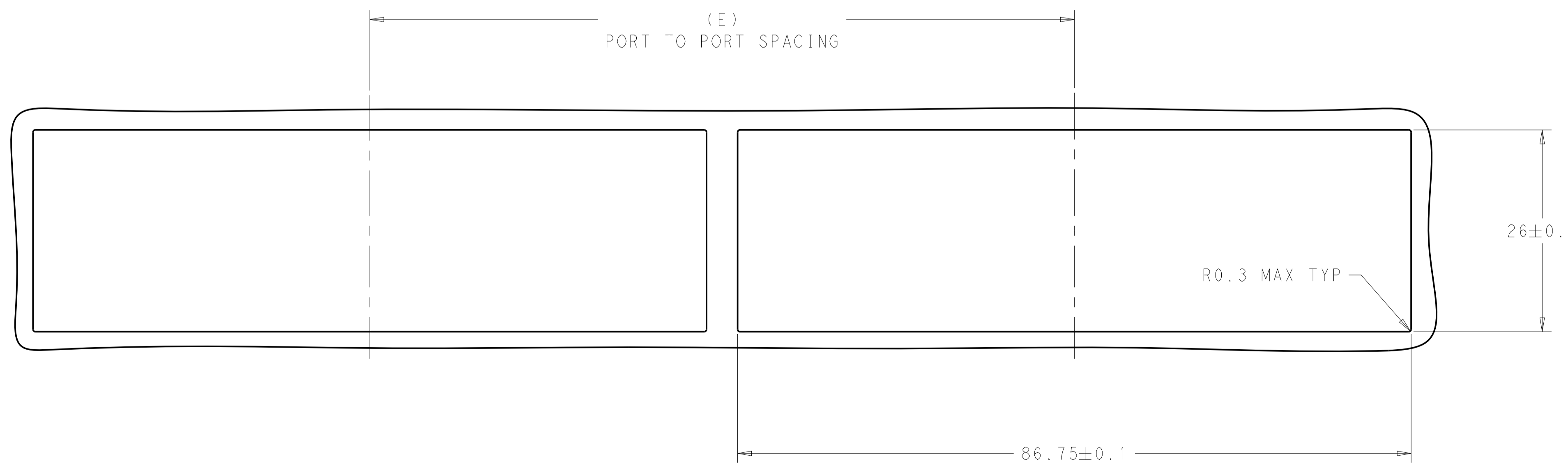


DETAIL C
 RECOMMENDED PIN AND LIGHT PIPE LAYOUT
 SCALE 15:1

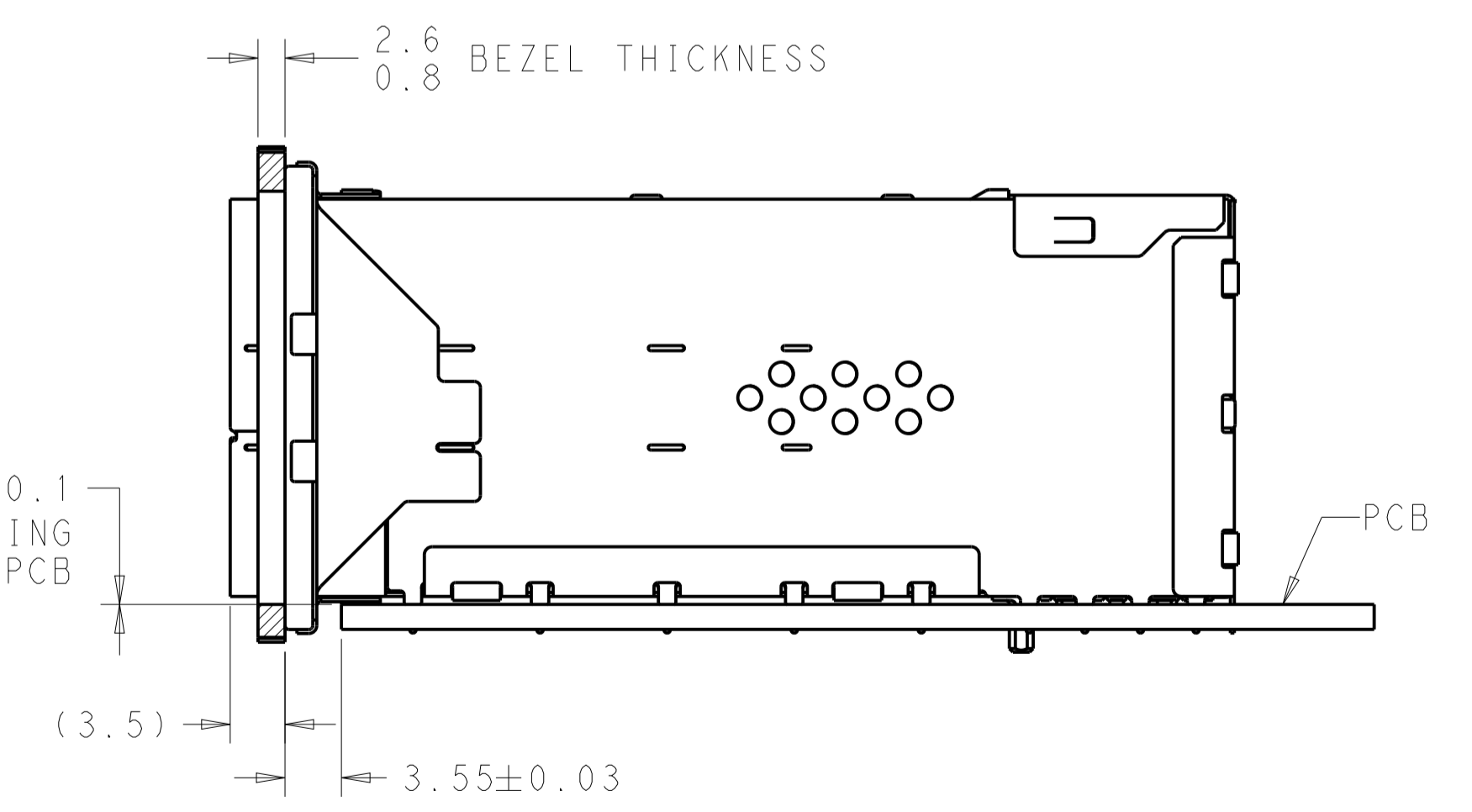


PIN MAP LEGEND	
PIN NUMBER	FUNCTION
L1/T1	VEET
L2/T2	TX-FAULT
L3/T3	TX-DISABLE
L4/T4	SDA
L5/T5	SCL
L6/T6	MOD_ABS
L7/T7	RSO
L8/T8	RX_LOS
L9/T9	RS1
L10/T10	VEER
L11/T11	VEER
L12/T12	RD-
L13/T13	RD+
L14/T14	VEER
L15/T15	VCCR
L16/T16	VCCT
L17/T17	VEET
L18/T18	TD+
L19/T19	TD-
L20/T20	VEET

DETAIL D
 PIN MAP
 6 PLACES
 SCALE 20:1



RECOMMENDED BEZEL CUT-OUT DETAIL
 SCALE 5:2



RECOMMENDED BEZEL LOCATION WITH EMI GASKET
 SCALE 5:2

THIS DRAWING IS A CONTROLLED DOCUMENT.		DWN: J. WANG 26FEB2019	TE Connectivity
DIMENSIONS: mm		CHK: S. HAN 26FEB2019	
TOLERANCES UNLESS OTHERWISE SPECIFIED:		APPD: S. HAN 26FEB2019	NAME: RECEPTACLE ASSEMBLY, 2X6, STACKED, SFP56
0 PLC ±0.25 1 PLC ±0.25 2 PLC ±0.25 3 PLC ±0.25 4 PLC ±0.25 ANGLES ±°		PRODUCT SPEC: 108-2481	
MATERIAL: SEE NOTES		FINISH: SEE NOTES	APPLICATION SPEC: 114-13319
		WEIGHT: -	SIZE: A1
		CUSTOMER DRAWING	SCALE: 1:1 SHEET 7 OF 7 REV B

X-ON Electronics

Largest Supplier of Electrical and Electronic Components

Click to view similar products for [I/O Connectors](#) category:

Click to view products by [TE Connectivity](#) manufacturer:

Other Similar products are found below :

[571763P](#) [58098-0628](#) [72.250.1628.2](#) [72.250.2428.2](#) [74720-0505](#) [76.350.0729.0](#) [76871-1403](#) [FCN-244F080-G/1](#) [FCN-260A9920](#) [PCR-E36PM](#) [PCS-XE26MA+](#) [G38A71314B](#) [1571250010](#) [157-22500-3](#) [MS3471L14-19P L/C](#) [172501-4002](#) [172501-6002](#) [FCN-260C008-A/L0](#) [FCN-260C024-AL0](#) [FCN-261Z008](#) [2000314-1](#) [200331-1](#) [PCR-E36FC+](#) [PCS-E28FS+](#) [PCS-XE26SLFD+](#) [PCS-XE26SLFDT+](#) [G730VID08BDC24](#) [U90B2054081210](#) [38113800006](#) [DP3AR020WQ1R200](#) [Z4.102.0680.0](#) [500-1040](#) [500-1052](#) [500-1054](#) [ZP-4008-66L](#) [0709821002](#) [DX40-20P\(55\)](#) [5554841-1](#) [MS3474W18-8P-LC*](#) [U90B3054061110](#) [U65-E04-4020](#) [ZPF000000000097891](#) [747360449](#) [10099439-003C-TRLF](#) [10137239-0021LF](#) [E9320-001-01](#) [10137239-0011LF](#) [70289-001LF](#) [70.060.1028.0](#) [109029-ZZ](#)