

4

3

2



1

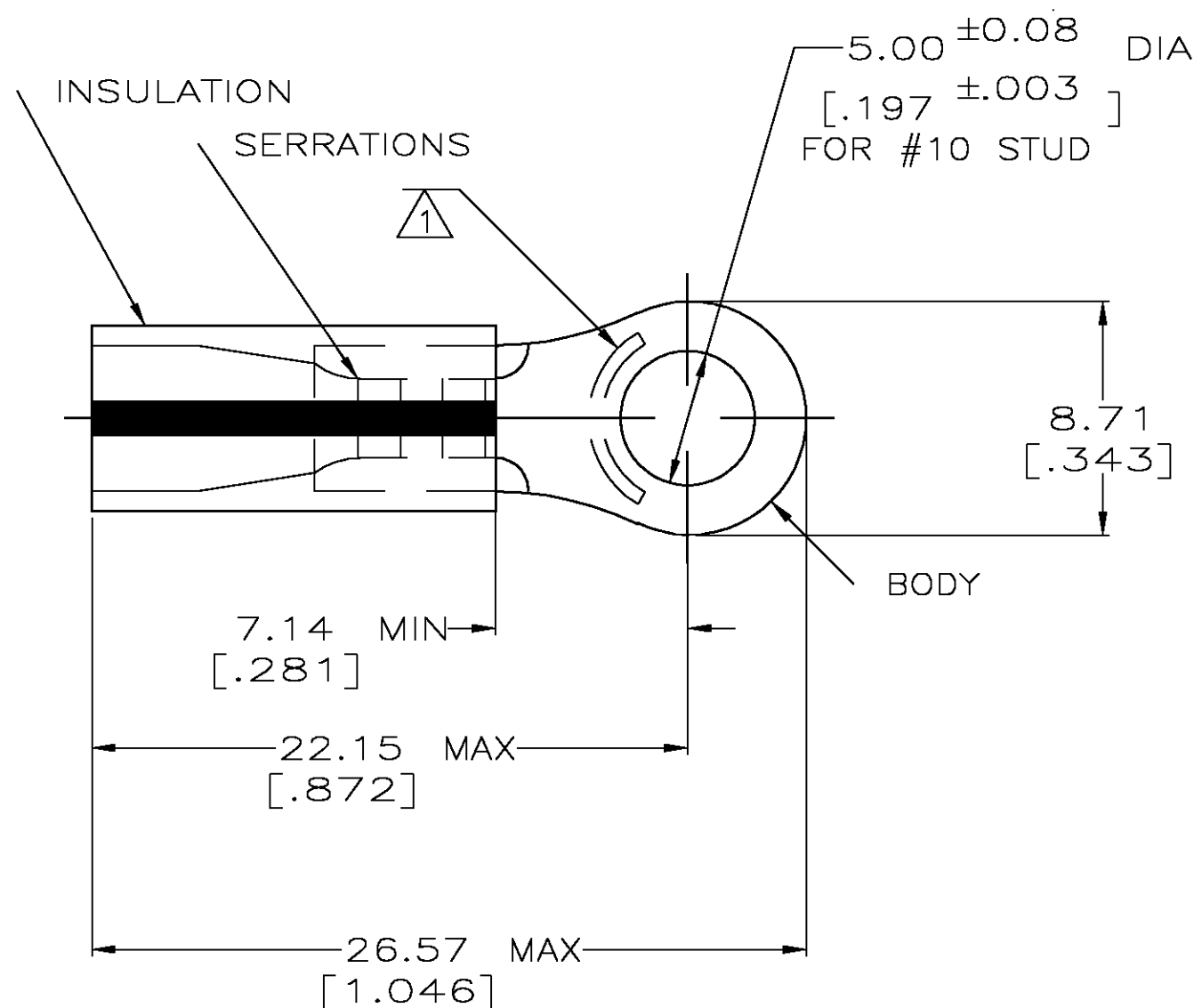
THIS DRAWING IS UNPUBLISHED.

RELEASED FOR PUBLICATION

© COPYRIGHT - BY TYCO ELECTRONICS CORPORATION. ALL RIGHTS RESERVED.

LOC	DIST	REVISIONS				
P	LTR	DESCRIPTION	DATE	DWN	APVD	
	G	REV PER 0G3A-0656-04	20AUG04	JR	TM	

AMP WIRE RANGE	 Listed FILE E13288	 LR7189 Certified
16-14HD AWG SOLID OR STRANDED	16-14HD AWG SOLID OR STRANDED	16-14HD AWG SOLID OR STRANDED



- △ 1 STAMP AMP 16-14HD* APPROX AS SHOWN
2 WIRE INSULATION DIA: .105-.200
3 TONGUE MATERIAL THK: 1.22 ± 0.05 [.048 ± 0.002]
△ 4 MATERIAL: BODY - CU PER ASTM B152
SLEEVE - PVC,
COLOR - YELLOW W/BLK STRIPE

50	LOOSE PC,BOX	8-34823-2
5000	ON TAPE, REEL	2-34823-1
-	LOOSE PIECE	34823
QTY	PACKAGE TYPE	PART NO.

AMP INCORPORATED CUSTOMER SERVICE SYSTEMS

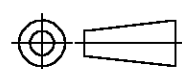
FOR ADDITIONAL
PRODUCT INFORMATION OR
COPIES OF DRAWINGS
AND TECHNICAL DOCUMENTSPRODUCT INFORMATION CENTER
1-800-522-6752FOR APPLICATION
TOOLING INFORMATIONTOOLING ASSISTANCE CENTER
1-800-722-1111

FOR ORDER ENTRY

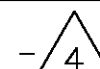
1-800-526-5142

THIS DRAWING IS A CONTROLLED DOCUMENT FOR
AMP INCORPORATED. IT IS SUBJECT TO CHANGE
AND THE CONTROLLING ENGINEERING ORGANIZATION
SHOULD BE CONTACTED FOR THE LATEST REVISION.MAX RECOMMENDED OPERATING
TEMPERATURE:
105°C [221°F]VOLTAGE RATING:
N/ACIRCULAR MIL AREA:
1.04-2.62mm² [2,050-5,180]
SOLID OR STRANDED

THIS DRAWING IS A CONTROLLED DOCUMENT.

DIMENSIONS:
MM[INCHES]

MATERIAL

TOLERANCES UNLESS
OTHERWISE SPECIFIED:0 PLC ± -
1 PLC ± -
2 PLC ± 0.20[.008]
3 PLC ± -
4 PLC ± -
ANGLES ± -

FINISH

TIN PER ASTM B545

DWN 09/29/92

DK SCHRUM

CHK 11/10/92

RE HERSEY

APVD 11/10/92

M BARNABA

PRODUCT SPEC

108-1034

APPLICATION SPEC

NOT AVAILABLE

WEIGHT

CUSTOMER DRAWING

tyco
ElectronicsTyco Electronics Corporation
Harrisburg, Pa 17105-3608

NAME

TERMINAL, RING TONGUE, PLASTI-GRIP

SIZE

CAGE CODE

DRAWING NO

RESTRICTED TO

A3

00779

C-34823

SCALE 4:1

SHEET 1 OF 1

REV G

X-ON Electronics

Largest Supplier of Electrical and Electronic Components

Click to view similar products for [Terminals](#) category:

Click to view products by [TE Connectivity](#) manufacturer:

Other Similar products are found below :

[00-054007-01074-6](#) [00-054007-70206-1](#) [00-054007-70210-8](#) [00-054007-70217-7](#) [00-054007-70226-9](#) [00-054007-70228-3](#) [00-054007-70248-1](#) [00-054007-70256-6](#) [00-054007-70301-3](#) [00-054007-70316-7](#) [0-0320562-0](#) [00-054007-49560-4](#) [00-054007-70209-2](#) [00-054007-70225-2](#) [00-054007-70227-6](#) [00-054007-70231-3](#) [00-054007-70241-2](#) [00-054007-70242-9](#) [00-054007-70244-3](#) [00-054007-70246-7](#) [00-054007-70263-4](#) [00-054007-70288-7](#) [00-054007-70290-0](#) [00-054007-70300-6](#) [00-054007-70304-4](#) [01-2065-1-0216](#) [01-2900-1-04412](#) [00581P0075](#) [600TS-10](#) [60205-1](#) [604200-1](#) [605601-1](#) [60598-1-CUT-TAPE](#) [61314-6-C](#) [61810-3](#) [61-S](#) [61-SN](#) [626-0194](#) [62-NBM-A](#) [62-SN](#) [62-SP](#) [63-S](#) [640179-1](#) [M55155/059I03](#) [M55155/079C01](#) [M55155/099H02](#) [M55155/109H01](#) [M55155/109H02](#) [M55155/12XH05](#) [M55155/16XH02](#)