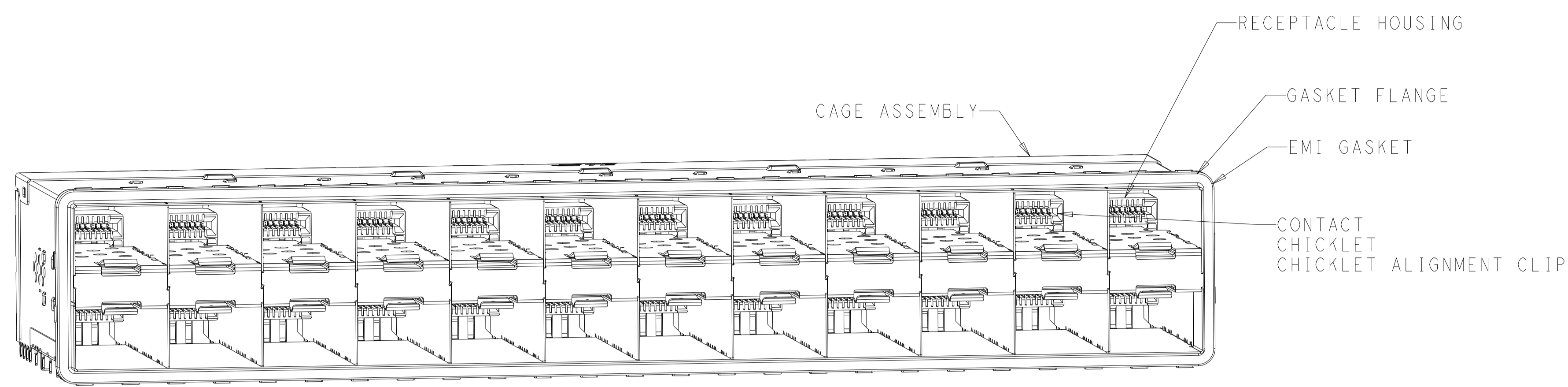
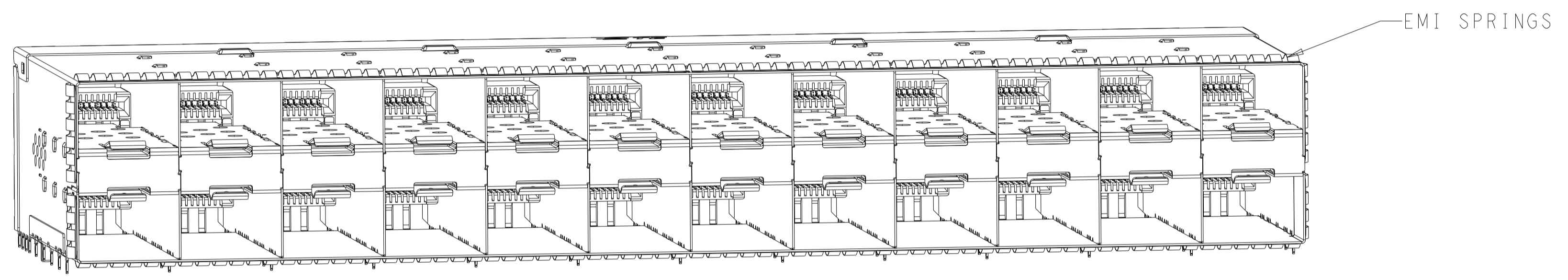


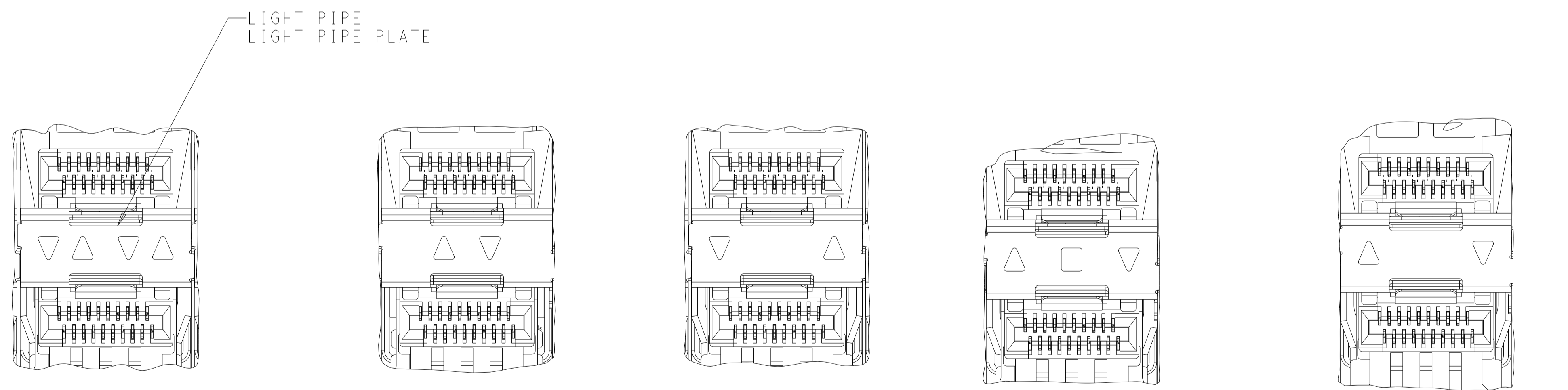
LOC		DIST		REVISIONS			
GP	00	P	LTN	DESCRIPTION	DATE	DWN	APVD
		A		PRODUCTION RELEASE	05JUN2019	JW	SH
		B		REVISED PER ECO-20-014521	13OCT2020	JY	SH
		B1		ADD PN 2-2349201-3,2-2349201-4	23APR2021	SZ	SZ



2349201-1



2349201-5



INNER/OUTER LIGHT PIPE
2349201-2, 2349201-6
SCALE 4:1

INNER LIGHT PIPE
2349201-3, 2349201-7
SCALE 4:1

OUTER LIGHT PIPE
2349201-4, 2349201-8
SCALE 4:1

CENTER/
REVERSE OUTER LIGHT PIPE
1-2349201-7, 1-2349201-9
SCALE 4:1

REVERSE OUTER LIGHT PIPE
1-2349201-8, 2-2349201-0
SCALE 4:1

- MATERIALS:
 CAGE ASSEMBLY - NICKEL-SILVER ALLOY PER ASTM B 122
 RECEPTACLE HOUSING - LCP, BLACK, UL 94V-O RATED
 CHICKLET - LCP, BLACK, UL 94V-O RATED
 CHICKLET ALIGNMENT CLIP - LCP, BLACK, UL94V-O RATED
 CONTACT - COPPER ALLOY
 EMI GASKET - ELASTOMERIC
 GASKET FLANGE - STAINLESS STEEL
 LIGHT PIPE - POLYCARBONATE
 LIGHT PIPE PLATE - STAINLESS STEEL
 EMI SPRINGS - PHOSPHOR BRONZE PER ASTM B103
 INSULATOR TAPE: KAPTON
 - CONTACT FINISH:
 0.76µm MIN GOLD PER ASTM B 844 AT MATING INTERFACE,
 1.25µm MIN MATTE TIN PER ASTM B 545 AT PCB INTERFACE
 ALLOVER 2.54µm MIN NICKEL PER QQ-N-290.
 - PCB MINIMUM THICKNESS = 1.5mm
- ⚠️ FOR HOLE SIZE AND PLATINGS,
SEE APPLICATION SPECIFICATION 114-13319
- ⚠️ LIGHT PIPE PAD LAYOUT IS FOR 0805 LOW PROFILE
LED PACKAGE WITH A HEIGHT OF 0.8mm
- ⚠️ THE ENTIRE AREA OF THE CONNECTOR FOOTPRINT, INDICATED BY THE
DASHED LINE, TO BE CONSIDERED THE KEEPOUT AREA FOR COMPONENTS
AND SIGNAL TRACES, TOP SIDE ONLY, TOP SIDE TRACES ALLOWED
WITHIN CONNECTOR HOLE PATTERN
- ⚠️ DIMENSION APPLIES FROM EMI SPRINGS ONLY.

173.5	EMI SPRINGS	NONE, AIRFLOW ENHANCE	2-2349201-4
		INNER, AIRFLOW ENHANCE	2-2349201-3
173.5	EMI SPRINGS	NONE, AIRFLOW ENHANCE WITH INSULATOR TAPE	2-2349201-2
		NONE, AIRFLOW ENHANCE	2-2349201-1
173.5	EMI SPRINGS	REVERSED OUTER	2-2349201-0
		CENTER/REVERSED OUTER	1-2349201-9
176.25	EMI GASKET	REVERSED OUTER	1-2349201-8
		CENTER/REVERSED OUTER	1-2349201-7
173.5	EMI SPRINGS	OUTER	2349201-8
		INNER	2349201-7
		INNER/OUTER	2349201-6
176.25	EMI GASKET	NONE	2349201-5
		OUTER	2349201-4
		INNER	2349201-3
(E)	CAGE TYPE	INNER/OUTER	2349201-2
		NONE	2349201-1
		LIGHT PIPE CONFIGURATION	PART NUMBER

THIS DRAWING IS A CONTROLLED DOCUMENT. DIMENSIONING AND TOLERANCING PER ASME Y14.5M-2009.

APPROVED: S. HAN 27FEB2019

NAME: RECEPTACLE ASSEMBLY, 2X12, STACKED, SFP56

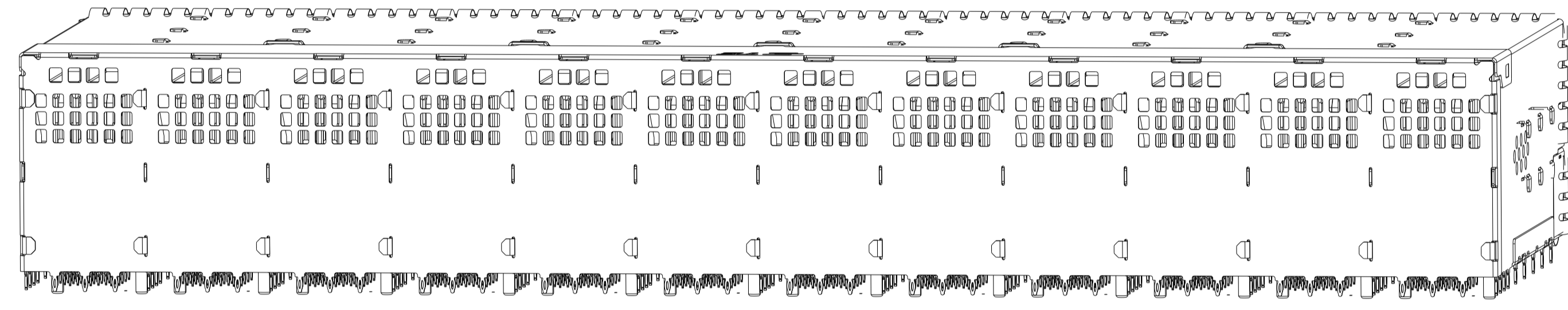
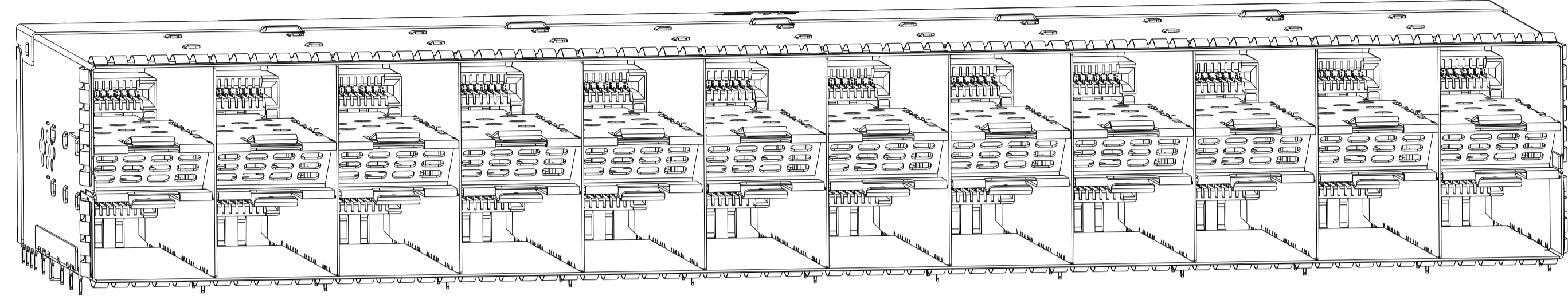
SIZE: A1 00779 C=2349201

SCALE: 2:1 SHEET 1 OF 8 REV: B1

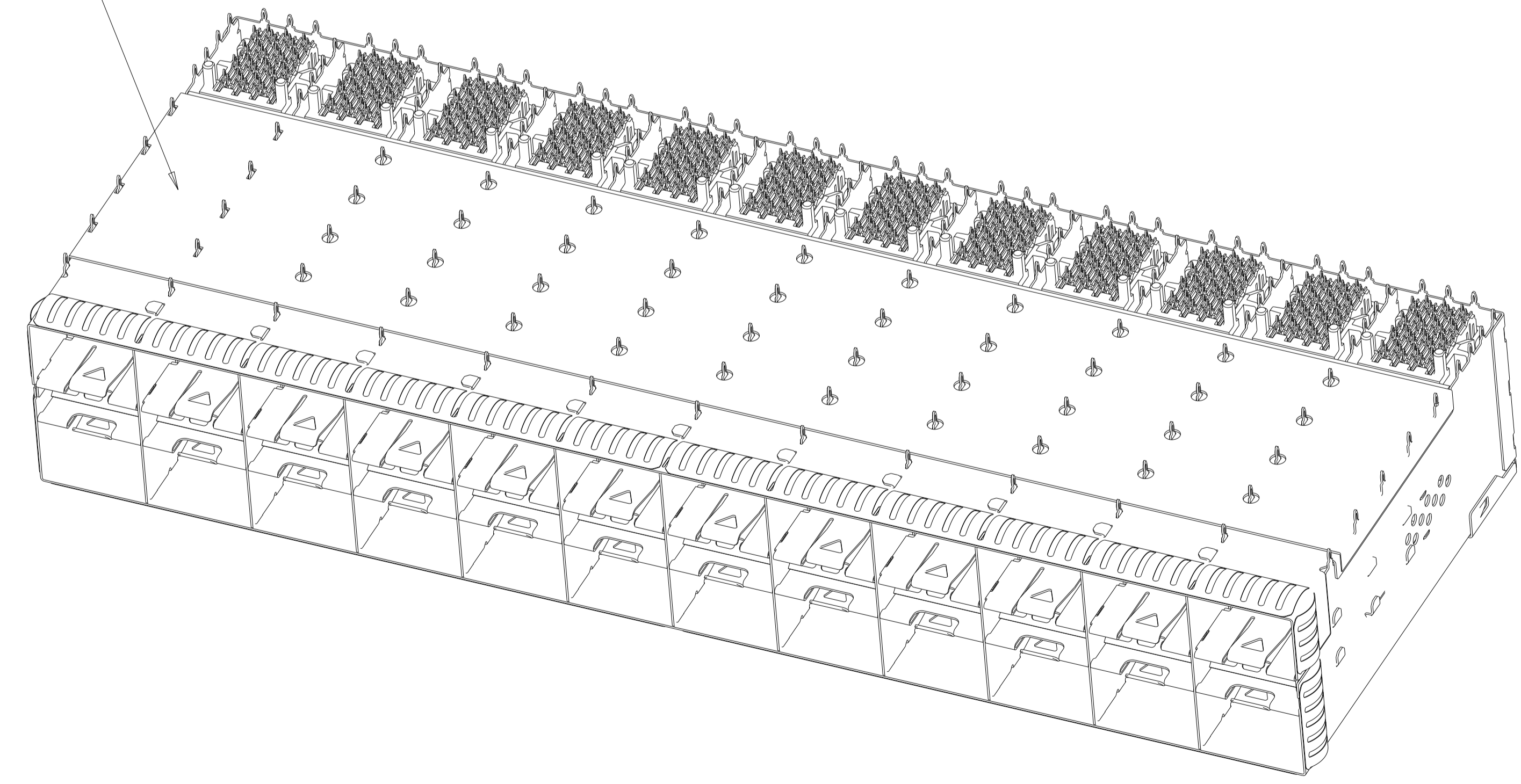
TE Connectivity

LOC	DIST	REVISIONS					
GP	00	P	LYR	DESCRIPTION	DATE	DWN	APVD
		-		SEE SHEET 1			

2-2349201-1/2-2349201-2 AIR FLOW ENHANCE VERSION
 UNMARKED DIMENSIONS ARE SAME AS 2349201-7



INSULATOR TAPE
 ONLY FOR 2-2349201-2



SCALE 2:1

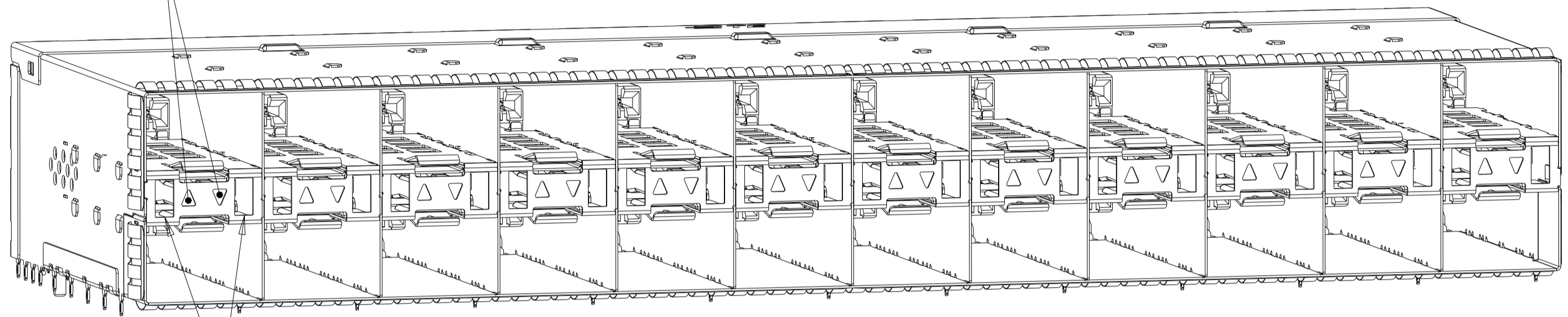
THIS DRAWING IS A CONTROLLED DOCUMENT.		DWN J. WANG 27FEB2019	
DIMENSIONS: mm		CHK S. HAN 27FEB2019	
		APVD S. HAN 27FEB2019	NAME RECEPTACLE ASSEMBLY, 2X12, STACKED, SFP56
TOLERANCES UNLESS OTHERWISE SPECIFIED:		PRODUCT SPEC 108-2431	SIZE A1
0 PLC ±0.25 1 PLC ±0.25 2 PLC ±0.25 3 PLC ±0.25 4 PLC ±0.25 ANGLES ±° FINISH ±5°		APPLICATION SPEC 114-13319	CAGE CODE 100779
MATERIAL SEE NOTES		WEIGHT -	DRAWING NO C=2349201
		CUSTOMER DRAWING	RESTRICTED TO -
		SCALE 2:1	SHEET 2 OF 8
			REV B1

LOC		DIST		REVISIONS			
P	LYR	DESCRIPTION	DATE	DWN	APVD		
-		SEE SHEET 1	-	-	-		

2-2349201-3 AIR FLOW ENHANCE VERSION
UNMARKED DIMENSIONS ARE SAME AS 2-2349201-1

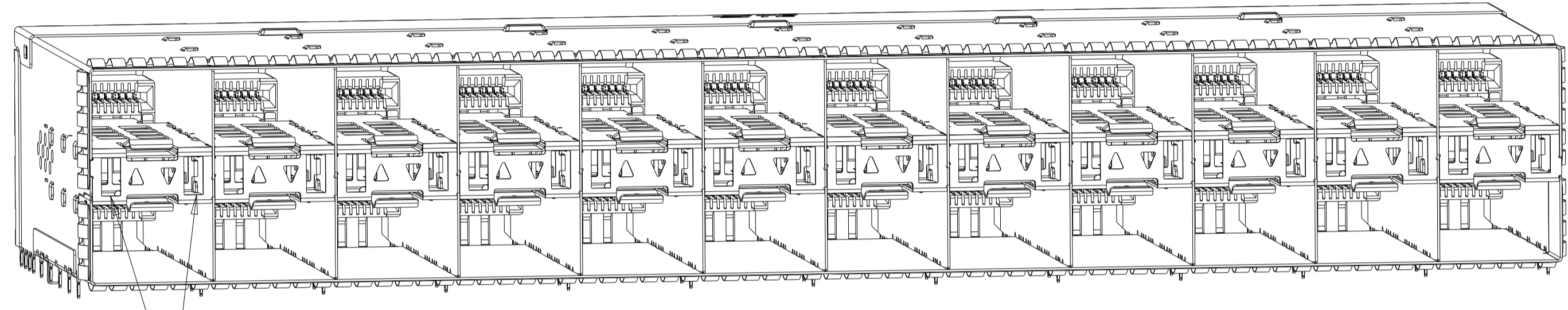
2-2349201-4 AIR FLOW ENHANCE VERSION
UNMARKED DIMENSIONS ARE SAME AS 2-2349201-1

INNER LIGHT PIPE



CUSTOMIZED VENT HOLES

SCALE 2:1

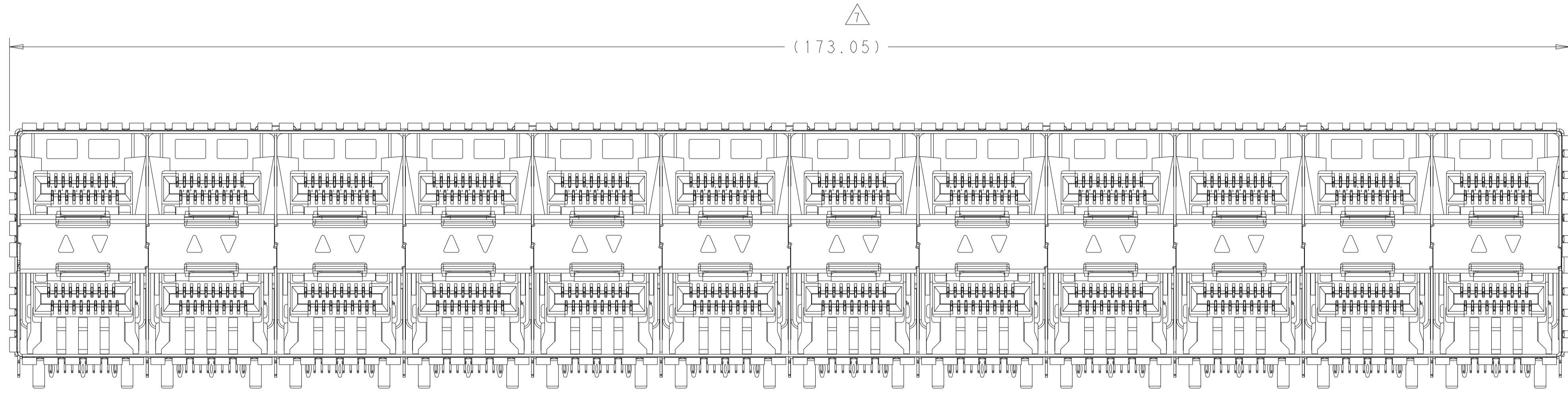


CUSTOMIZED VENT HOLES

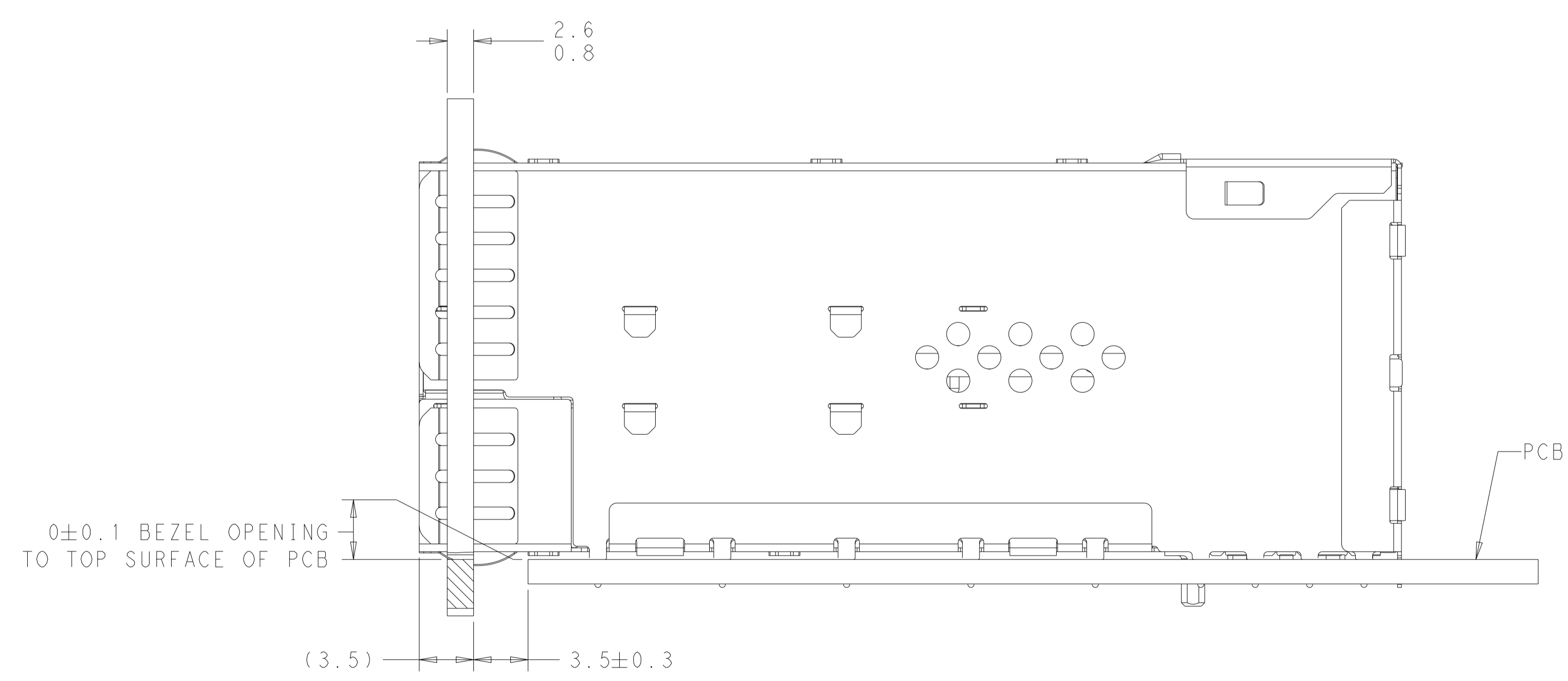
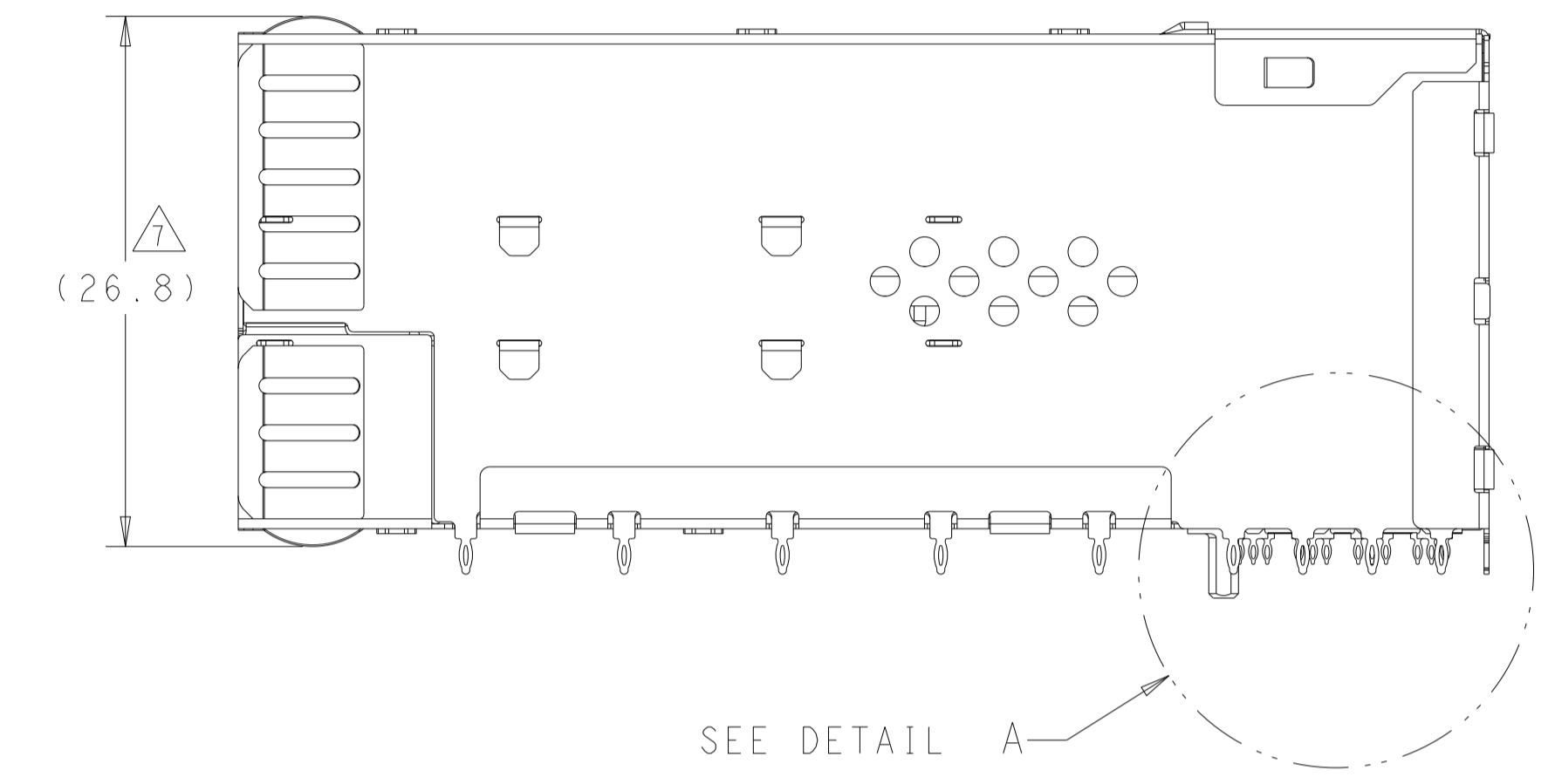
SCALE 2:1

THIS DRAWING IS A CONTROLLED DOCUMENT.		DWN J. WANG 27FEB2019	
DIMENSIONS:		CHK S. HAN 27FEB2019	
mm	TOLERANCES UNLESS OTHERWISE SPECIFIED:	APVD S. HAN 27FEB2019	NAME RECEPTACLE ASSEMBLY, 2X12, STACKED, SFP56
 0 PLC ±0.25 1 PLC ±0.25 2 PLC ±0.25 3 PLC ±0.25 4 PLC ±0.25 ANGLES ±° FINISH ±5°	TOLERANCES UNLESS OTHERWISE SPECIFIED: 0 PLC ±0.25 1 PLC ±0.25 2 PLC ±0.25 3 PLC ±0.25 4 PLC ±0.25 ANGLES ±° FINISH ±5°	PRODUCT SPEC 108-2431 APPLICATION SPEC 114-13319 WEIGHT -	SIZE A1 CAGE CODE 00779 DRAWING NO C=2349201 RESTRICTED TO -
MATERIAL SEE NOTES	SEE NOTES	CUSTOMER DRAWING	SCALE 2:1 SHEET 3 OF 8 REV B1

LOC	DIST	REVISIONS					
GP	00	P	LYR	DESCRIPTION	DATE	DWN	APVD
		-		SEE SHEET 1			

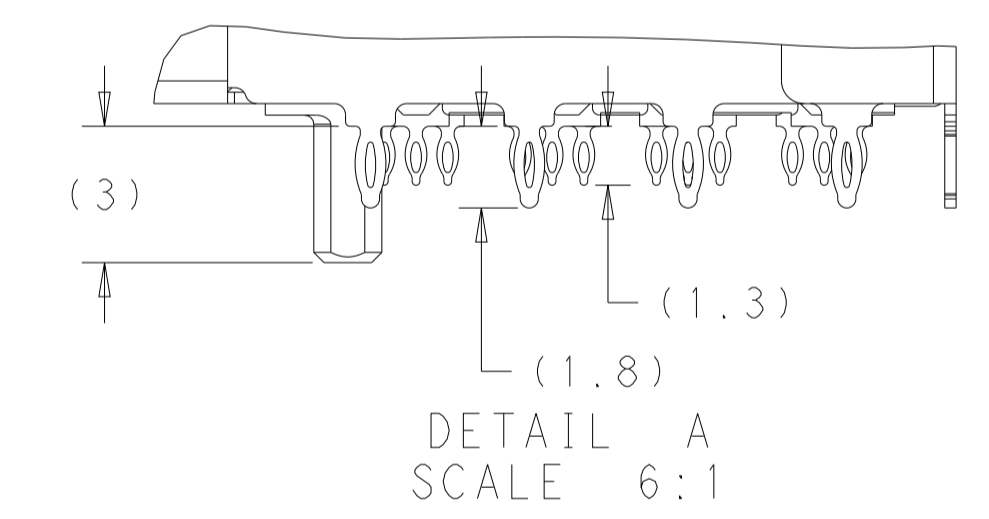


2349201-7
 EMI SPRINGS ONLY
 SCALE 3:1



0±0.1 BEZEL OPENING
 TO TOP SURFACE OF PCB

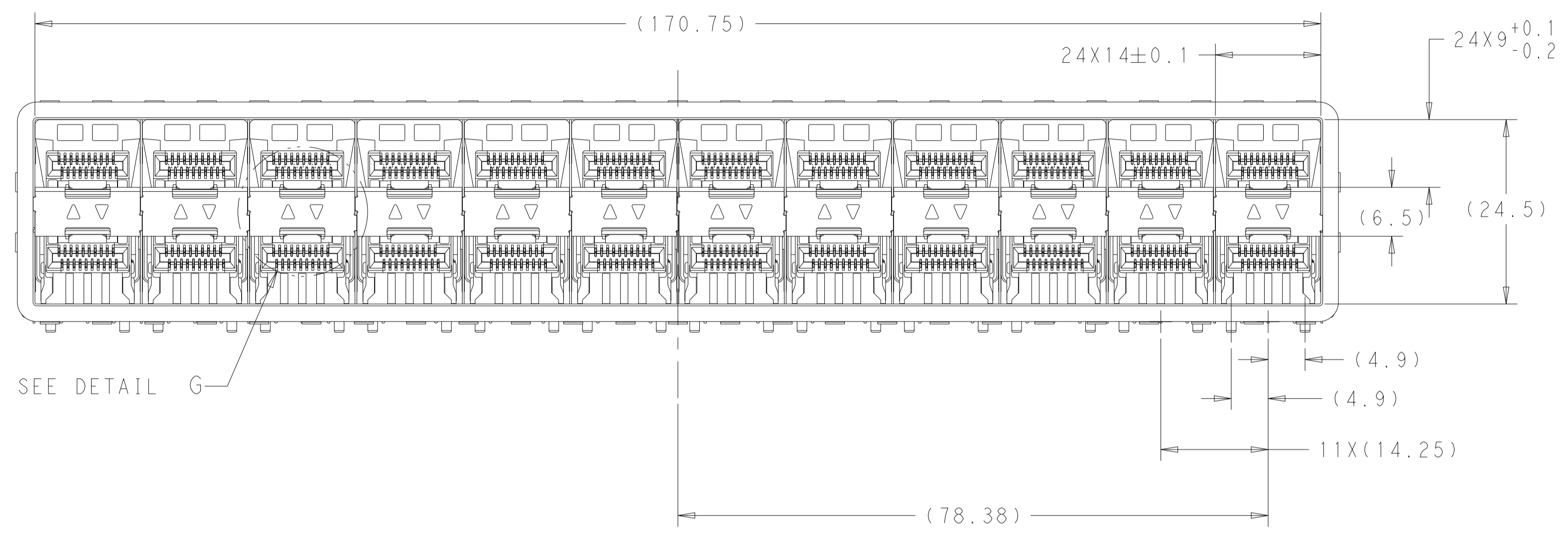
RECOMMENDED BEZEL LOCATION WITH EMI SPRINGS
 SCALE 4:1



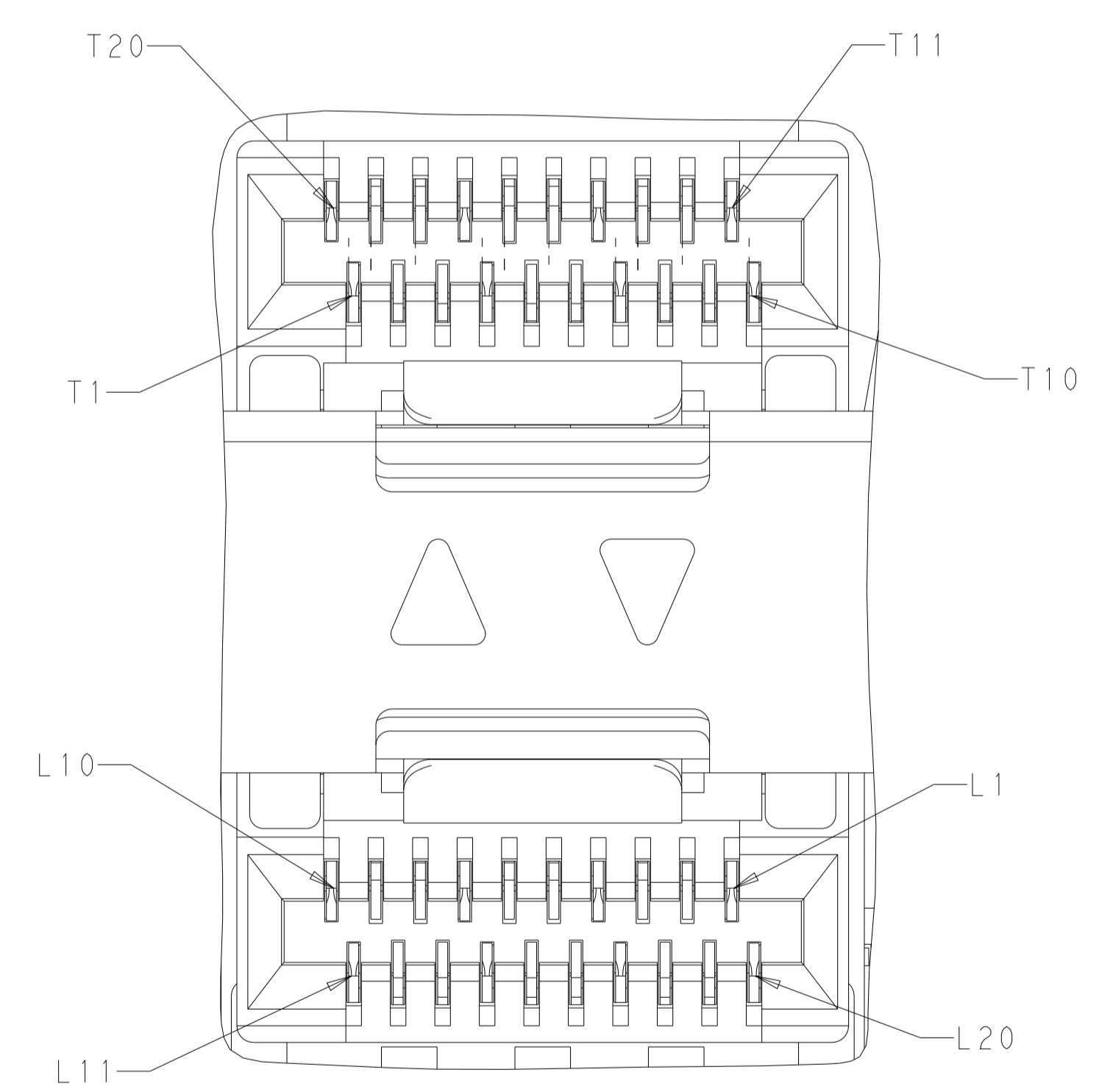
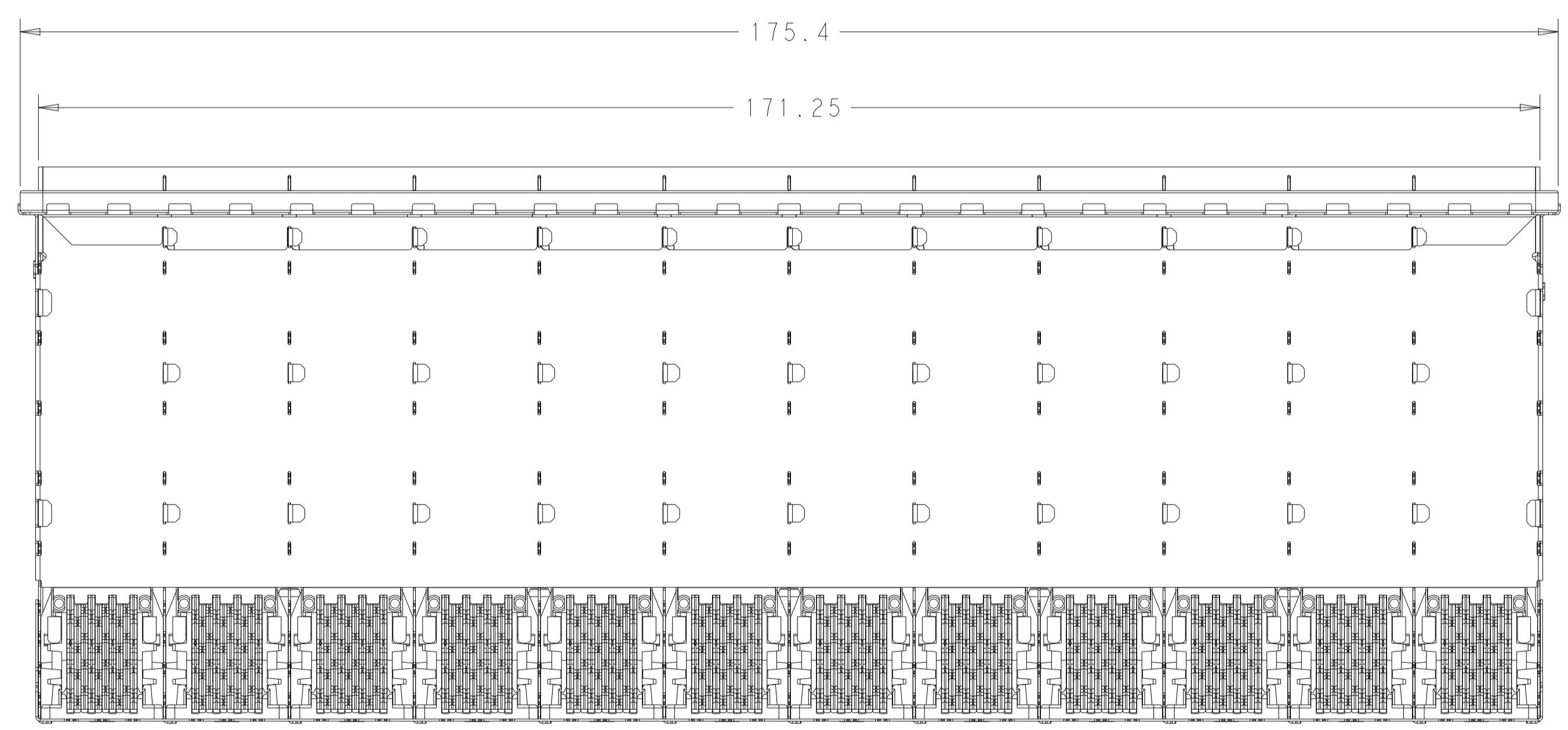
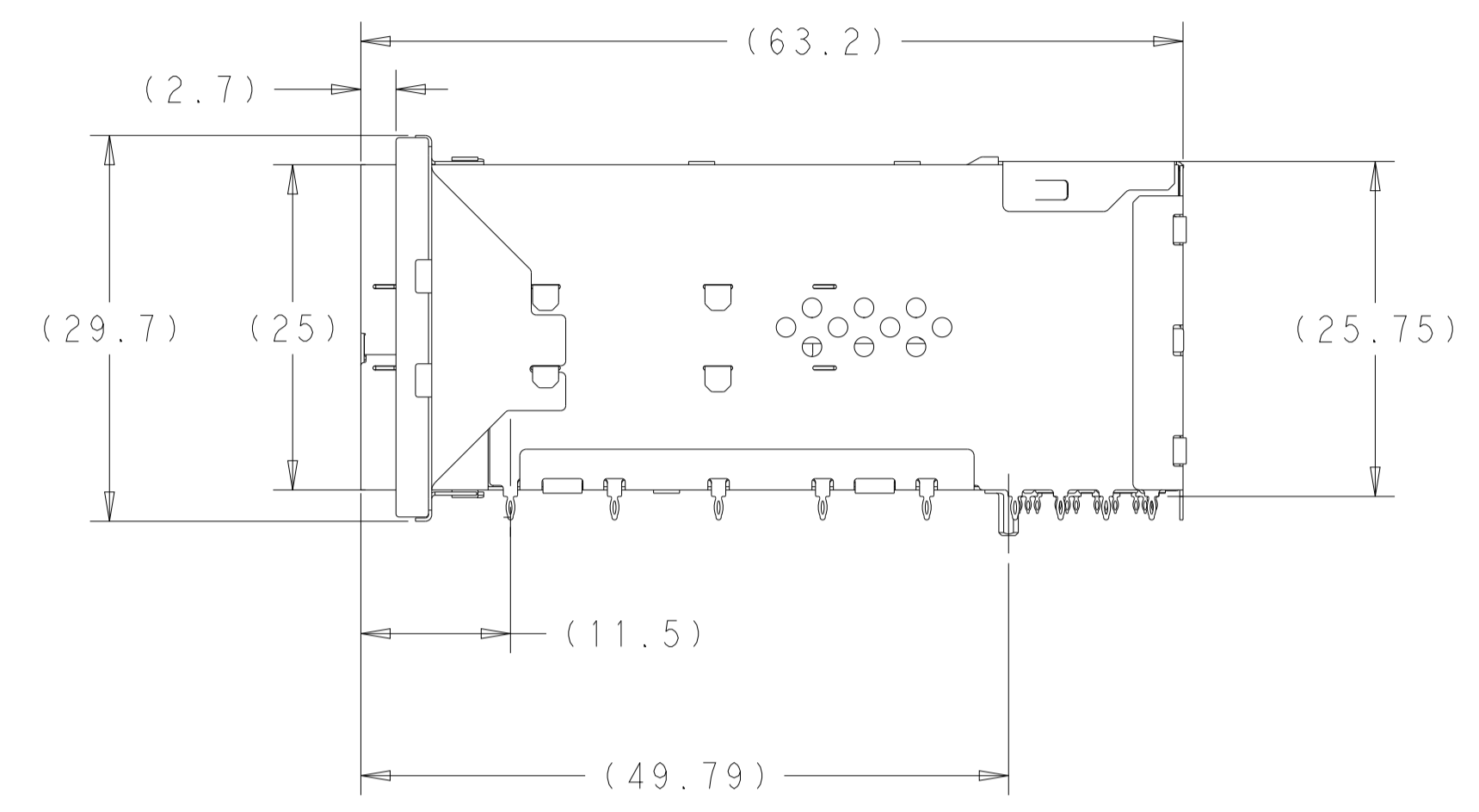
DETAIL A
 SCALE 6:1

THIS DRAWING IS A CONTROLLED DOCUMENT.		DWN J. WANG 27FEB2019	TE Connectivity
DIMENSIONS:		CHK S. HAN 27FEB2019	
mm	TOLERANCES UNLESS OTHERWISE SPECIFIED:	APVD S. HAN 27FEB2019	NAME RECEPTACLE ASSEMBLY, 2X12, STACKED, SFP56
	0 PLC ±0.25 1 PLC ±0.25 2 PLC ±0.25 3 PLC ±0.25 4 PLC ±0.25 ANGLES ±° FINISH ±5°	PRODUCT SPEC 108-2431	SIZE A1
MATERIAL	SEE NOTES	APPLICATION SPEC 114-13319	CAGE CODE 100779
SEE NOTES	SEE NOTES	WEIGHT	DRAWING NO C=2349201
		CUSTOMER DRAWING	RESTRICTED TO
		SCALE 2:1	SHEET 4 OF 8
			REV B1

LOC		DIST		REVISIONS				
P	LTN	DATE	DMN	APVD	DESCRIPTION	DATE	DMN	APVD
-	-	-	-	-	SEE SHEET 1	-	-	-



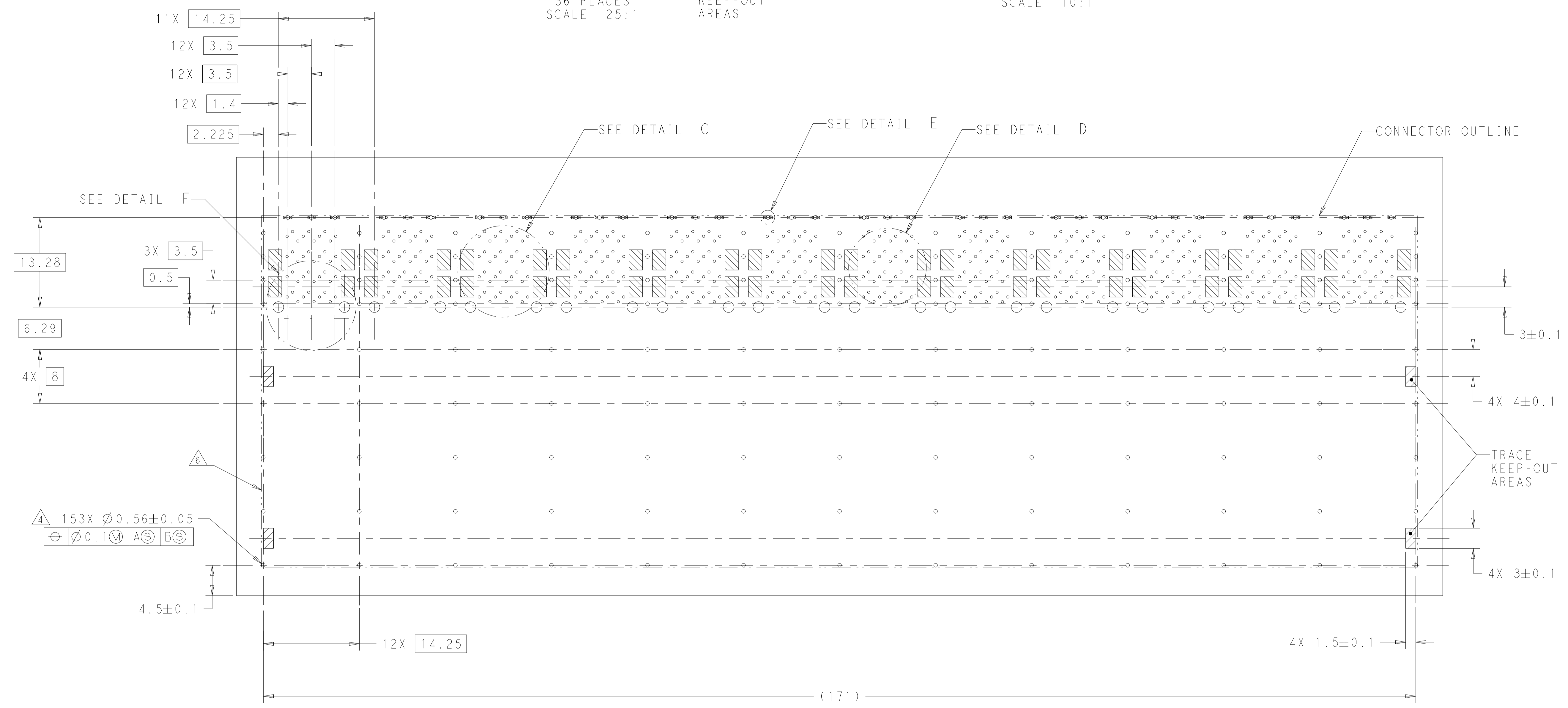
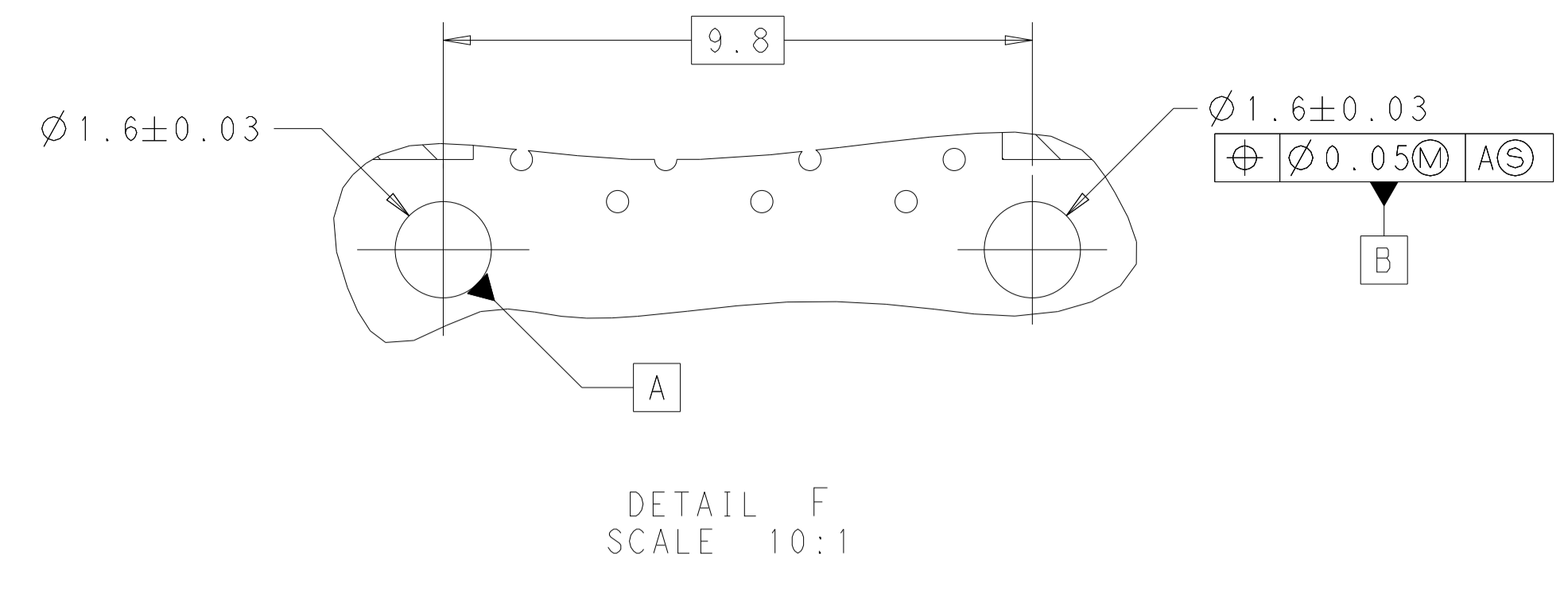
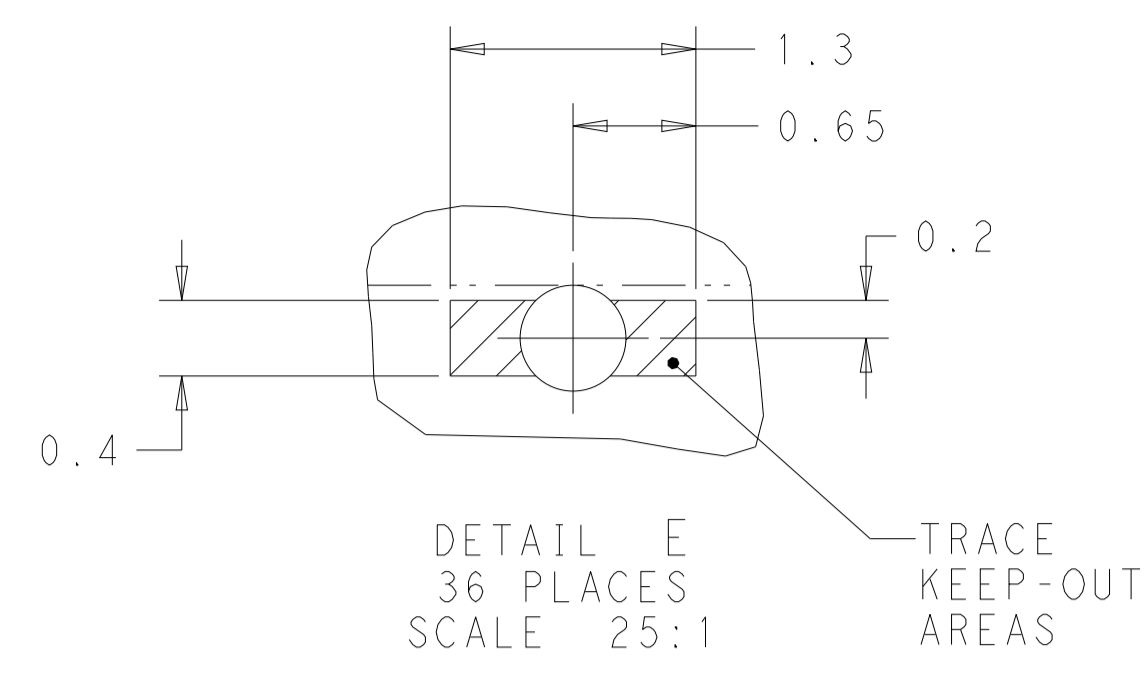
EMI GASKET VERSION



DETAIL G
 12X INDIVIDUALLY
 SCALE 10:1

THIS DRAWING IS A CONTROLLED DOCUMENT. DIMENSIONING AND TOLERANCING PER ASME Y14.5M-2009.		DMN: J. WANG 27FEB2019	TE Connectivity NAME: RECEPTACLE ASSEMBLY, 2X12, STACKED, SFP56 PRODUCT SPEC: 108-2431 APPLICATION SPEC: 114-13319 CAGE CODE: A100779 DRAWING NO: C=2349201 SCALE: 2:1 SHEET: 5 OF 8 REV: B1
DIMENSIONS: mm		CHK: S. HAN 27FEB2019	
TOLERANCES UNLESS OTHERWISE SPECIFIED:		APVD: S. HAN 27FEB2019	
0 PLC ±0.25 1 PLC ±0.25 2 PLC ±0.25 3 PLC ±0.25 4 PLC ±0.25 ANGLES ±° FINISH ±5°		RESTRICTED TO: -	
MATERIAL: SEE NOTES		WEIGHT: -	CUSTOMER DRAWING

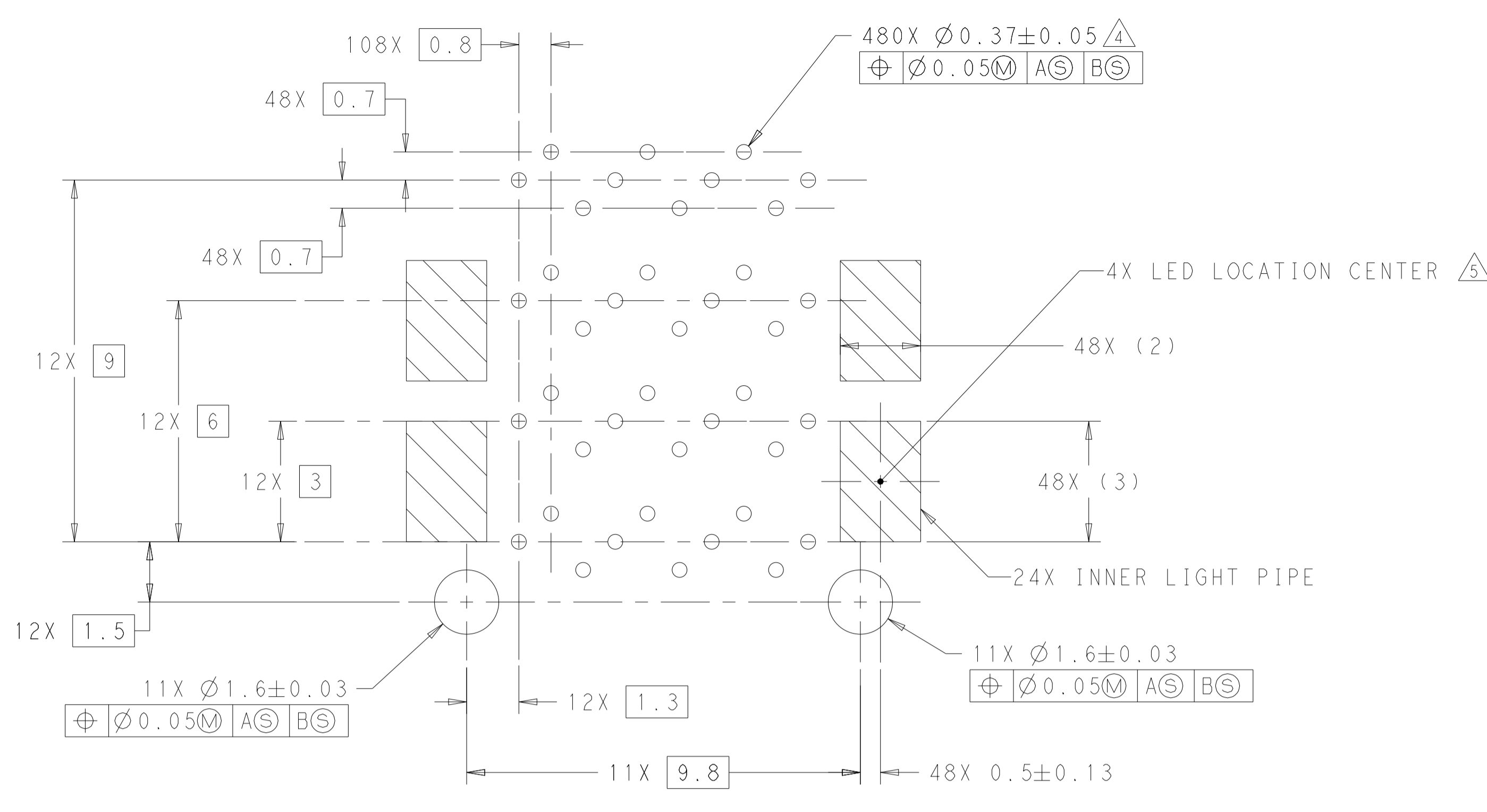
LOC	DIST	REVISIONS					
GP	00	P	LYR	DESCRIPTION	DATE	OWN	APVD
		-		SEE SHEET 1			



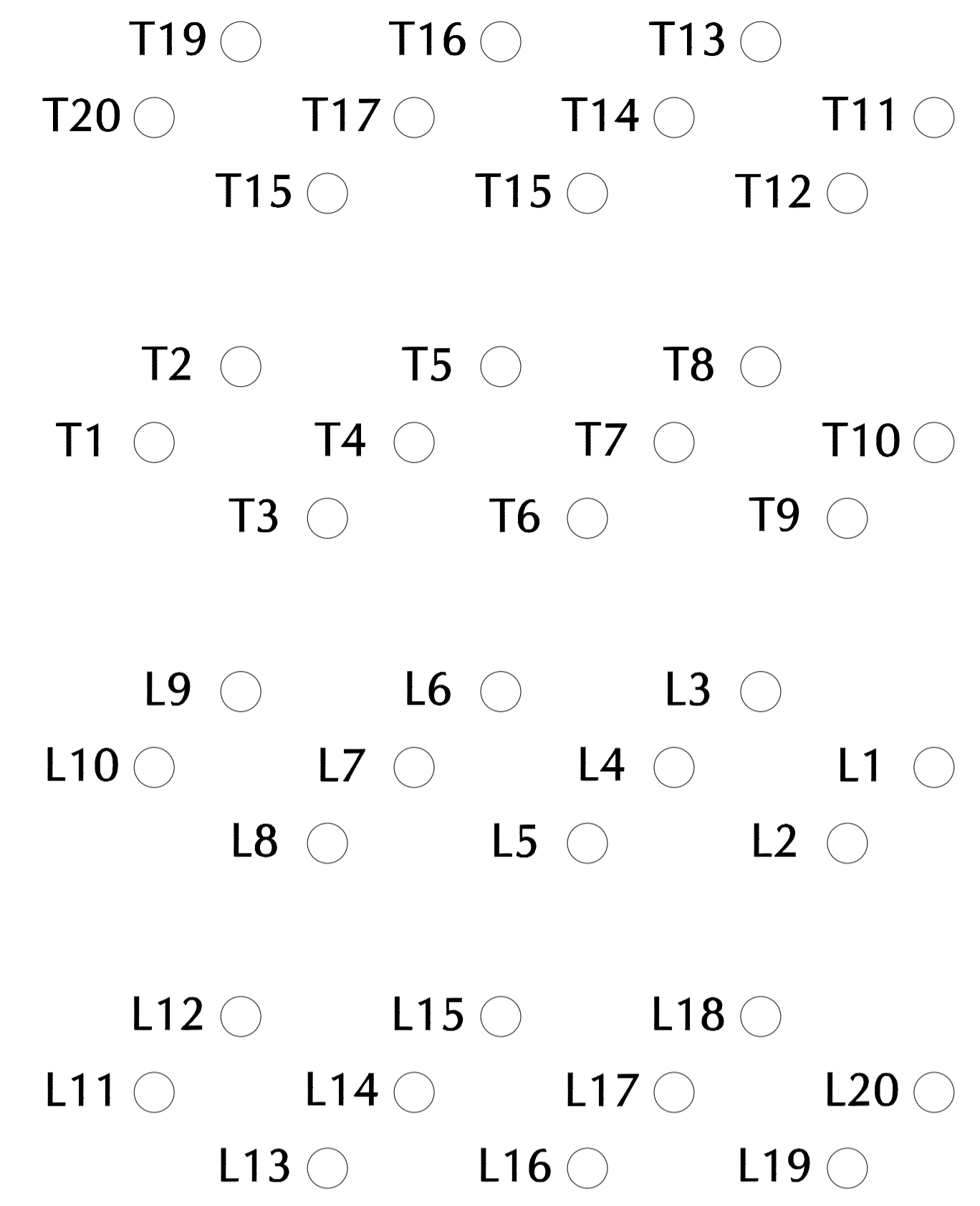
RECOMMENDED PCB LAYOUT
SCALE 3:1

THIS DRAWING IS A CONTROLLED DOCUMENT. DIMENSIONING AND TOLERANCING PER ASME Y14.5M-2009.		OWN: J. WANG 27FEB2019	TE Connectivity
DIMENSIONS: mm		CHK: S. HAN 27FEB2019	
TOLERANCES UNLESS OTHERWISE SPECIFIED:		APVD: S. HAN 27FEB2019	
0 PLC ± 0.25 1 PLC ± 0.25 2 PLC ± 0.25 3 PLC ± 0.25 4 PLC ± 0.25 ANGLES: $\pm 5^\circ$ FINISH:		NAME: RECEPTACLE ASSEMBLY, 2X12, STACKED, SFP56 PRODUCT SPEC: 108-2431 APPLICATION SPEC: 114-13319 WEIGHT:	
MATERIAL: SEE NOTES	SEE NOTES	CUSTOMER DRAWING	SIZE: A1 CAGE CODE: 00779 DRAWING NO: C=2349201 SCALE: 2:1 SHEET: 6 OF 8 REV: B1

LOC	DIST	REVISIONS					
GP	00	P	LTN	DESCRIPTION	DATE	DMN	APVD
		-		SEE SHEET 1			

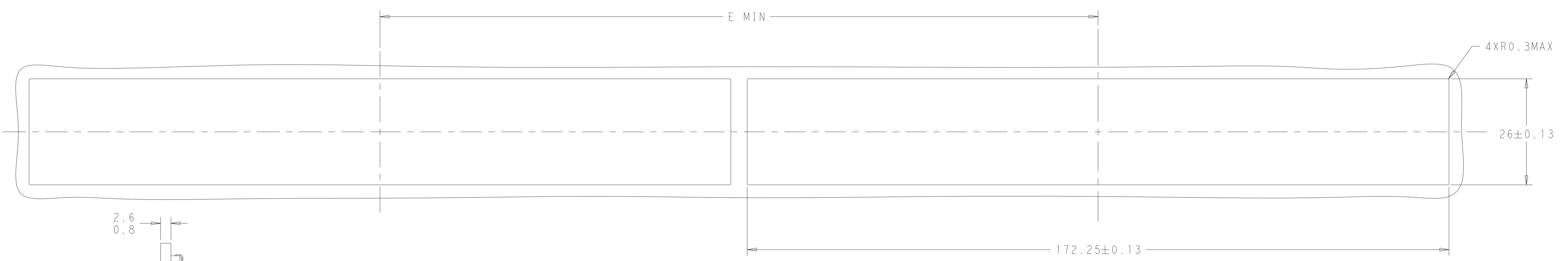


DETAIL C
 RECOMMENDED PIN AND LIGHT PIPE LAYOUT
 SCALE 10:1

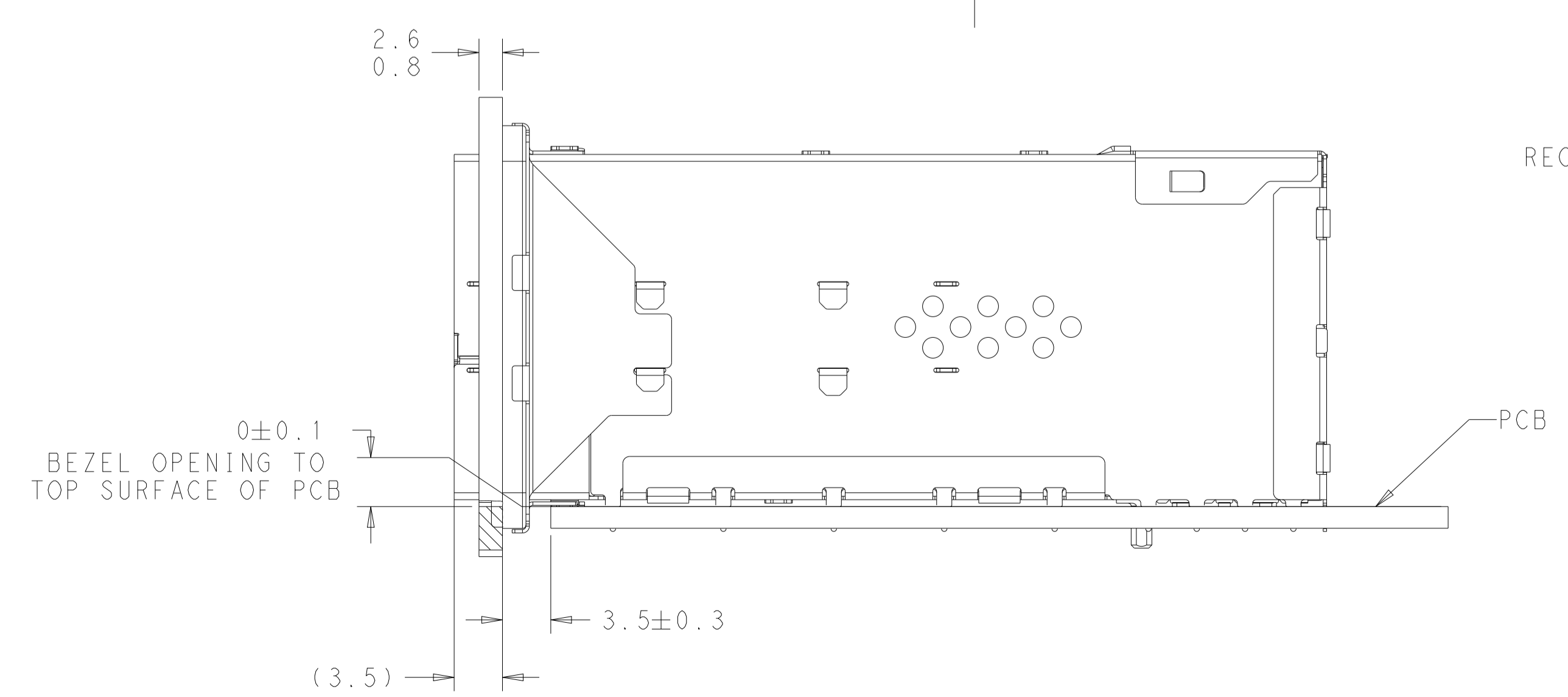


DETAIL D
 PIN MAP
 12 PLACES
 SCALE 20:1

PIN MAP LEGEND	
PIN NUMBER	FUNCTION
L1/T1	VEET
L2/T2	TX-FAULT
L3/T3	TX-DISABLE
L4/T4	SDA
L5/T5	SCL
L6/T6	MOD_ABS
L7/T7	RS0
L8/T8	RX_LOS
L9/T9	RS1
L10/T10	VEER
L11/T11	VEER
L12/T12	RD-
L13/T13	RD+
L14/T14	VEER
L15/T15	VCCR
L16/T16	VCCT
L17/T17	VEET
L18/T18	TD+
L19/T19	TD-
L20/T20	VEET



RECOMMENDED BEZEL CUT OUT DETAIL



RECOMMENDED BEZEL LOCATION WITH EMI GASKET
 SCALE 3:1

THIS DRAWING IS A CONTROLLED DOCUMENT. DIMENSIONING AND TOLERANCING PER ASME Y14.5M-2009.

DIMENSIONS:	TOLERANCES UNLESS OTHERWISE SPECIFIED:	DMN: J. WANG 27FEB2019	TE Connectivity NAME: RECEPTACLE ASSEMBLY, 2X12, STACKED, SFP56
mm	0 PLC ±0.25	CHK: S. HAN 27FEB2019	
	1 PLC ±0.25	APVD: S. HAN 27FEB2019	
	2 PLC ±0.25	PRODUCT SPEC: 108-2431	
	3 PLC ±0.25	APPLICATION SPEC:	SIZE: 114-13319
	4 PLC ±0.25	FINISH: ±5°	RESTRICTED TO:
MATERIAL:	SEE NOTES	WEIGHT:	A100779C=2349201
SEE NOTES	SEE NOTES	CUSTOMER DRAWING	SCALE: 2:1 SHEET 7 OF 8 REV: B1

8

7

6

5

4


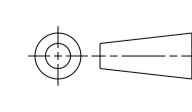
3

2

1

THIS DRAWING IS UNPUBLISHED. RELEASED FOR PUBLICATION 20
 © COPYRIGHT 20 BY TYCO ELECTRONICS ALL RIGHTS RESERVED.

LOC	DIST	REVISIONS					
		REV	LTN	DESCRIPTION	DATE	DWN	APVD
GP	00	-		SEE SHEET 1	-	-	-

THIS DRAWING IS A CONTROLLED DOCUMENT.		OWN J. WANG	27FEB2019	 TE Connectivity
		CHK S. HAN	27FEB2019	
DIMENSIONS:		TOLERANCES UNLESS OTHERWISE SPECIFIED:		NAME RECEPTACLE ASSEMBLY, 2X12, STACKED, SFP56
mm		0 PLC ±0.25		
		1 PLC ±0.25		PRODUCT SPEC
		2 PLC ±0.25		108-2431
		3 PLC ±0.25		APPLICATION SPEC
		4 PLC ±0.25		114-13319
MATERIAL		ANGLES	±°	SIZE
SEE NOTES		FINISH	-	CAGE CODE
		WEIGHT	-	DRAWING NO
				A100779
				©=2349201
				RESTRICTED TO
				-
				CUSTOMER DRAWING
				SCALE
				2:1
				SHEET
				8
				OF
				8
				REV
				B1

X-ON Electronics

Largest Supplier of Electrical and Electronic Components

Click to view similar products for [I/O Connectors](#) category:

Click to view products by [TE Connectivity](#) manufacturer:

Other Similar products are found below :

[571763P](#) [58098-0628](#) [72.250.1628.2](#) [72.250.2428.2](#) [74720-0505](#) [76.350.0729.0](#) [76871-1403](#) [FCN-244F080-G/1](#) [FCN-260A9920](#) [PCR-E36PM](#) [PCS-XE26MA+](#) [G38A71314B](#) [1571250010](#) [157-22500-3](#) [MS3471L14-19P L/C](#) [172501-4002](#) [172501-6002](#) [FCN-260C008-A/L0](#) [FCN-260C024-AL0](#) [FCN-261Z008](#) [2000314-1](#) [200331-1](#) [PCR-E36FC+](#) [PCS-E28FS+](#) [PCS-XE26SLFD+](#) [PCS-XE26SLFDT+](#) [G730VID08BDC24](#) [U90B2054081210](#) [38113800006](#) [DP3AR020WQ1R200](#) [Z4.102.0680.0](#) [500-1040](#) [500-1052](#) [500-1054](#) [ZP-4008-66L](#) [0709821002](#) [DX40-20P\(55\)](#) [5554841-1](#) [MS3474W18-8P-LC*](#) [U90B3054061110](#) [U65-E04-4020](#) [ZPF000000000097891](#) [747360449](#) [10099439-003C-TRLF](#) [10137239-0021LF](#) [E9320-001-01](#) [10137239-0011LF](#) [70289-001LF](#) [70.060.1028.0](#) [109029-ZZ](#)