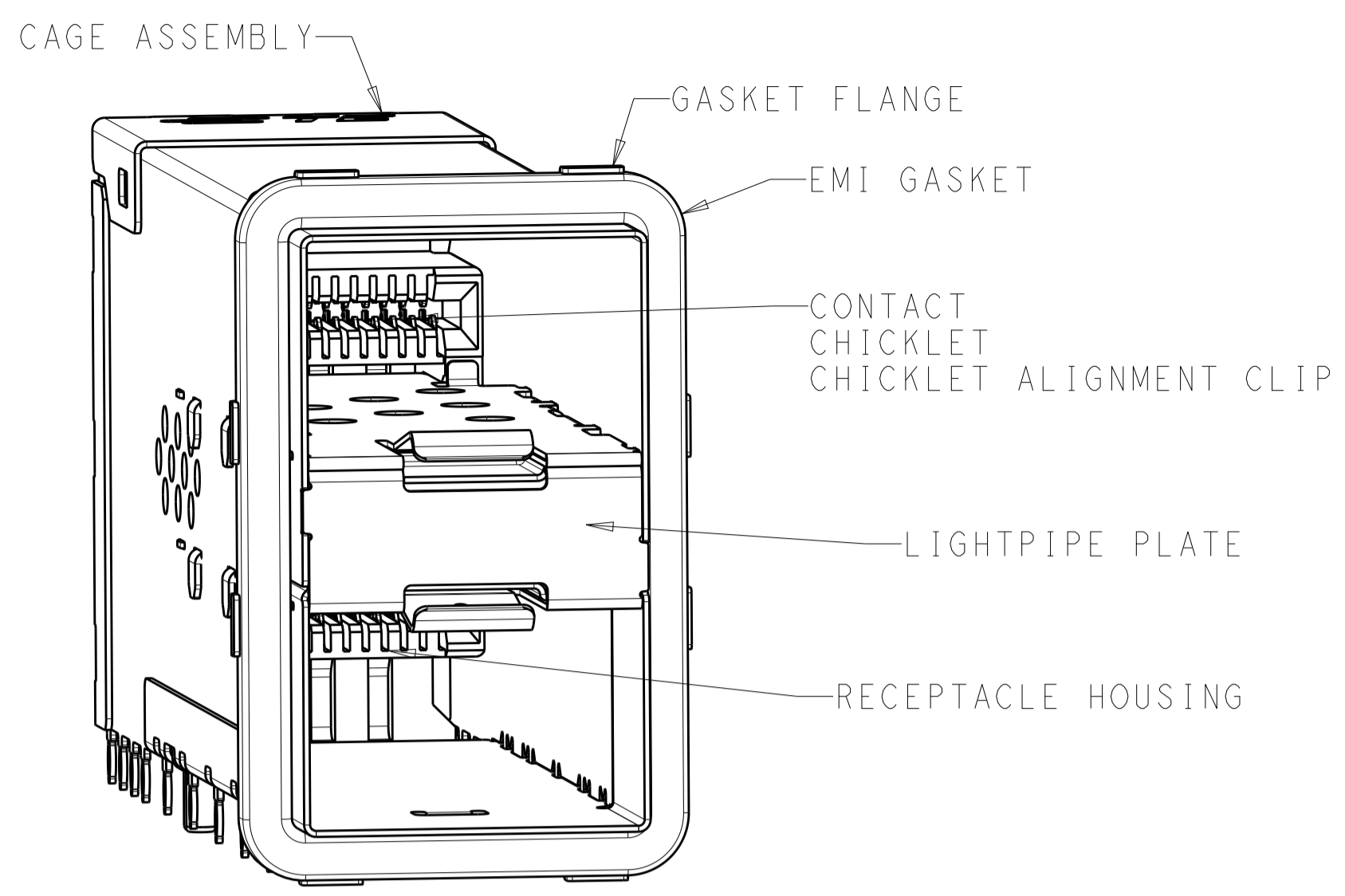
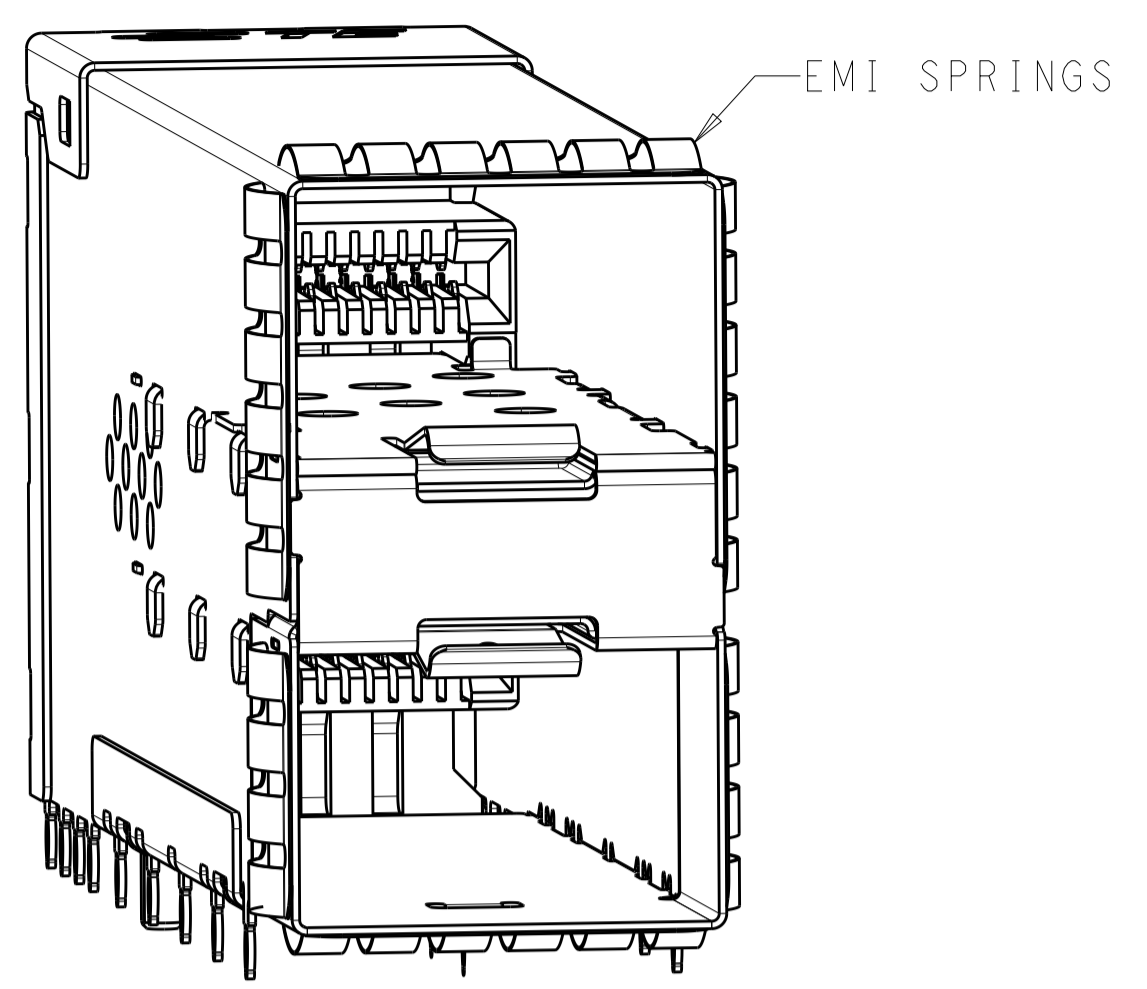


LOC	DIST	REVISIONS					
		P	LTN	DESCRIPTION	DATE	DWN	APVD
GP	00	1		INITIAL RELEASE	26FEB2019	JW	SH



2349202-1  
SCALE 4:1

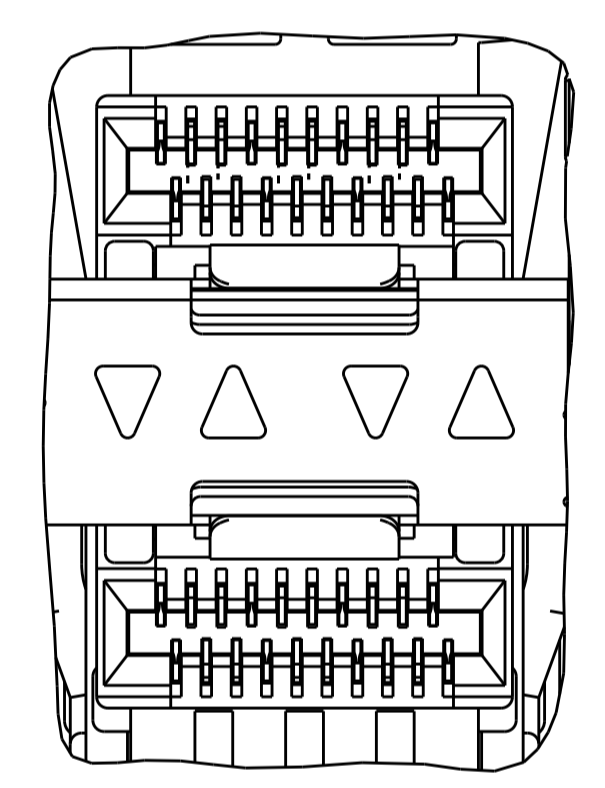


2349202-5  
SCALE 4:1

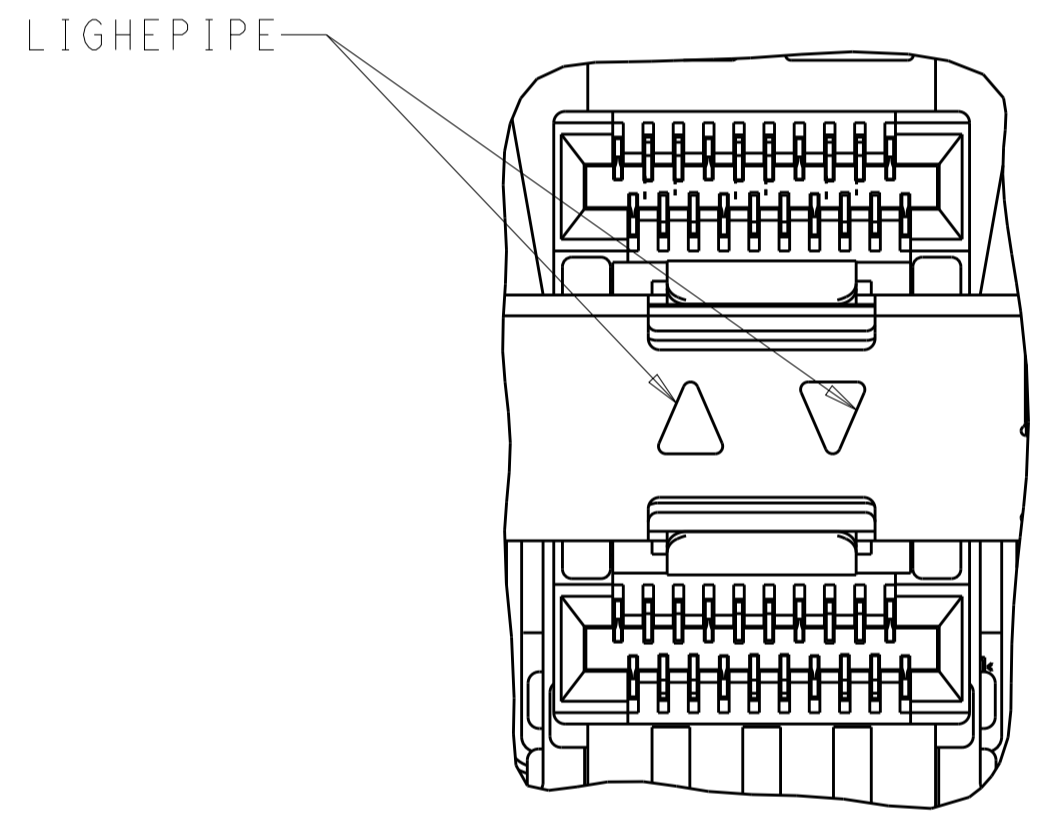
- MATERIALS:**  
 CAGE ASSEMBLY - NICKEL-SILVER ALLOY PER ASTM B 122  
 CONNECTOR HOUSING - LCP, BLACK, UL 94V-0 RATED  
 CHICKLET - LCP, BLACK, UL 94V-0 RATED  
 CHICKLET ALIGNMENT CLIP - LCP, BLACK, UL 94V-0 RATED  
 CONTACT - COPPER ALLOY  
 EMI GASKET - ELASTOMERIC  
 GASKET FLANGE - STAINLESS STEEL  
 EMI SPRINGS - PHOSPHOR BRONZE PER ASTM B 103,  
 0.8µm MIN TIN PER ASTM B 545  
 LIGHT PIPE - POLYCARBONATE  
 LIGHT PIPE PLATE - STAINLESS STEEL

- CONTACT FINISH:**  
 CONFORMS TO THE REQUIREMENTS OF PRODUCT SPECIFICATION 108-2481, BASED ON EIA/ECA-364-1000.01A, (CONTROLLED ENVIRONMENT APPLICATIONS) ON MATING INTERFACE, TIN ON NEEDLE EYE
- PCB MINIMUM THICKNESS = 1.5mm

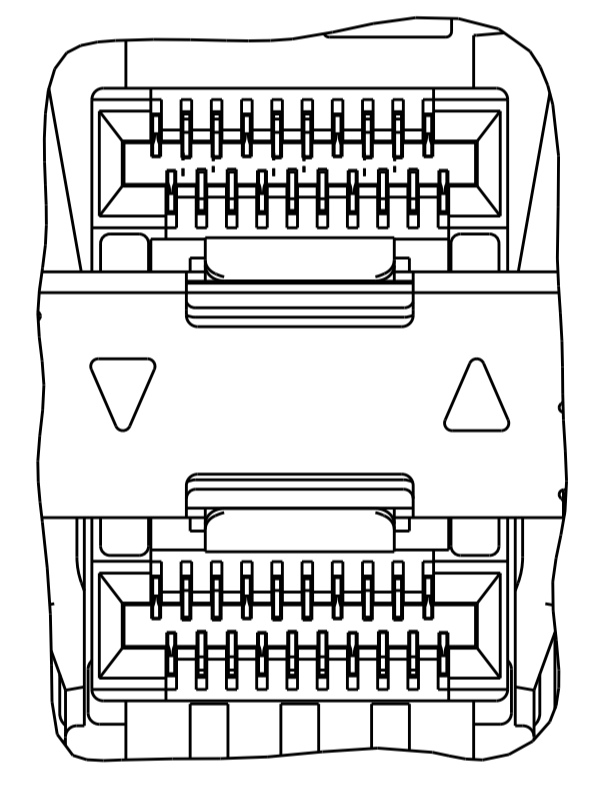
- △4 FOR HOLE SIZE AND PLATINGS, SEE APPLICATION SPECIFICATION 114-13319
- △5 LIGHT PIPE PAD LAYOUT IS FOR 0805 LOW PROFILE LED PACKAGE WITH A HEIGHT OF 0.8mm
- △6 DIMENSIONS APPLY FOR EMI SPRINGS ONLY
- △7 THE ENTIRE AREA OF THE CONNECTOR FOOTPRINT, INDICATED BY THE DASHED LINE, TO BE CONSIDERED THE KEEPOUT AREA FOR COMPONENTS AND SIGNAL TRACES, TOP SIDE ONLY, TOP SIDE TRACES ALLOWED WITHIN CONNECTOR HOLE PATTERN



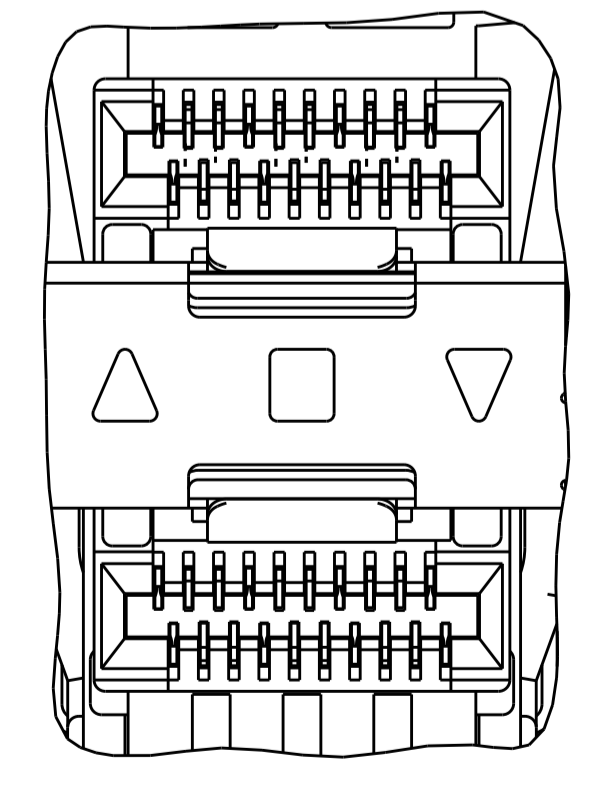
INNER/OUTER LIGHT PIPES  
2349202-2, 2349202-6  
SCALE 5:1



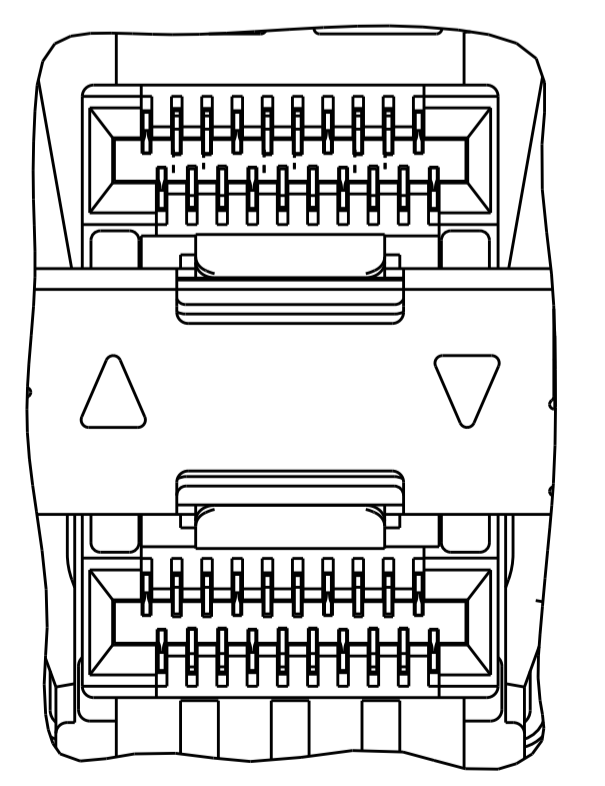
INNER LIGHT PIPES  
2349202-3, 2349202-7  
SCALE 5:1



OUTER LIGHT PIPES  
2349202-4, 2349202-8  
SCALE 5:1



CENTER/REVERSED OUTER LIGHT PIPES  
1-2349202-7, 1-2349202-9  
SCALE 5:1



REVERSED OUTER LIGHT PIPES  
1-2349202-8, 2-2349202-0  
SCALE 5:1

SIZE	EMI SPRINGS	EMI GASKET	EMI SPRINGS	EMI GASKET	CAGE TYPE	PART NUMBER
16.75	EMI SPRINGS	REVERSED OUTER	2-2349202-0			
		CENTER/REVERSED OUTER	1-2349202-9			
19.5	EMI GASKET	REVERSED OUTER	1-2349202-8			
		CENTER/REVERSED OUTER	1-2349202-7			
16.75	EMI SPRINGS	OUTER	2349202-8			
		INNER	2349202-7			
		INNER/OUTER	2349202-6			
		NONE	2349202-5			
19.5	EMI GASKET	OUTER	2349202-4			
		INNER	2349202-3			
		INNER/OUTER	2349202-2			
		NONE	2349202-1			
(E)	CAGE TYPE	LIGHT PIPE CONFIGURATION	PART NUMBER			

THIS DRAWING IS A CONTROLLED DOCUMENT.

DIMENSIONS: mm

TOLERANCES UNLESS OTHERWISE SPECIFIED:  
 0 PLC ±0.25  
 1 PLC ±0.25  
 2 PLC ±0.25  
 3 PLC ±0.25  
 4 PLC ±0.25  
 ANGLES ±°

MATERIAL: SEE NOTES  
 FINISH: SEE NOTES

DWN: J. WANG 26FEB2019  
 CHK: S. HAN 26FEB2019  
 APVD: S. HAN 26FEB2019

PRODUCT SPEC: 108-2481  
 APPLICATION SPEC: 114-13319

SIZE: A1  
 CAGE CODE: 00779  
 DRAWING NO: 2349202

RESTRICTED TO: -

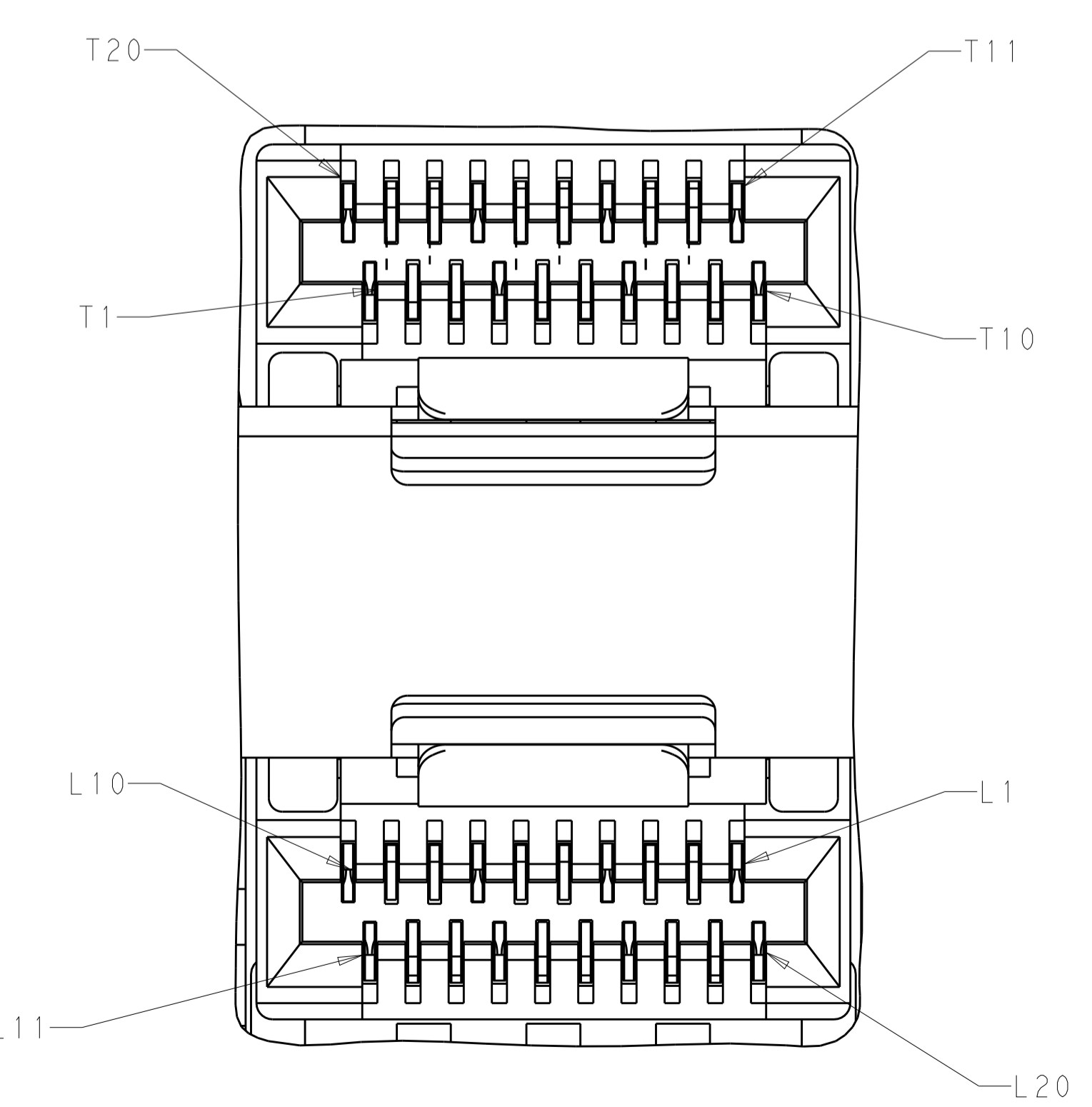
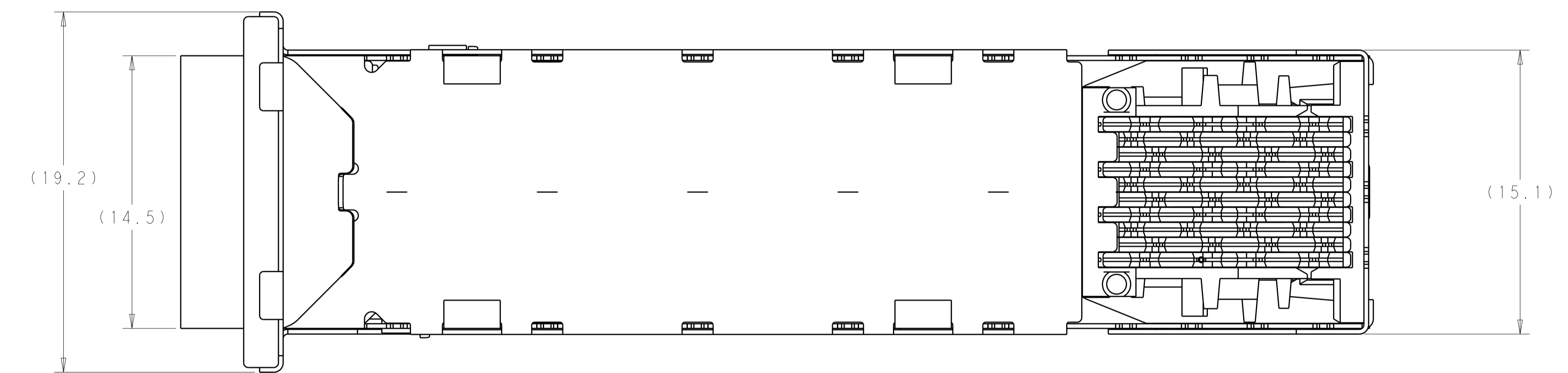
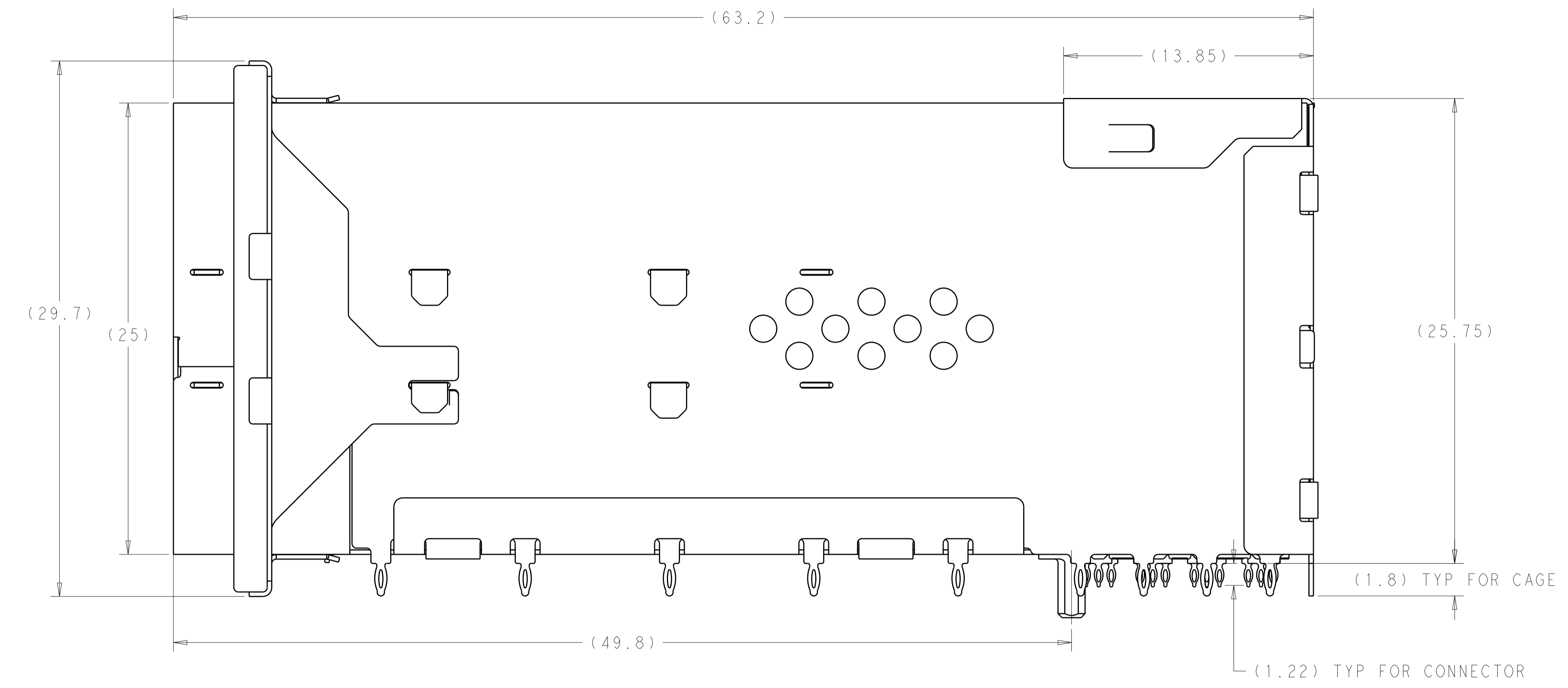
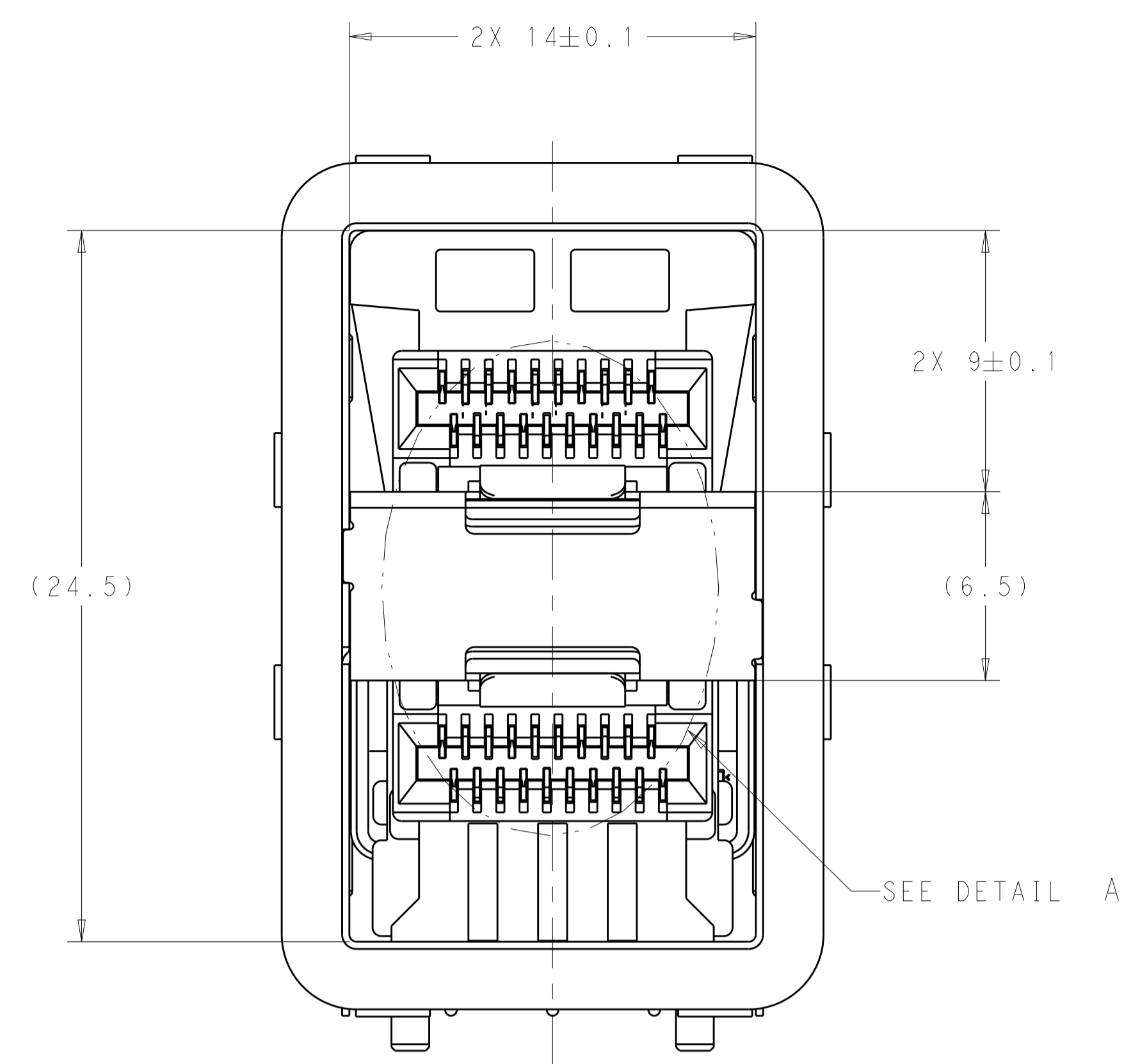
CUSTOMER DRAWING

SCALE: 4:1 SHEET 1 OF 4 REV A

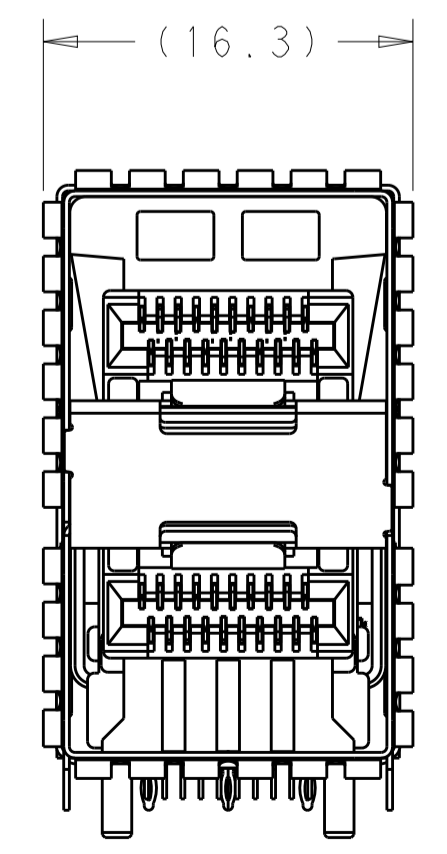
STE TE Connectivity

RECEPTACLE ASSEMBLY, 2X1, STACKED, SFP56

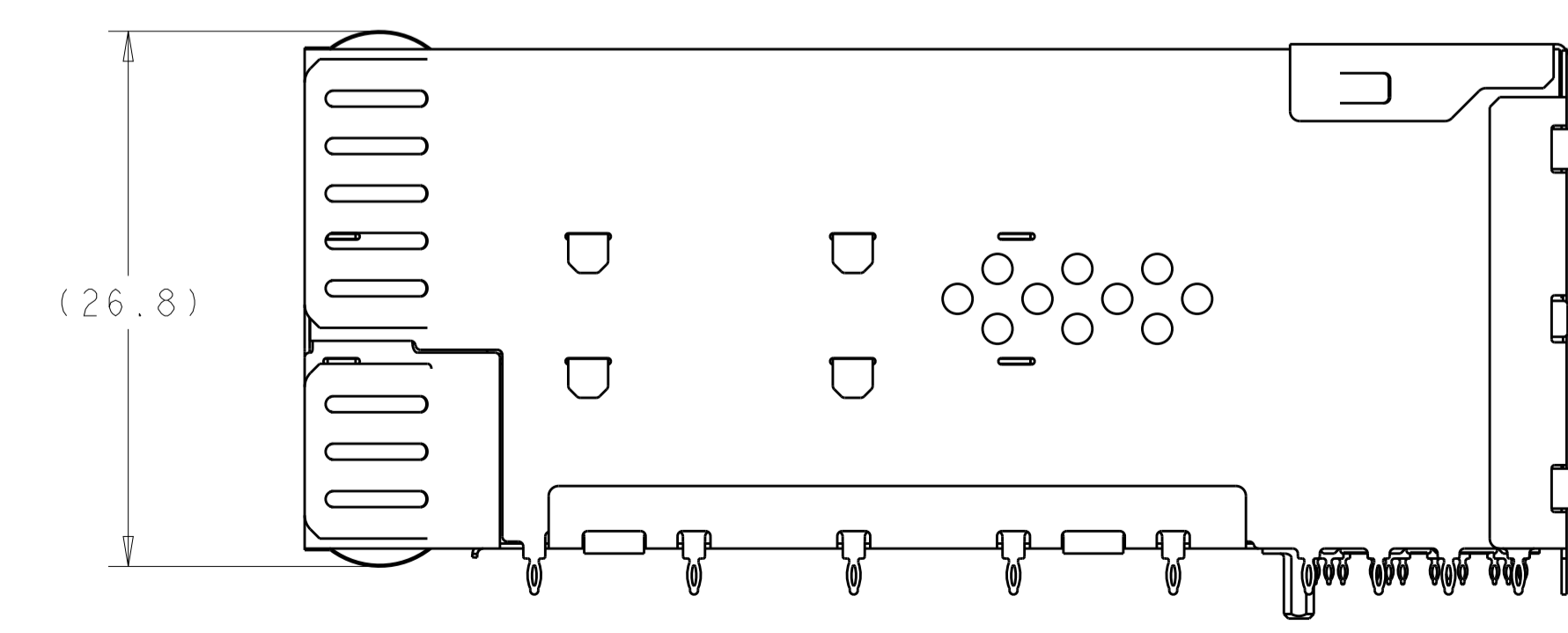
LOC	DIST	REVISIONS			
P	LTN	DESCRIPTION	DATE	DMN	APVD
GP	00	SEE SHEET 1	-	-	-



DETAIL A  
2 PLACES  
SCALE 10:1

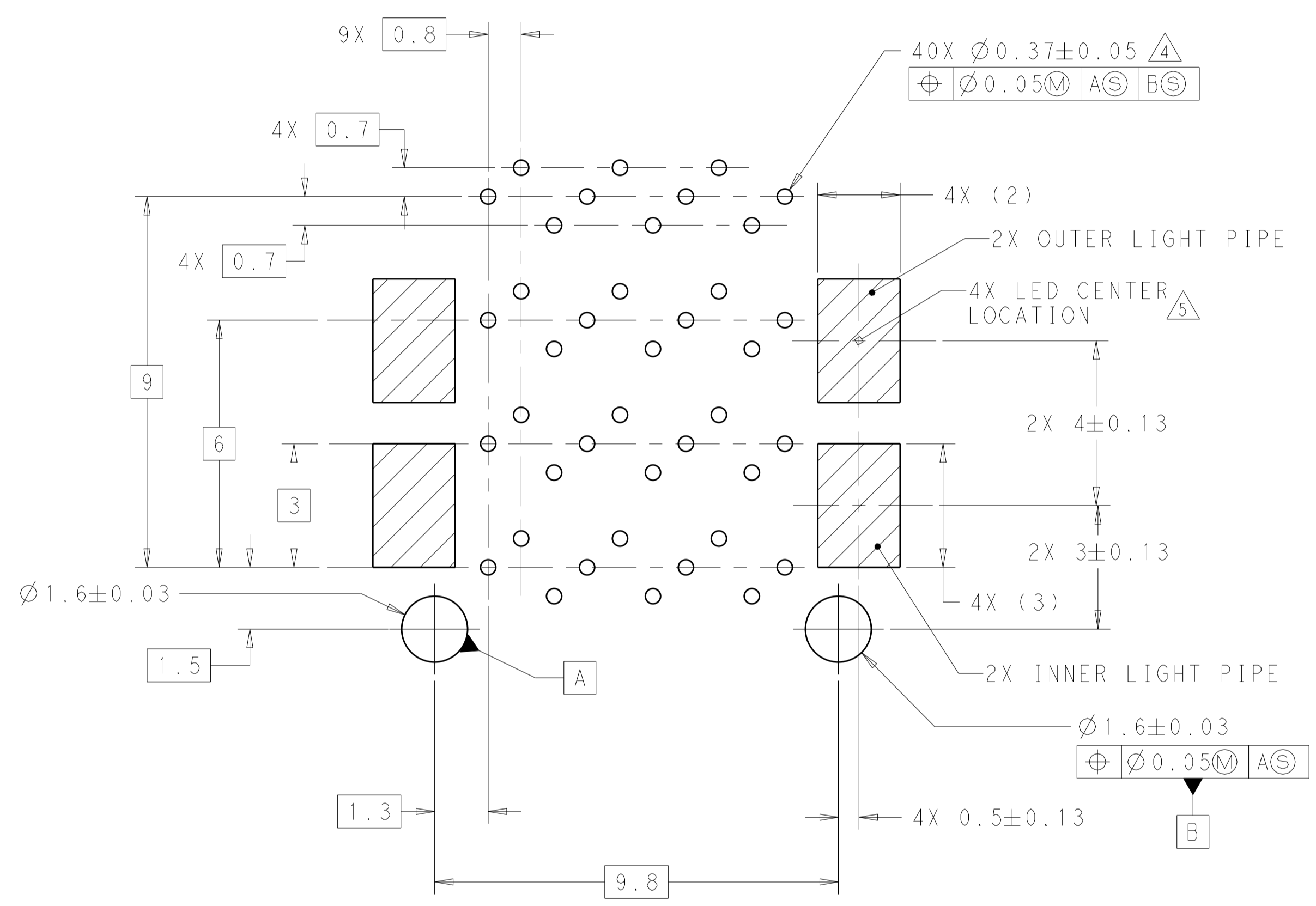
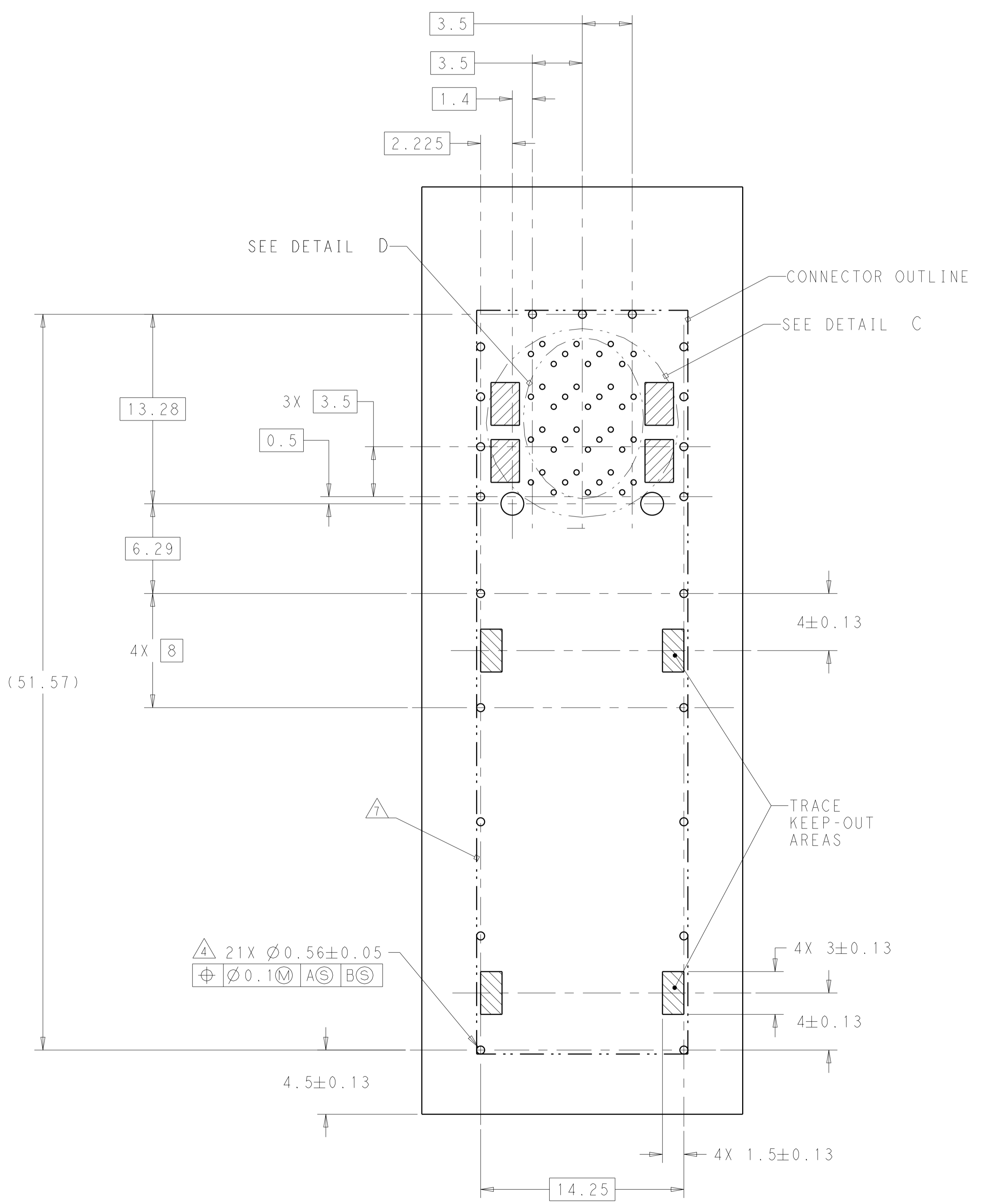


2349202-5 THRU 2349202-8, 1-2349202-9, 2-2349202-0  
EMI SPRINGS ONLY  
SCALE 3:1



THIS DRAWING IS A CONTROLLED DOCUMENT.		DMN: J. WANG 26FEB2019	TE Connectivity
DIMENSIONS: mm		CHK: S. HAN 26FEB2019	
TOLERANCES UNLESS OTHERWISE SPECIFIED:		APVD: S. HAN 26FEB2019	NAME: RECEPTACLE ASSEMBLY, 2X1, STACKED, SFP56
0 PLC ±0.25	1 PLC ±0.25	PRODUCT SPEC: 108-2481	SIZE: A100779
2 PLC ±0.25	3 PLC ±0.25	APPLICATION SPEC: 114-13319	CAGE CODE: C=2349202
4 PLC ±0.25	ANGLES ±°	FINISH: SEE NOTES	RESTRICTED TO: -
MATERIAL: SEE NOTES	FINISH: SEE NOTES	WEIGHT: -	SCALE: 6:1
CUSTOMER DRAWING		DATE: -	SHEET: 2 OF 4
		REV: A	

LOC	DIST	REVISIONS					
GP	00	P	LTN	DESCRIPTION	DATE	DMN	APVD
		-		SEE SHEET 1	-	-	-



THIS DRAWING IS A CONTROLLED DOCUMENT.		DMN J. WANG 26FEB2019	TE Connectivity
DIMENSIONS: mm		CHK S. HAN 26FEB2019	
TOLERANCES UNLESS OTHERWISE SPECIFIED:		APVD S. HAN 26FEB2019	NAME RECEPTACLE ASSEMBLY, 2X1, STACKED, SFP56
0 PLC	±0.25	PRODUCT SPEC	SIZE 108-2481
1 PLC	±0.25	APPLICATION SPEC	RESTRICTED TO
2 PLC	±0.25	114-13319	SCALE 4:1
3 PLC	±0.25	WEIGHT	SHEET 3 OF 4
4 PLC	±0.25	FINISH	REV A
ANGLES	±4°	MATERIAL SEE NOTES	
		FINISH SEE NOTES	
MATERIAL SEE NOTES		CUSTOMER DRAWING	

LOC	DIST	REVISIONS					
GP	00	P	LTH	DESCRIPTION	DATE	DWN	APVD
		-		SEE SHEET 1		-	-

T19 ○ T16 ○ T13 ○  
 T20 ○ T17 ○ T14 ○ T11 ○  
 T18 ○ T15 ○ T12 ○

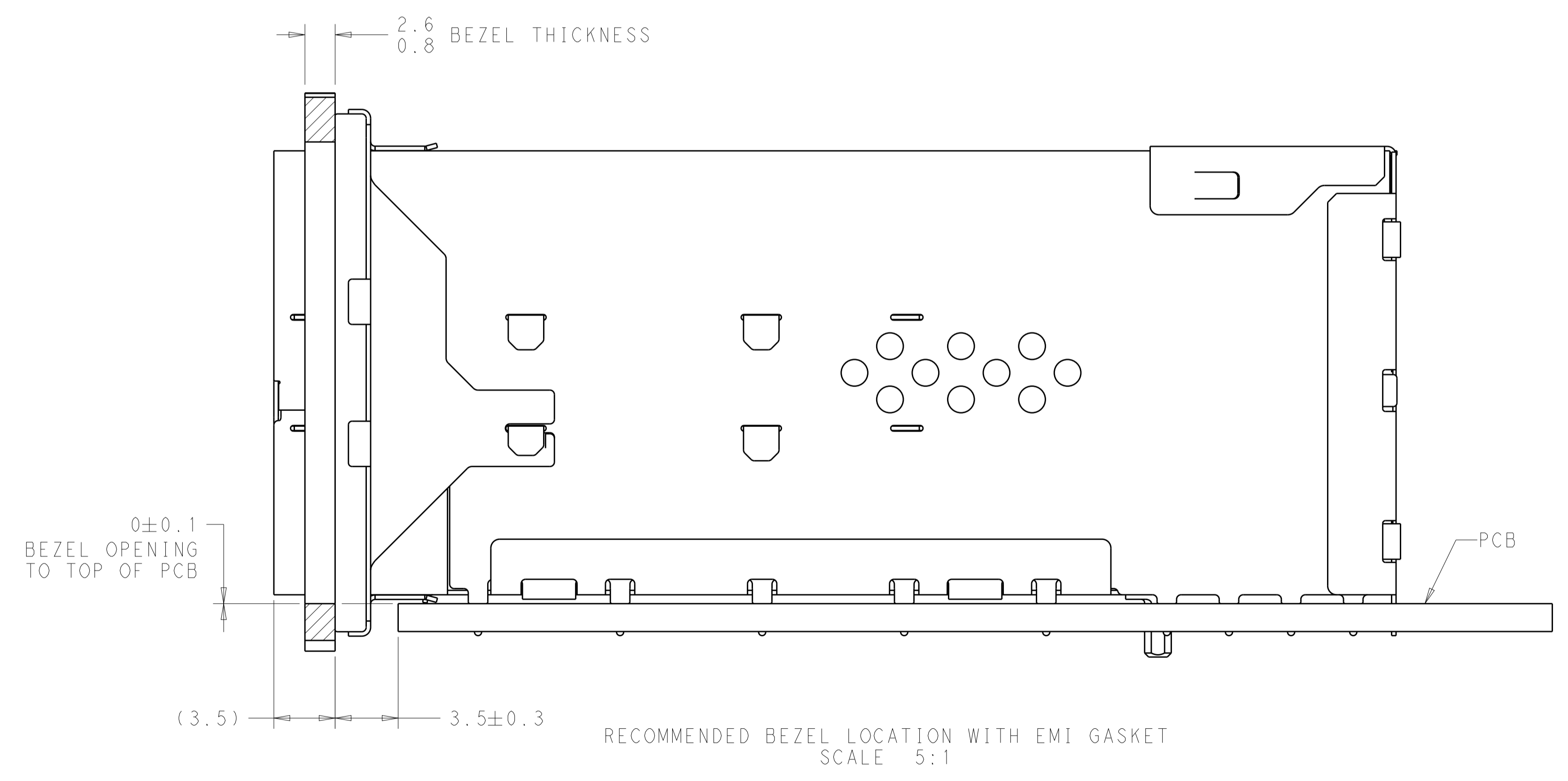
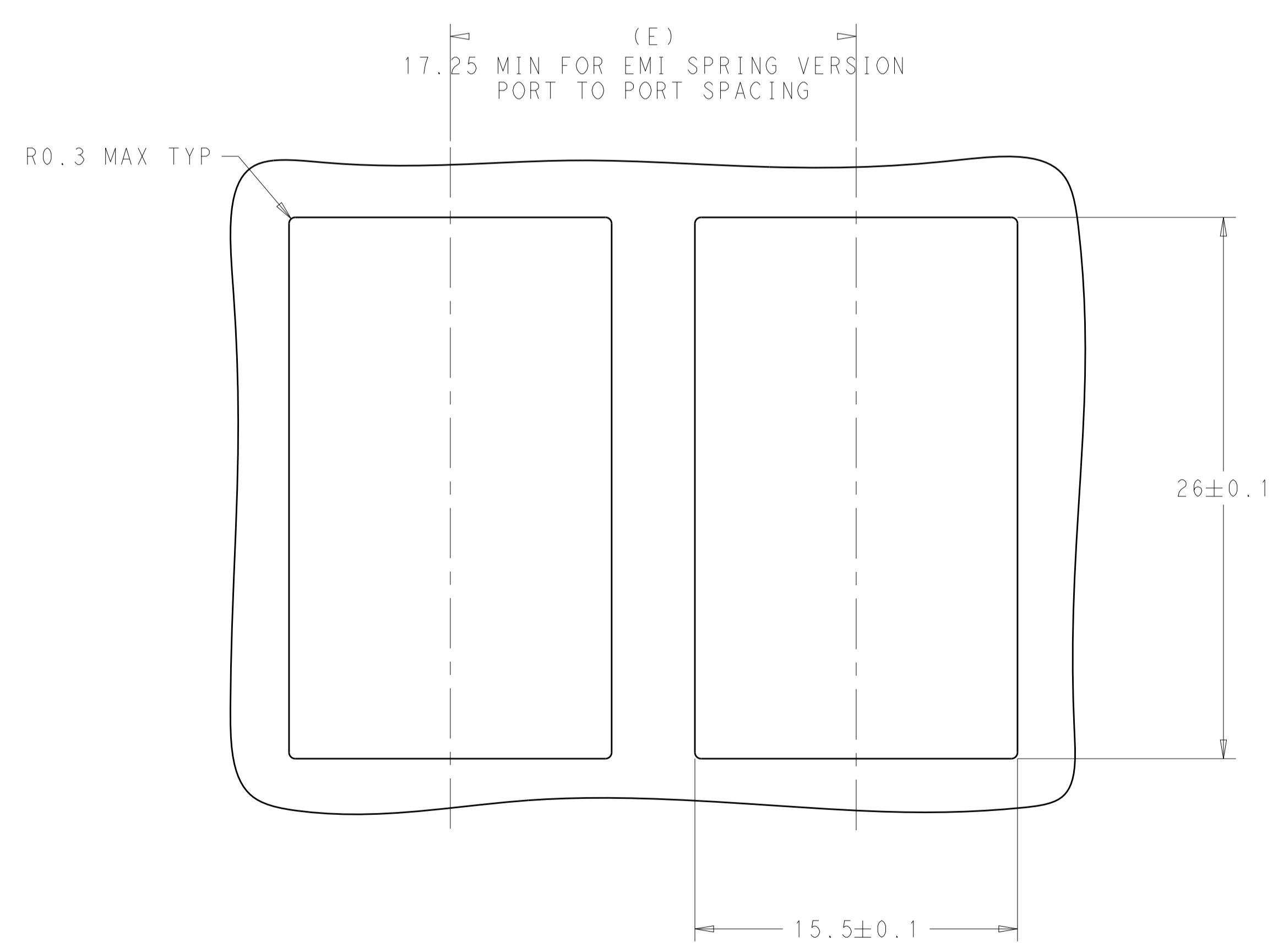
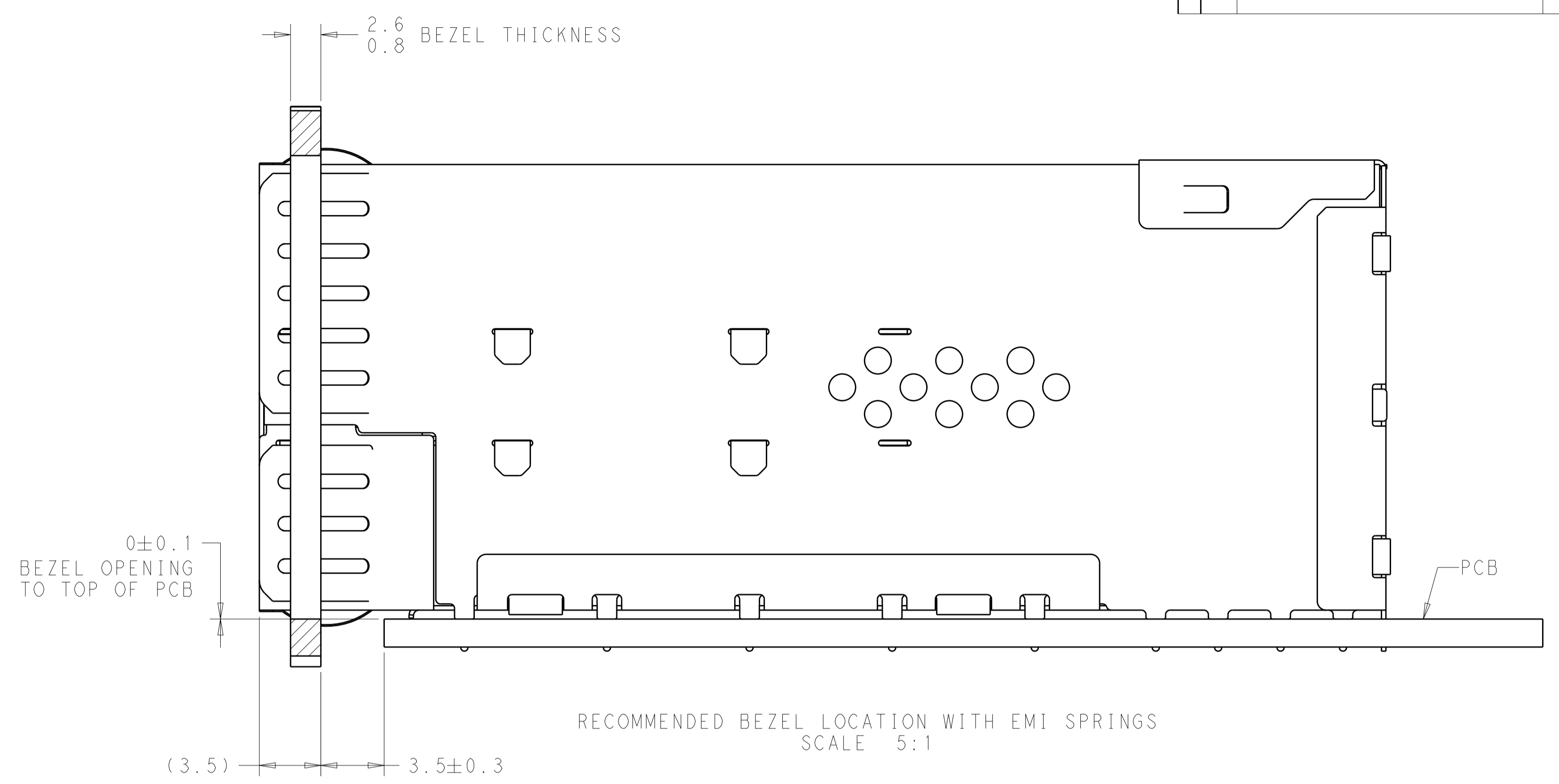
T2 ○ T5 ○ T8 ○  
 T1 ○ T4 ○ T7 ○ T10 ○  
 T3 ○ T6 ○ T9 ○

L9 ○ L6 ○ L3 ○  
 L10 ○ L7 ○ L4 ○ L1 ○  
 L8 ○ L5 ○ L2 ○

L12 ○ L15 ○ L18 ○  
 L11 ○ L14 ○ L17 ○ L20 ○  
 L13 ○ L16 ○ L19 ○

DETAIL D  
 PIN MAP  
 SCALE 15:1

PIN MAP LEGEND	
PIN NUMBER	FUNCTION
L1/T1	VEET
L2/T2	TX-FAULT
L3/T3	TX-DISABLE
L4/T4	SDA
L5/T5	SCL
L6/T6	MOD_ABS
L7/T7	RSO
L8/T8	RX_LOS
L9/T9	RS1
L10/T10	VEER
L11/T11	VEER
L12/T12	RD-
L13/T13	RD+
L14/T14	VEER
L15/T15	VCCR
L16/T16	VCCT
L17/T17	VEET
L18/T18	TD+
L19/T19	TD-
L20/T20	VEET



THIS DRAWING IS A CONTROLLED DOCUMENT.		DWN J. WANG 26FEB2019	TE Connectivity
DIMENSIONS: mm		CHK S. HAN 26FEB2019	
TOLERANCES UNLESS OTHERWISE SPECIFIED:		APVD S. HAN 26FEB2019	NAME RECEPTACLE ASSEMBLY, 2X1, STACKED, SFP56
0 PLC ±0.25	1 PLC ±0.25	PRODUCT SPEC 108-2481	SIZE 114-13319
2 PLC ±0.25	3 PLC ±0.25	APPLICATION SPEC	RESTRICTED TO
4 PLC ±0.25	ANGLES ±°	FINISH ±μm	WEIGHT
MATERIAL SEE NOTES	FINISH SEE NOTES	CUSTOMER DRAWING	SCALE 4:1 SHEET 4 OF 4 REV A

## X-ON Electronics

Largest Supplier of Electrical and Electronic Components

*Click to view similar products for [I/O Connectors](#) category:*

*Click to view products by [TE Connectivity](#) manufacturer:*

Other Similar products are found below :

[571763P](#) [58098-0628](#) [72.250.1628.2](#) [72.250.2428.2](#) [74720-0505](#) [76.350.0729.0](#) [76871-1403](#) [FCN-244F080-G/1](#) [FCN-260A9920](#) [PCR-E36PM](#) [PCS-XE26MA+](#) [G38A71314B](#) [DX40-50P\(55\)](#) [1571250010](#) [157-22500-3](#) [MS3471L14-19P L/C](#) [91-569786-35H](#) [172501-4002](#) [172501-6002](#) [FCN-260C008-A/L0](#) [FCN-260C024-AL0](#) [FCN-261Z008](#) [2000314-1](#) [200331-1](#) [PCR-E36FC+](#) [PCS-E28FS+](#) [PCS-XE26SLFD+](#) [PCS-XE26SLFDT+](#) [G730VID08BDC24](#) [U90B2054081210](#) [UE86K842720321](#) [38113800006](#) [DP3AR020WQ1R200](#) [Z4.102.0680.0](#) [500-1040](#) [500-1052](#) [500-1054](#) [ZP-4008-66L](#) [0709821002](#) [10-565995-597N](#) [DX40-20P\(55\)](#) [5554841-1](#) [MS3474W18-8P-LC\\*](#) [U90B3054061110](#) [U65-E04-4020](#) [ZPF000000000097891](#) [557-262M2-06C](#) [747360449](#) [10099439-003C-TRLF](#) [10137239-0021LF](#)