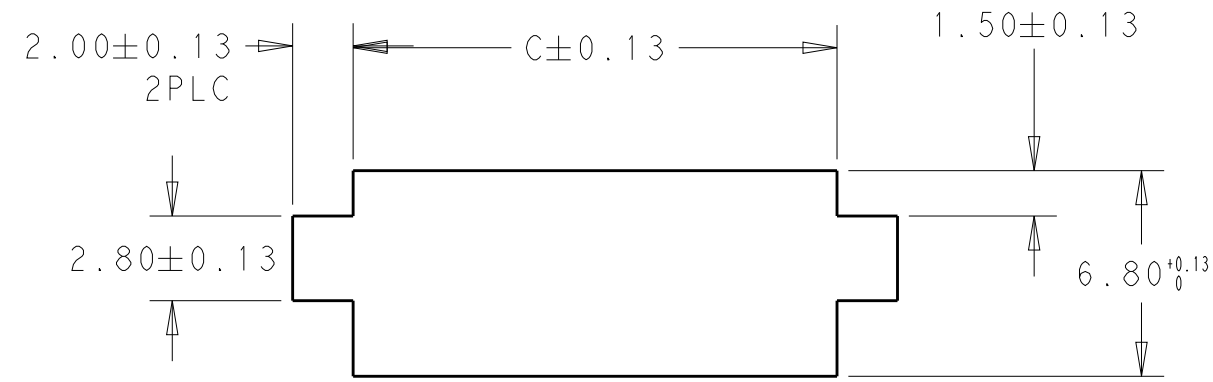
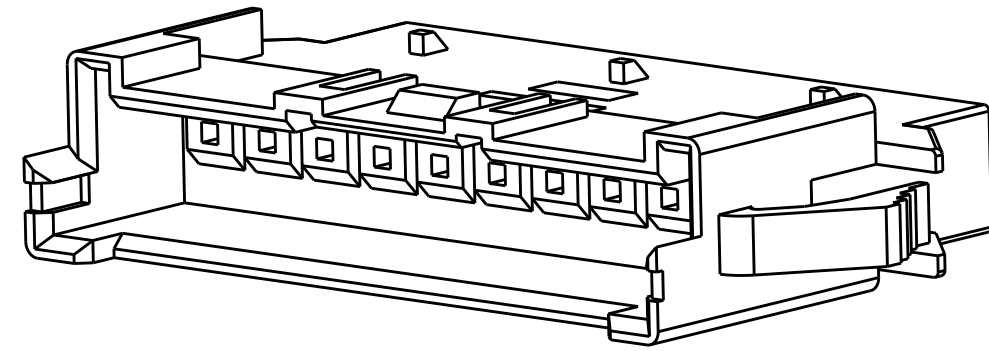
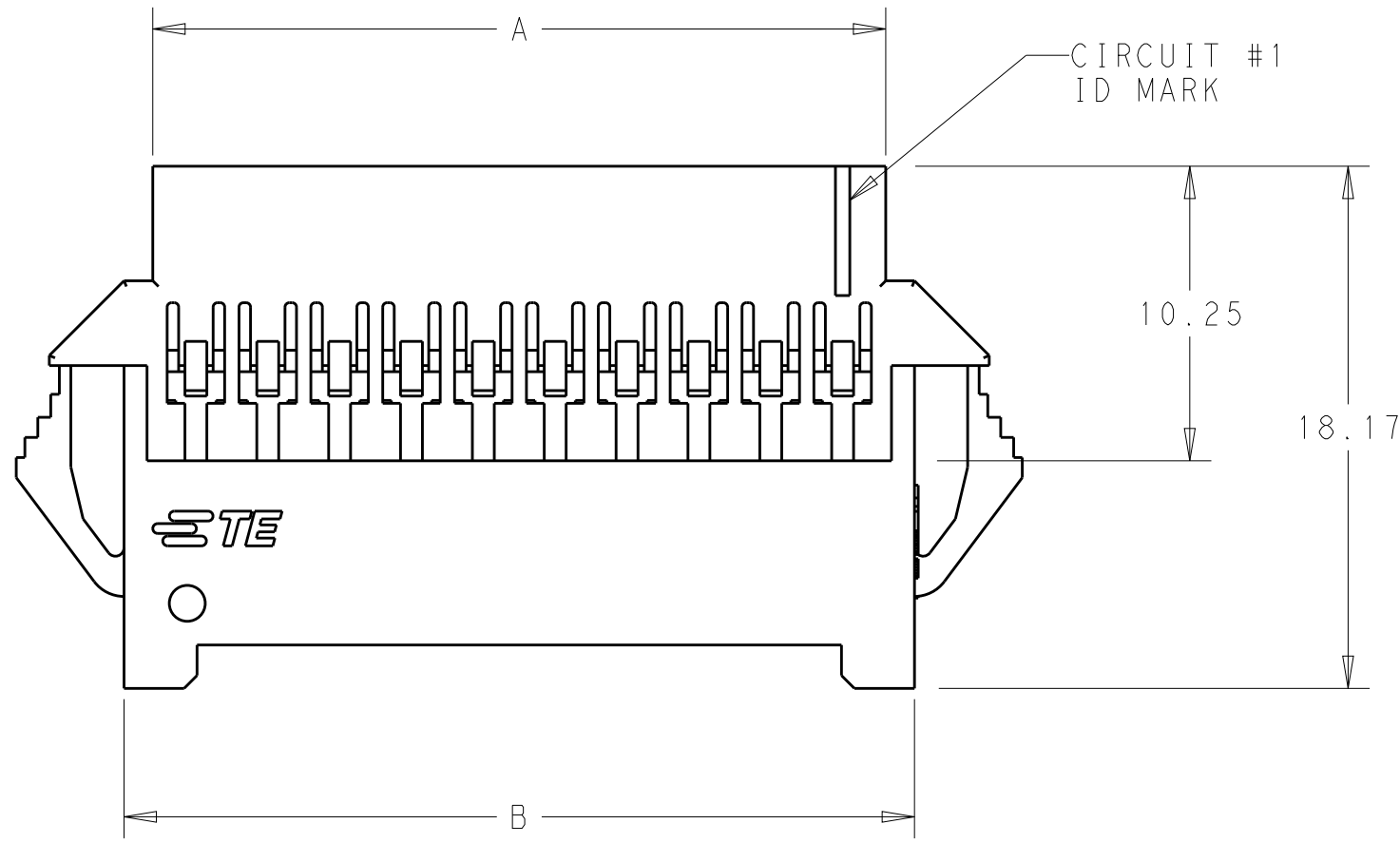


THIS DRAWING IS UNPUBLISHED. RELEASED FOR PUBLICATION 20
 © COPYRIGHT 20 BY - ALL RIGHTS RESERVED.

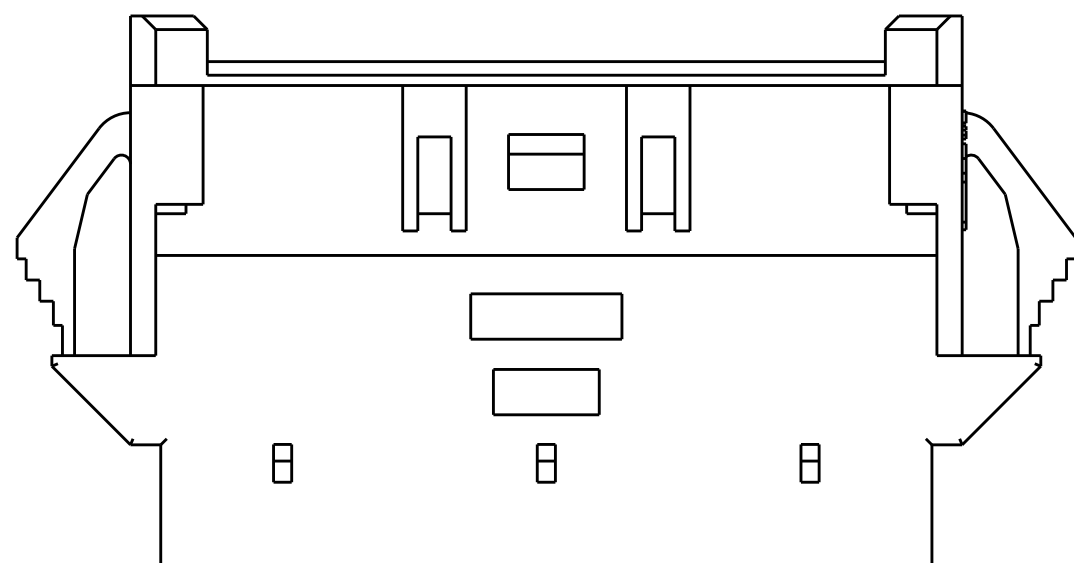
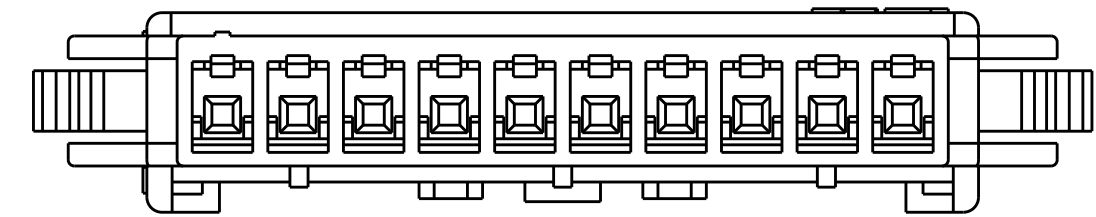
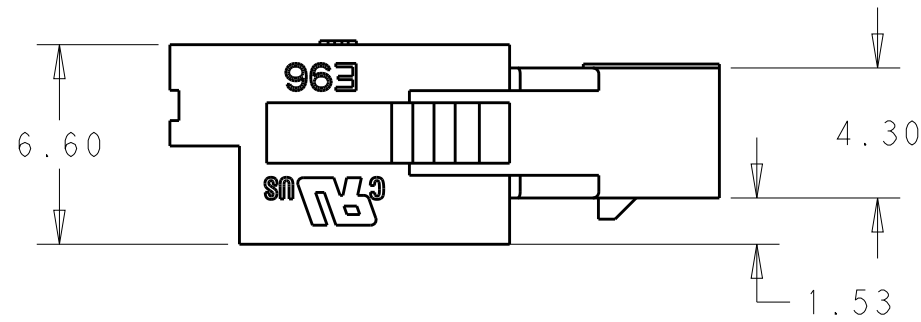
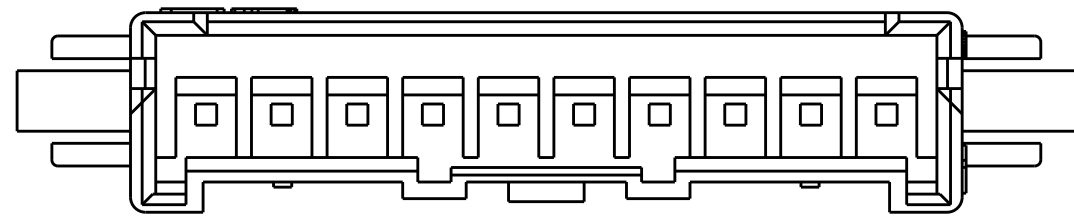
REVISIONS							
LOC	DIST	P	LTR	DESCRIPTION	DATE	DWN	APVD
-	-	1	INITIAL		18FEB2019	WH	DZ



1. MATERIAL: NYLON UL94V-0, FLAME RETARDANT,
2. ACCEPTS TE PIN CONTACTS P/N'S 2238007-()
3. HOUSING ACCEPTS OPTIONAL TPA P/N'S 1969443-()
4. MATES WITH TE PLUG HOUSINGS P/N'S 2338183-()

5. PRELIMINARY - NOT FOR PRODUCTION.

DESIGN APPROVED THIS PRINT IS
PRELIMINARY
 TO FIRST PIECE APPROVAL
 CONTACT PRODUCT ENGINEERING
 BEFORE USING THIS PRINT



15	41.00	40.00	38.00	5	1-2349952-5	5	3-2349952-5	5	5-2349952-5	5	7-2349952-5	5	9-2349952-5
14	38.50	37.50	35.50	1	1-2349952-4	1	3-2349952-4	1	5-2349952-4	1	7-2349952-4	1	9-2349952-4
13	36.00	35.00	33.00	1	1-2349952-3	1	3-2349952-3	1	5-2349952-3	1	7-2349952-3	1	9-2349952-3
12	33.50	32.50	30.50	1	1-2349952-2	1	3-2349952-2	1	5-2349952-2	1	7-2349952-2	1	9-2349952-2
11	31.00	30.00	28.00	1	1-2349952-1	1	3-2349952-1	1	5-2349952-1	1	7-2349952-1	1	9-2349952-1
10	28.50	27.50	25.50	1	1-2349952-0	1	3-2349952-0	1	5-2349952-0	1	7-2349952-0	1	9-2349952-0
9	26.00	25.00	23.00	1	2349952-9	1	2-2349952-9	1	4-2349952-9	1	6-2349952-9	1	8-2349952-9
8	23.50	22.50	20.50	1	2349952-8	1	2-2349952-8	1	4-2349952-8	1	6-2349952-8	1	8-2349952-8
7	21.00	20.00	18.00	1	2349952-7	1	2-2349952-7	1	4-2349952-7	1	6-2349952-7	1	8-2349952-7
6	18.50	17.50	15.50	1	2349952-6	1	2-2349952-6	1	4-2349952-6	1	6-2349952-6	1	8-2349952-6
5	16.00	15.00	13.00	1	2349952-5	1	2-2349952-5	1	4-2349952-5	1	6-2349952-5	1	8-2349952-5
4	13.50	12.50	10.50	1	2349952-4	1	2-2349952-4	1	4-2349952-4	1	6-2349952-4	1	8-2349952-4
3	11.00	10.00	8.00	1	2349952-3	1	2-2349952-3	1	4-2349952-3	1	6-2349952-3	1	8-2349952-3
2	8.50	7.50	5.50	5	2349952-2	5	2-2349952-2	5	4-2349952-2	5	6-2349952-2	5	8-2349952-2
POS	DIM.C	DIM.B	DIM.A		PART NUMBER (RED COLOR)		PART NUMBER (BLUE COLOR)		PART NUMBER (BLACK COLOR)		PART NUMBER (YELLOW COLOR)		PART NUMBER (GREEN COLOR)

THIS DRAWING IS A CONTROLLED DOCUMENT.

DIMENSIONS:	TOLERANCES UNLESS OTHERWISE SPECIFIED:	DWN	18FEB2019
mm	0 PLC ± 1 PLC ± 2 PLC ±0.20 3 PLC ± 4 PLC ± ANGLES ± FINISH	CHK	18FEB2019
MATERIAL		APVD	18FEB2019
		NAME	DANIEL ZHANG
		PRODUCT SPEC	108-2418
		APPLICATION SPEC	114-13315
		WEIGHT	-
		Customer Drawing	

STE TE Connectivity

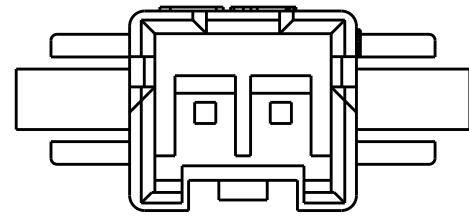
ECONOMY POWER 2.5, HOUSING
 WIRE TO WORE, PANEL MOUNT
 ALL COLOR, UL VERSION

SIZE: A2 CAGE CODE: 00779 DRAWING NO: C-2349952 RESTRICTED TO: -
 SCALE: N/A SHEET 1 OF 2 REV 1

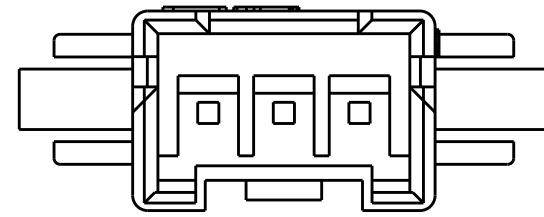
THIS DRAWING IS UNPUBLISHED. RELEASED FOR PUBLICATION 20
 © COPYRIGHT 20 BY - ALL RIGHTS RESERVED.

LOC		DIST		REVISIONS			
P	LTR	DESCRIPTION	DATE	DWN	APVD		
-	-	SEE SHEET 1	-	-	-		

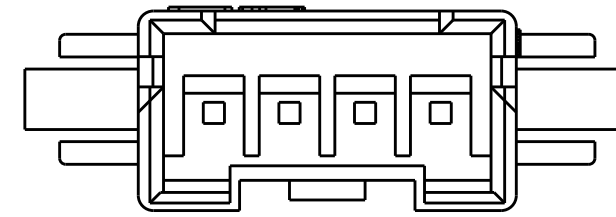
2 POSITION
2349952-2



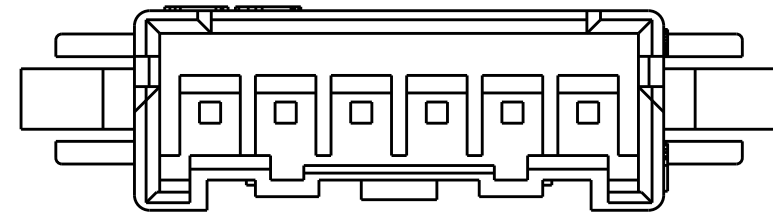
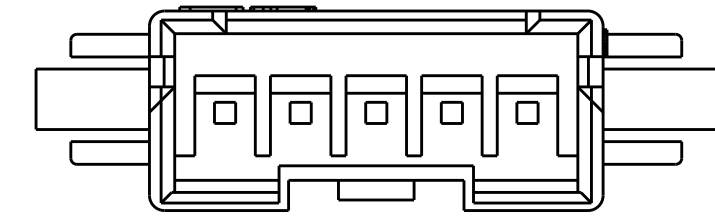
3 POSITION
2349952-3



4 POSITION
2349952-4



5 POSITION
2349952-5



6 - 15 POSITION
2349952-6 TO 1-2349952-5

DESIGN APPROVED THIS PRINT IS
PRELIMINARY
 TO FIRST PIECE APPROVAL
 CONTACT PRODUCT ENGINEERING
 BEFORE USING THIS PRINT

THIS DRAWING IS A CONTROLLED DOCUMENT.		DWN WARREN HUO 18FEB2019	STE TE Connectivity		
DIMENSIONS: mm		CHK DANIEL ZHANG 18FEB2019			
TOLERANCES UNLESS OTHERWISE SPECIFIED:		APVD DANIEL ZHANG 18FEB2019	NAME ECONOMY POWER 2.5, HOUSING WIRE TO WIRE, PANEL MOUNT ALL COLOR, UL VERSION		
0 PLC ± 1 PLC ± 2 PLC ±0.20 3 PLC ± 4 PLC ± ANGLES ± FINISH		PRODUCT SPEC 108-2418 APPLICATION SPEC 114-13315	SIZE A2	CAGE CODE 00779	DRAWING NO C-2349952
MATERIAL SEE TABLE		WEIGHT -	RESTRICTED TO -	SCALE N/A	SHEET 2 OF 2 REV 1
		Customer Drawing			

X-ON Electronics

Largest Supplier of Electrical and Electronic Components

Click to view similar products for [Headers & Wire Housings](#) category:

Click to view products by [TE Connectivity](#) manufacturer:

Other Similar products are found below :

[892-18-020-10-001101](#) [58102-G61-06LF](#) [582553-1](#) [0009485154](#) [009176003701906](#) [0050291907](#) [LY20-4P-DT1-P1E-BR](#) [02.125.8002.8](#)
[609-3404](#) [61062-3](#) [61082-181009](#) [622-3653LF](#) [63453-116](#) [636-1030](#) [636-1427](#) [636-3427](#) [636-4007](#) [641938-9](#) [641991-4](#) [644827-2](#) [65817-](#)
[010LF](#) [65817-015LF](#) [65863-015LF](#) [66207-023LF](#) [67095-007LF](#) [67601157](#) [68645-018](#) [68648-049](#) [70.362.1628.0](#) [70-4210](#) [70-4226B](#) [70-](#)
[4853B](#) [707-5020](#) [707-5028](#) [71.350.2428.0](#) [71918-208LF](#) [71961-016LF](#) [733-134](#) [733-162](#) [754199-000](#) [760-3052](#) [787-8014-00](#) [79531-3000](#)
[FCN-360C032-B](#) [FCN-367T-T012/H](#) [FCN-723D010/2](#) [80.063.4001.1](#) [800-90-001-10-001000](#) [800-90-010-10-002000](#) [801-43-002-10-013000](#)