



Raychem

TE Internal #: 163497-000

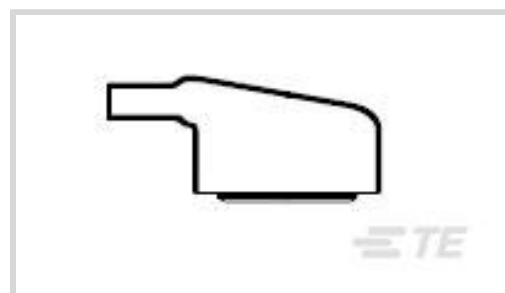
D-Sub Connector Boots, 90° Boot Angle, Adhesive Pre-Coating,

High Performance Pre-Coat Adhesive, 0 Position, 0mm [0in]

Centerline

[View on TE.com >](#)

Connectors > D-Shaped Connectors > D-Sub Accessories > D-Sub Connector Boots



Boot Angle: **90°**

Adhesive Pre-Coating: **With**

Adhesive Description: **High Performance Pre-Coat Adhesive**

Number of Positions: **0**

Centerline (Pitch): **0 mm [0 in]**

Features

Product Type Features

Product Type	Molded Boot
Molded Part Type	D Subminiature Boot
Adhesive Description	High Performance Pre-Coat Adhesive

Configuration Features

Number of Positions	0
---------------------	---

Body Features

Material Systems Code	10
Material	Semi rigid Modified Polyolefin
Material Code	3
Boot Angle	90°
Adhesive Pre-Coating	With

Contact Features

Contact Current Rating (Max)	0 A
------------------------------	-----

Housing Features

Centerline (Pitch)	0 mm[0 in]
--------------------	------------

Dimensions

Connector Width	10.7 mm[.421 in]
-----------------	------------------



Usage Conditions

Operating Temperature Range	-55 – 135 °C[-67 – 275 °F]
-----------------------------	----------------------------

Other

Adhesive Code	86
Adhesive Options	/86 Precoat

Product Compliance

[For compliance documentation, visit the product page on TE.com>](#)

EU RoHS Directive 2011/65/EU	Compliant
EU ELV Directive 2000/53/EC	Compliant
China RoHS 2 Directive MIIT Order No 32, 2016	No Restricted Materials Above Threshold
EU REACH Regulation (EC) No. 1907/2006	Current ECHA Candidate List: JUL 2021 (219) Candidate List Declared Against: JUL 2021 (219) Does not contain REACH SVHC
Halogen Content	Not Low Halogen - contains Br or Cl > 900 ppm.
Solder Process Capability	Not applicable for solder process capability

Product Compliance Disclaimer

This information is provided based on reasonable inquiry of our suppliers and represents our current actual knowledge based on the information they provided. This information is subject to change. The part numbers that TE has identified as EU RoHS compliant have a maximum concentration of 0.1% by weight in homogenous materials for lead, hexavalent chromium, mercury, PBB, PBDE, DBP, BBP, DEHP, DIBP, and 0.01% for cadmium, or qualify for an exemption to these limits as defined in the Annexes of Directive 2011/65/EU (RoHS2). Finished electrical and electronic equipment products will be CE marked as required by Directive 2011/65/EU. Components may not be CE marked. Additionally, the part numbers that TE has identified as EU ELV compliant have a maximum concentration of 0.1% by weight in homogenous materials for lead, hexavalent chromium, and mercury, and 0.01% for cadmium, or qualify for an exemption to these limits as defined in the Annexes of Directive 2000/53/EC (ELV). Regarding the REACH Regulation, the information TE provides on SVHC in articles for this part number is based on the latest European Chemicals Agency (ECHA) 'Guidance on requirements for substances in articles' posted at this URL: <https://echa.europa.eu/guidance-documents/guidance-on-reach>

Compatible Parts



TE Part # CJ2087-000
[HL2010E-KIT-120V](#)

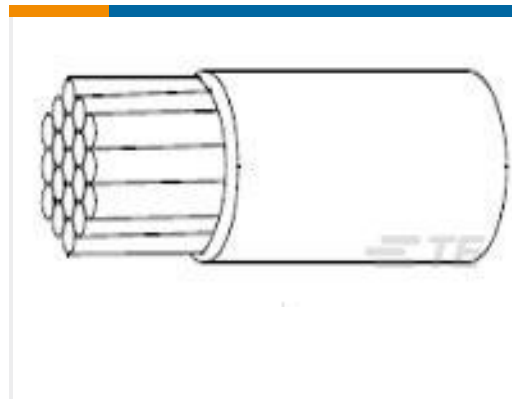
Customers Also Bought



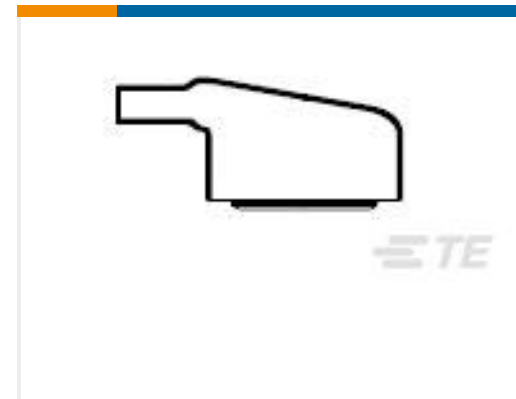
TE Part #1-2317404-3
[AV19 DPM 3A FIXED RING R&G 12V](#)



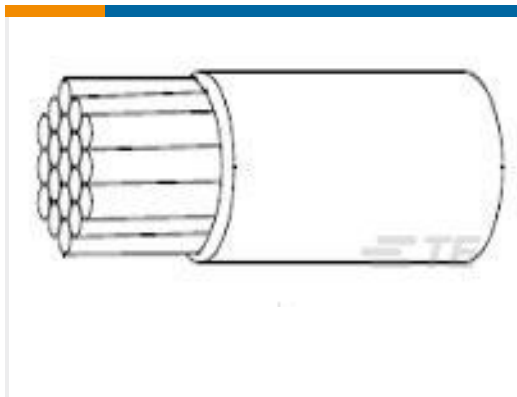
TE Part #YDTS26W17-26SAV001
[PLUG ASSY](#)



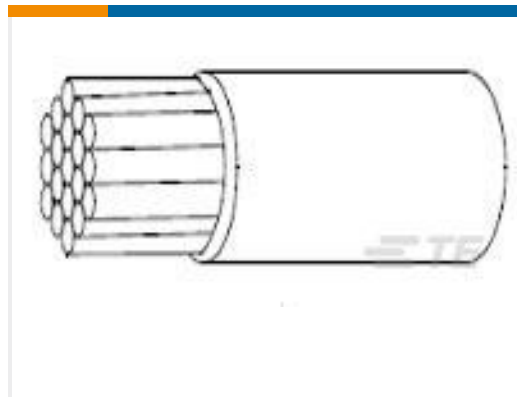
TE Part #296773-000
[22759/44-24-0](#)



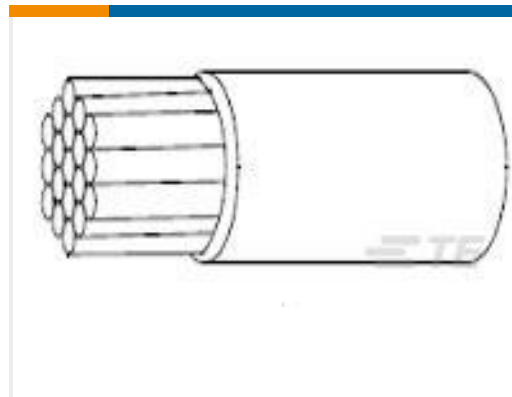
TE Part #207367-000
[234A042-3/86-0](#)



TE Part #799635-000
[22759/44-20-2](#)



TE Part #688523-000
[22759/44-22-4](#)



TE Part #443387-000
[22759/44-24-6](#)



TE Part #729227-000
[202F253-51-08/164-0](#)



TE Part #YDL64R-20-41PNC011
[RECP ASSY](#)

Documents

Product Drawings

[234A032-3/86-0](#)

English

Datasheets & Catalog Pages

[1654025_Sec4_-3](#)

English

Raychem Molded Parts Visual Guide

English



Product Specifications

Product Specification

English

X-ON Electronics

Largest Supplier of Electrical and Electronic Components

Click to view similar products for [Heat Shrink Cable Boots & End Caps](#) category:

Click to view products by [TE Connectivity](#) manufacturer:

Other Similar products are found below :

[577159N001](#) [645494-000](#) [CX4132-000](#) [687025-000](#) [705331-000](#) [718446-000](#) [725666N001](#) [729257-000](#) [F27131-000](#) [F85868-000](#) [770-003S106W2](#) [770-013210W1](#) [770-013311](#) [770-013312](#) [806542N001](#) [807507-000](#) [808362-000](#) [808618-000](#) [809125-000](#) [809130-000](#) [809218-000](#) [812014-000](#) [812047-000](#) [813166-000](#) [813767N002](#) [814741-000](#) [819117N001](#) [823026-000](#) [823070-000](#) [841189N001](#) [861471-000](#) [866647-000](#) [879515-000](#) [937577-000](#) [957073-000](#) [982033-2](#) [A77813-000](#) [R280576000](#) [D96192-000](#) [163549-000](#) [EN3BOOTLKIT](#) [MTPSRBCL-C](#) [1954015-1](#) [200W531-3-0](#) [202A163-4-0-CS5067](#) [202A343-3-00-0](#) [202B221-13-0](#) [202B231-13-0](#) [202B563-25-07-0](#) [202C241-13-0](#)