

REVISIONS

| P | LTR | DESCRIPTION | DATE | DWN | APVD |
|---|-----|------------------|-----------|-----|------|
| | S | PRODUCTION ISSUE | 01FEB2019 | PNT | MT |

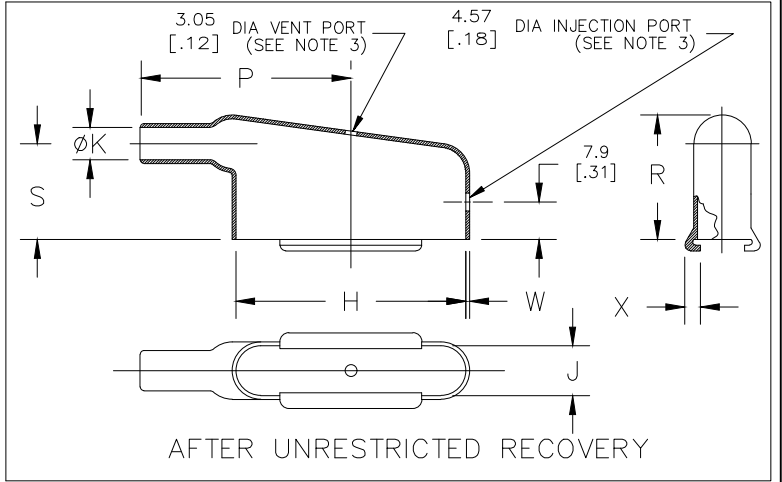
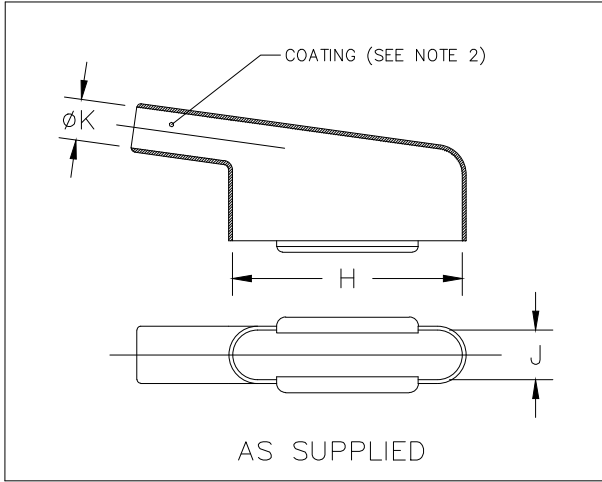


TABLE OF DIMENSIONS

| PART NUMBER | H | | J | | K | | P | R | S | W | X | Weight Nom lb/[gms] b | This Boot Fits Cannon-Cinch |
|-------------|----------------|----------------|---------------|---------------|---------------|---------------|----------------|----------------|----------------|---------------|---------------|--------------------------------|--------------------------------|
| | ±5% a | ±5% b | ±5% a | ±5% b | Min a | Max b | | | | | | | |
| **234A011 | 20.3 [.80] | 20.3 [.80] | 10.7 [.42] | 10.7 [.42] | 7.9 [.31] | 4.1 [.16] | 25.9 [1.02] | 21.6 [.85] | 15.2 [.60] | 1.02 [.04] | 3.05 [.12] | 2.18 [.0048] | DE-9 |
| **234A021 | 28.2 [1.11] | 28.2 [1.11] | 10.7 [.42] | 10.7 [.42] | 10.2 [.40] | 5.3 [.21] | 30.7 [1.21] | 24.6 [.97] | 18.5 [.73] | 1.02 [.04] | 3.05 [.12] | 2.68 [.0059] | DA-15 |
| **234A032 | 42.2 [1.66] | 42.2 [1.66] | 10.7 [.42] | 10.7 [.42] | 14.0 [.55] | 7.4 [.29] | 42.9 [1.69] | 27.9 [1.10] | 22.1 [.87] | 1.02 [.04] | 3.05 [.12] | 4.63 [.0102] | DB-25 |
| 234A042 | 58.7 [2.31] | 58.7 [2.31] | 10.7 [.42] | 10.7 [.42] | 17.3 [.68] | 8.6 [.34] | 53.3 [2.10] | 30.5 [1.20] | 25.4 [1.00] | 1.02 [.04] | 3.05 [.12] | 5.99 [.0132] | DC-37 |
| 234A052 | 57.9 [2.28] | 57.9 [2.28] | 13.7 [.54] | 13.7 [.54] | 19.1 [.75] | 10.7 [.42] | 55.9 [2.20] | 32.3 [1.27] | 25.4 [1.00] | 1.02 [.04] | 3.05 [.12] | 6.90 [.0152] | DD-50 |
| 234A061 | 20.3 [.80] | 20.3 [.80] | 10.7 [.42] | 10.7 [.42] | 7.9 [.31] | 3.8 [.15] | 25.9 [1.02] | 18.5 [.73] | 12.2 [.48] | 1.02 [.04] | 3.05 [.12] | 2.04 [.0045] | DE-9 |
| 234A071 | 28.2 [1.11] | 28.2 [1.11] | 10.7 [.42] | 10.7 [.42] | 10.2 [.40] | 5.1 [.20] | 30.7 [1.21] | 19.8 [.78] | 13.5 [.53] | 1.02 [.04] | 3.05 [.12] | 2.54 [.0056] | DA-15 |

THIS DRAWING IS UNPUBLISHED.

ALL RIGHTS RESERVED.

© COPYRIGHT - TE Connectivity Ltd.

DIMENSIONS:
mm [INCHES]

DWN 01FEB2019
PRAVEEN N T

MATERIAL SEE SHEET 2

FINISH -

TOLERANCES UNLESS OTHERWISE SPECIFIED:

CHK 01FEB2019
N NAGAR

STE TE Connectivity Ltd.

APVD 01FEB2019
M TAYLOR

NAME
BOOT, RECTANGULAR SUBMINIATURE,
90 DEGREES END ENTRY

- 0 PLC ± -
- 1 PLC ± -
- 2 PLC ± -
- 3 PLC ± -
- 4 PLC ± -
- ANGLES ± -

PRODUCT SPEC -

| SIZE | CAGE CODE | DRAWING NO | RESTRICTED TO |
|------|-----------|----------------------------|---------------|
| A4 | 00779 | C-234A011-XX-0THRU071-XX-0 | - |

APPLICATION SPEC -

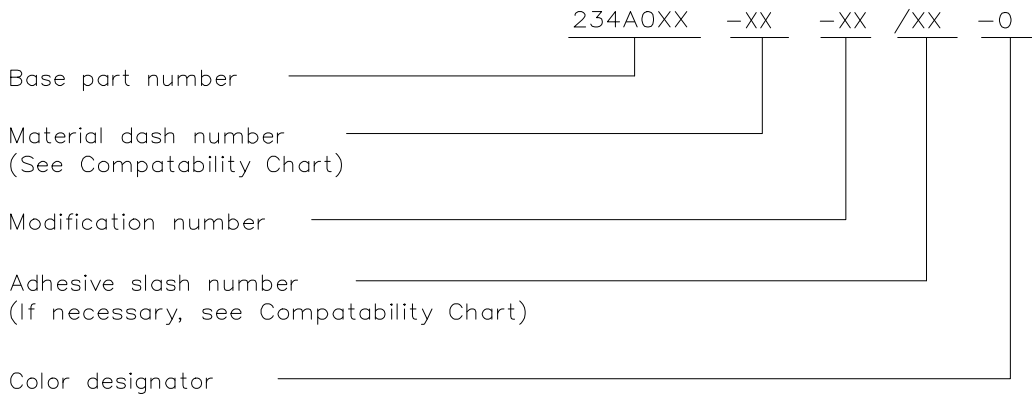
WEIGHT
CUSTOMER DRAWING

SCALE DNS SHEET 1 OF 2 REV S

| REVISIONS | | | | | |
|-----------|-----|-------------|------|-----|------|
| P | LTR | DESCRIPTION | DATE | DWN | APVD |
| | - | SEE SHEET 1 | - | - | - |

| COMPATIBILITY CHART | | | | |
|---------------------|--------------------------------------|---------|-------------------|-------------------|
| MATERIAL DASH NO. | MATERIAL DESCRIPTION | RT SPEC | COATING SLASH NO. | COATING SPEC |
| -3 | POLYOLEFIN, SEMI-RIGID | RT-301 | /42;/86;/180 | S1017;S1048;S1030 |
| -4 | POLYOLEFIN, FLEXIBLE | RT-1304 | /42;/86;/180 | S1017;S1048;S1030 |
| -12 | FLUOROELASTOMER | RT-1312 | N/A | N/A |
| -25 | ELASTOMER, FLUID RESISTANT | RW-2070 | /42;/86;/225 | S1017;S1048;S1206 |
| -100 | POLYOLEFIN, SEMI-FLEXIBLE ZEROHAL | RW-2082 | /86;/180 | S1048;S1030 |

ORDERING INFORMATION



NOTES


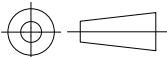
- Dimensions appearing in table are as follows:
 - a - As Supplied
 - b - After Unrestricted Recovery
- Coating is optional. As supplied dimensions appearing in table are for uncoated parts. When coating is added, entry diameters will be reduced by 1.5[.06] max.
- Molding ports are optional. When -00 modification number is specified molding ports will be located as shown.
- Weight shown in table of dimensions is based on polyolefin part.
- **5. /180 coating is only available on 234A011, 234A021 and 234A032. Contact factory for additional sizes.

RELEASED FOR PUBLICATION

ALL RIGHTS RESERVED.

© COPYRIGHT - TE Connectivity Ltd.

THIS DRAWING IS UNPUBLISHED.

| | | | | | |
|--|---|---|---|-----------------------------|--------------------|
| DIMENSIONS: mm [INCHES] | DWN PRAVEEN N T | 01FEB2019 | MATERIAL SEE SHEET 2 | FINISH - | |
| | CHK N NAGAR | 01FEB2019 |  TE Connectivity Ltd. | | |
| TOLERANCES UNLESS OTHERWISE SPECIFIED: | APVD M TAYLOR | 01FEB2019 | | | |
| 0 PLC ± - | PRODUCT SPEC | NAME BOOT, RECTANGULAR SUBMINIATURE, 90 DEGREES END ENTRY | | | |
| 1 PLC ± - | - | | | | |
| 2 PLC ± - | APPLICATION SPEC | SIZE | CAGE CODE | DRAWING NO | RESTRICTED TO - |
| 3 PLC ± - | - | A4 | 00779 | C- 234A011-XX-0THRU071-XX-0 | |
| 4 PLC ± - | WEIGHT | CUSTOMER DRAWING | | | |
| ANGLES ± - |  | | SCALE DNS | SHEET 2 OF 2 | REV S |

X-ON Electronics

Largest Supplier of Electrical and Electronic Components

Click to view similar products for [Heat Shrink Cable Boots & End Caps](#) category:

Click to view products by [TE Connectivity](#) manufacturer:

Other Similar products are found below :

[577159N001](#) [645494-000](#) [CX4132-000](#) [687025-000](#) [705331-000](#) [718446-000](#) [725666N001](#) [729257-000](#) [F27131-000](#) [F85868-000](#) [770-003S106W2](#) [770-013210W1](#) [770-013311](#) [770-013312](#) [806542N001](#) [807507-000](#) [808059-000](#) [808362-000](#) [808618-000](#) [809125-000](#) [809130-000](#) [809218-000](#) [812014-000](#) [812047-000](#) [813166-000](#) [813767N002](#) [814741-000](#) [819117N001](#) [823026-000](#) [823070-000](#) [825002-000](#) [841189N001](#) [861471-000](#) [866647-000](#) [879515-000](#) [937577-000](#) [957073-000](#) [982033-2](#) [A77813-000](#) [R280576000](#) [D96192-000](#) [163549-000](#) [MTPSRBCL-C](#) [1954015-1](#) [200W531-3-0](#) [202A163-4-0-CS5067](#) [202A343-3-00-0](#) [202B221-13-0](#) [202B231-13-0](#) [202B563-25-07-0](#)