

REVISIONS

P	LTR	DESCRIPTION	DATE	DWN	APVD
	S	PRODUCTION ISSUE	01FEB2019	PNT	MT

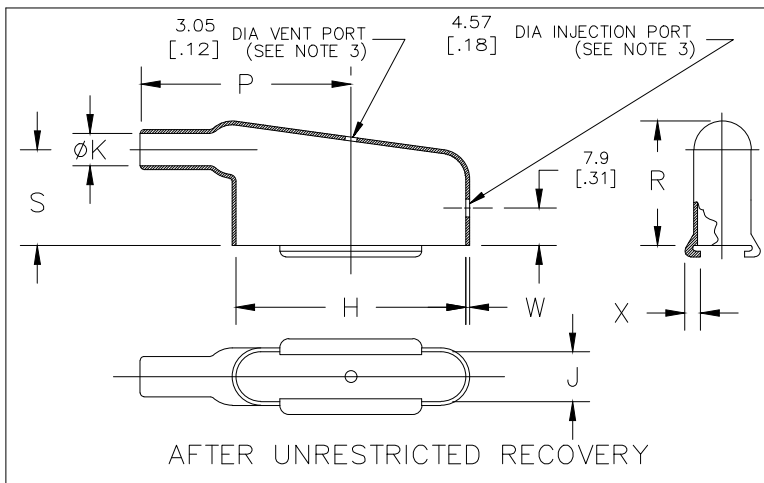
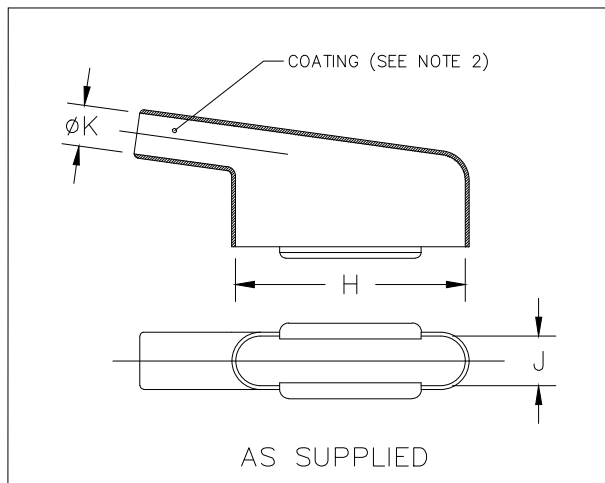


TABLE OF DIMENSIONS

PART NUMBER	H		J		K		P	R	S	W	X	Weight Nom lb/[gms] b	This Boot Fits Cannon-Cinch
	±5% a	±5% b	±5% a	±5% b	Min a	Max b							
**234A011	20.3 [1.80]	20.3 [1.80]	10.7 [0.42]	10.7 [0.42]	7.9 [0.31]	4.1 [0.16]	25.9 [1.02]	21.6 [0.85]	15.2 [0.60]	1.02 [0.04]	3.05 [0.12]	2.18 [0.048]	DE-9
**234A021	28.2 [1.11]	28.2 [1.11]	10.7 [0.42]	10.7 [0.42]	10.2 [0.40]	5.3 [0.21]	30.7 [1.21]	24.6 [0.97]	18.5 [0.73]	1.02 [0.04]	3.05 [0.12]	2.68 [0.059]	DA-15
**234A032	42.2 [1.66]	42.2 [1.66]	10.7 [0.42]	10.7 [0.42]	14.0 [0.55]	7.4 [0.29]	42.9 [1.69]	27.9 [1.10]	22.1 [0.87]	1.02 [0.04]	3.05 [0.12]	4.63 [0.102]	DB-25
234A042	58.7 [2.31]	58.7 [2.31]	10.7 [0.42]	10.7 [0.42]	17.3 [0.68]	8.6 [0.34]	53.3 [2.10]	30.5 [1.20]	25.4 [1.00]	1.02 [0.04]	3.05 [0.12]	5.99 [0.132]	DC-37
234A052	57.9 [2.28]	57.9 [2.28]	13.7 [0.54]	13.7 [0.54]	19.1 [0.75]	10.7 [0.42]	55.9 [2.20]	32.3 [1.27]	25.4 [1.00]	1.02 [0.04]	3.05 [0.12]	6.90 [0.152]	DD-50
234A061	20.3 [0.80]	20.3 [0.80]	10.7 [0.42]	10.7 [0.42]	7.9 [0.31]	3.8 [0.15]	25.9 [1.02]	18.5 [0.73]	12.2 [0.48]	1.02 [0.04]	3.05 [0.12]	2.04 [0.045]	DE-9
234A071	28.2 [1.11]	28.2 [1.11]	10.7 [0.42]	10.7 [0.42]	10.2 [0.40]	5.1 [0.20]	30.7 [1.21]	19.8 [0.78]	13.5 [0.53]	1.02 [0.04]	3.05 [0.12]	2.54 [0.056]	DA-15

THIS DRAWING IS UNPUBLISHED. ALL RIGHTS RESERVED. TE Connectivity Ltd. COPYRIGHT

DIMENSIONS:  
mm [INCHES]

DWN 01FEB2019  
PRAVEEN N T

MATERIAL SEE SHEET 2

FINISH -

TOLERANCES UNLESS OTHERWISE SPECIFIED:

CHK 01FEB2019  
N NAGAR

APVD 01FEB2019  
M TAYLOR

PRODUCT SPEC

-

APPLICATION SPEC

-

WEIGHT

CUSTOMER DRAWING



TE Connectivity Ltd.

NAME  
BOOT, RECTANGULAR SUBMINIATURE,  
90 DEGREES END ENTRY

SIZE CAGE CODE DRAWING NO RESTRICTED TO

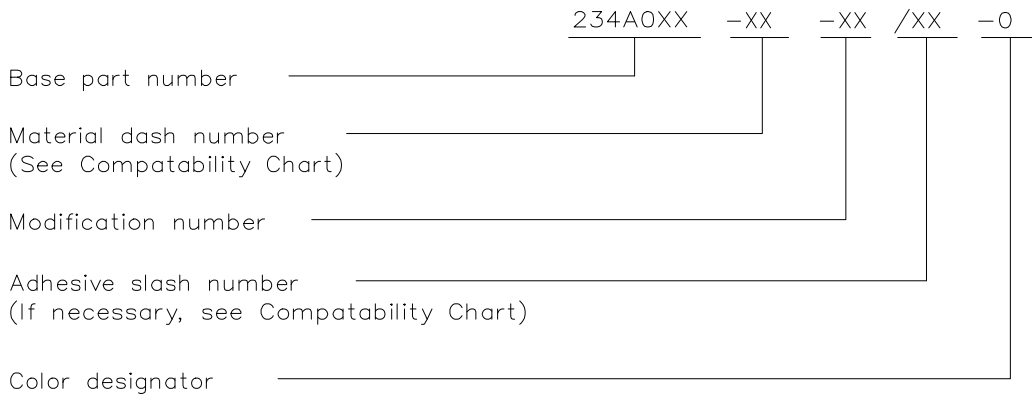
A4 00779 C-234A011-XX-0THRU071-XX-0 -

SCALE DNS SHEET 1 OF 2 REV S

REVISIONS					
P	LTR	DESCRIPTION	DATE	DWN	APVD
	-	SEE SHEET 1	-	-	-

COMPATIBILITY CHART				
MATERIAL DASH NO.	MATERIAL DESCRIPTION	RT SPEC	COATING SLASH NO.	COATING SPEC
-3	POLYOLEFIN, SEMI-RIGID	RT-301	/42;/86;/180	S1017;S1048;S1030
-4	POLYOLEFIN, FLEXIBLE	RT-1304	/42;/86;/180	S1017;S1048;S1030
-12	FLUROELASTOMER	RT-1312	N/A	N/A
-25	ELASTOMER, FLUID RESISTANT	RW-2070	/42;/86;/225	S1017;S1048;S1206
-100	POLYOLEFIN, SEMI-FLEXIBLE ZEROHAL	RW-2082	/86;/180	S1048;S1030

ORDERING INFORMATION



NOTES


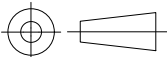
- Dimensions appearing in table are as follows:
  - a - As Supplied
  - b - After Unrestricted Recovery
- Coating is optional. As supplied dimensions appearing in table are for uncoated parts. When coating is added, entry diameters will be reduced by 1.5[.06] max.
- Molding ports are optional. When -00 modification number is specified molding ports will be located as shown.
- Weight shown in table of dimensions is based on polyolefin part.
- \*5. /180 coating is only available on 234A011, 234A021 and 234A032. Contact factory for additional sizes.

RELEASED FOR PUBLICATION

ALL RIGHTS RESERVED.

© COPYRIGHT - TE Connectivity Ltd.

THIS DRAWING IS UNPUBLISHED.

DIMENSIONS: mm [INCHES]	DWN PRAVEEN N T	01FEB2019	MATERIAL SEE SHEET 2	FINISH -	
	CHK N NAGAR	01FEB2019	 TE Connectivity Ltd.		
TOLERANCES UNLESS OTHERWISE SPECIFIED:	APVD M TAYLOR	01FEB2019			
0 PLC ± -	PRODUCT SPEC	NAME BOOT, RECTANGULAR SUBMINIATURE, 90 DEGREES END ENTRY			
1 PLC ± -	-				
2 PLC ± -	APPLICATION SPEC	SIZE	CAGE CODE	DRAWING NO	RESTRICTED TO -
3 PLC ± -	-	A4	00779	C- 234A011-XX-0THRU071-XX-0	
4 PLC ± -	WEIGHT	CUSTOMER DRAWING			
ANGLES ± -			SCALE DNS	SHEET 2 OF 2	REV S

## X-ON Electronics

Largest Supplier of Electrical and Electronic Components

*Click to view similar products for [Heat Shrink Cable Boots & End Caps](#) category:*

*Click to view products by [TE Connectivity](#) manufacturer:*

Other Similar products are found below :

[577159N001](#) [645494-000](#) [CX4132-000](#) [687025-000](#) [705331-000](#) [718446-000](#) [725666N001](#) [729257-000](#) [F27131-000](#) [F85868-000](#) [770-003S106W2](#) [770-013210W1](#) [770-013311](#) [770-013312](#) [806542N001](#) [807507-000](#) [808362-000](#) [808618-000](#) [809125-000](#) [809130-000](#) [809218-000](#) [812014-000](#) [812047-000](#) [813166-000](#) [813767N002](#) [814741-000](#) [819117N001](#) [823026-000](#) [823070-000](#) [841189N001](#) [861471-000](#) [866647-000](#) [879515-000](#) [937577-000](#) [957073-000](#) [982033-2](#) [A77813-000](#) [R280576000](#) [D96192-000](#) [163549-000](#) [EN3BOOTLKIT](#) [MTPSRBCL-C](#) [1954015-1](#) [200W531-3-0](#) [202A163-4-0-CS5067](#) [202A343-3-00-0](#) [202B221-13-0](#) [202B231-13-0](#) [202B563-25-07-0](#) [202C241-13-0](#)