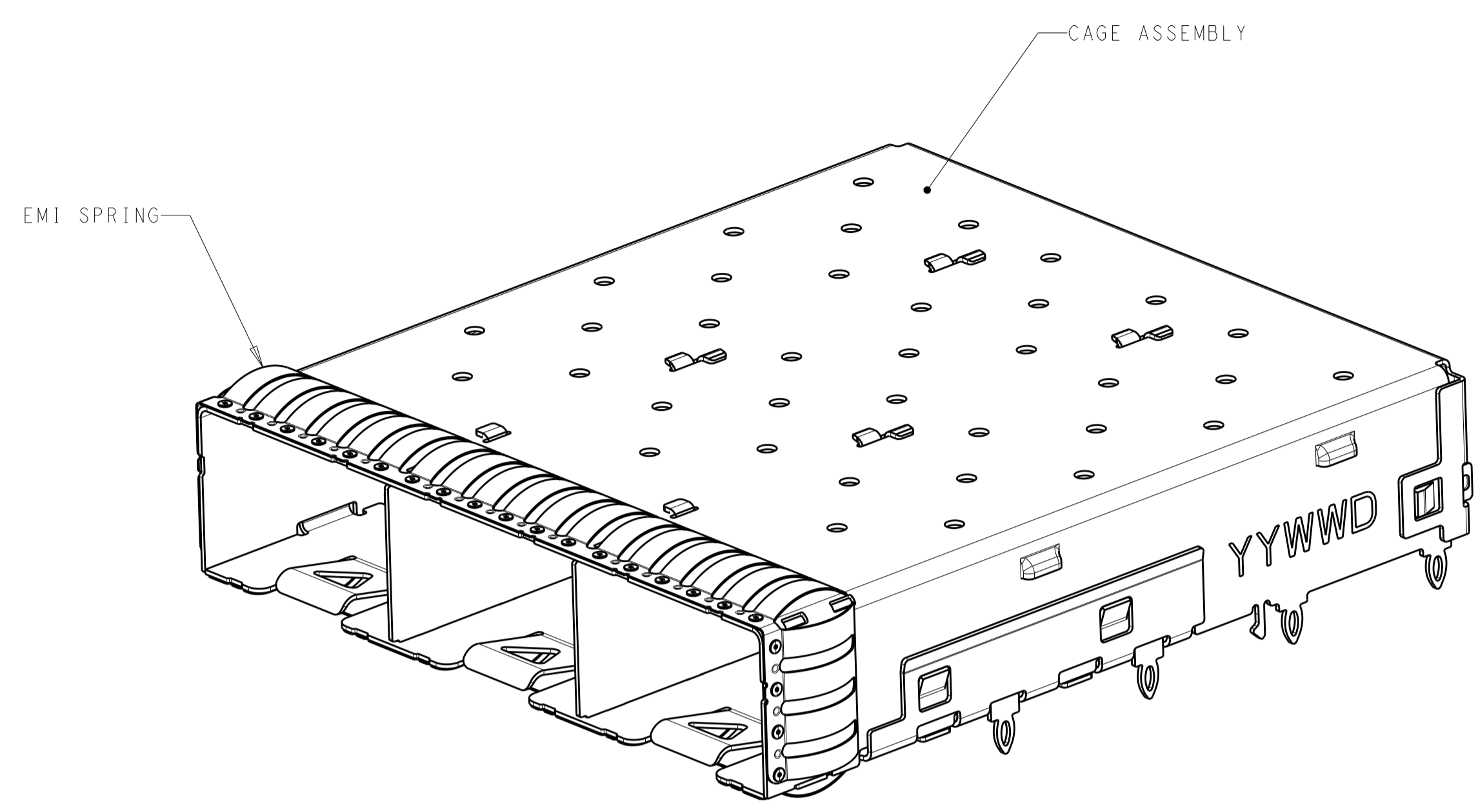
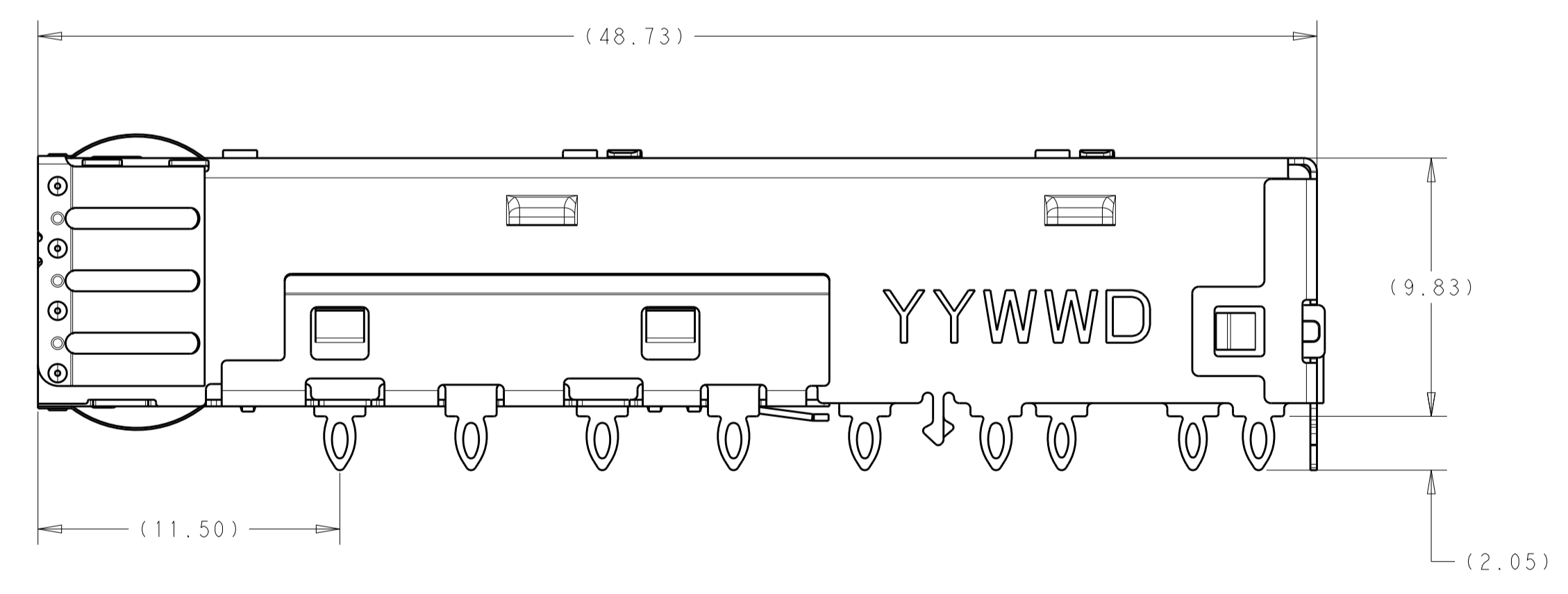
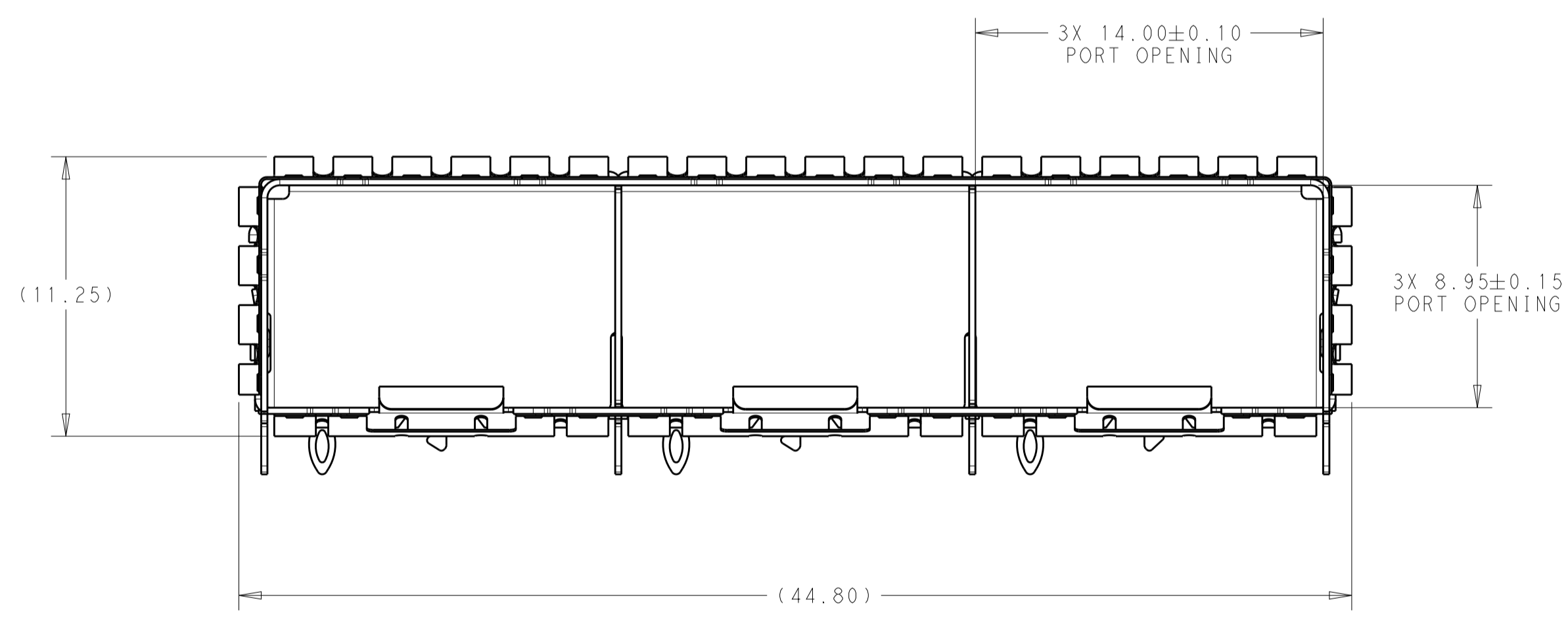


REVISIONS					
P.	LTN	DESCRIPTION	DATE	DMN	APVD
1		PRELIMINARY	24JAN2019	IT	SH



2350202-1 AS SHOWN

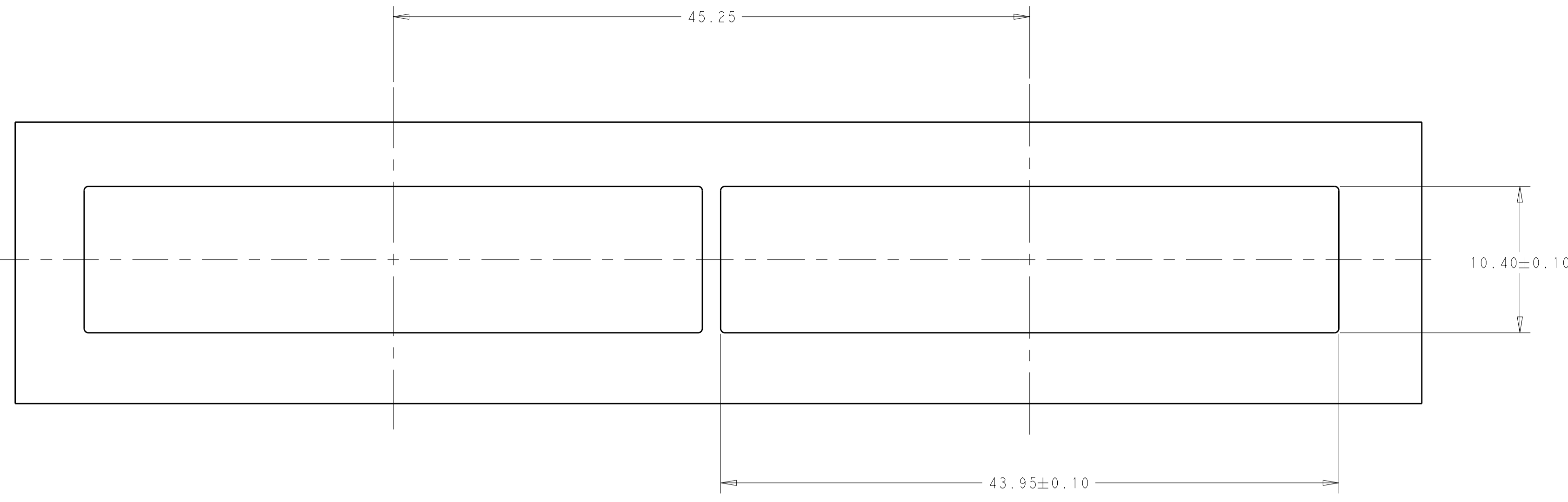
- 1. MATERIAL:  
CAGE ASSEMBLY: STAINLESS STEEL, 0.25MM THICK  
EMI SPRINGS: PHOSPHOR BRONZE, NICKEL PLATED
- 2. MINMUM PC BOARD THICKNESS:  
SINGLE SIDED: 1.45MM  
BELLY TO BELLY: 2.25MM
- 3. PADS AND VIAS CHASSIS GROUND
- 4. DATUM AND BASIC DIMENSION ESTABLISHED BY CUSTOMER
- 5. MATES WITH SFP MSA COMPLIANT TRANSCEIVERS
- 6. INTERPRETATION OF DATUM REFERENCE FRAME IN ACCORDANCE WITH SECT 4.4.1.1 OF ASME Y14.5M-1994
- 7. REFERENCE APPLICATION SPEC. 114-13120, HOLE A, FOR RECOMMENDED DRILL HOLE DIAMETER AND PLATING THICKNESS
- 8. REFERENCE APPLICATION SPEC. 114-13120, HOLE B, FOR RECOMMENDED DRILL HOLE DIAMETER AND PLATING THICKNESS
- 9. HOLE PATTERN REPEATS FOR EACH PORT, SPACING BETWEEN PORTS IS 14.25mm
- 10. PRODUCT COMPLIES WITH SPECIFICATION SFF-8433, IMPROVED PLUGGABLE FORMFACTOR FOR SFP+ GANGED CAGES



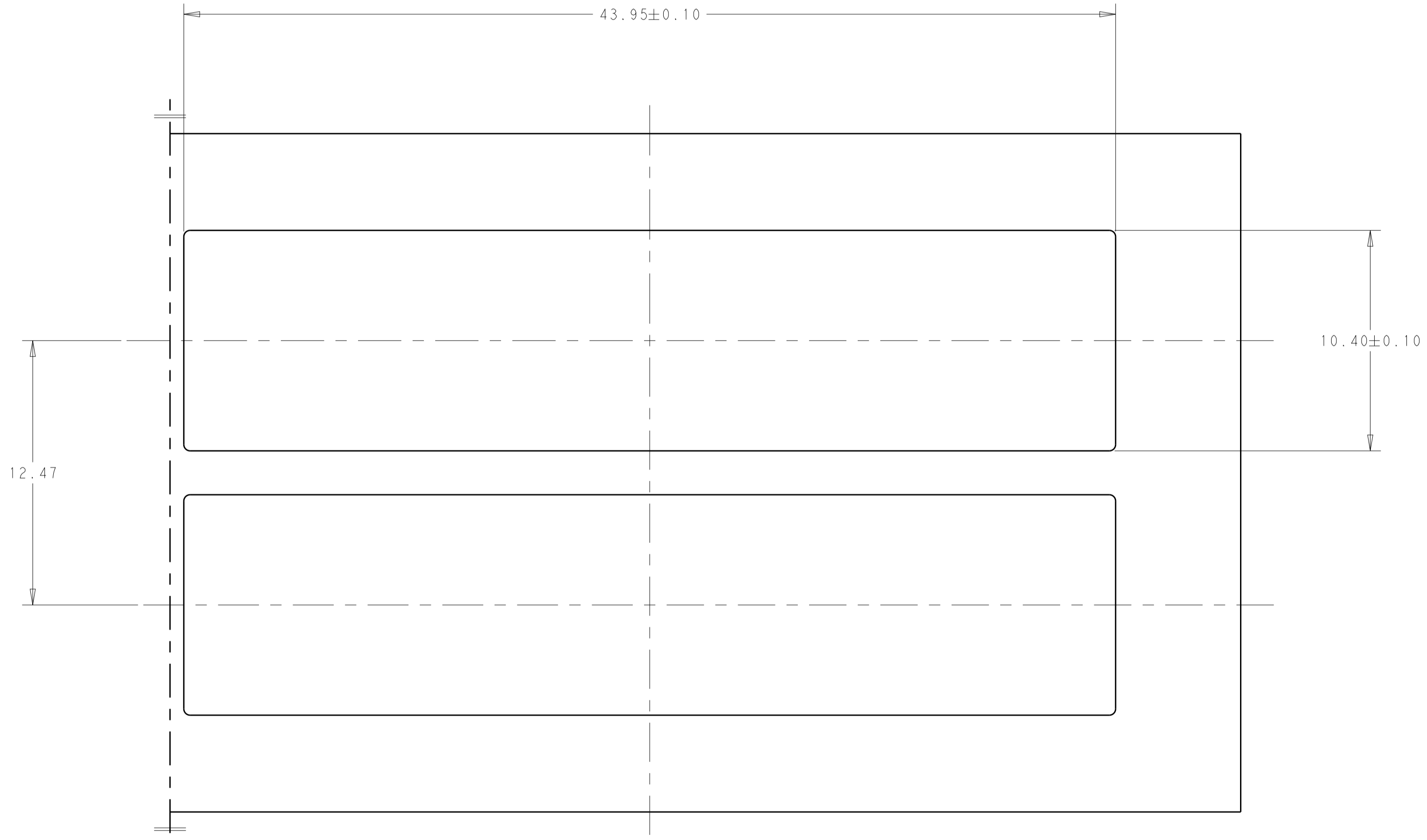
1	2350202-1
MATERIAL	PART NUMBER

THIS DRAWING IS A CONTROLLED DOCUMENT.		DMN	IYAN TIAN	14JAN2019
DIMENSIONS:		CHK	SEAN HAN	14JAN2019
mm	TOLERANCES UNLESS OTHERWISE SPECIFIED:	APVD	SEAN HAN	14JAN2019
0 PLC	±	PRODUCT SPEC	1X3 ZSFP+ CAGE ASSEMBLY	
1 PLC	±0.25	NAME	PRESS-FIT	
2 PLC	±0.15	PRODUCT SPEC	WITH EXTERNAL EMI SPRING	
3 PLC	±	APPLICATION SPEC	SIZE	CAGE CODE DRAWING NO
4 PLC	±	114-13120	A1	07799C=2350202
ANGLES	±	WEIGHT	-	
FINISH	±	CUSTOMER DRAWING	SCALE	2:1
MATERIAL		SHEET		1 OF 4
-		REV		1

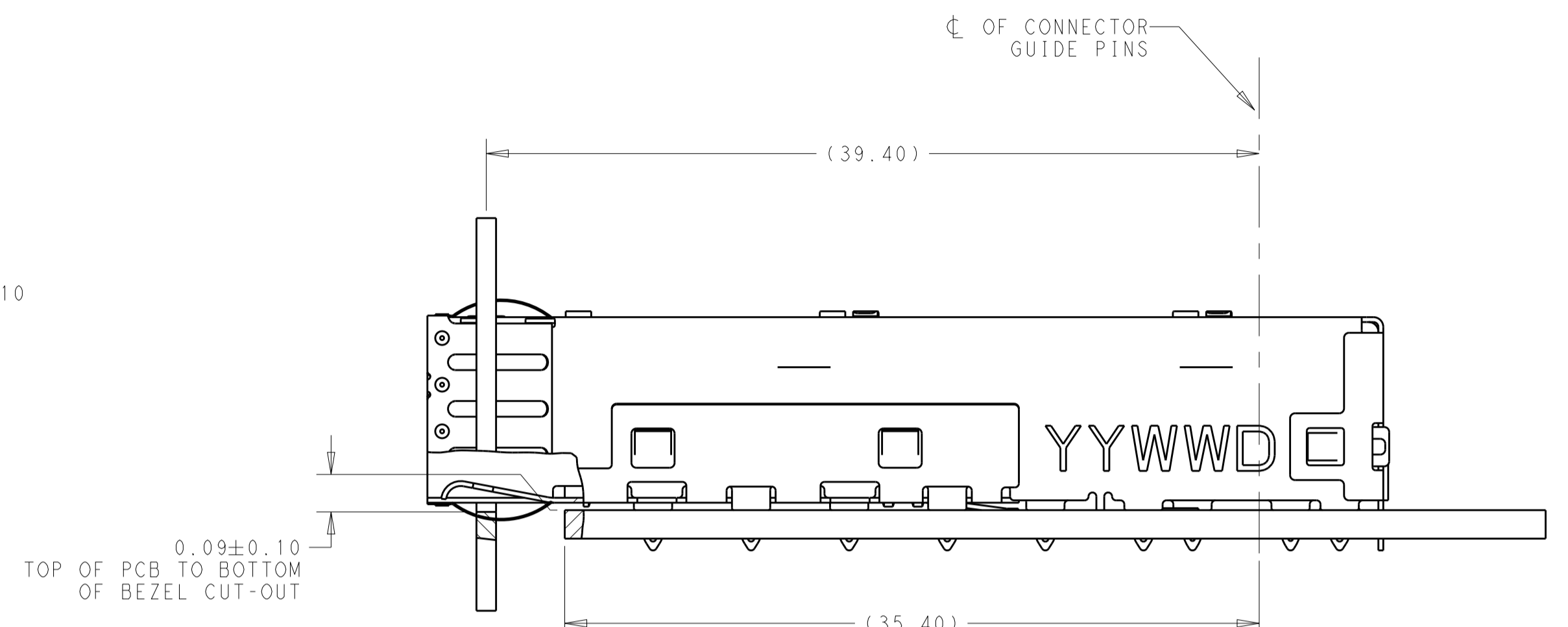
REVISIONS				
P.	LTN.	DESCRIPTION	DATE	APP'D.
-		SEE SHEET 1	-	-



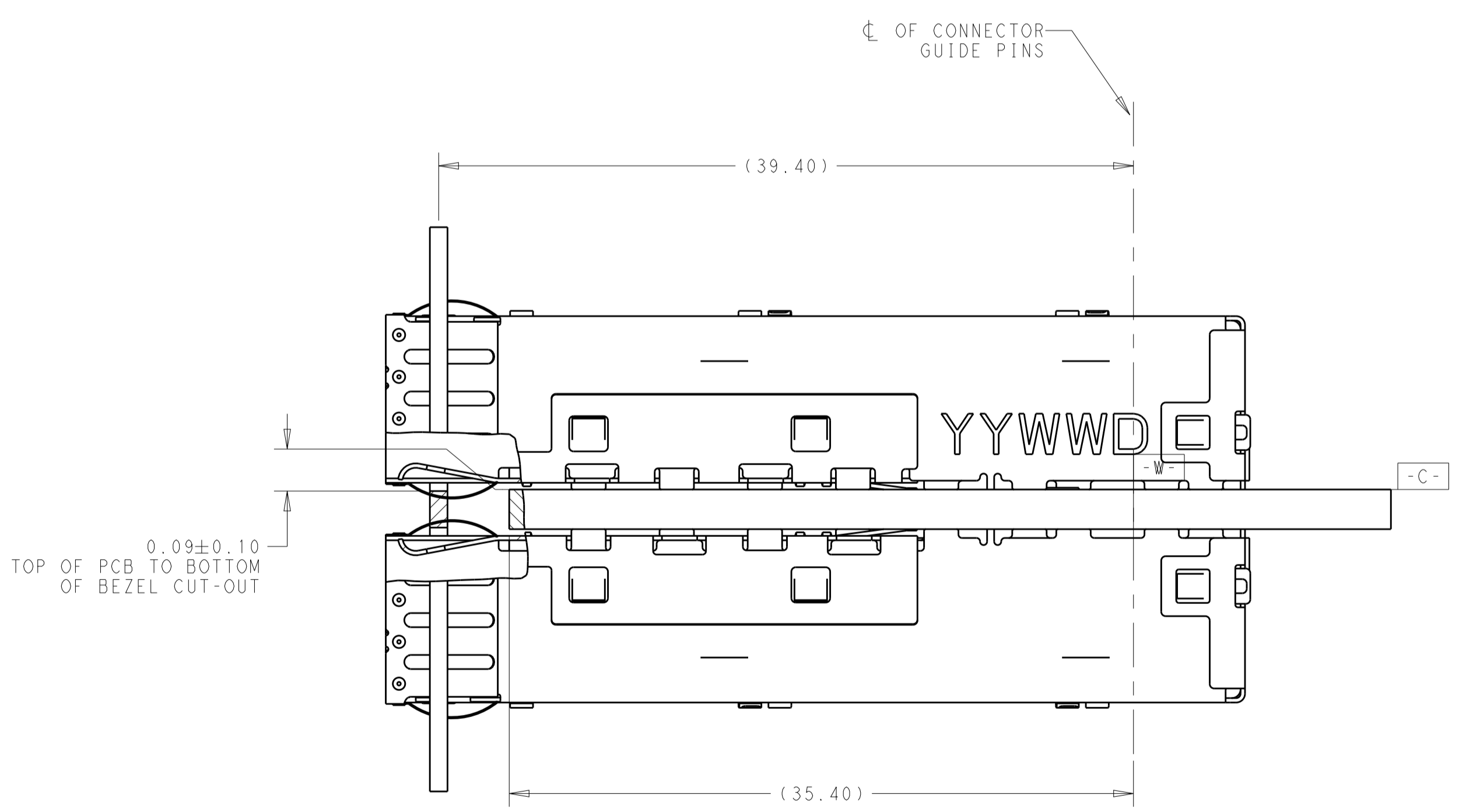
RECOMMENDED BEZEL CUT-OUT  
 SINGLE SIDED APPLICATION  
 SCALE 4:1



RECOMMENDED BEZEL CUT-OUT  
 BELLY TO BELLY APPLICATION  
 SCALE 6:1



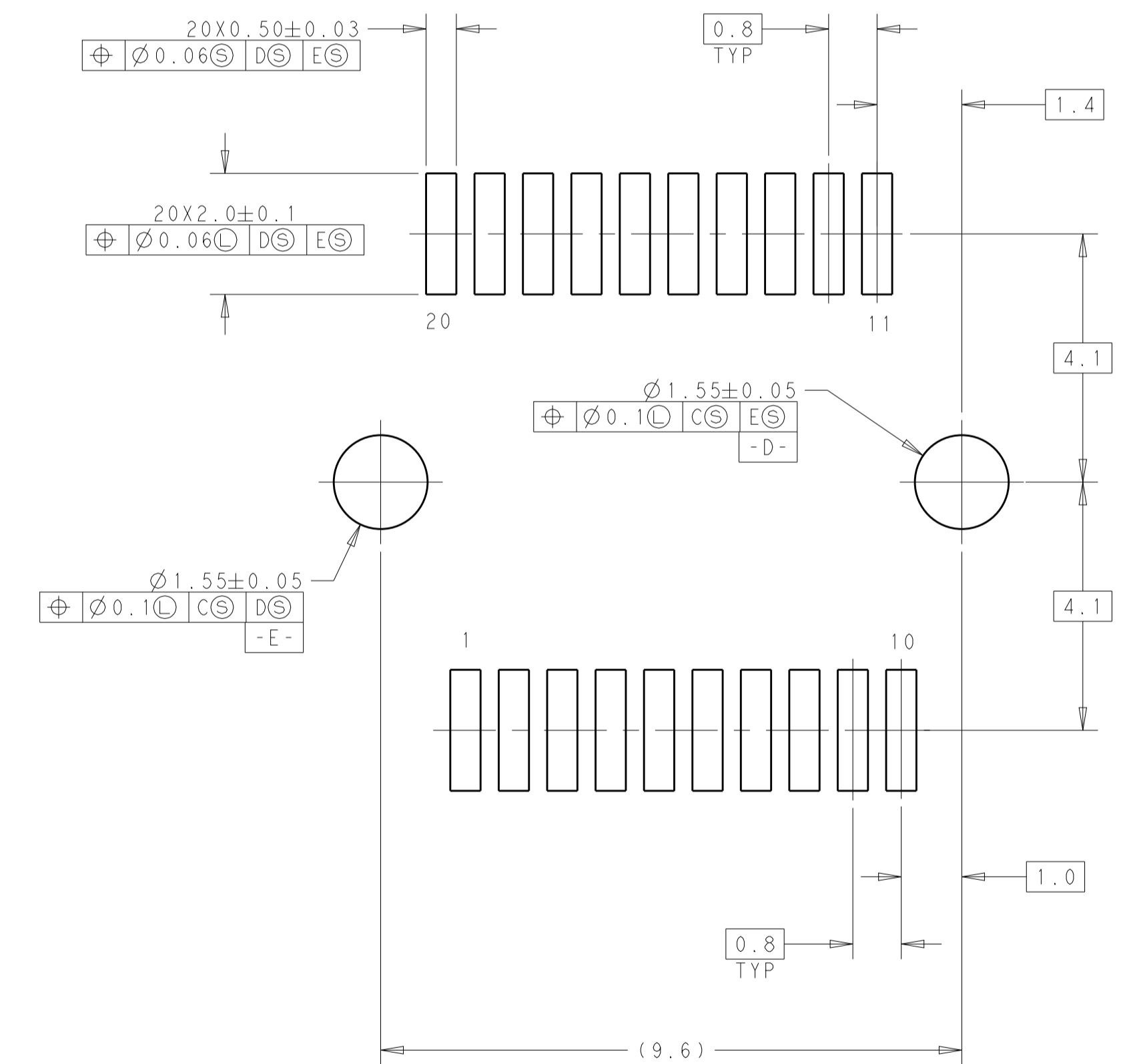
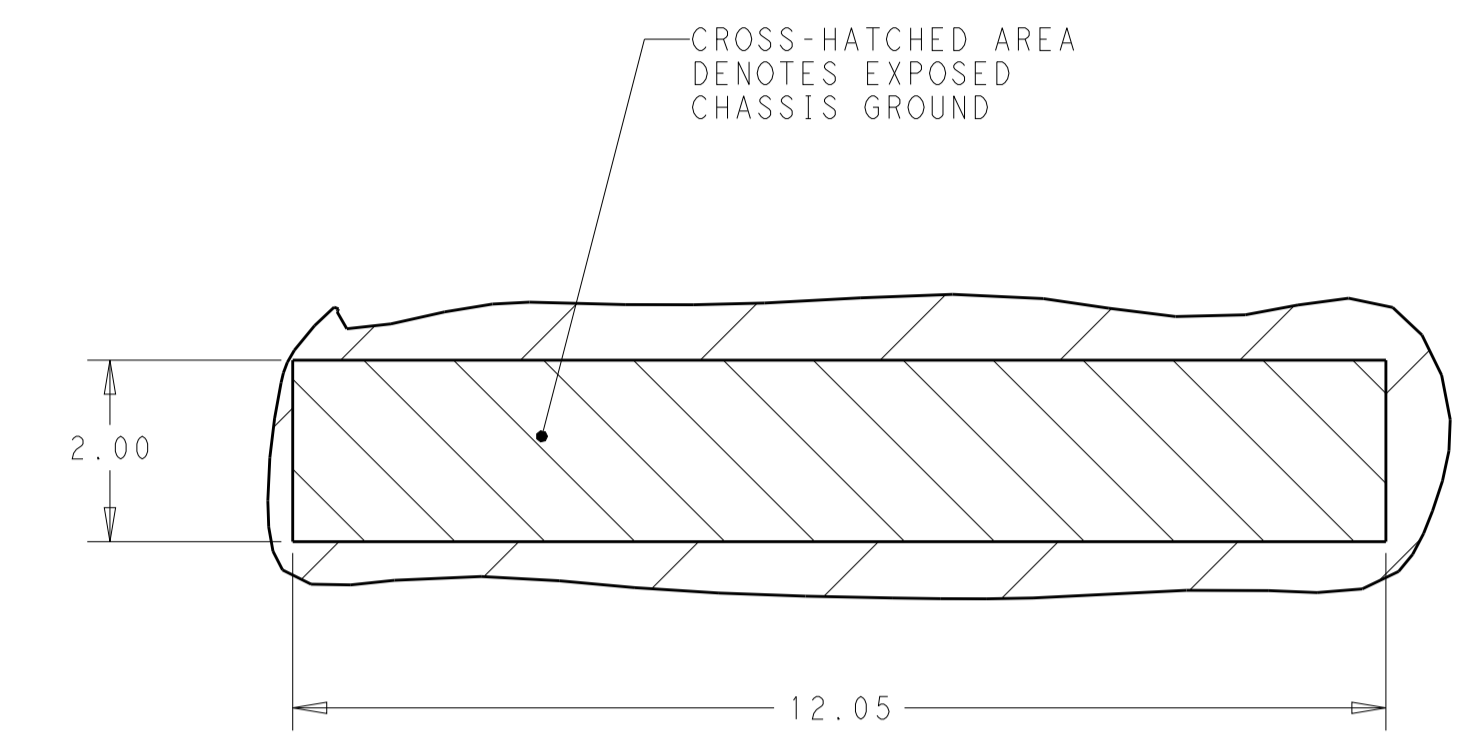
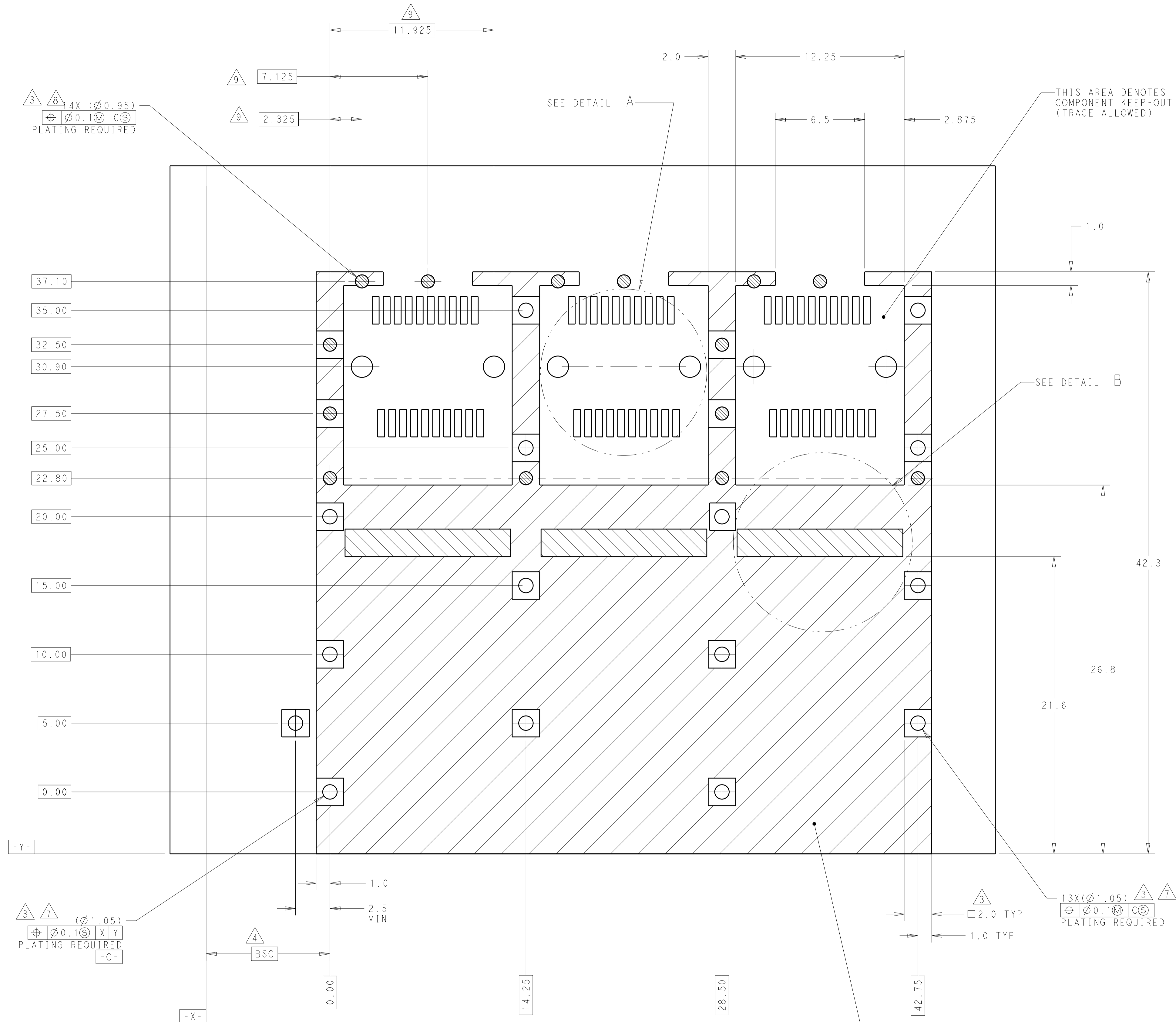
MOUNTED ON PC BOARD  
 SHOWN THRU RECOMMENDED BEZEL  
 SCALE 4:1



MOUNTED ON BELLY TO BELLY PC BOARD  
 SHOWN THRU RECOMMENDED BEZEL  
 SCALE 4:1

THIS DRAWING IS A CONTROLLED DOCUMENT.		OWN: IVAN TIAN 14JAN2019	
		CHK: SEAN HAN 14JAN2019	
DIMENSIONS:		APVD: SEAN HAN 14JAN2019	NAME: 1X3 ZSFP+ CAGE ASSEMBLY PRESS-FIT WITH EXTERNAL EMI SPRING
TOLERANCES UNLESS OTHERWISE SPECIFIED:		PRODUCT SPEC	
mm	0 PLC ±	108-2364	SIZE: CAGE CODE DRAWING NO RESTRICTED TO
	1 PLC ±0.25	APPLICATION SPEC	
	2 PLC ±0.15	114-13120	A107799C=2350202
	3 PLC ±	WEIGHT	
	4 PLC ±	CUSTOMER DRAWING	SCALE 2:1 SHEET 2 OF 4 REV 1
	ANGLES ±		
	FINISH ±		

REVISIONS				
P.	LTN.	DESCRIPTION	DATE	APPD.
-	-	SEE SHEET 1	-	-



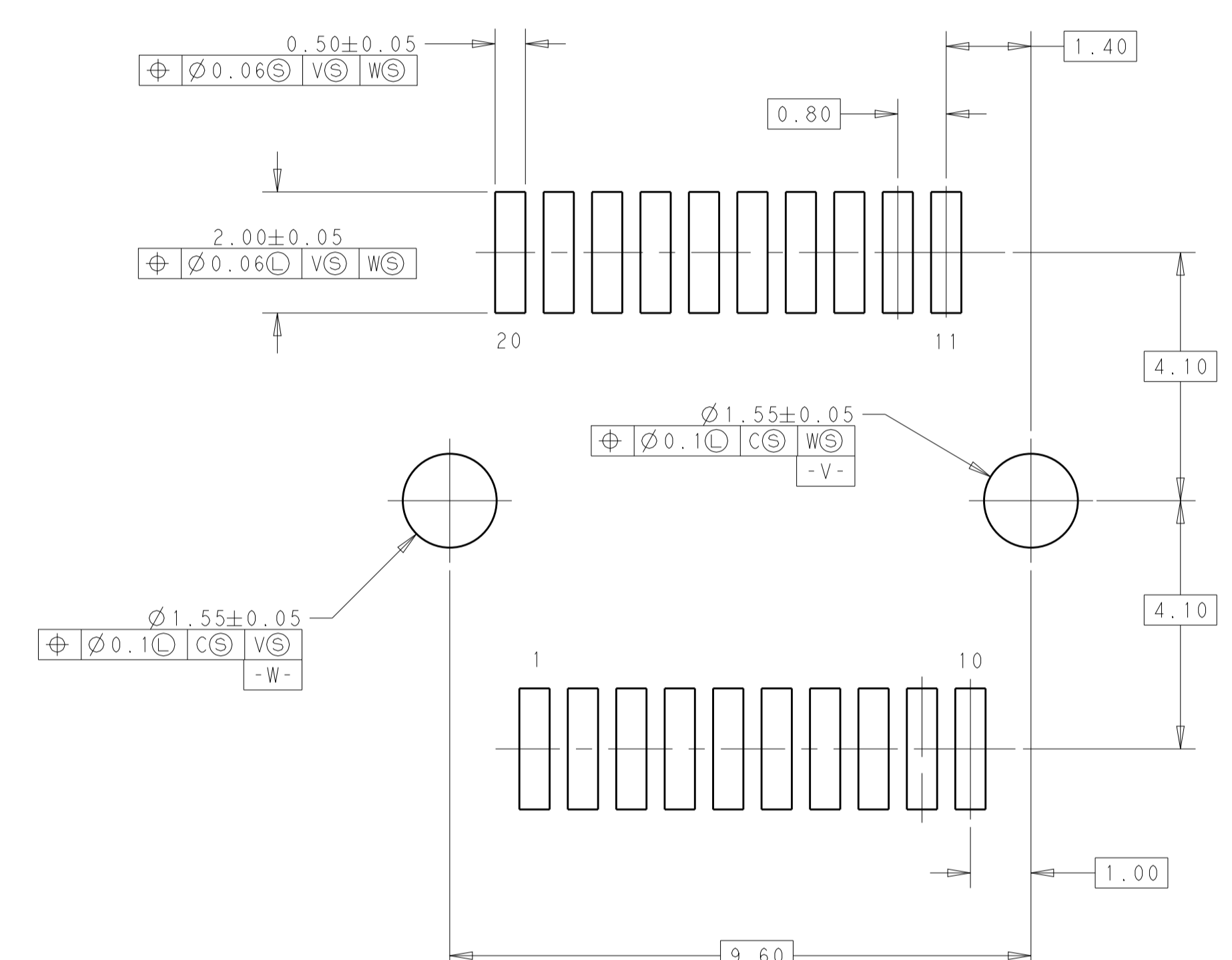
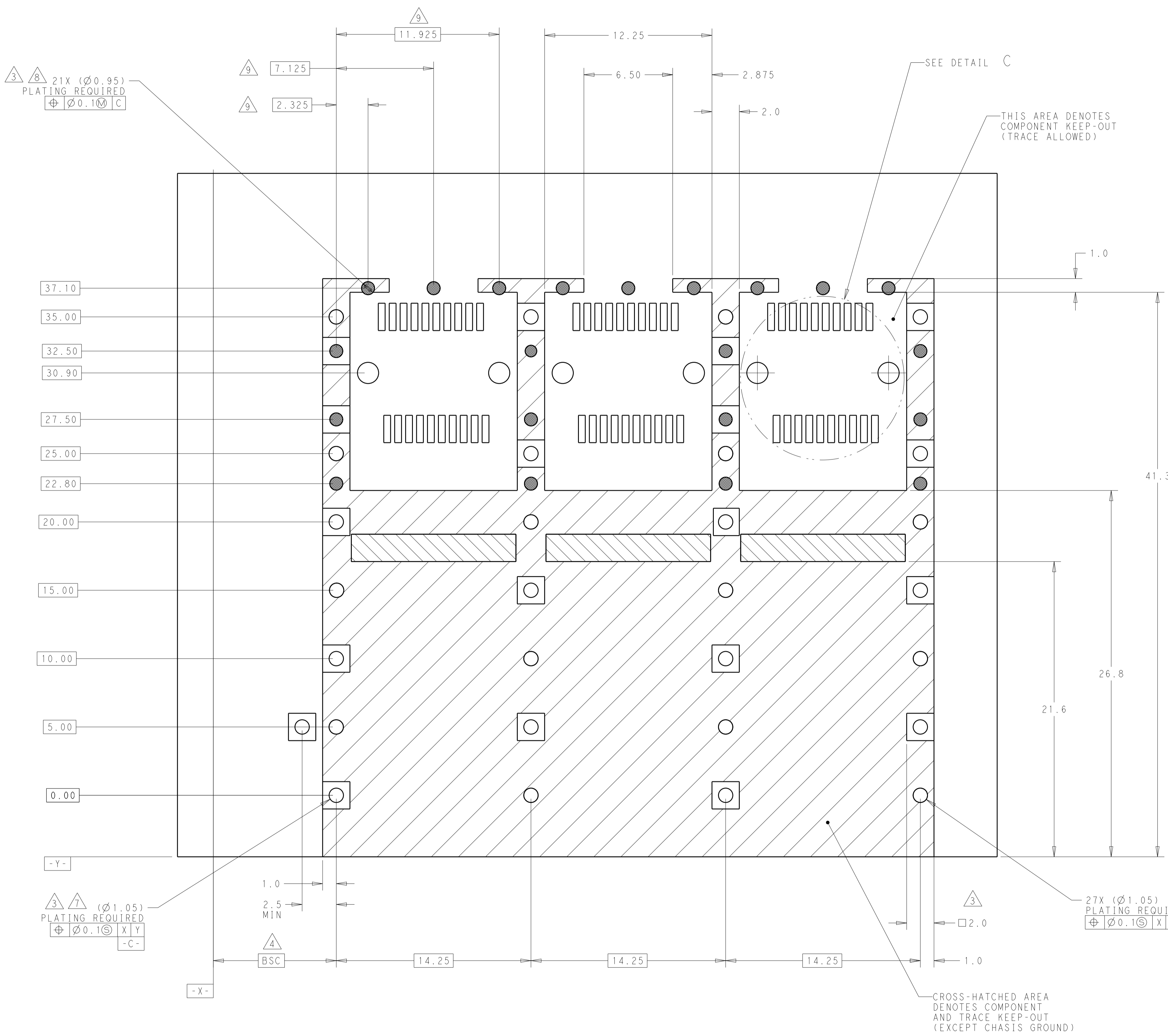
RECOMMENDED PCB CONFIGURATION  
 WITH KEEP-OUT AREAS  
 SINGLE SIDED APPLICATION  
 SCALE 4:1

CROSS-HATCHED AREA  
 DENOTES COMPONENT  
 AND TRACE KEEP-OUT  
 (EXCEPT CHASSIS GROUND)

DETAIL A  
 RECOMMENDED PT CONNECTOR LAYOUT  
 3X INDIVIDUALLY

THIS DRAWING IS A CONTROLLED DOCUMENT.		OWN: IVAN TIAN 14JAN2019	TE Connectivity
DIMENSIONS: mm		CHK: SEAN HAN 14JAN2019	
TOLERANCES UNLESS OTHERWISE SPECIFIED:		APPD: SEAN HAN 14JAN2019	NAME: 1X3 ZSFP+ CAGE ASSEMBLY
0 PLC ±0.25	1 PLC ±0.15	PRODUCT SPEC: 108-2364	PRESS-FIT
2 PLC ±0.15	3 PLC ±0.15	APPLICATION SPEC: 114-13120	WITH EXTERNAL EMI SPRING
4 PLC ±0.15	ANGLES ±1°	SIZE: CAGE CODE DRAWING NO: A107799	RESTRICTED TO: -
MATERIAL: -	FINISH: -	WEIGHT: -	SCALE: 2:1
CUSTOMER DRAWING		SCALE: 2:1	SHEET 3 OF 4
			REV 1

REVISIONS				
P.	LTN	DESCRIPTION	DATE	APVD
-	-	SEE SHEET 1	-	-



DETAIL C  
 SCALE 12:1

RECOMMENDED PCB CONFIGURATION  
 WITH KEEP-OUT AREAS  
 BELLY TO BELLY APPLICATION  
 SCALE 4:1

THIS DRAWING IS A CONTROLLED DOCUMENT.		OWN: IVAN TIAN 14JAN2019	TE Connectivity
DIMENSIONS: mm		CHK: SEAN HAN 14JAN2019	
TOLERANCES UNLESS OTHERWISE SPECIFIED:		APVD: SEAN HAN 14JAN2019	NAME: 1X3 ZSFP+ CAGE ASSEMBLY PRESS-FIT WITH EXTERNAL EMI SPRING PRODUCT SPEC: 108-2364 APPLICATION SPEC: 114-13120 SIZE: CAGE CODE DRAWING NO: A107799C=2350202 WEIGHT: - CUSTOMER DRAWING
0 PLC ± 1 PLC ±0.25 2 PLC ±0.15 3 PLC ± 4 PLC ± ANGLES ±1°		RESTRICTED TO: -	
MATERIAL: -		SCALE: 2:1	
FINISH: -		SHEET 4 OF 4 REV 1	

## X-ON Electronics

Largest Supplier of Electrical and Electronic Components

*Click to view similar products for [I/O Connectors](#) category:*

*Click to view products by [TE Connectivity](#) manufacturer:*

Other Similar products are found below :

[571763P](#) [58098-0628](#) [72.250.1628.2](#) [72.250.2428.2](#) [74720-0505](#) [76.350.0729.0](#) [76871-1403](#) [FCN-244F080-G/1](#) [FCN-260A9920](#) [PCR-E36PM](#) [PCS-XE26MA+](#) [G38A71314B](#) [DX40-50P\(55\)](#) [1571250010](#) [157-22500-3](#) [MS3471L14-19P L/C](#) [91-569786-35H](#) [172501-4002](#) [172501-6002](#) [FCN-260C008-A/L0](#) [FCN-260C024-AL0](#) [FCN-261Z008](#) [2000314-1](#) [200331-1](#) [PCR-E36FC+](#) [PCS-E28FS+](#) [PCS-XE26SLFD+](#) [PCS-XE26SLFDT+](#) [G730VID08BDC24](#) [U90B2054081210](#) [UE86K842720321](#) [38113800006](#) [DP3AR020WQ1R200](#) [Z4.102.0680.0](#) [500-1040](#) [500-1052](#) [500-1054](#) [ZP-4008-66L](#) [0709821002](#) [10-565995-597N](#) [DX40-20P\(55\)](#) [5554841-1](#) [MS3474W18-8P-LC\\*](#) [U90B3054061110](#) [U65-E04-4020](#) [ZPF000000000097891](#) [557-262M2-06C](#) [747360449](#) [10099439-003C-TRLF](#) [10137239-0021LF](#)