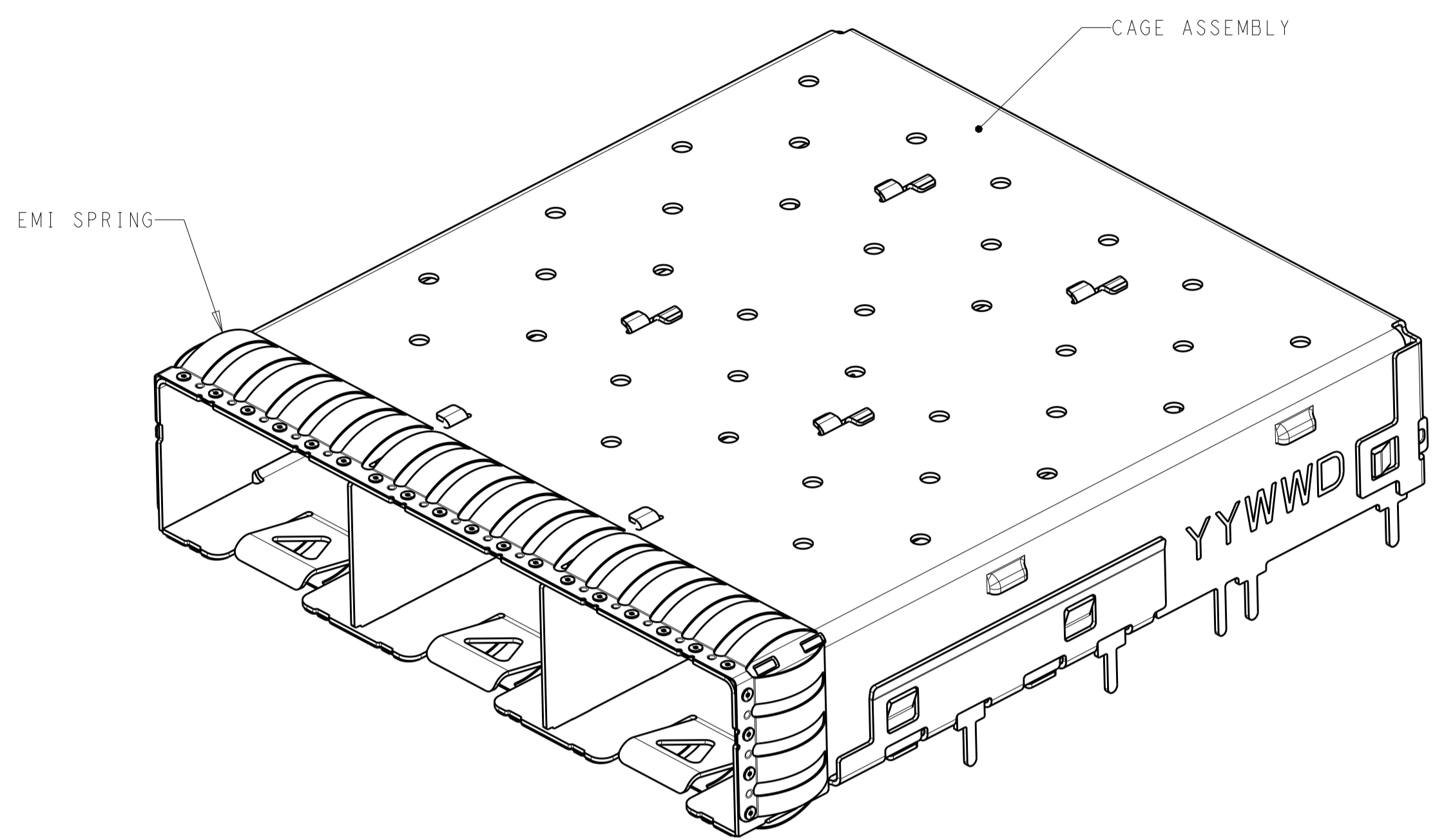
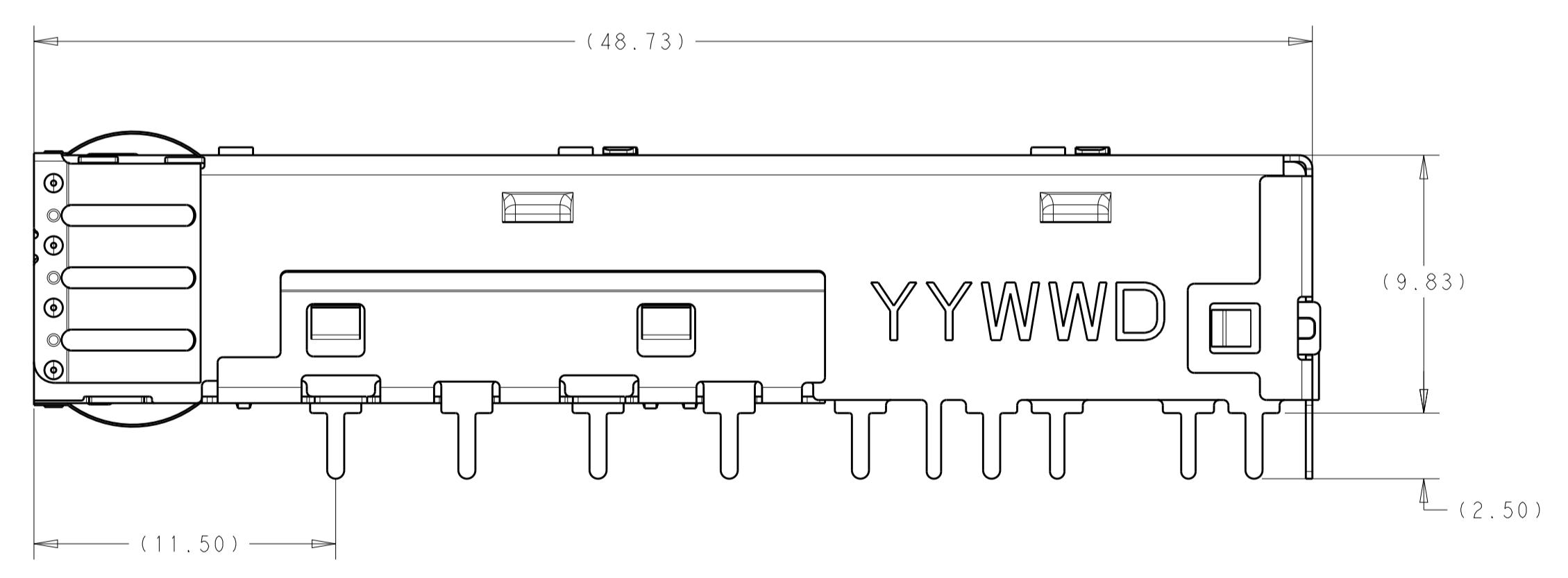
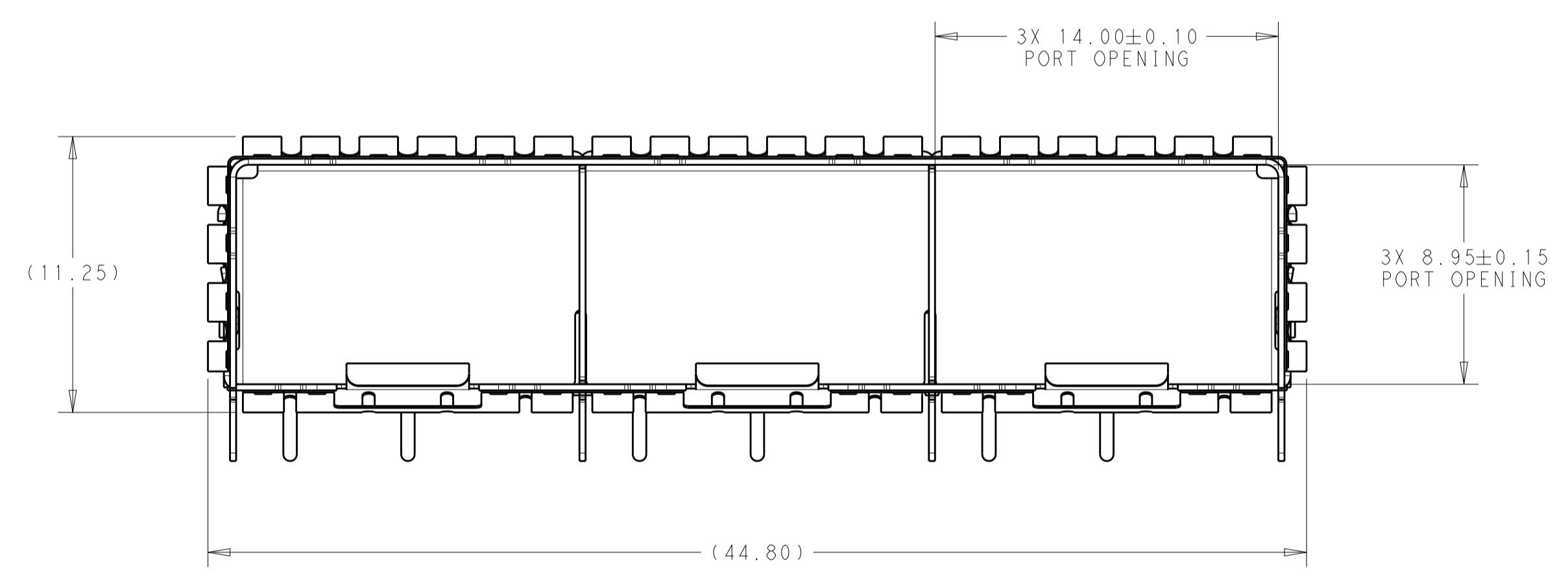


REVISIONS				
P	LTN	DESCRIPTION	DATE	OWN APVD
1		PRELIMINARY	25JAN2019	IT SH



2350203-1 AS SHOWN

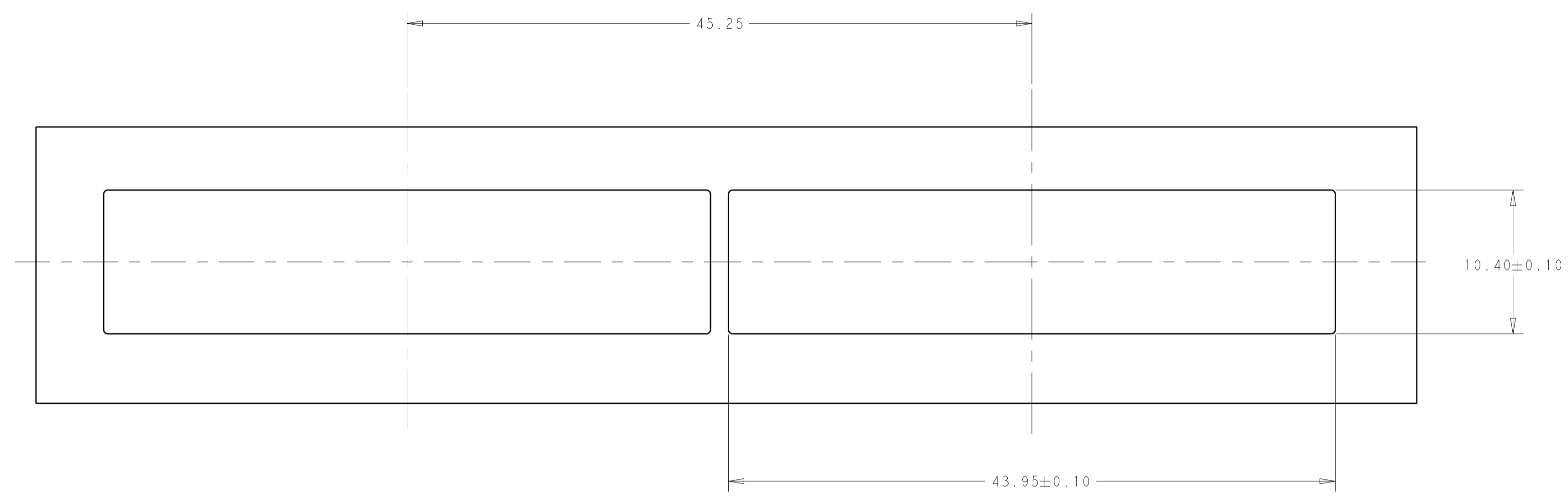
- 1 MATERIAL:
CAGE ASSEMBLY: STAINLESS STEEL, 0.25MM THICK
EMI SPRINGS: PHOSPHOR BRONZE, NICKEL PLATED
- 2 MINMUM PC BOARD THICKNESS:
SINGLE SIDED: 1.45MM
- 3 PADS AND VIAS CHASSIS GROUN
- 4 DATUM AND BASIC DIMENSION ESTABLISHED BY CUSTOMER
- 5. MATES WITH SFP MSA COMPLIANT TRANSCEIVERS
- 6. INTERPRETATION OF DATUM REFERENCE FRAME IN ACCORDANCE WITH SECT 4.4.1.1 OF ASME Y14.5M-1994
- 7 REFERENCE APPLICATION SPEC. 114-13120, HOLE A, FOR RECOMMENDED DRILL HOLE DIAMETER AND PLATING THICKNESS
- 8 REFERENCE APPLICATION SPEC. 114-13120, HOLE B, FOR RECOMMENDED DRILL HOLE DIAMETER AND PLATING THICKNESS
- 9 HOLE PATTERN REPEATS FOR EACH PORT, SPACING BETWEEN PORTS IS 14.25mm
- 10. PRODUCT COMPLIES WITH SPECIFICATION SFF-8433, IMPROVED PLUGGABLE FORMFACTOR FOR SFP+ GANGED CAGES



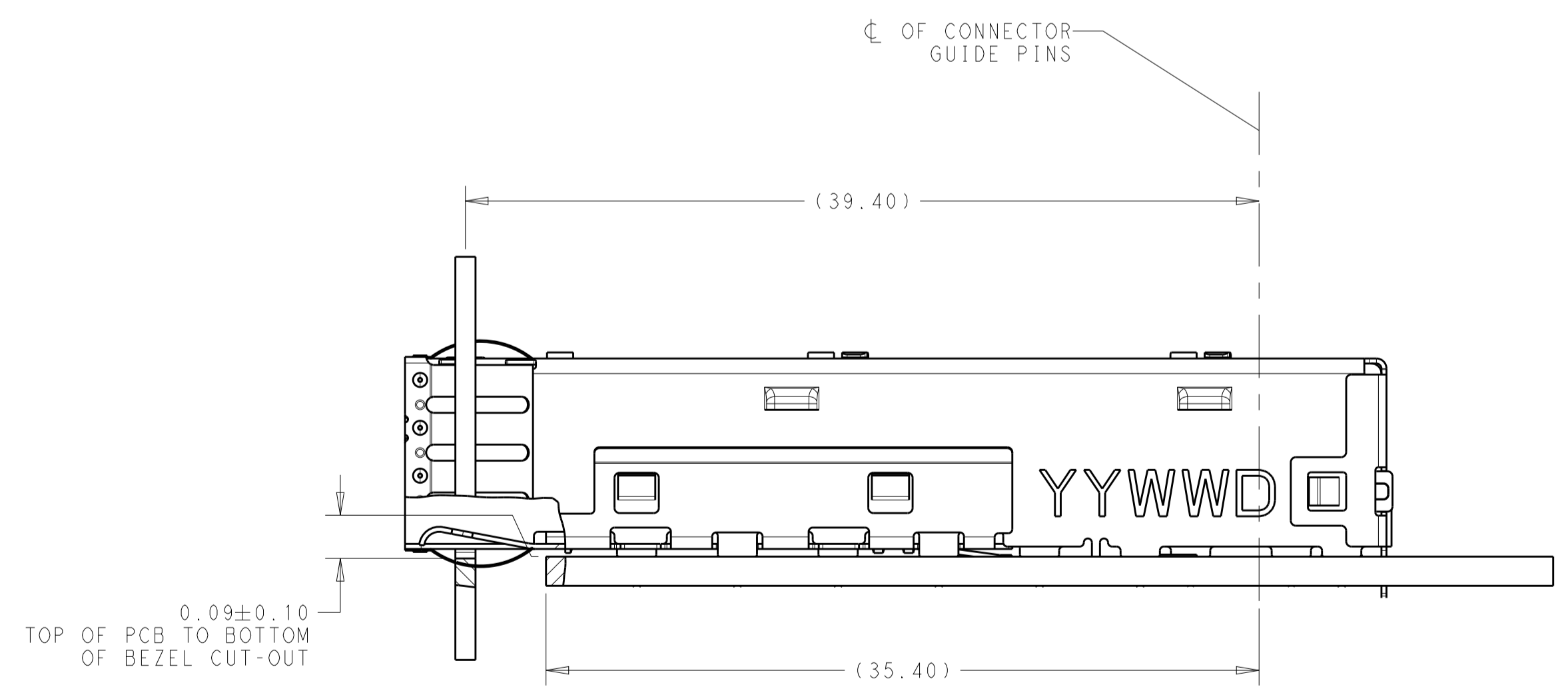
1	2350203-1
MATERIAL	PART NUMBER

THIS DRAWING IS A CONTROLLED DOCUMENT.		OWN: IVAN TIAN 14JAN2019	TE Connectivity
DIMENSIONS: mm		CHK: SEAN HAN 14JAN2019	
TOLERANCES UNLESS OTHERWISE SPECIFIED:		APVD: SEAN HAN 14JAN2019	
0 PLC ± 1 PLC ±0.25 2 PLC ±0.15 3 PLC ± 4 PLC ± ANGLES ±1° FINISH		NAME: 1X3 ZSFP+ CAGE ASSEMBLY PRODUCT SPEC: 108-2364 APPLICATION SPEC: 114-13120 WEIGHT: - CUSTOMER DRAWING	
MATERIAL	1	SIZE: CAGE CODE DRAWING NO: A107799C=2350203	RESTRICTED TO: -
SCALE: 2:1		SHEET: 1 OF 3	REV: 1

REVISIONS				
P.	LTN	DESCRIPTION	DATE	APVD
-		SEE SHEET 1	-	-



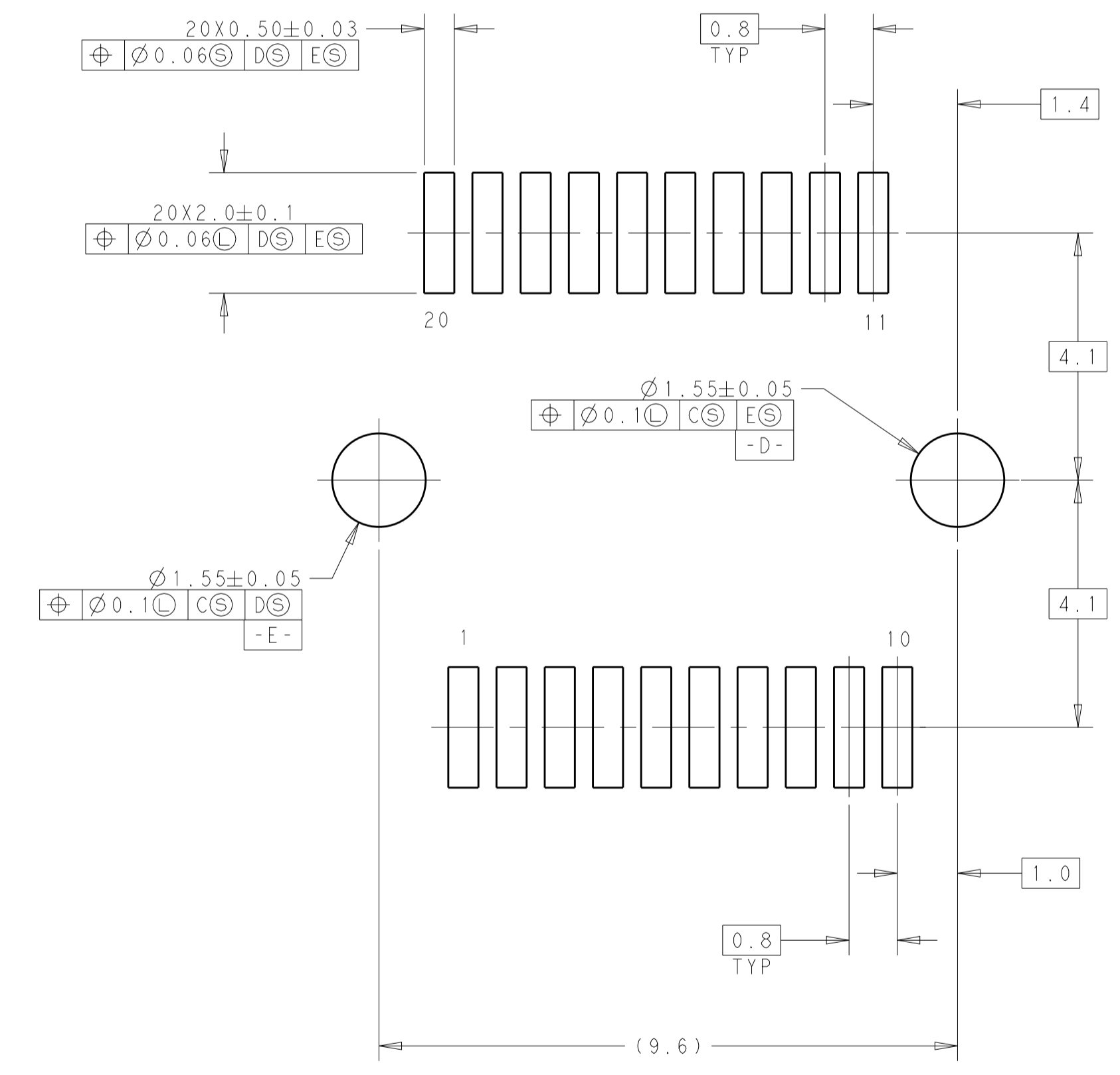
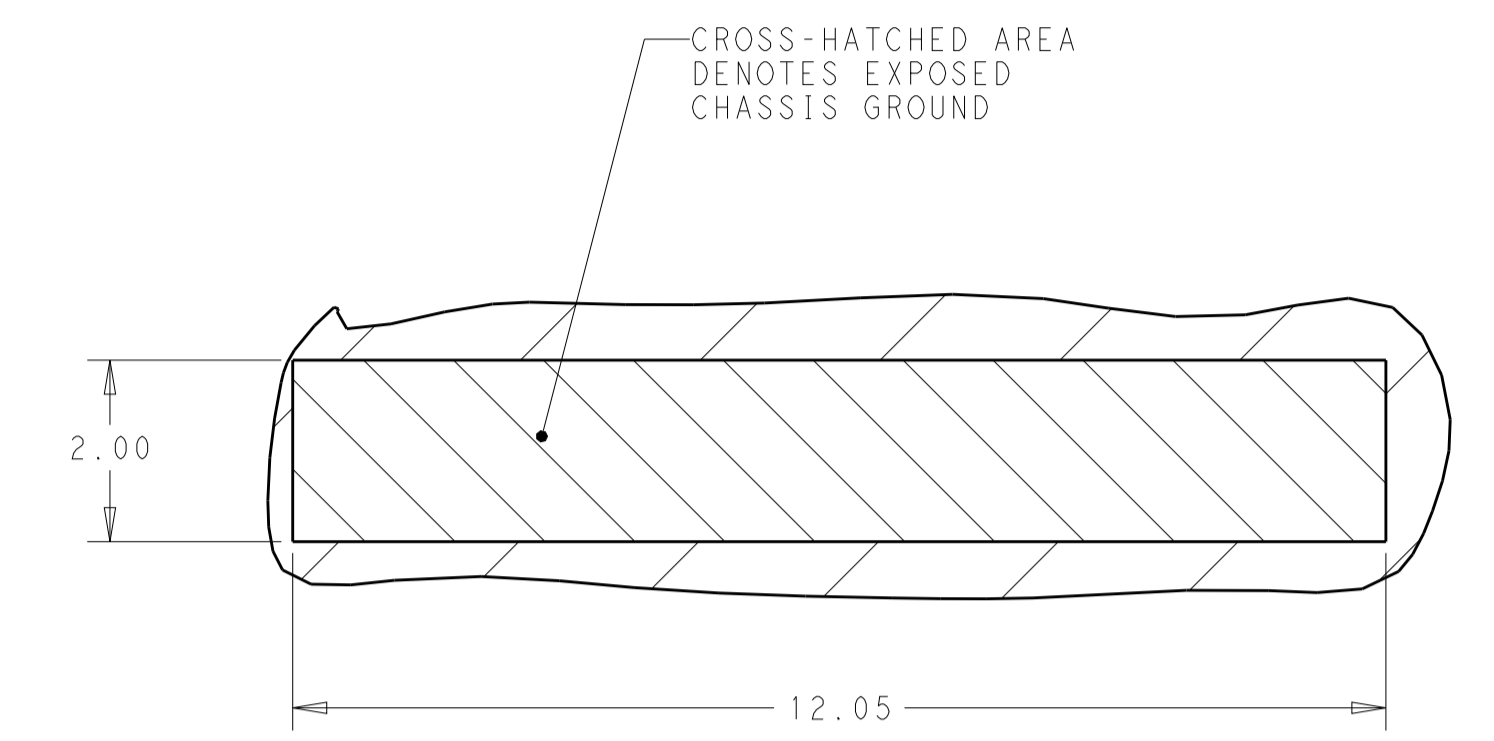
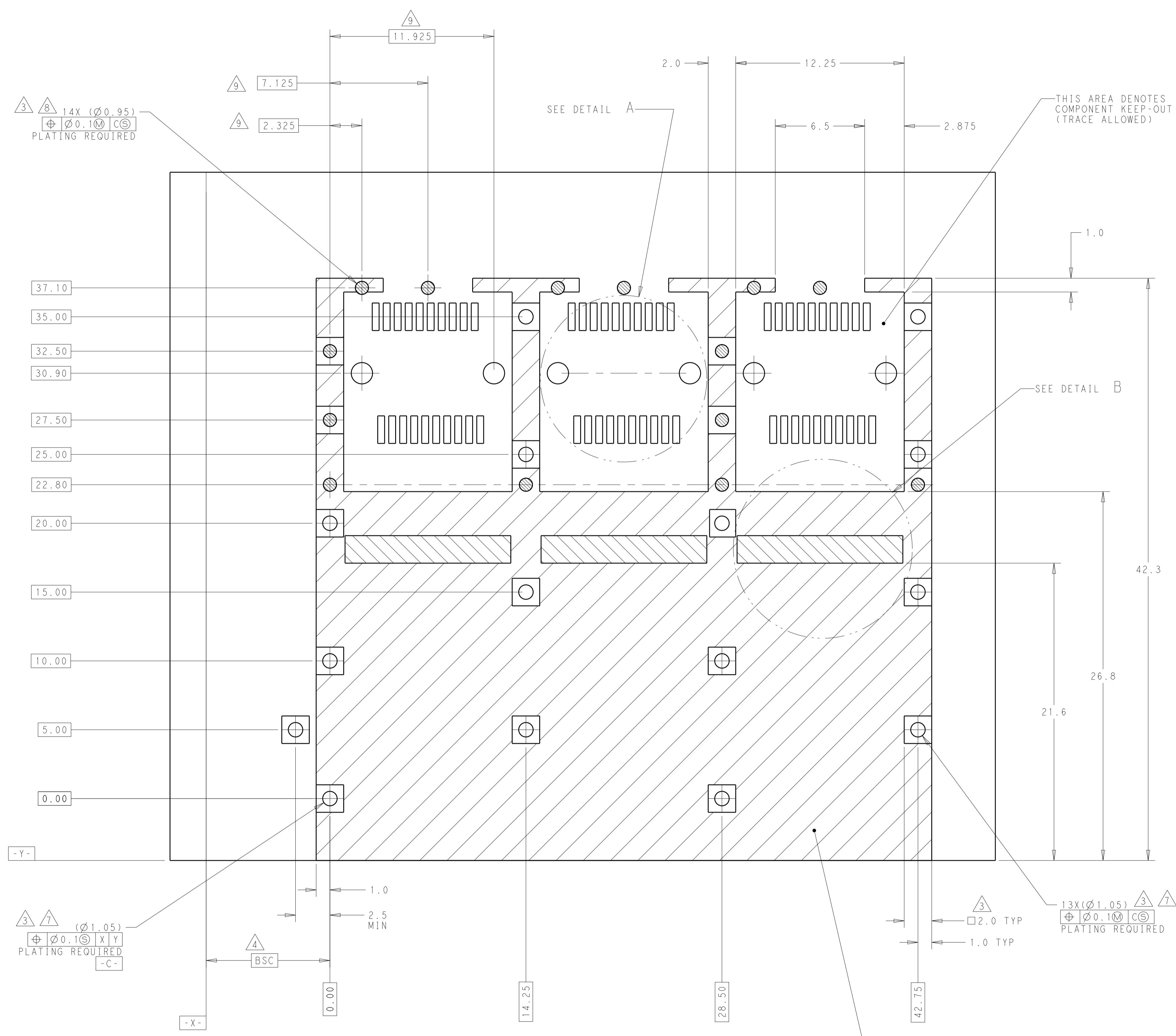
RECOMMEDED BEZEL CUT-OUT
 SINGLE SIDED APPLICATION
 SCALE 4:1



MOUNTED ON PC BOARD
 SHOWN THRU RECOMMEDED BEZEL
 SCALE 4:1

THIS DRAWING IS A CONTROLLED DOCUMENT.		OWN: IVAN TIAN 14JAN2019	STE TE Connectivity
DIMENSIONS: mm		CHK: SEAN HAN 14JAN2019	
TOLERANCES UNLESS OTHERWISE SPECIFIED:		APVD: SEAN HAN 14JAN2019	NAME: 1X3 ZSFP+ CAGE ASSEMBLY
0 PLC ±	1 PLC ±0.25	PRODUCT SPEC	SOLDER TAIL
2 PLC ±0.15	3 PLC ±	108-2364	WITH EXTERNAL EMI SPRING
4 PLC ±	ANGLES ±1°	APPLICATION SPEC	SIZE: CAGE CODE DRAWING NO
MATERIAL:	FINISH:	114-13120	RESTRICTED TO
WEIGHT:		A107799C=2350203	SCALE: 2:1 SHEET 2 OF 3 REV 1
CUSTOMER DRAWING			

REVISIONS				
P.	LTN.	DESCRIPTION	DATE	APPD.
-	-	SEE SHEET 1	-	-



RECOMMENDED PCB CONFIGURATION
 WITH KEEP-OUT AREAS
 SINGLE SIDED APPLICATION
 SCALE 4:1

CROSS-HATCHED AREA
 DENOTES COMPONENT
 AND TRACE KEEP-OUT
 (EXCEPT CHASSIS GROUND)

DETAIL A
 RECOMMENDED PT CONNECTOR LAYOUT
 3X INDIVIDUALLY

THIS DRAWING IS A CONTROLLED DOCUMENT.		OWN: IVAN TIAN 14JAN2019	TE Connectivity
DIMENSIONS: mm		CHK: SEAN HAN 14JAN2019	
TOLERANCES UNLESS OTHERWISE SPECIFIED:		APPD: SEAN HAN 14JAN2019	NAME: 1X3 ZSFP+ CAGE ASSEMBLY
0 PLC ±0.25		PRODUCT SPEC: 108-2364	SOLDER TAIL
1 PLC ±0.15		APPLICATION SPEC: 114-13120	WITH EXTERNAL EMI SPRING
2 PLC ±0.15		SIZE: CAGE CODE DRAWING NO: A107799	RESTRICTED TO: -
3 PLC ±0.15		WEIGHT: -	SCALE: 2:1
4 PLC ±0.15		CUSTOMER DRAWING	SHEET 3 OF 3
ANGLES ±1°		FINISH: -	REV 1

X-ON Electronics

Largest Supplier of Electrical and Electronic Components

Click to view similar products for [I/O Connectors](#) category:

Click to view products by [TE Connectivity](#) manufacturer:

Other Similar products are found below :

[571763P](#) [D20419-211](#) [72.250.1628.2](#) [72.250.2428.2](#) [76.350.0729.0](#) [76871-1403](#) [PCR-E36PM](#) [PCS-XE26LKA](#) [PCS-XES68MS+](#)
[G38A71314B](#) [9776-18-6](#) [DX40-50P\(55\)](#) [1571250010](#) [157-22500-3](#) [MS3471L14-19P L/C](#) [192991-0703](#) [FCN-260C008-A/L0](#) [FCN-260C024-](#)
[AL0](#) [FCN-261Z008](#) [2000314-1](#) [200331-1](#) [PCS-E28FS+](#) [PCS-XE26SLFD+](#) [PCS-XE26SLFDT+](#) [G730VID08BDC24](#) [HDMR-29-01-S-SM-](#)
[TR](#) [HDRA-E68W1LFDTC-SL+](#) [54182-0605](#) [U90B2054081210](#) [UE86K842720321](#) [38113800006](#) [Z4.102.0680.0](#) [500-1040](#) [500-1052](#) [500-](#)
[1054](#) [ZP-4008-66L](#) [DX40-20P\(55\)](#) [5554841-1](#) [SM3100F14S-12P](#) [SM3106F14S-7S-LC](#) [SM3106R18-18S](#) [U90B3054061110](#) [U65-E04-4020](#)
[557-262M2-06C](#) [60-042222-02S](#) [10099439-003C-TRLF](#) [226-0348-000](#) [10137239-0021LF](#) [10137239-0011LF](#) [109029-ZZ](#)