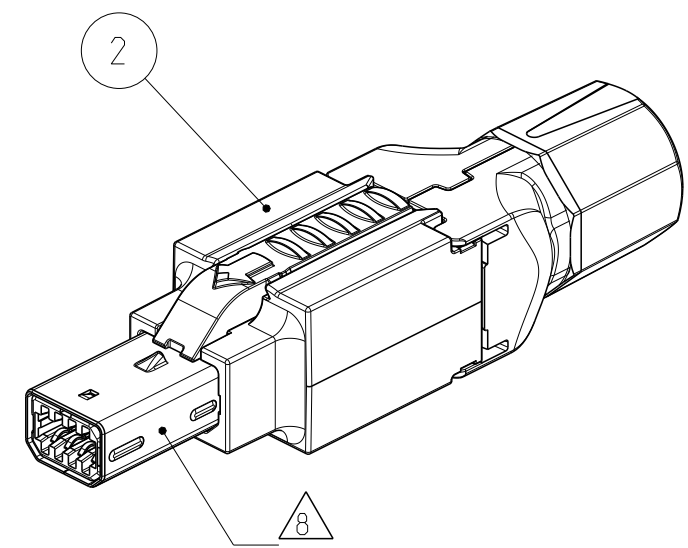
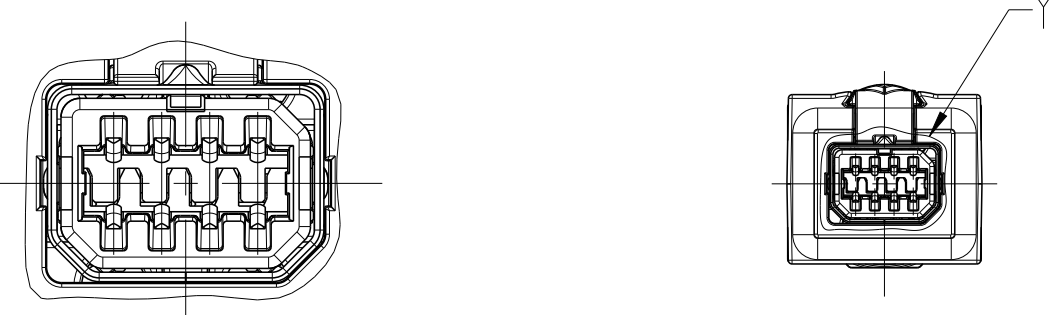


REVISIONS		DATE	OWN	APVD
NO.	DESCRIPTION			
A1	DRAWING ACTIVATED	21JUL2020	ER	JDB
A2	-2 AND 1--2 ACTIVATED PER PCN E-20-011324	11AUG2020	ER	JDB
B1	PCB IMPROVED PER PCN E-20-014492	15OCT2020	ER	JDB
B2	NOTE 8 ADDED	11NOV2020	SS	JDB

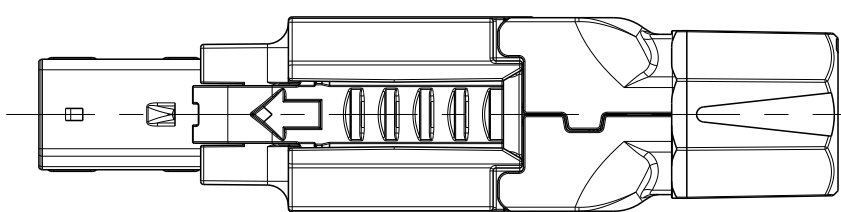
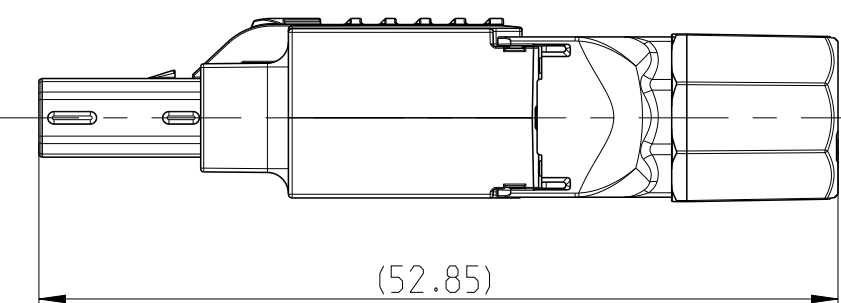
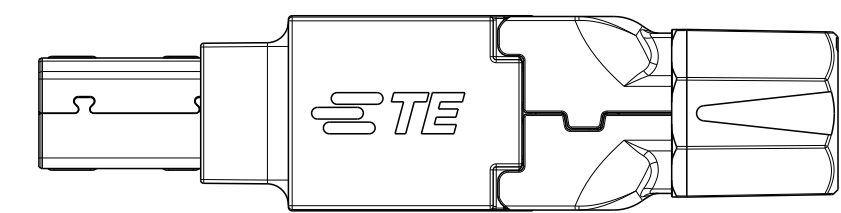
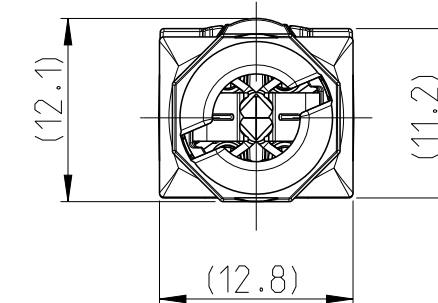
### TYPE II, U-SHAPE ASSEMBLY STATE

NOT SPECIFIED NOTES AND DIMENSIONS SEE -1

DETAIL Y  
TYPE II, D-SHAPE  
SCALE 5:1

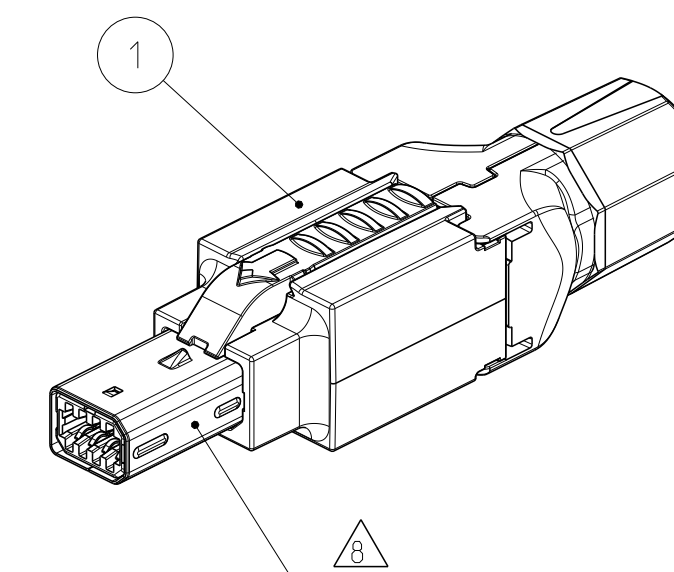
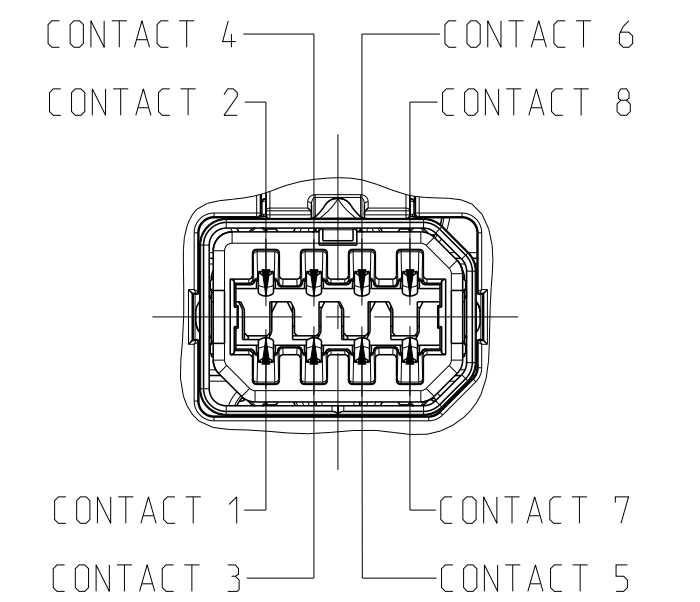
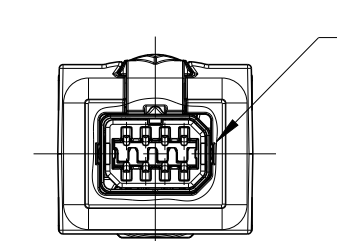


-2 AS SHOWN



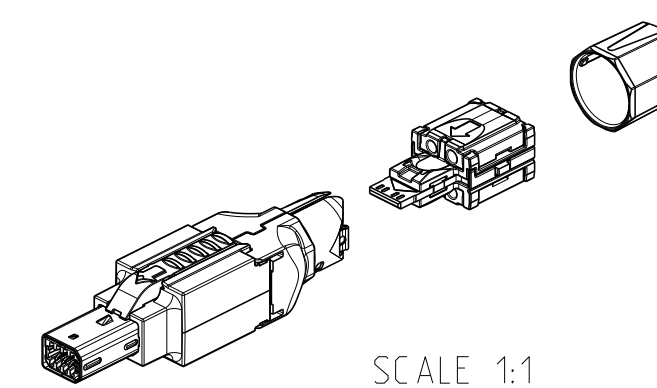
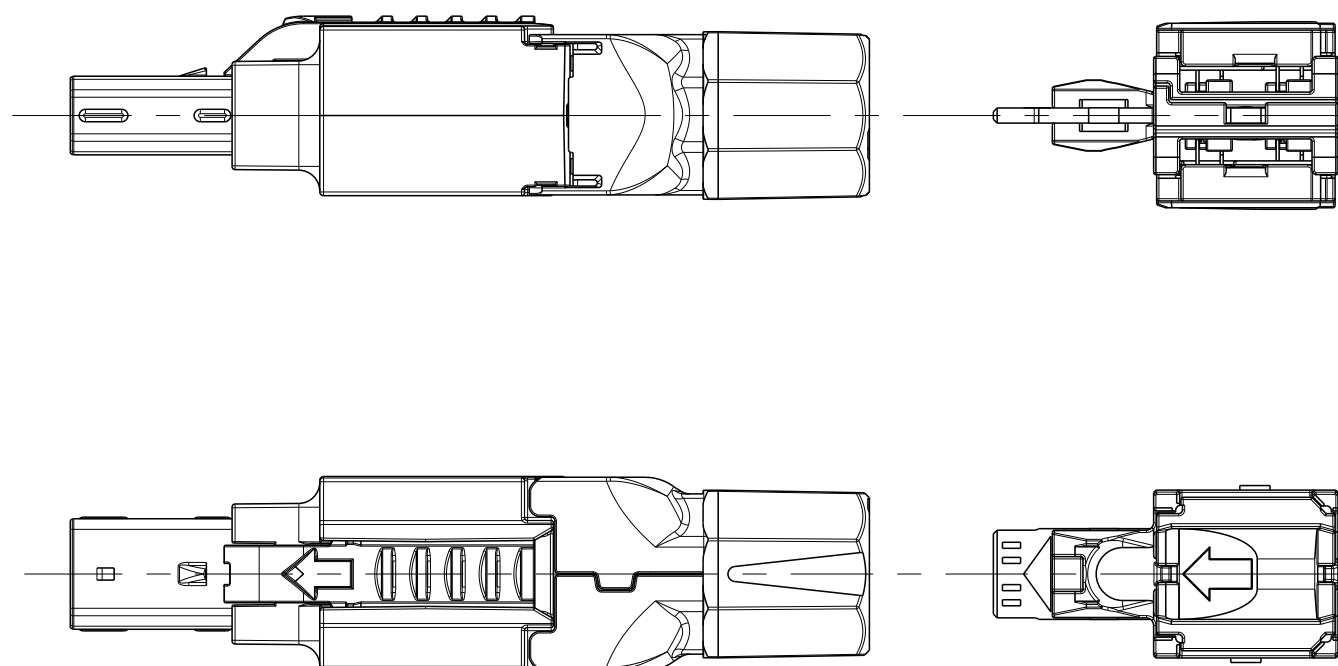
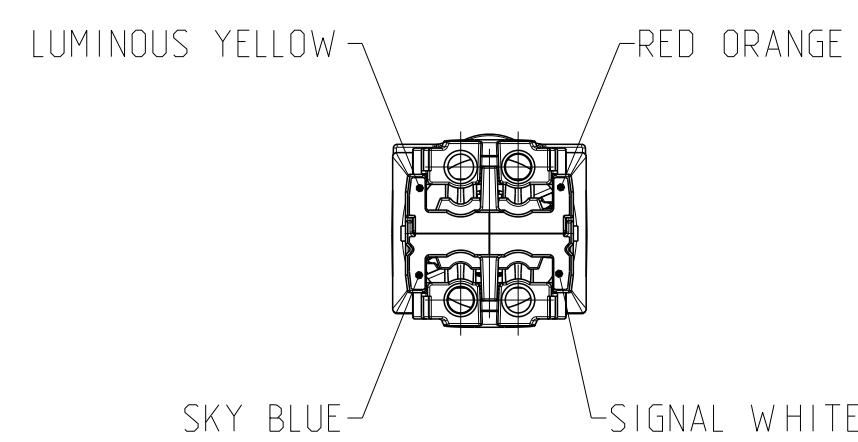
### TYPE I, D-SHAPE ASSEMBLY STATE

DETAIL X  
TYPE I, D-SHAPE  
SCALE 5:1



-1 AS SHOWN

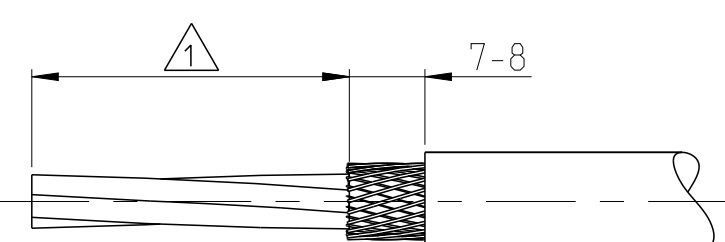
### DELIVERY STATE



SCALE 1:1

CABLE: 4 POS. AWG 22 STRANDED OR SOLID

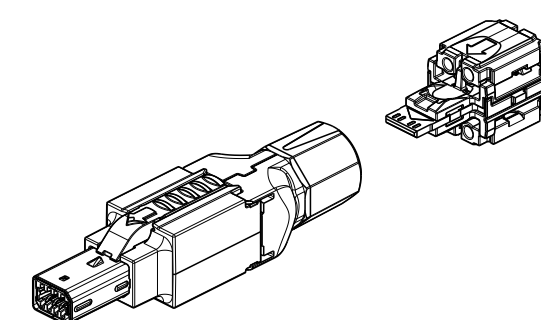
RECOMMENDED STRIPPING LENGTH



COLOR ALLOCATION OF MINI IO CONTACTS 4 POS. TYPE:

CONTACT NO.	WIRE COLOR
1	YELLOW
2	ORANGE
3	WHITE
6	BLUE

SCALE 1:1



- △ RECOMMENDED LENGTH OF DISMANTLED CABLE MIN. 40mm ACC. APPLICATION SPEC. 114-94602
- △ SINGLE PACKAGING: 1 PIECE OF EACH COMPONENT PACKED IN A FOLDING CARTON WITH AN INSTRUCTION SHEET. FOLDING CARTON PACKED IN A CORRUGATED SHIPPING BOX. SEE PACKAGING SPEC. 107-18136
- △ MULTI PACKAGING: PACKED IN A SMALL BOX AND SEPARATED BY AN CORRUGATED SPACER. 60 PIECES OF CONNECTORS ASSEMBLED WITH A BAYONET NUT AND 60 PIECES OF TERMINATION UNITS WITH ONE INSTRUCTION SHEET. SEE PACKAGING SPEC. 107-18136
- 5 APPLICATION SEE INSTRUCTION SHEET 408-18020
- 6 CABLE CROSS-SECTION AWG22: WIRE DIAMETER 1.4-1.6mm  
CABLE OUTSIDE-DIAMETER 4.6-MAX.5.7mm
- 7 CONNECTOR ACC. TO IEC61076-3-122. ISSUED 2018.  
CONNECTOR COMPATIBLE WITH MINI IO FAMILY
- △ COATED SURFACE (TOUCHING IS NOT RECOMMENDED TO AVOID REMOVAL OF COATING DURING HANDLING PROCESS)

QUANTITY	DESCRIPTION	SURFACE COLOUR	MATERIAL	POS.
1-2350278-2	MINI IO CONNECTOR CAT5e FI, 2x2 Pos., AWG 22, 180 DEG.; CABLE DIA. 5.7; WITH INSTRUCTION SHEET; TYPE II U-SHAPE / TIA 568A	-	-	2
6x60	12x12	-	-	-
-	-	6x60	12x12	1
-	MINI IO CONNECTOR CAT5e FI, 2x2 Pos., AWG 22, 180 DEG.; CABLE DIA. 5.7; WITH INSTRUCTION SHEET; TYPE I D-SHAPE / TIA 568A	-	-	-

### TE CONNECTIVITY ORDER-NO.

THIS DRAWING IS A CONTROLLED DOCUMENT. DIMENSIONING AND TOLERANCING PER GPS (ISO STANDARDS)		OWN: E. REISS 05MAR2019	TE Connectivity	
DIMENSIONS: MASSENHEITEN: mm		CHK: M. SZELAG 05MAR2019	APVD: DE BRUJN 05MAR2019	
TOLERANCES UNLESS OTHERWISE SPECIFIED: ALLE DIMENSIONEN		NAME: MINI IO CONNECTOR CAT5e FI, 2x2 POS., AWG 22, 180 DEG. MINI IO STECKER CAT5e FI, 2x2 POS., AWG 22, 180 DEG. CABLE DIA. 5.7		
0 PLC ±0.3		PRODUCT SPEC: 108-94740		
1 PLC ±0.3		APPLICATION SPEC: 114-94602		
2 PLC ±0.3		SIZE: A		
3 PLC ±0.3		CAGE CODE: 00779		
4 PLC ±0.3		DRAWING NO: 2350278		
ANGLES/ANWINKEL: °		RESTRICTED TO NEW PUR		
FINISH/SHOBEBLÄCHE/FARBE		WEIGHT: -		
MATERIAL: -		CUSTOMER DRAWING		
SCALE: MASSSTAB: 5:1		SHEET: 1 OF 1		
REV: 82				

TOLERANCING ISO 8015  
GEOMETRIC TOLERANCING ISO 1101  
SIZE ISO 14405  
GENERAL TOLERANCES ISO 2768-K

## X-ON Electronics

Largest Supplier of Electrical and Electronic Components

*Click to view similar products for [Modular Connectors](#) / [Ethernet Connectors](#) category:*

*Click to view products by [TE Connectivity](#) manufacturer:*

Other Similar products are found below :

[8949-H88/06BLKA/SN](#) [74441-0010/BKN](#) [PHP-6P6C-5](#) [GAX-3-66](#) [GAX-8-62](#) [GDCX-PN-66](#) [GLX-A-44](#) [GLX-N-1010M-BLK](#) [GMX-SMT4-N-88](#) [GSGX-N-2-88](#) [GSGX-N-4-88](#) [GSX-NS2-88-3.05](#) [GSX-NS-88-3.68](#) [PT-108A-8C-UL](#) [PTS-J531-8CS-50UL](#) [A-2014-0-4](#) [GWLX-S9-88-YG](#) [DC-1021-8-WH-6](#) [1300530003](#) [1324640-4](#) [RJ11FTVC2G](#) [RJ11FTVC2N](#) [RJFTVX2SA1G](#) [132764-001](#) [1413235](#) [MPS88RX-5000](#) [E5288-S000K3-L](#) [155302-001](#) [AX101050](#) [AX101063](#) [AX101065](#) [AX101072](#) [AX101307](#) [AX101315](#) [AX101318](#) [AX102271](#) [AX102288](#) [AX102651](#) [AX102660](#) [J0012D21NL](#) [J0026D01ENL](#) [PC4D0018P](#) [8949-B88/6](#) [2-6609208-5](#) [937-SP-3088-2PC-A192](#) [303066VFL](#) [303068V](#) [303088LFLSA](#) [303088SBL](#) [30-8603](#)