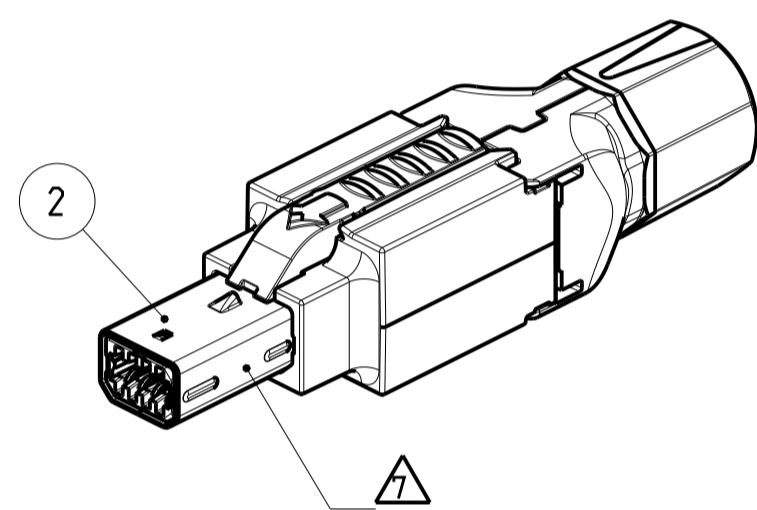
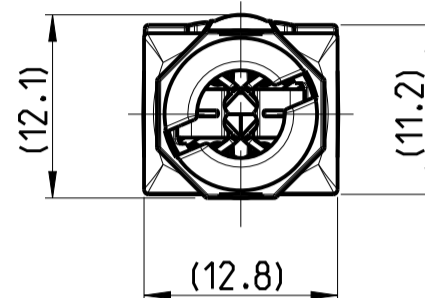
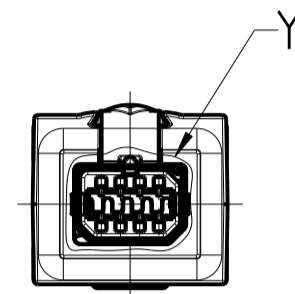
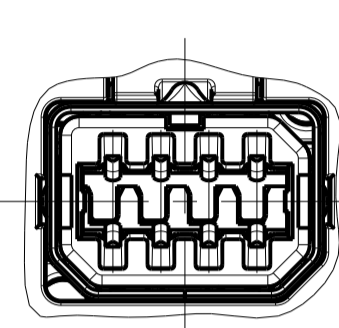


REVISIONS		DATE	DWN	APVD
P	LTR	DESCRIPTION		
1		NEW PRELIMINARY DRAWING	1FEB2020	ER JDB
A1		RELEASE TO PRODUCTION	19MAR2021	SS MSZ

TYPE II U-SHAPE ASSEMBLY STATE

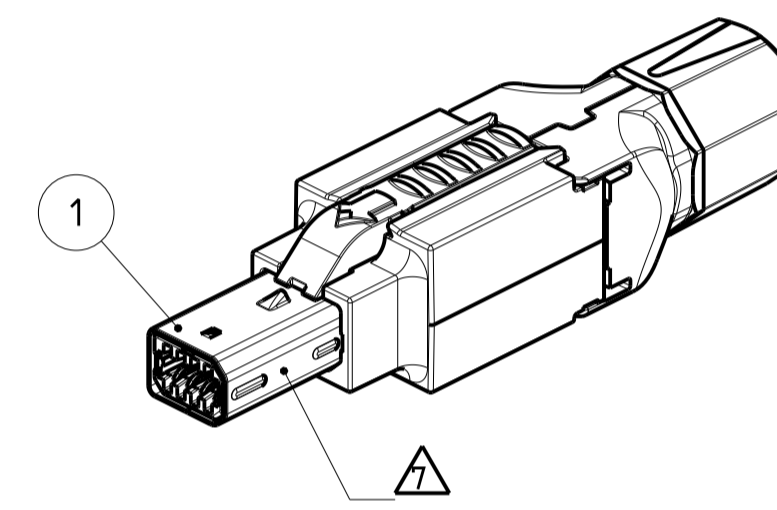
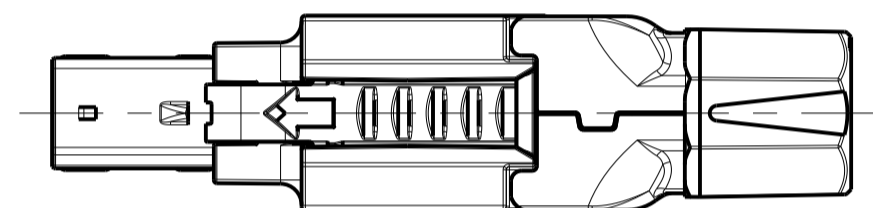
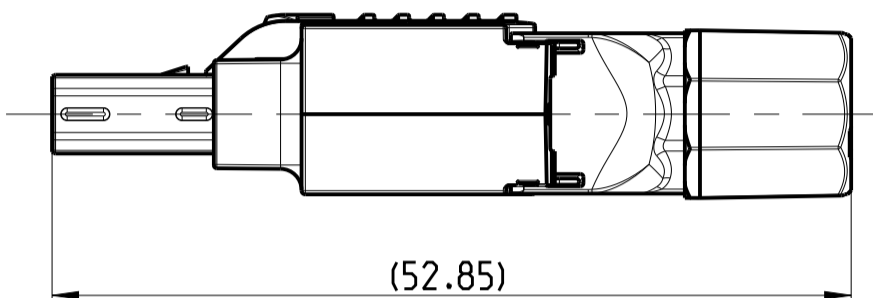
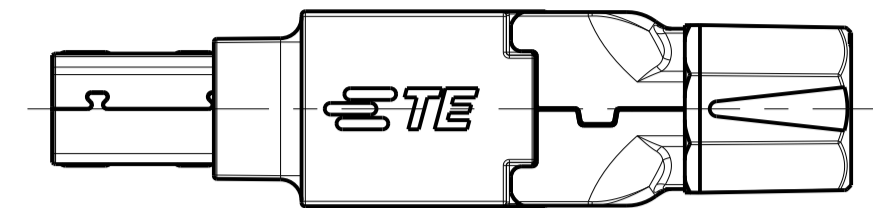
NOT SPECIFIED NOTES AND DIMENSIONS SEE -1

DETAIL Y
TYPE II, U-SHAPE
SCALE 5:1



-2 AS SHOWN

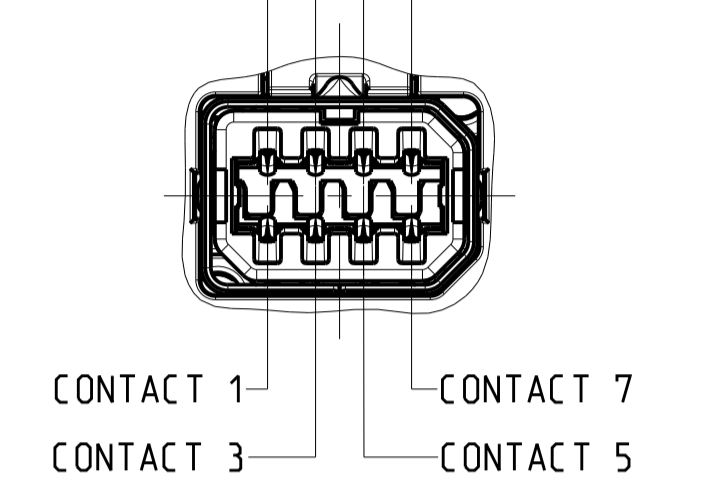
TYPE I, D-SHAPE ASSEMBLY STATE



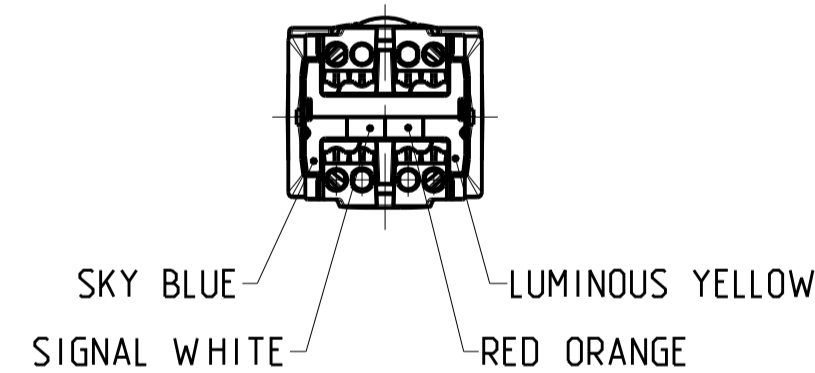
-1 AS SHOWN

DETAIL X
TYPE I, D-SHAPE
SCALE 5:1

CONTACT 4 CONTACT 6
CONTACT 2 CONTACT 8

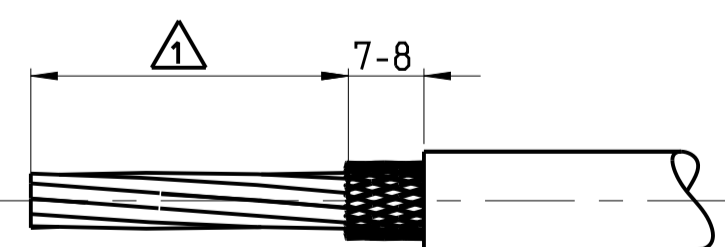


DELIVERY STATE



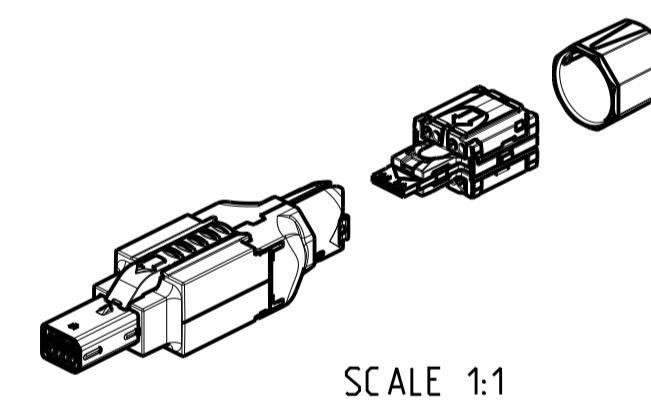
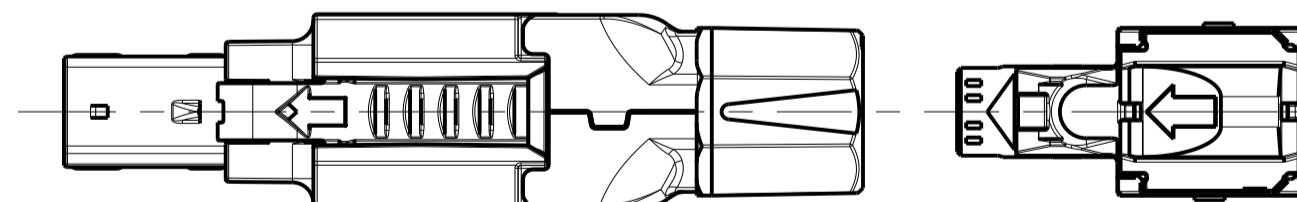
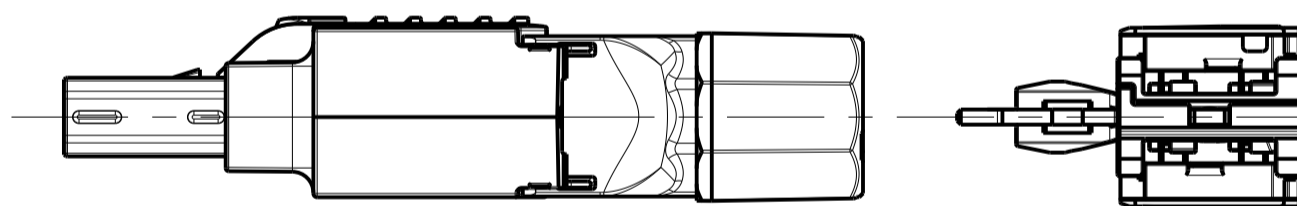
CABLE: 4 POS. AWG 26 STRANDED OR SOLID

RECOMMENDED STRIPPING LENGTH

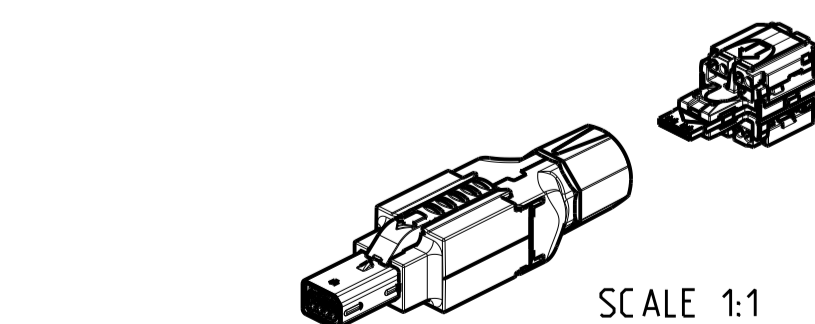


COLOR ALLOCATION OF MINI IO CONTACTS 4 POS. TYPE:

CONTACT NO.	WIRE COLOR
1	YELLOW
2	ORANGE
3	WHITE
6	BLUE



SCALE 1:1



SCALE 1:1

- △ RECOMMENDED LENGTH OF DISMANTLED CABLE MIN. 40mm ACC. APPLICATION SPEC. 114-94602
- △ SINGLE PACKAGING: 1 PIECE OF EACH COMPONENT PACKED IN A FOLDING CARTON WITH AN INSTRUCTION SHEET FOLDING CARTON PACKED IN A CORRUGATED SHIPPING BOX. SEE PACKAGING APC. 107-18136
- △ MULTI PACKAGING: PACKED IN A SMALL BOX AND SEPARATED BY AN CORRUGATED SPACER. 60 PIECES OF CONNECTOR ASSEMBLED WITH A BAYONET NUT AND 60 PIECES OF TERMINATION UNITS WITH ONE INSTRUCTION SHEET. SEE PACKAGING SPEC. 107-18136
- 4 APPLICATION SEE INSTRUCTION SHEET 408-18020-2
- 5 WIRE SIZE AWG 26: OUTSIDE DIAMETER 0.90-1.20mm CABLE OUTSIDE-DIAMETER 4.6 - MAX. 5.7
- 6 CONNECTOR ACC. TO IEC 61076-3-122, ISSUED 2018. CONNECTOR COMPATIBLE WITH MINI IO FAMILY
- △ COATED SURFACE (TOUCHING IS NOT RECOMMENDED TO AVOID REMOVAL OF COATING DURING HANDLING PROCESS)

NOT TOOLED YET	NOT TOOLED YET			TE CONNECTIVITY ORDER-NO.		
1-2350304-2	2350304-2	1-2350304-1	2350304-1	6x60	12x12	2
				-	-	1
QUANTITY				DESCRIPTION		POS.
				MINI IO CONNECTOR Cat5e Fi. 2x2 Pos., AWG 24/26, 180 DEG.; CABLE DIA. 5.7; WITH INSTRUCTION SHEET; TYPE II U-SHAPE / TIA 568A		2
				MINI IO CONNECTOR Cat5e Fi. 2x2 Pos., AWG 24/26, 180 DEG.; CABLE DIA. 5.7; WITH INSTRUCTION SHEET; TYPE I D-SHAPE / TIA 568A		1
				SURFACE COLOUR	MATERIAL	

TOLERANCING ISO 8015
GEOMETRIC TOLERANCING ISO 1101
SIZE ISO 14405
GENERAL TOLERANCES ISO 2768-K

THIS DRAWING IS A CONTROLLED DOCUMENT. DIMENSIONING AND TOLERANCING PER GPS (ISO STANDARDS)		DWN E. REISS 1FEB2020	TE Connectivity	
TOLERANCES UNLESS OTHERWISE SPECIFIED: ALLEGEMEINERLEISTUNG		CHK M. SZELAG 1FEB2020	APVD J. DE BRUIJN 1FEB2020	
DIMENSIONS: MASSENMETER: mm		NAME MINI IO CONNECTOR Cat5e Fi. 2x2 POS., AWG 24/26, 180 DEG. CABLE DIA. 5.7		
TOLERANCES UNLESS OTHERWISE SPECIFIED: 0 PLC ±0.3 1 PLC ±0.3 2 PLC ±0.3 3 PLC ±0.3 4 PLC ±0.3 ANGLES/RAIEN: 45° T IN SWIRBFLÄCHE/FÄHRE		PRODUCT SPEC 108-94740 APPLICATION SPEC 114-94602		
MATERIAL		SIZE CAGE CODE DRAWING NO. 00779 2350304		
		WEIGHT GEWICHT		
		CUSTOMER DRAWING /KUNDENZEICHNUNG SCALE MASSSTAB 5:1 SHEET BLATT 1 OF 1 REV A1		

X-ON Electronics

Largest Supplier of Electrical and Electronic Components

Click to view similar products for [I/O Connectors](#) category:

Click to view products by [TE Connectivity](#) manufacturer:

Other Similar products are found below :

[571763P](#) [D20419-211](#) [72.250.1628.2](#) [72.250.2428.2](#) [74720-0505](#) [76.350.0729.0](#) [76871-1403](#) [FCN-244F080-G/1](#) [FCN-260A9920](#) [MP-5T180MUNNA-005](#) [PCR-E36PM](#) [PCS-XE26MA+](#) [G38A71314B](#) [1571250010](#) [157-22500-3](#) [MS3471L14-19P L/C](#) [172501-4002](#) [172501-6002](#) [FCN-260C008-A/L0](#) [FCN-260C024-AL0](#) [FCN-261Z008](#) [2000314-1](#) [200331-1](#) [PCR-E36FC+](#) [PCS-E28FS+](#) [PCS-XE26SLFD+](#) [PCS-XE26SLFDT+](#) [G730VID08BDC24](#) [HDMR-29-01-S-SM-TR](#) [U90B2054081210](#) [UE86K842720321](#) [38113800006](#) [DP3AR020WQ1R200](#) [Z4.102.0680.0](#) [500-1040](#) [500-1052](#) [500-1054](#) [ZP-4008-66L](#) [0709821002](#) [5554841-1](#) [U90B3054061110](#) [U65-E04-4020](#) [ZPF00000000097891](#) [557-262M2-06C](#) [747360449](#) [10099439-003C-TRLF](#) [10137239-0021LF](#) [E9320-001-01](#) [10137239-0011LF](#) [70289-001LF](#)