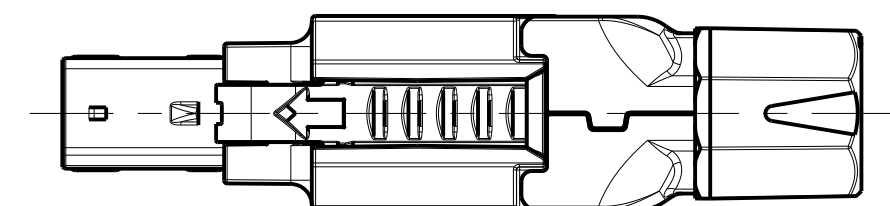
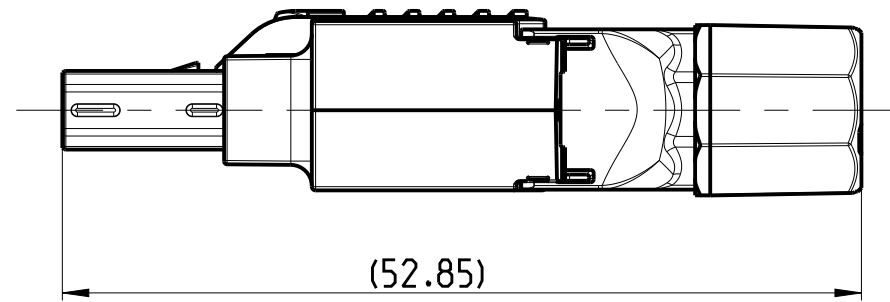
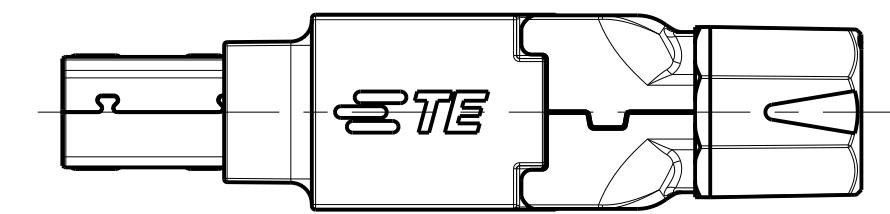
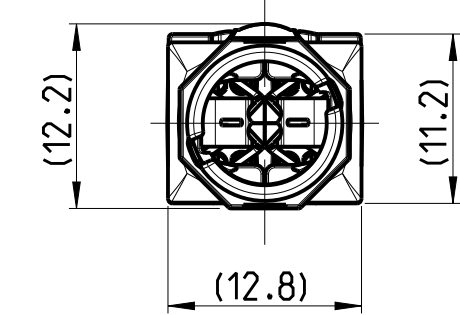
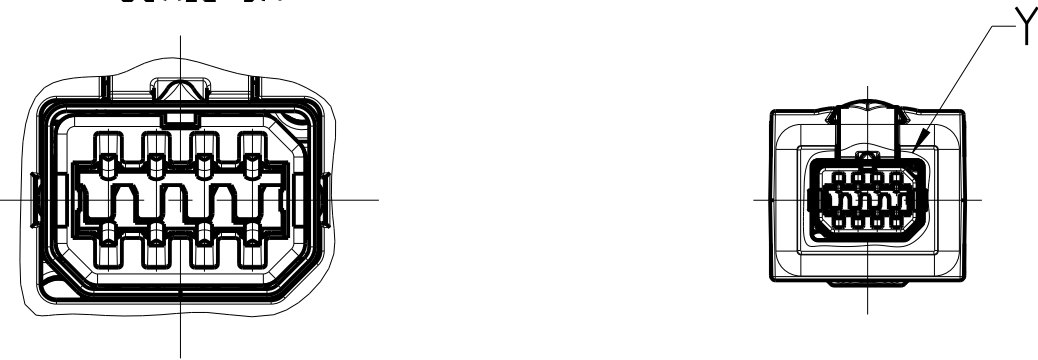


REVISIONS		DATE	DWN	APVD
P	LTR	DESCRIPTION		
1		NEW PRELIMINARY DRAWING	06FEB2020	ER JDB
2		PACKAGING REVISED	12MAR2020	ER JDB
A1		RELEASE TO PRODUCTION	19MAR2021	SS MSZ

TYPE II U-SHAPE ASSEMBLY STATE

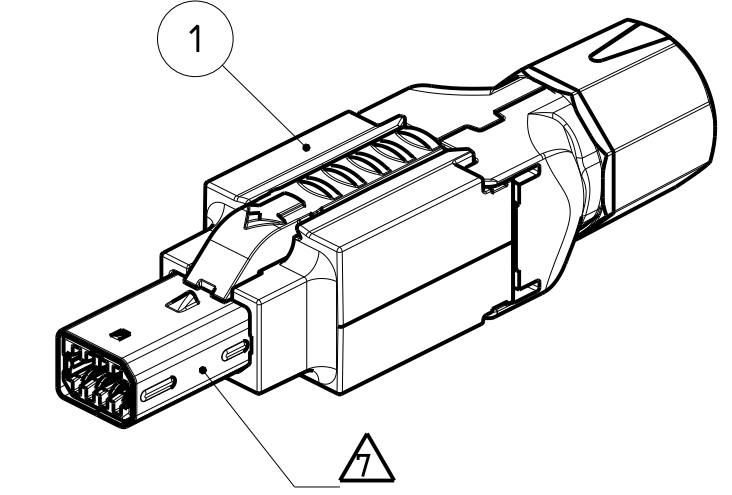
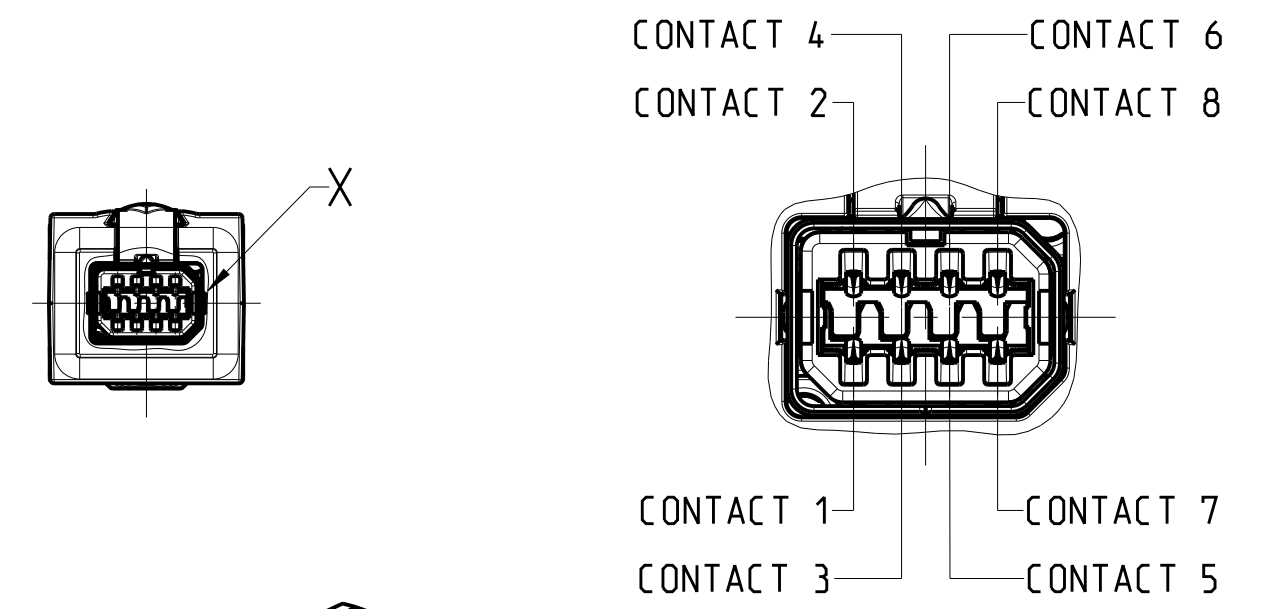
NOT SPECIFIED NOTES AND DIMENSIONS SEE -1

DETAIL Y
TYPE II, U-SHAPE
SCALE 5:1



TYPE I, D-SHAPE ASSEMBLY STATE

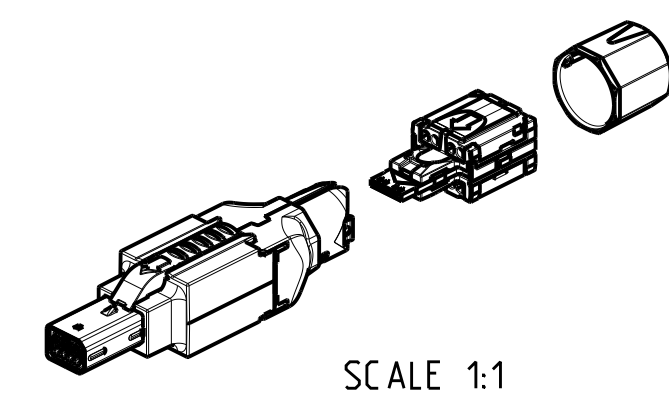
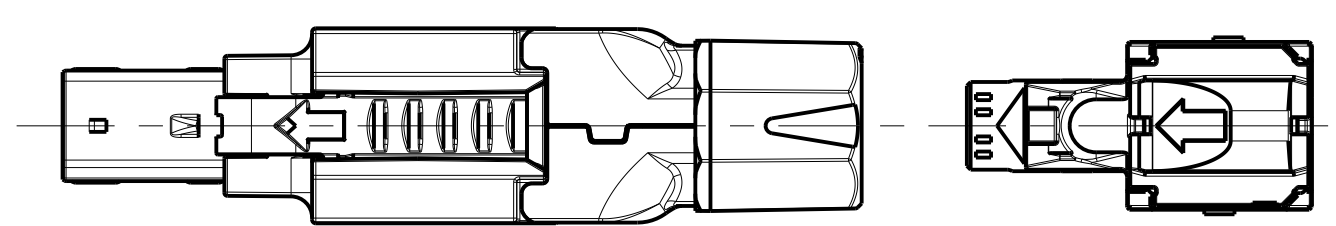
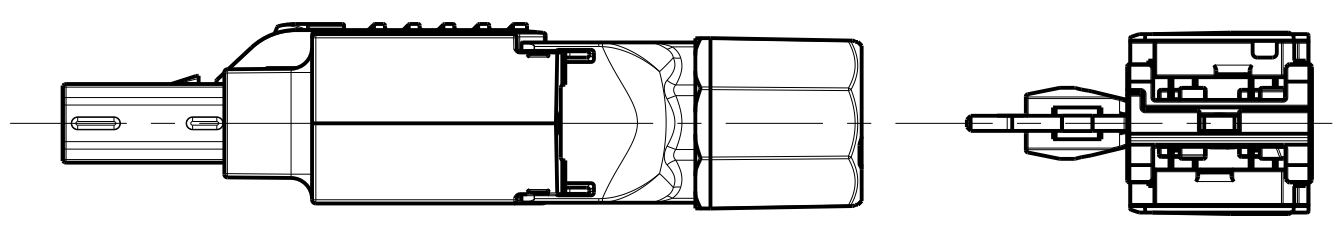
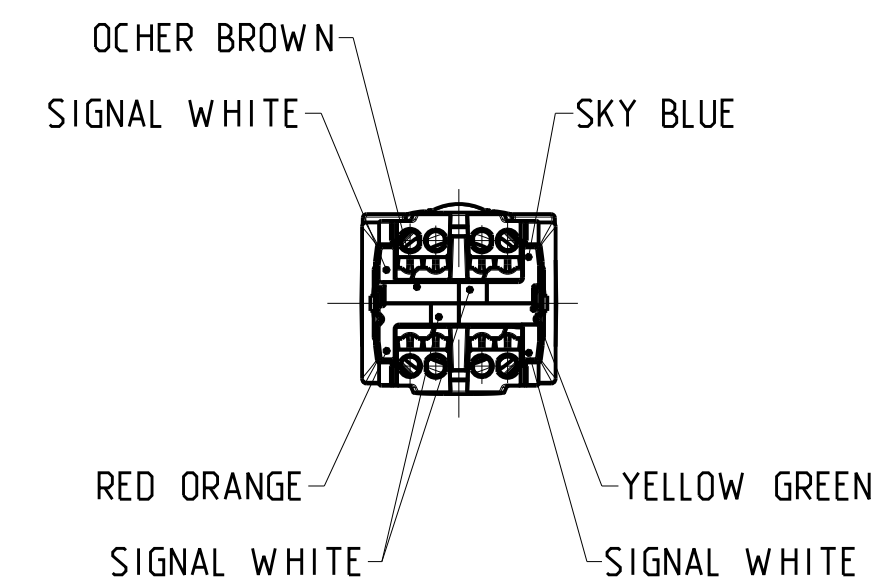
DETAIL X
TYPE I, D-SHAPE
SCALE 5:1



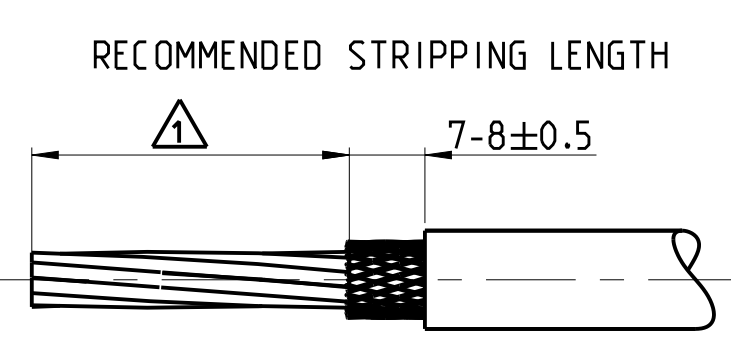
-1 AS SHOWN

-2 AS SHOWN

DELIVERY STATE

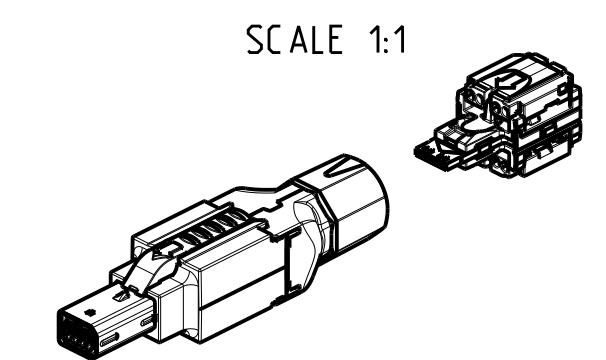


CABLE: 8 POS. AWG 24-26 STRANDED OR SOLID



COLOR ALLOCATION OF MINI IO CONTACTS 8 POS. TYPE:

CONTACT NO.	WIRE COLOR
1	WHITE/GREEN
2	GREEN
3	WHITE/ORANGE
4	BLUE
5	WHITE/BLUE
6	ORANGE
7	WHITE/BROWN
8	BROWN



- △ RECOMMENDED LENGTH OF DISMANTLED CABLE MIN. 40mm ACC. APPLICATION SPEC. 114-94602
- △ SINGLE PACKAGING: 1 PIECE OF EACH COMPONENT PACKED IN A FOLDING CARTON WITH AN INSTRUCTION SHEET FOLDING CARTON PACKED IN A CORRUGATED SHIPPING BOX. SEE PACKAGING APC. 107-18136
- △ MULTI PACKAGING: PACKED IN A SMALL BOX AND SEPARATED BY AN CORRUGATED SPACER. 60 PIECES OF CONNCTOR ASSEMBLED WITH A BAYONET NUT AND 60 PIECES OF TERMINATION UNITS WITH ONE INSTRUCTION SHEET. SEE PACKAGING SPEC. 107-18136
- 4 APPLICATION SEE INSTRUCTION SHEET 408-18020-3
- 5 WIRE SIZE AWG 24/26: OUTSIDE DIAMETER 0.90-1.20mm CABLE OUTSIDE-DIAMETER 6.0 - MAX. 8.1mm
- 6 CONNECTOR ACC. TO IEC 61076-3-122, ISSUED 2018. CONNECTOR COMPATIBLE WITH MINI IO FAMILY
- △ COATED SURFACE (TOUCHING IS NOT RECOMMENDED TO AVOID REMOVAL OF COATING DURING HANDLING PROCESS)

NOT TOOLED YET	NOT TOOLED YET			TE CONNECTIVITY ORDER-NO.			
1-2350310-2	2350310-2	1-2350310-1	2350310-1	MINI IO CONNECTOR Cat6A FI, 4x2 Pos., AWG 24/26, 180 DEG.; CABLE DIA. 8.1; WITH INSTRUCTION SHEET; TYPE II, D-SHAPE / TIA 568A	-	-	2
6x60	12x12	-	-	MINI IO CONNECTOR Cat6A FI, 4x2 Pos., AWG 24/26, 180 DEG.; CABLE DIA. 8.1; WITH INSTRUCTION SHEET; TYPE I, D-SHAPE / TIA 568A	-	-	1
QUANTITY				DESCRIPTION	SURFACE COLOUR	MATERIAL	POS.

TOLERANCING ISO 8015
GEOMETRIC TOLERANCING ISO 1101
SIZE ISO 14405
GENERAL TOLERANCES ISO 2768-K

THIS DRAWING IS A CONTROLLED DOCUMENT. DIMENSIONING AND TOLERANCING PER GPS (ISO STANDARDS)

DATE: 06FEB2020
DWN: E. REISS
CHK: M. SZELAG
APVD: J. DE BRUIJN

TE Connectivity

NAME: MINI IO CONNECTOR Cat6A FI, 4x2 POS., AWG 24/26, 180 DEG. CABLE DIA. 8.1
PRODUCT SPEC: 108-94740
APPLICATION SPEC: 114-94602

SIZE: A | CAGE CODE: 00779 | DRAWING NO: 2350310 | RESTRICTED TO: NBR FUER

CUSTOMER DRAWING / KUNDENZEICHNUNG | SCALE: 2:1 | SHEET: 1 OF 1 | REV: A1

X-ON Electronics

Largest Supplier of Electrical and Electronic Components

Click to view similar products for [I/O Connectors](#) category:

Click to view products by [TE Connectivity](#) manufacturer:

Other Similar products are found below :

[571763P](#) [D20419-211](#) [72.250.1628.2](#) [72.250.2428.2](#) [74720-0505](#) [76.350.0729.0](#) [76871-1403](#) [FCN-244F080-G/1](#) [FCN-260A9920](#) [MP-5T180MUNNA-005](#) [PCR-E36PM](#) [PCS-XE26MA+](#) [G38A71314B](#) [1571250010](#) [157-22500-3](#) [MS3471L14-19P L/C](#) [172501-4002](#) [172501-6002](#) [FCN-260C008-A/L0](#) [FCN-260C024-AL0](#) [FCN-261Z008](#) [2000314-1](#) [200331-1](#) [PCR-E36FC+](#) [PCS-E28FS+](#) [PCS-XE26SLFD+](#) [PCS-XE26SLFDT+](#) [G730VID08BDC24](#) [HDMR-29-01-S-SM-TR](#) [U90B2054081210](#) [UE86K842720321](#) [38113800006](#) [DP3AR020WQ1R200](#) [Z4.102.0680.0](#) [500-1040](#) [500-1052](#) [500-1054](#) [ZP-4008-66L](#) [0709821002](#) [5554841-1](#) [U90B3054061110](#) [U65-E04-4020](#) [ZPF00000000097891](#) [557-262M2-06C](#) [747360449](#) [10099439-003C-TRLF](#) [10137239-0021LF](#) [E9320-001-01](#) [10137239-0011LF](#) [70289-001LF](#)