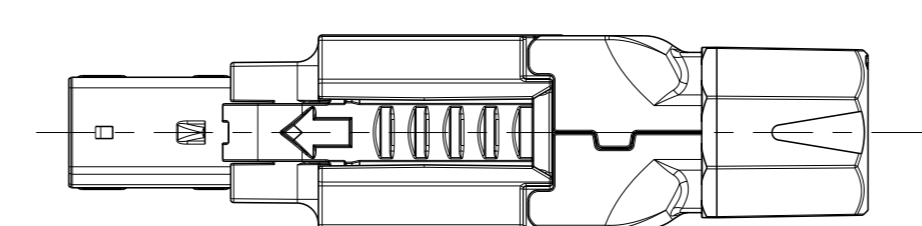
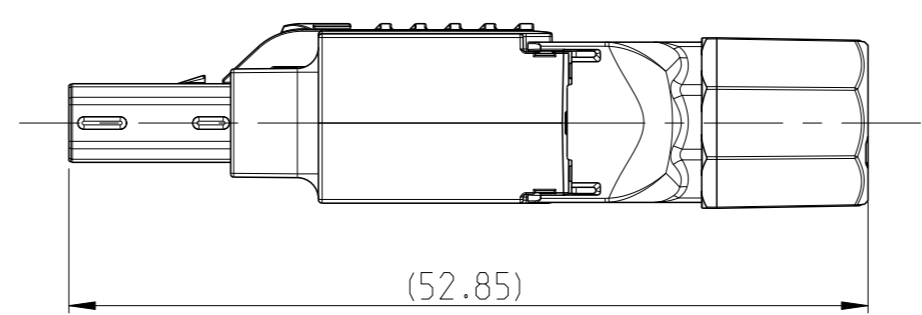
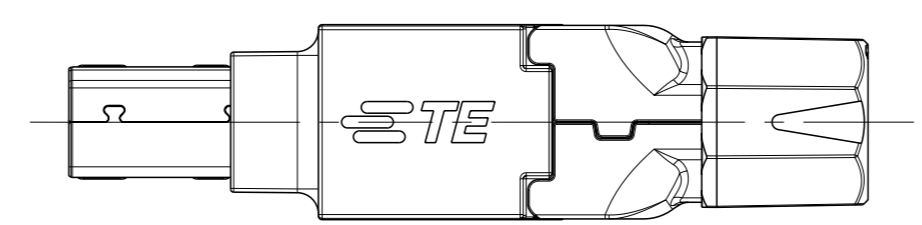
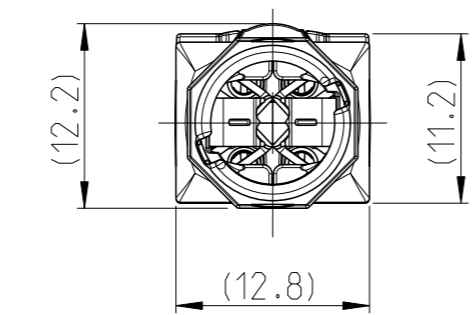
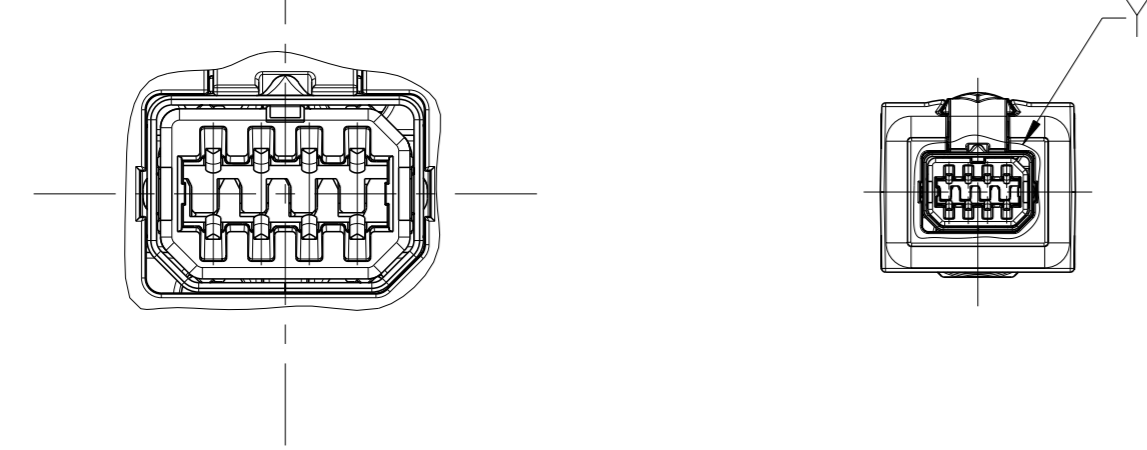


|                               |     |                         |           |     |      |
|-------------------------------|-----|-------------------------|-----------|-----|------|
| PROJECT NO.: PRJ-19-000900271 |     | REVISIONS               |           |     |      |
| #                             | LYR | DESCRIPTION             | DATE      | OWN | APVD |
| 1                             |     | NEW PRELIMINARY DRAWING | 02APR2020 | ER  | JDB  |
| 2                             |     | DRAWING UPDATED         | 12AUG2020 | ER  | JDB  |
| A1                            |     | DRAWING ACTIVATED       | 30NOV2020 | SS  | JDB  |

### TYPE II, U-SHAPE ASSEMBLY STATE

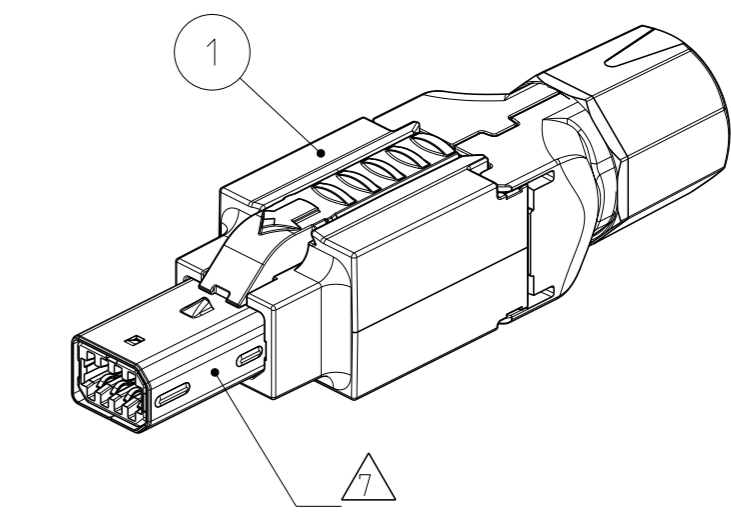
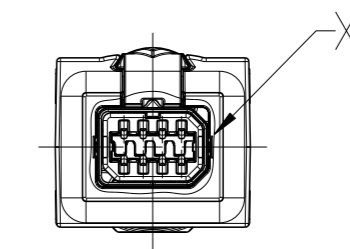
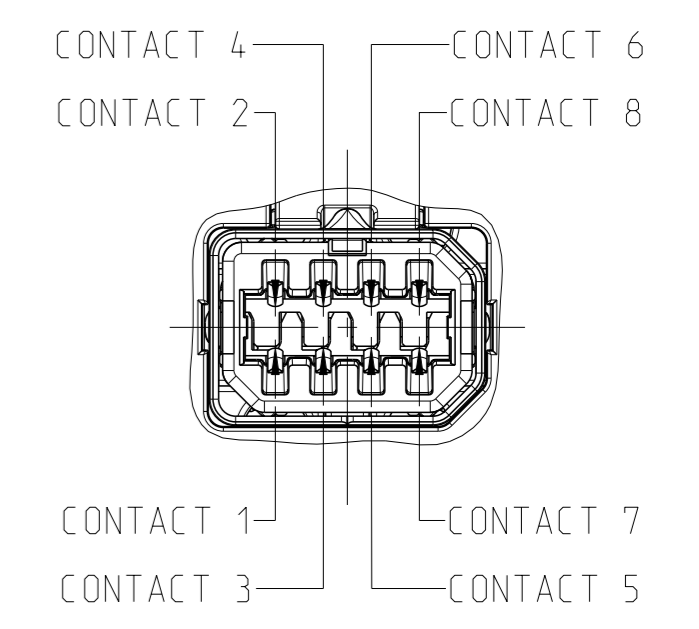
NOT SPECIFIED NOTES AND DIMENSIONS SEE -1

**DETAIL Y**  
TYPE II, D-SHAPE  
SCALE 5:1

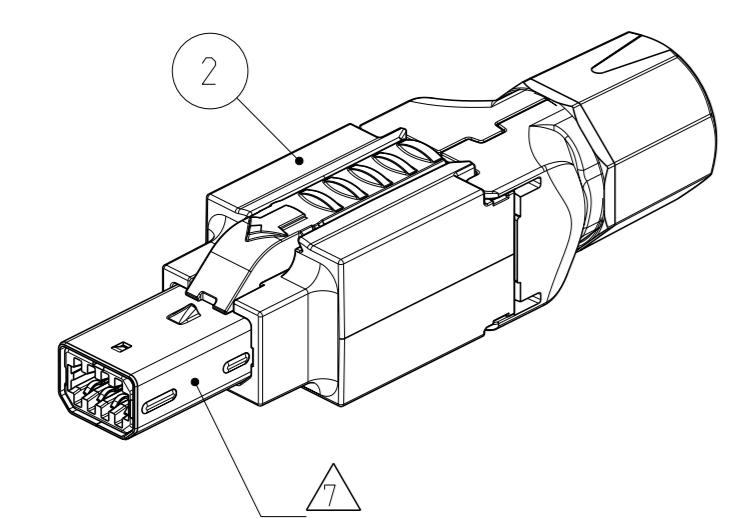


### TYPE I, D-SHAPE ASSEMBLY STATE

**DETAIL X**  
TYPE I, D-SHAPE  
SCALE 5:1

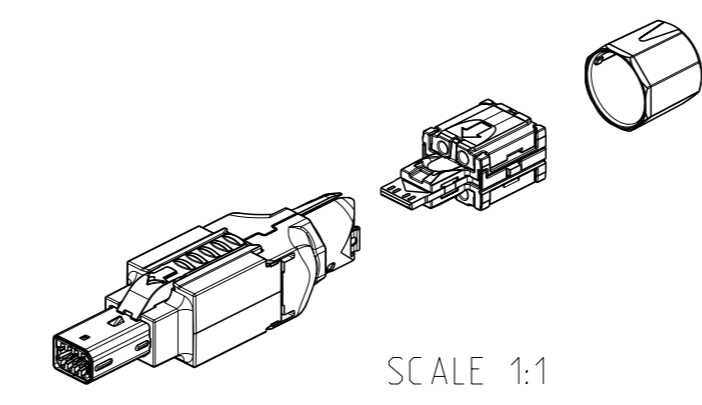
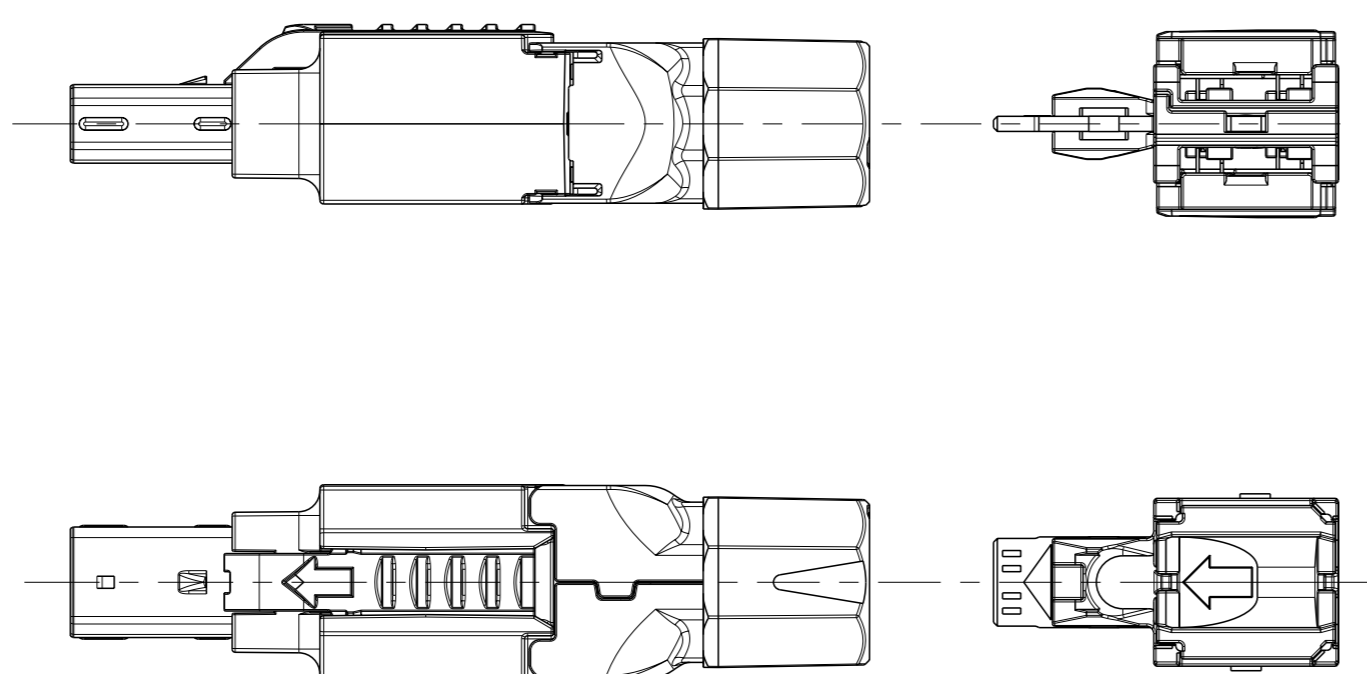
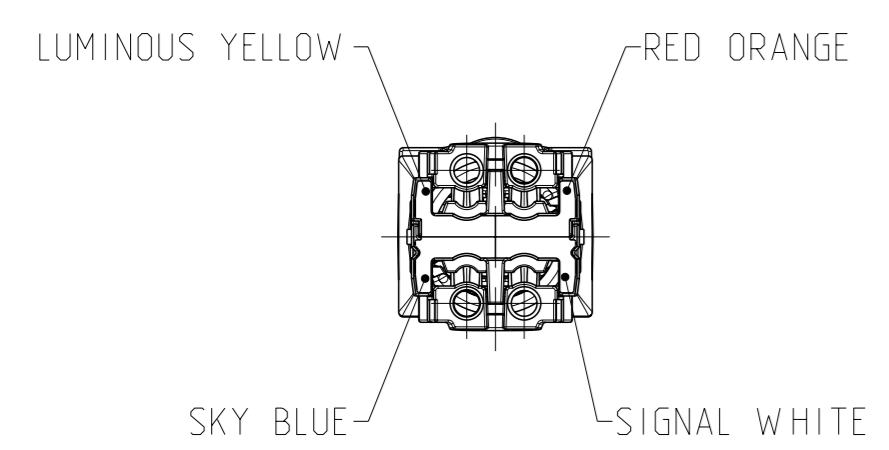


-1 AS SHOWN



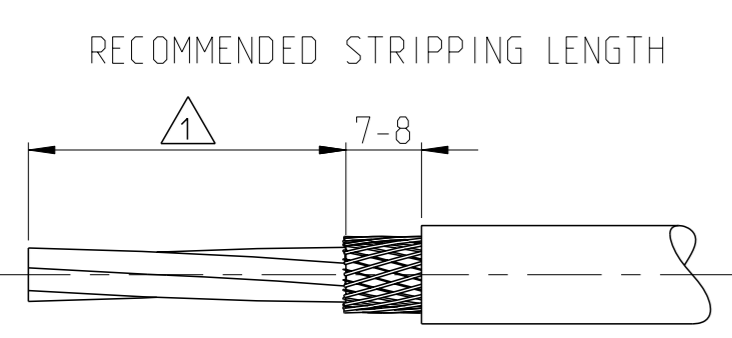
-2 AS SHOWN

### DELIVERY STATE



- ⚠️ RECOMMENDED LENGTH OF DISMANTLED CABLE MIN. 40mm ACC. APPLICATION SPEC. 114-94602
- ⚠️ SINGLE PACKAGING: 1 PIECE OF EACH COMPONENT PACKED IN A FOLDING CARTON WITH AN INSTRUCTION SHEET. FOLDING CARTON PACKED IN A CORRUGATED SHIPPING BOX. SEE PACKAGING SPEC. 107-18136
- ⚠️ MULTI PACKAGING: PACKED IN A SMALL BOX AND SEPARATED BY AN CORRUGATED SPACER. 60 PIECES OF CONNECTORS ASSEMBLED WITH A BAYONET NUT AND 60 PIECES OF TERMINATION UNITS WITH ONE INSTRUCTION SHEET. SEE PACKAGING SPEC. 107-18136
- 4 APPLICATION SEE INSTRUCTION SHEET 408-18020
- 5 CABLE CROSS-SECTION AWG22: WIRE DIAMETER 1.4-1.6mm  
CABLE OUTSIDE-DIAMETER 6.5-MAX. 8.1mm
- 6 CONNECTOR ACC. TO IEC61076-3-122. ISSUED 2018.  
CONNECTOR COMPATIBLE WITH MINI IO FAMILY
- ⚠️ COATED SURFACE (TOUCHING IS NOT RECOMMENDED TO AVOID REMOVAL OF COATING DURING HANDLING PROCESS)

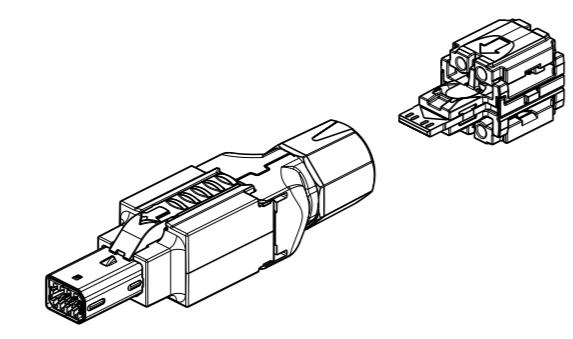
CABLE: 4 POS. AWG 22 STRANDED OR SOLID



COLOR ALLOCATION OF MINI IO CONTACTS 4 POS. TYPE:

| CONTACT NO. | WIRE COLOR |
|-------------|------------|
| 1           | YELLOW     |
| 2           | ORANGE     |
| 3           | WHITE      |
| 6           | BLUE       |

SCALE 1:1



| 1-2350323-2 | 2350323-2 | 1-2350323-1 | 2350323-1 | TE CONNECTIVITY ORDER-NO.  | QUANTITY | DESCRIPTION | SURFACE COLOUR | MATERIAL | POS. |
|-------------|-----------|-------------|-----------|--|----------|-------------|----------------|----------|------|
| 6x60        | 12x12     | -           | -         | MINI IO CONNECTOR CAT5e FI, 2x2 Pos., AWG 22, 180 DEG.; CABLE DIA. 8.1; WITH INSTRUCTION SHEET. TYPE II U-SHAPE / TIA 568A | -        | -           | -              | -        | 2    |
| -           | -         | 6x60        | 12x12     | MINI IO CONNECTOR CAT5e FI, 2x2 Pos., AWG 22, 180 DEG.; CABLE DIA. 8.1; WITH INSTRUCTION SHEET. TYPE I D-SHAPE / TIA 568A  | -        | -           | -              | -        | 1    |

TOLERANCING ISO 8015  
GEOMETRIC TOLERANCING ISO 1101  
SIZE ISO 14405  
GENERAL TOLERANCES ISO 2768-K

THIS DRAWING IS A CONTROLLED DOCUMENT. DIMENSIONING AND TOLERANCING PER GPS (ISO STANDARDS)

TE CONNECTIVITY

DATE: 02APR2020  
DRAWN: E. REISS  
CHECKED: M. SZELAG  
APPROVED: J. DE BRUIJN

NAME: MINI IO CONNECTOR CAT5e FI, 2x2 POS., AWG 22, 180 DEG.  
PRODUCT SPEC: 108-94740  
CABLE DIA. 8.1

SIZE: A1  
CAGE CODE: 00779  
DRAWING NO.: 2350323

RESTRICTED TO NEW USER

CUSTOMER DRAWING / KUNDENZEICHNUNG SCALE: 5:1 SHEET: 1 OF 1 REV: A1

## X-ON Electronics

Largest Supplier of Electrical and Electronic Components

*Click to view similar products for [Modular Connectors](#) / [Ethernet Connectors](#) category:*

*Click to view products by [TE Connectivity](#) manufacturer:*

Other Similar products are found below :

[8949-H88/06BLKA/SN](#) [74441-0010/BKN](#) [PHP-6P6C-5](#) [GAX-3-66](#) [GAX-8-62](#) [GDCX-PN-66](#) [GLX-A-44](#) [GLX-N-1010M-BLK](#) [GMX-SMT4-N-88](#) [GSGX-N-2-88](#) [GSGX-N-4-88](#) [GSX-NS2-88-3.05](#) [GSX-NS-88-3.68](#) [PT-108A-8C-UL](#) [PTS-J531-8CS-50UL](#) [A-2014-0-4](#) [GWLX-S9-88-YG](#) [DC-1021-8-WH-6](#) [1300530003](#) [1324640-4](#) [RJ11FTVC2G](#) [RJ11FTVC2N](#) [RJFTVX2SA1G](#) [132764-001](#) [1413235](#) [MPS88RX-5000](#) [E5288-S000K3-L](#) [155302-001](#) [AX101050](#) [AX101063](#) [AX101065](#) [AX101072](#) [AX101307](#) [AX101315](#) [AX101318](#) [AX102271](#) [AX102288](#) [AX102651](#) [AX102660](#) [J0012D21NL](#) [J0026D01ENL](#) [PC4D0018P](#) [8949-B88/6](#) [2-6609208-5](#) [937-SP-3088-2PC-A192](#) [303066VFL](#) [303068V](#) [303088LFLSA](#) [303088SBL](#) [30-8603](#)