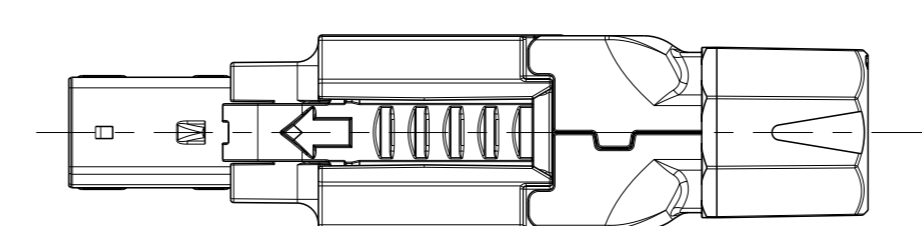
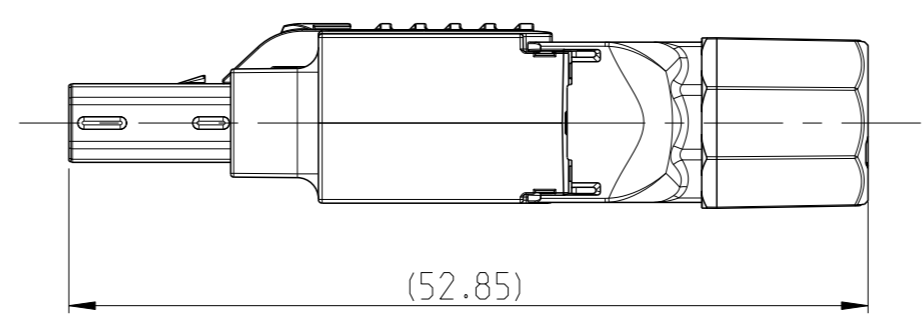
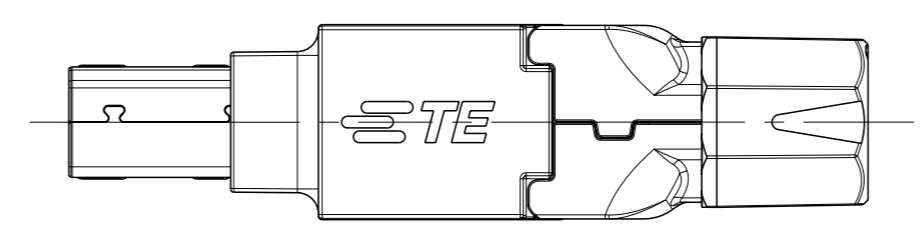
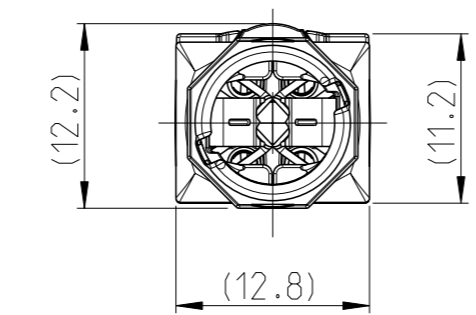
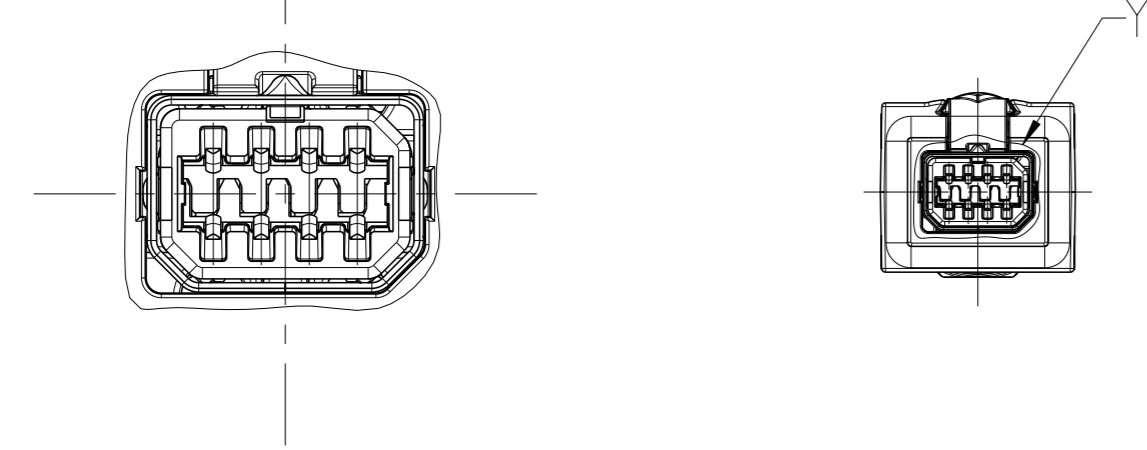


PROJECT NO.		REVISIONS				
PRJ-19-000900271		NO.	DESCRIPTION	DATE	OWN	APVD
1	NEW PRELIMINARY DRAWING	02APR2020	ER	JDB		
2	DRAWING UPDATED	12AUG2020	ER	JDB		
A1	DRAWING ACTIVATED	30NOV2020	SS	JDB		

TYPE II, U-SHAPE ASSEMBLY STATE

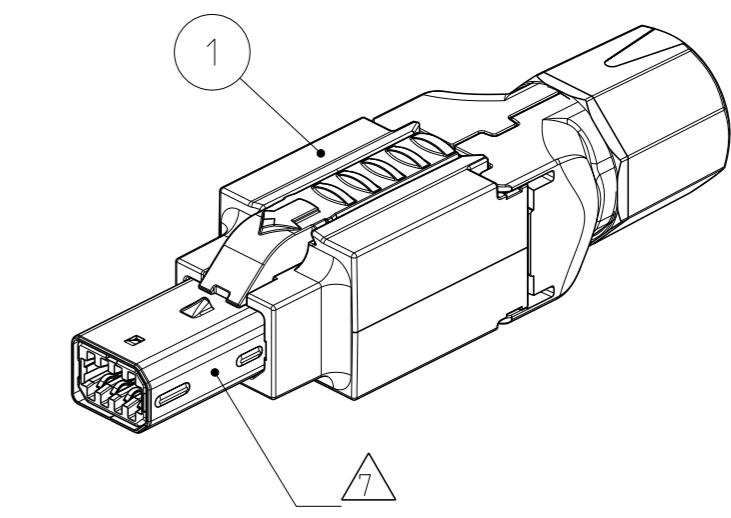
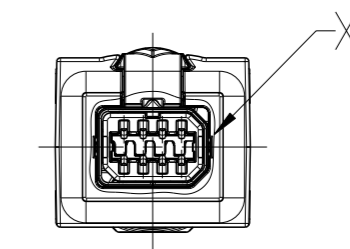
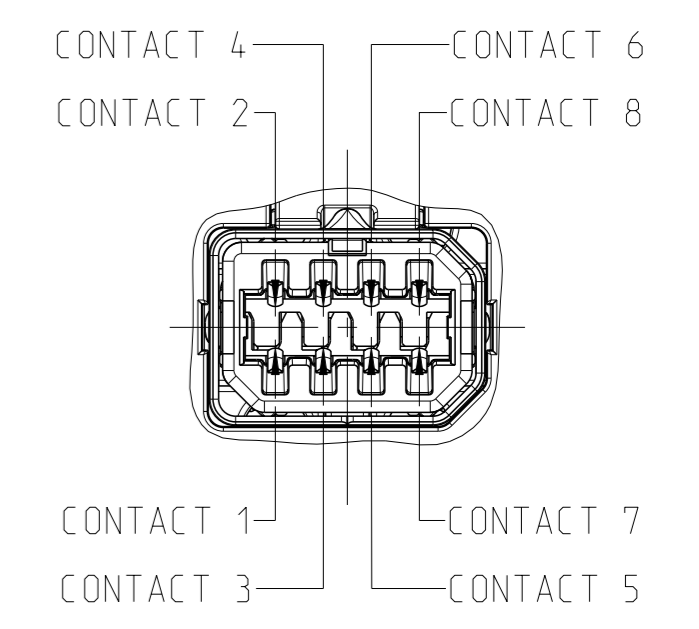
NOT SPECIFIED NOTES AND DIMENSIONS SEE -1

DETAIL Y
TYPE II, D-SHAPE
SCALE 5:1

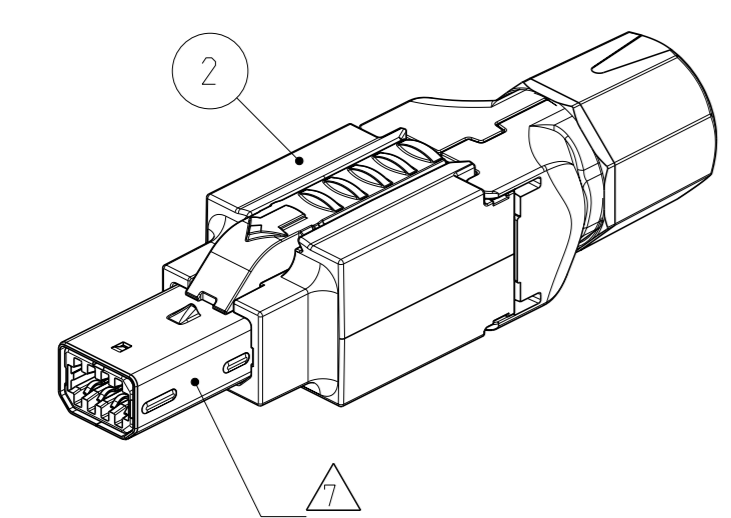


TYPE I, D-SHAPE ASSEMBLY STATE

DETAIL X
TYPE I, D-SHAPE
SCALE 5:1

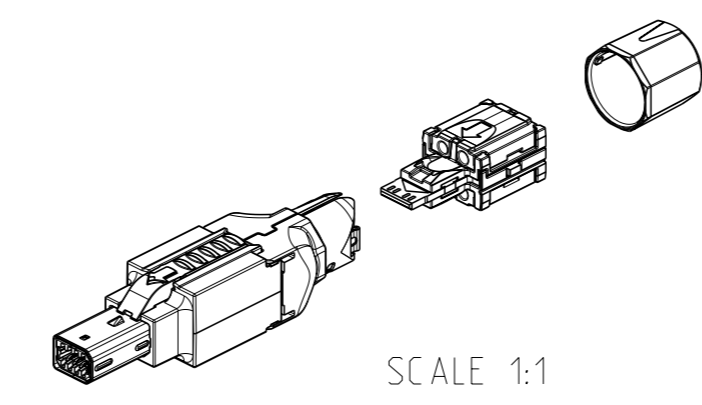
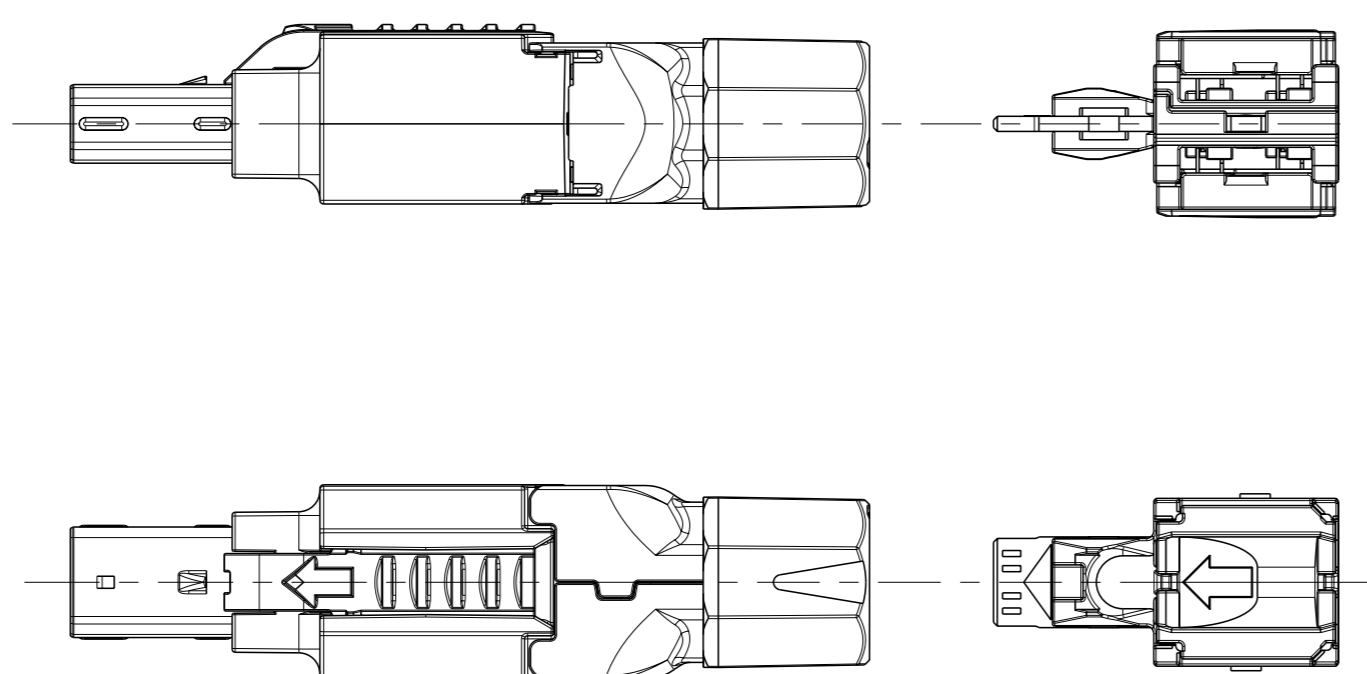
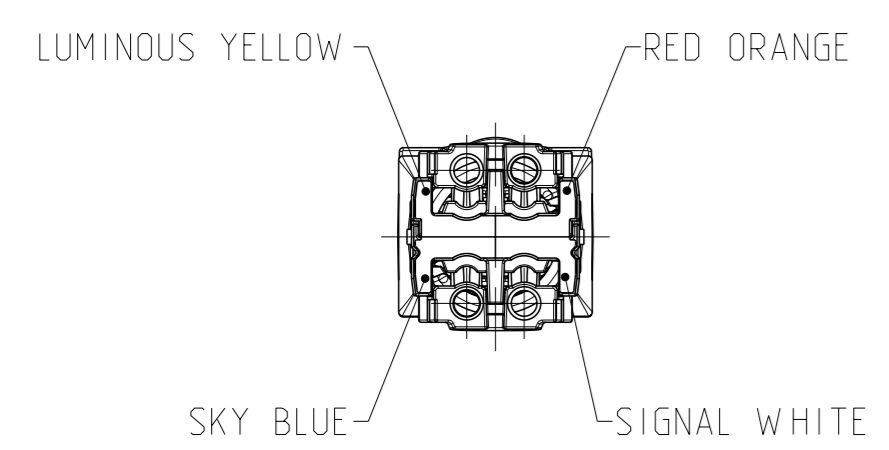


-1 AS SHOWN



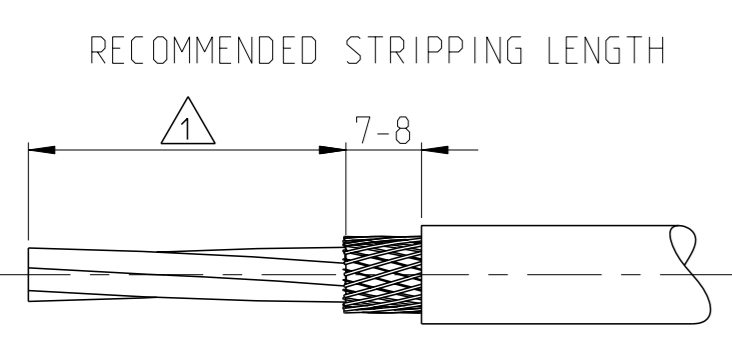
-2 AS SHOWN

DELIVERY STATE



- ⚠️ RECOMMENDED LENGTH OF DISMANTLED CABLE MIN. 40mm ACC. APPLICATION SPEC. 114-94602
- ⚠️ SINGLE PACKAGING: 1 PIECE OF EACH COMPONENT PACKED IN A FOLDING CARTON WITH AN INSTRUCTION SHEET. FOLDING CARTON PACKED IN A CORRUGATED SHIPPING BOX. SEE PACKAGING SPEC. 107-18136
- ⚠️ MULTI PACKAGING: PACKED IN A SMALL BOX AND SEPARATED BY AN CORRUGATED SPACER. 60 PIECES OF CONNECTORS ASSEMBLED WITH A BAYONET NUT AND 60 PIECES OF TERMINATION UNITS WITH ONE INSTRUCTION SHEET. SEE PACKAGING SPEC. 107-18136
- 4 APPLICATION SEE INSTRUCTION SHEET 408-18020
- 5 CABLE CROSS-SECTION AWG22: WIRE DIAMETER 1.4-1.6mm
CABLE OUTSIDE-DIAMETER 6.5-MAX. 8.1mm
- 6 CONNECTOR ACC. TO IEC61076-3-122. ISSUED 2018.
CONNECTOR COMPATIBLE WITH MINI IO FAMILY
- ⚠️ COATED SURFACE (TOUCHING IS NOT RECOMMENDED TO AVOID REMOVAL OF COATING DURING HANDLING PROCESS)

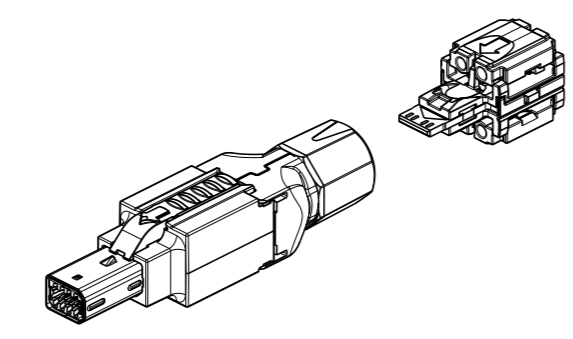
CABLE: 4 POS. AWG 22 STRANDED OR SOLID



COLOR ALLOCATION OF MINI IO CONTACTS 4 POS. TYPE:

CONTACT NO.	WIRE COLOR
1	YELLOW
2	ORANGE
3	WHITE
6	BLUE

SCALE 1:1



TE CONNECTIVITY ORDER-NO.				QUANTITY	DESCRIPTION	SURFACE COLOUR	MATERIAL	POS.
1-2350323-2	2350323-2	1-2350323-1	2350323-1	6x60	12x12	-	-	2
				-	-	6x60	12x12	1
				MINI IO CONNECTOR CAT5e FI, 2x2 Pos., AWG 22, 180 DEG.; CABLE DIA. 8.1; WITH INSTRUCTION SHEET. TYPE II U-SHAPE / TIA 568A				
				MINI IO CONNECTOR CAT5e FI, 2x2 Pos., AWG 22, 180 DEG.; CABLE DIA. 8.1; WITH INSTRUCTION SHEET. TYPE I D-SHAPE / TIA 568A				

TOLERANCING ISO 8015
GEOMETRIC TOLERANCING ISO 1101
SIZE ISO 14405
GENERAL TOLERANCES ISO 2768-K

THIS DRAWING IS A CONTROLLED DOCUMENT. DIMENSIONING AND TOLERANCING PER GPS (ISO STANDARDS)

TE CONNECTIVITY

DATE: 02APR2020
DRAWING NO: 114-94602
SCALE: 5:1

REVISIONS: 1, 2, A1

APPROVED: E. REISS, M. SZELAG, J. DE BRUIJN

PRODUCT SPEC: 108-94740

APPLICATION SPEC: 114-94602

SIZE: A1
CAGE CODE: 00779
DRAWING NO: 2350323

RESTRICTED TO: NUR FÜR

SHEET: 1 OF 1

X-ON Electronics

Largest Supplier of Electrical and Electronic Components

Click to view similar products for [Modular Connectors / Ethernet Connectors](#) category:

Click to view products by [TE Connectivity](#) manufacturer:

Other Similar products are found below :

[8949-H88/06BLKA/SN](#) [74441-0010/BKN](#) [PHP-6P6C-5](#) [GAX-3-66](#) [GAX-8-62](#) [GDCX-PN-66](#) [GLX-A-44](#) [GLX-N-1010M-BLK](#) [GMX-SMT4-N-88](#) [GSGX-N-2-88](#) [GSGX-N-4-88](#) [GSX-NS2-88-3.05](#) [GSX-NS-88-3.68](#) [PT-108A-8C-UL](#) [PTS-J531-8CS-50UL](#) [A-2014-0-4](#) [GWLX-S9-88-YG](#) [DC-1021-8-WH-6](#) [1300530003](#) [1324640-4](#) [RJ11FTVC2G](#) [RJ11FTVC2N](#) [RJFTVX2SA1G](#) [132764-001](#) [1413235](#) [MPS88RX-5000](#) [E5288-S000K3-L](#) [155302-001](#) [AX101050](#) [AX101063](#) [AX101065](#) [AX101072](#) [AX101307](#) [AX101315](#) [AX101318](#) [AX102271](#) [AX102288](#) [AX102651](#) [AX102660](#) [J0012D21NL](#) [J0026D01ENL](#) [PC4D0018P](#) [8949-B88/6](#) [2-6609208-5](#) [937-SP-3088-2PC-A192](#) [303066VFL](#) [303068V](#) [303088LFLSA](#) [303088SBL](#) [30-8603](#)